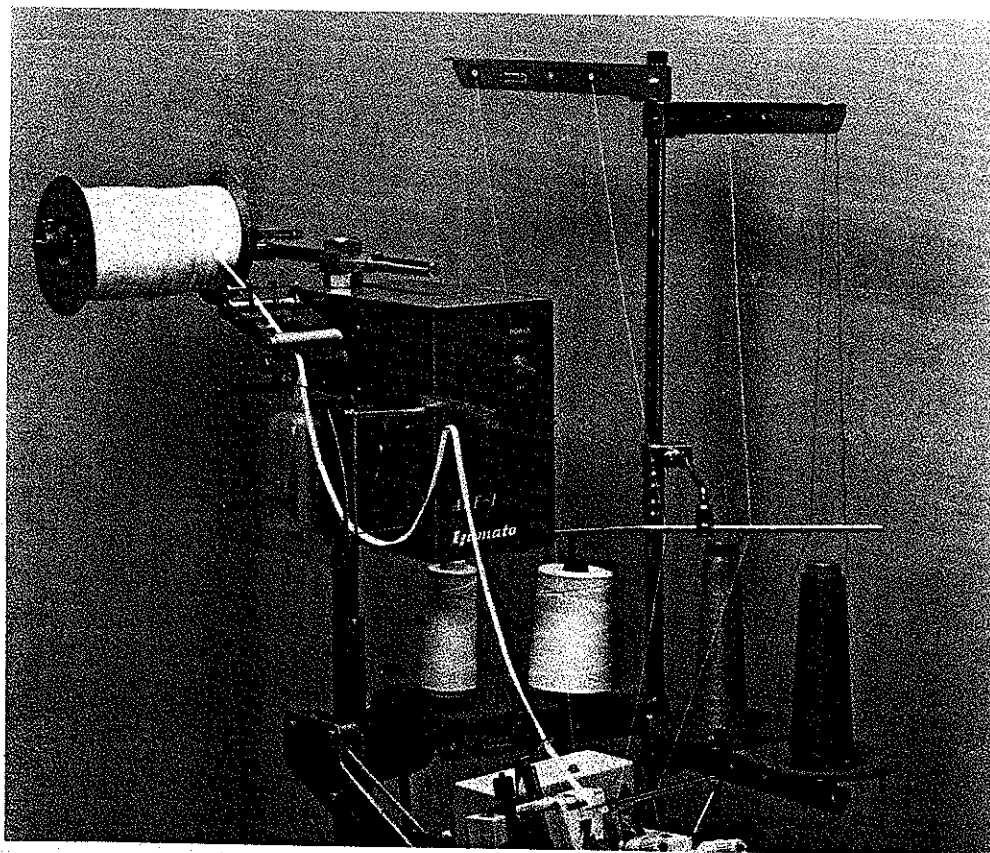


Yamato[®]

INSTRUCTIONS AND PARTS LIST

“AEF-1” DEVICE



YAMATO SEWING MACHINE MFG. CO., LTD.

I N T R O D U C T I O N

This Instruction Pamphlet has been prepared for all users of "AEF" Device, the production of Yamato Sewing Machine Mfg. Co., Ltd., Japan.

By this booklet, you will be versed in the superior quality of the Device and we are confident of brilliant success in your garment business.

C O N T E N T S

	<u>Page</u>
1. Assembling and Fitting of "AEF" Device	1
2. Setting of Elastic Tape	2
3. Electrical Specifications	
3 - 1 Voltage and Motor	3
3 - 2 Connection of Power Cord	3
3 - 3 Other Suggestion	3
4. Adjustment	
4 - 1 Switch Lever	4
4 - 2 Prevention of Static Electricity	4
5. Parts List	5

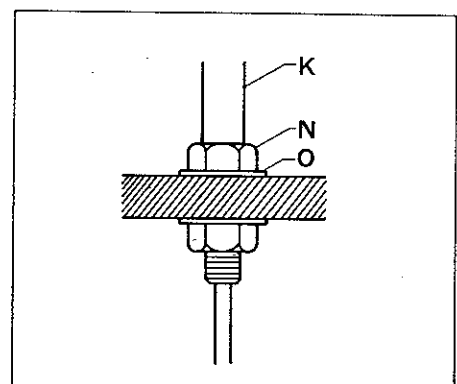
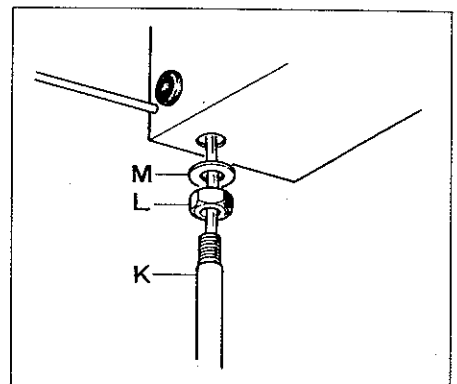
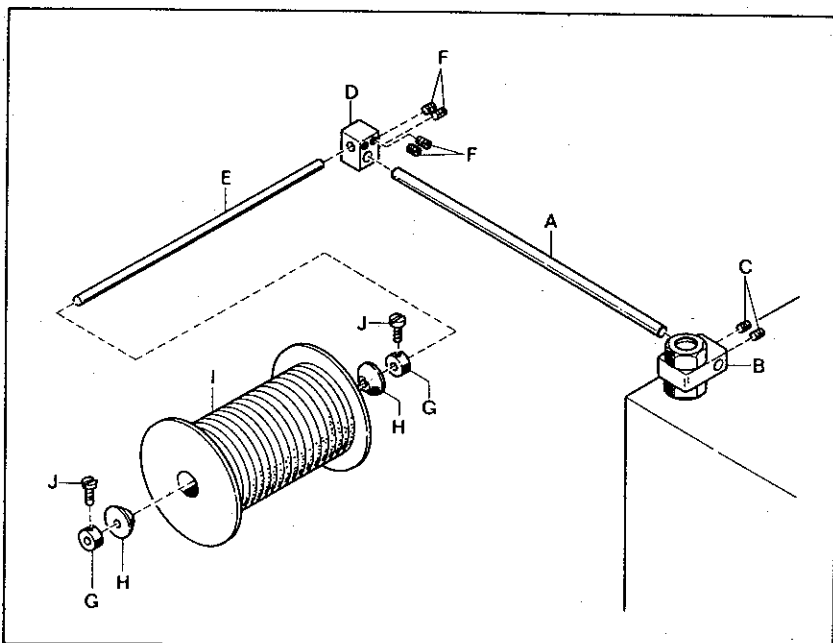
1. Assembling and Fitting of "AEF" Device

Parts relative to Device will have been removed on the convenience of packing, so assemble them according to the following order for operation.

- 1) Insert the Tape Roll Positioning Shaft (A) into Tape Roll Positioning (B), then tighten Screw (C) when the end of (A) coming out of (B) about 10 mm..
- 2) Insert other end of (A) into bigger one of Holes on Tape Guide Shaft Connection (D) and Tape Roll Guide Shaft (E) into smaller hole respectively. Then, tighten Screw (F) when both points of (A) and (E) come out of (D) about 10 mm..
- 3) On the Guide Shaft (E), slip Tape Roll Guide Collar (G), Tape Roll Guide (H), Tape Roll (I), another Tape Roll Guide and Guide Roller in order.

Adjust the position of Guide Collar (G) for smooth rotation of Tape Roll (I), and tighten Screw (J).

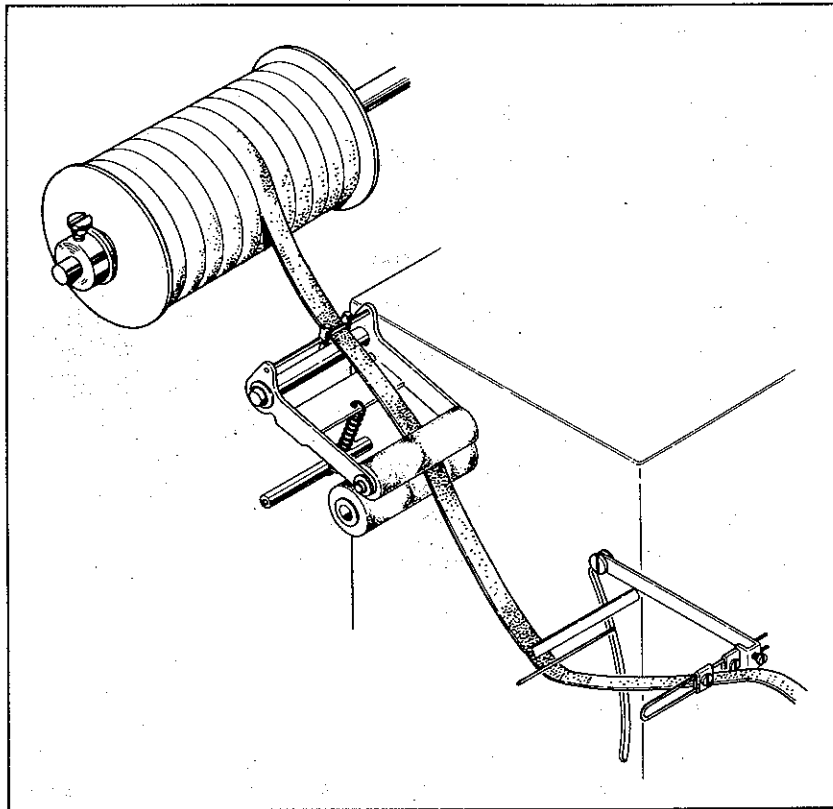
- 4) Put the Nut (L) and Washer (M) on the shorter screwed end of Pole (Long) (K), and tighten Nut (L) securely after the Pole was screwed in the reverse of Device.
- 5) The fitting position of "AEF" Device will be different according to the sewing machines to be used. So, decide the fitting position on Table and make the hole by 21 mm., diameter.
- 6) Put another end of Pole (Long) (K) into the hole of Machine Table and fit it with Nut (N) and Washer (O).



2. Setting of Elastic Tape

The elastic tape must be set correctly referring to the sketch, after which pull the tape lightly by hand to confirm it can be fed smoothly or not.

The tension of elastic tape to be fed is only 1.5 gram.



3. Electrical Specifications

See the next page, please.

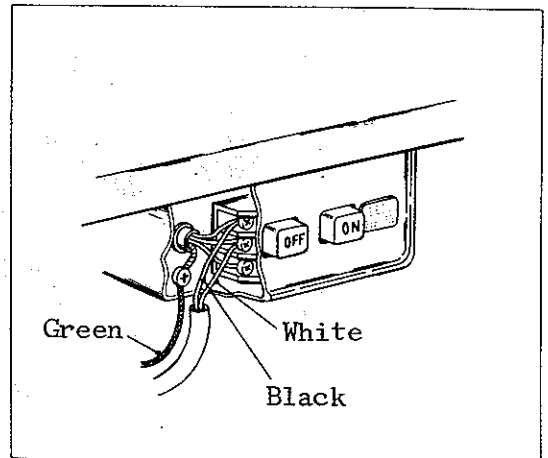
3. Electrical Specifications

3 - 1 Voltage and Motor

- * Voltage of Power Supply . . . AC 200V (Standard) - changeable to AC 100V, 220V and 380V, 50 Hz, 60 Hz
- * Motor Induction Motor, AC 100V
50 Hz - 1,200 r.p.m. 60 Hz - 1,450 r.p.m.

3 - 2 Connection of Power Cord

Power Cord which has 2 heads (Black, white) are connected with Power Switch and another green-headed one (Earthed) with Screw as shown in the sketch. Connectors of Power Cord must be put in reverse of Control Box. **Note:** Connection must be made with terminal at the side of Motor in Control Box.



At the shipment, the Cord have been connected with Tap of 200V of Power Transformer, so when used voltage is not 200V the connection must be changed suitably.

3 - 3 Other Suggestion

- * Fuse specified on Control Box must be used, and confirm stamped amperage carefully as current capacity is not same even thickness of glass tube is same.
- * Even though there happen such accidents as breakage of Diode, short circuit and/or mis-connection, other electric parts will not damage if specified Fuse is used. When the Fuse of bigger capacity is used, to the contrary, the damage will expand to other parts with results in tremendous cost.
- * Change the Fuse only once when it was broken off. If the Fuse blows off immediately after the change, there must be trouble somewhere else, so the careful checking is necessary.
- * Cords must not get hurt. Especially when the Cords contact with moving matters, they will break easily, so they must be fixed tightly to the Table or its leg.
- * Change the Relay in Control Box when the Device does not move after long-time operation.

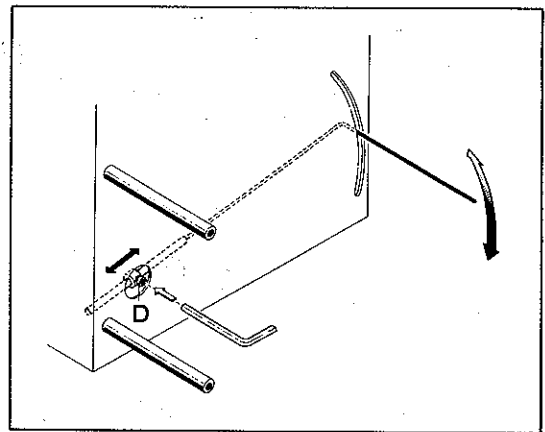
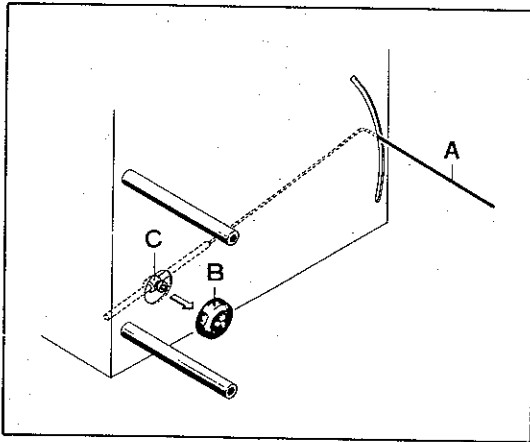
4. Adjustment

4 - 1 Switch Lever

The weight of Switch Lever (A) must be controlled according to elasticity of Tape.

By removing Plug (B) of Control Box, Adjusting Collar (C) can be seen inside. Loosen the Screw (D) and move the Collar (C) to right for increase of weight and to left for decrease.

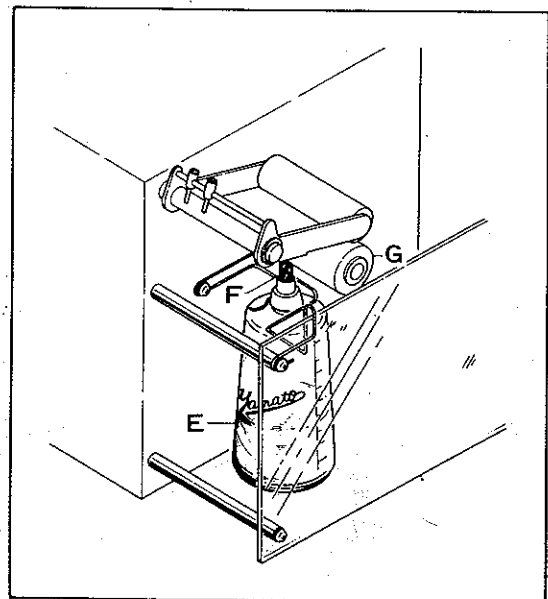
In case of the Tape of rich elasticity, adjust Switch Lever with a touch of lightness.



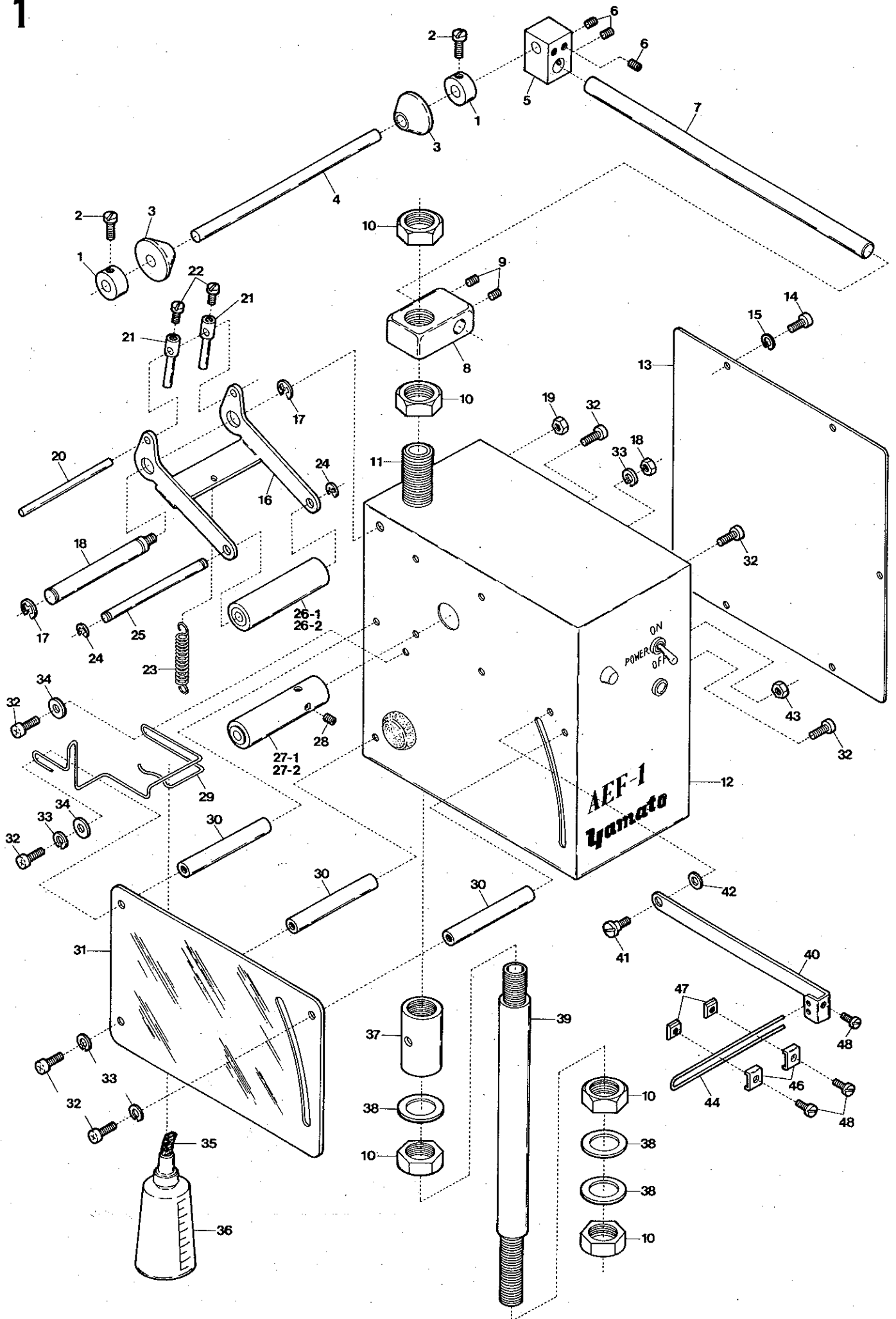
4 - 2 Prevention of Static Electricity

Because there are possibilities not to feed Tape or Elastic Tape belonged to Nylon Family by the static electricity, the Device is equipped with parts to prevent this electricity.

To prevent the static electricity, fill Water Container (E) with clean water and give the humidity to Main Roller (G) through Felt (F) contacted.



1



“AEF-1”DEVICE(1)

“AEF-1”装置(1)

Ref No.	Parts No.	Description	品名	Amt. Req.
1	91173	Tape Roll Guide Collar	テープガイドカラー	2
2	1218	Screw for 91173	テープガイドカラー止ネジ	2
3	91172	Tape Roll Guide	テープガイド	2
4	91171	Tape Roll Guide Shaft	テープガイド軸	1
5	11132	Tape Roll Guide Shaft Connection	テープガイド軸継手	1
6	3647	Screw for 11132	テープガイド軸継手止ネジ	4
7	11125	Tape Roll Positioning Shaft	テープロール取付ケ軸	1
8	11109	Tape Roll Positioning	テープロール取付台	1
9	3635	Screw for 11109	テープロール取付ケ台止ネジ	2
10	13	Nut for 11107, 11106	ナット	5
11	11107	Pole (Short)	ポール(短)	1
12	11103	Control Box	制御ボックス(組)	1
13	11128	Control Box Cover	制御ボックスカバー	1
14	4127	Screw for 11128	制御ボックスカバー止ネジ	6
15	673	Spring Washer for 11128	スプリングワッシャ	6
16	11114	Sub-Roller Frame	従動ローラ台	1
17	95027	Retaining Ring for 11115	ストップリング	2
18	11115	Sub-Roller Frame Pin	従動ローラ台ピン	1
19	144	Nut for 11115, 11133	ナット	2
20	11118	Tape Guide Shaft	テープガイド(後)	1
21	91940	Tape Guide	テープガイド	2
22	1459	Screw for 91940	テープガイド止ネジ	2
23	11117	Sub-Roller Spring	従動ローラバネ	1
24	33024	Retaining Ring for 11116	ストップリング	2
25	11116	Sub-Roller Shaft	従動ローラ軸	1
26-1	11091	Sub-Roller (for Nylon)	従動ローラ(ナイロン用)	1
26-2	11093	“ (for Heavy Materials)	“ (厚物用)	1
27-1	11090	Main Roller (for Nylon)	駆動ローラ(ナイロン用)	1
27-2	11092	“ (for Heavy Materials)	“ (厚物用)	1
28	3638	Screw for 11092	駆動ローラ止ネジ	2
29	11133	Water Container Holder	水入レ受ケ	1
30	11105	Side Cover Stay	横カバーステイ	3
31	11104	Side Cover	横カバー	1
32	9992	Screw for 11104, 11133	止ネジ	7
33	664	Spring Washer for 11104, 11133	スプリングワッシャ	4
34	665	Washer for 11133	ワッシャ	2
35	11134	Felt	フェルト	1
36	37932	Water Container	水入レ	1
37	11108	Pole Joint	ポール継手	1
38	534	Washer for 11106	ワッシャ	3
39	11106	Pole (Long)	ポール(長)	1
40	11119	Tape Guide Holder	テープガイド台	1
41	6004	Screw for 11119	テープガイド台止ネジ	1
42	10	Spring Washer for 11119	スプリングワッシャ	1
43	334	Nut for 11119	ナット	1
44	94553	Tape Guide (Front)	テープガイド(前)	1
45	9730	Screw for 94553	テープガイド(前)止ネジ	1
46	94556	Washer for 94553	テープガイドワッシャ	2
47	94557	Nut for 94553	テープガイドナット	2
48	1196	Screw for 94556	テープガイドワッシャ止ネジ	2

“AEF-1”DEVICE(2)

“AEF-1”装置(2)

<u>Ref. No.</u>	<u>Parts No.</u>	<u>Description</u>	<u>品 名</u>	<u>Amt. Req.</u>
1	11135	Motor	モータ.....	1
2	9958	Screw for 11135.....	モータ止ネジ.....	4
3	15	Nut for 11135.....	ナット.....	4
4	938	Device Name Plate	型式板.....	1
5	9995	Screw for 938	型式板止ネジ.....	2
6	11893	Device Indicate Plate	デバイス記号板.....	1
7-1	805	Power Indicate Plate Plate (100V)	電源表示板 (100V).....	1
7-2	806	“ “ (200V)	“ (200V).....	1
7-3	742	“ “ (220V)	“ (220V).....	1
7-4	807	“ “ (380V)	“ (380V).....	1
8	11126	Switch Support	スイッチ取付板.....	1
9	4127	Screw for 11126, 11123, 11124	止ネジ.....	6
10	644	Spring Washer for 11126, 11123, 11124	スプリングワッシャー.....	6
11	11136	Switch.....	スイッチ.....	1
12	9957	Screw for 11136.....	スイッチ止ネジ.....	2
13	180	Nut for 11136.....	ナット.....	2
14	11123	Switch Lever Holder	スイッチレバー台.....	1
15	11122	Swittc Lever Pin	スイッチレバーピン.....	1
16	3551	Screw for 11122.....	スイッチレバーピン調節ネジ.....	2
17	355	Nut for 11122.....	スイッチレバーピン調節ネジナット.....	2
18	11121	Switch Lever	スイッチレバー.....	1
19	1196	Screw for 11121.....	スイッチレバー止ネジ.....	1
20	94433	Switch Lever Adjusting Collar	調節カラー.....	1
21	4360	Screw for 94433.....	調節カラー止ネジ.....	1
22	11124	Switch Lever Stopper	スイッチレバーストッパ.....	1

