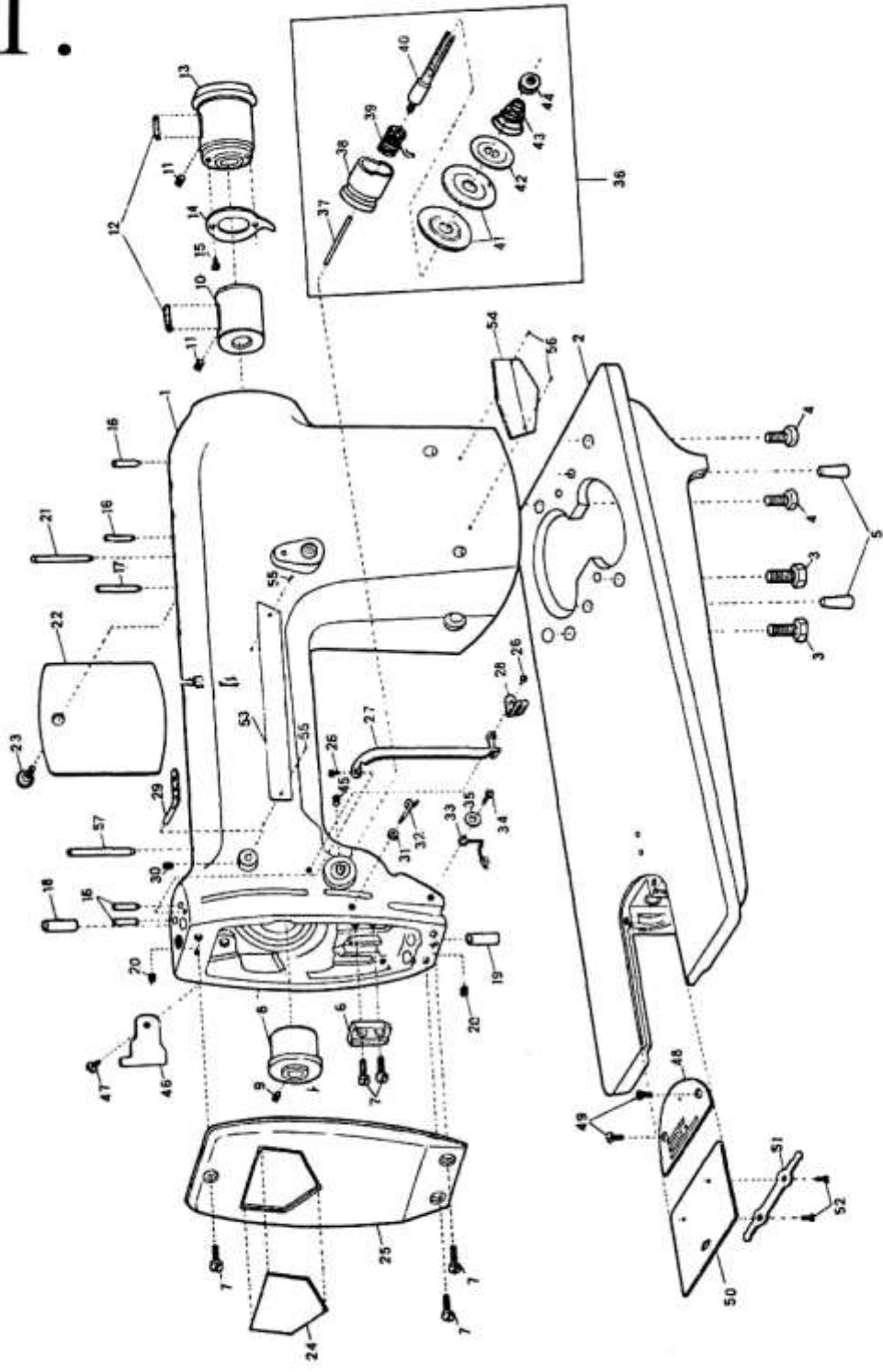


1.

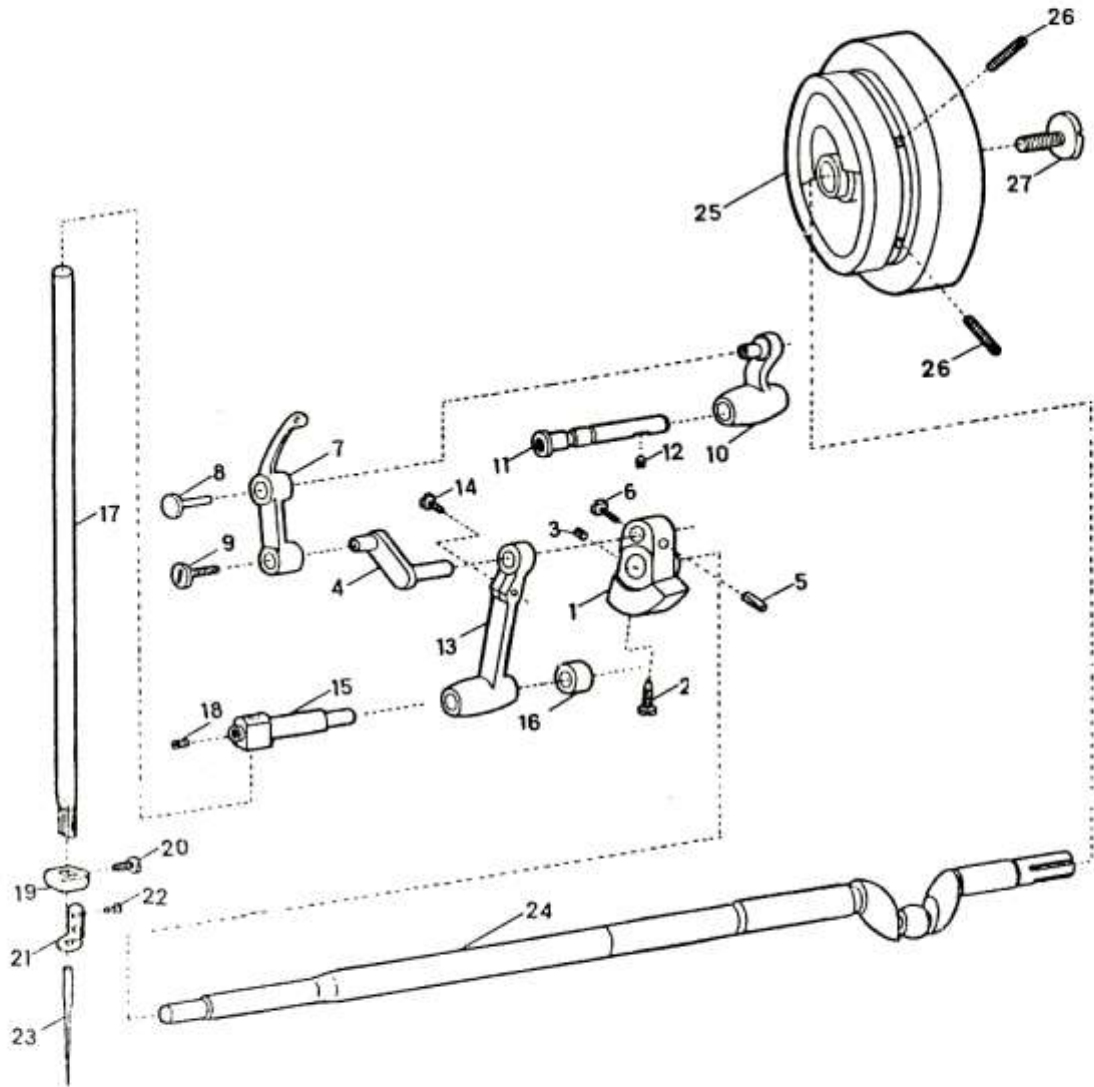


1. Arm with Bed and Its Accessories

Item	Description	pcs.
1	Arm	1
2	Bed	1
3	Arm screw (front)	2
4	Arm screw (back)	2
5	Arm dowel pin	2
6	Needle bar connecting stud roller guide	1
7	Screw	5
8	Arm shaft flanged bushing (front)	1
9	Arm shaft flanged bushing (front) set screw	1
10	Arm shaft bushing (center)	1
11	Set screw	2
12	Oil pad	2
13	Arm shaft flanged bushing (back)	1
14	Arm shaft flanged bushing (back) oil drip plate	1
15	Arm shaft flanged bushing (back) oil drip plate screw	1
16	Thread take up mechanism oil tube assembly	2
	Feed forked connection oil tube assembly	1
	Arm shaft flanged bushing (back) oil tube assembly	1
17	Arm shaft bushing (center) oil tube assembly	1
18	Needle bar bushing (upper)	1
19	Needle bar bushing (lower)	1
20	Needle bar bushing set screw	2
21	Arm spool pin	1
22	Arm side cover	1
23	Arm side cover thumb screw	1
24	Trade mark plate	1
25	Face plate	1
26	Thread take up lever guard screw	2
27	Thread take up lever guard	1

Item	Description	pcs.
28	Thread guide	1
29	Thread retainer	1
30	Thread retainer set screw	1
31	Thread guide nut	1
32	Thread guide	1
33	Thread guide (lower)	1
34	Thread guide (lower) screw	1
35	Thread guide (lower) screw washer	1
36	Tension, complete	1
37	Tension releasing pin	1
38	Thread take up spring regulator	1
39	Thread take up spring	1
40	Tension srud	1
41	Tension disc	1
42	Tension releasing disc	2
43	Tension spring	1
44	Tension regulating thumb nut	1
45	Tension set screw	1
46	Arm side cap	1
47	Arm side cap screw	1
48	Throat plate	1
49	Throat plate screw	2
50	Shuttle race slide	1
51	Shuttle race slide spring	1
52	Shuttle race slide spring screw	2
53	Trade mark plate	1
54	Name plate	1
55	Trade mark plate rivet	2
56	Name plate rivet	2
57	Arm shaft flanged bushing (front) oil tube assembly	1

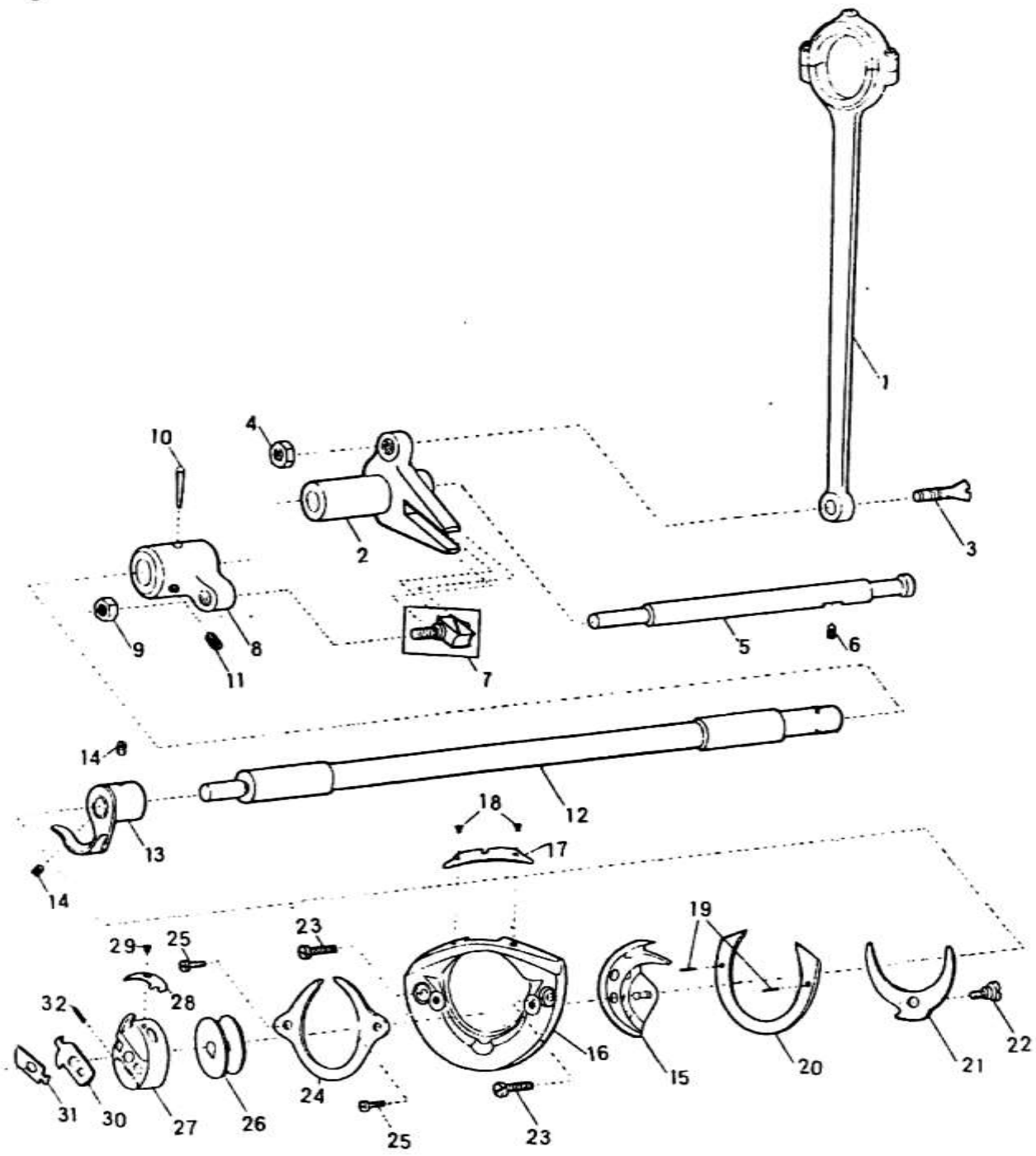
2.



2. Needle Bar and Thread Take - up Mechanism

Item	Description	pcs.
1	Needle bar crank	1
2	Needle bar crank position screw	1
3	Needle bar crank set screw	1
4	Thread take - up crank	1
5	Thread take - up crank wedge	1
6	Thread take - up crank wedge screw	1
7	Thread take - up lever	1
8	Thread take - up lever hinge pin	1
9	Thread take - up crank screw	1
10	Thread take - up lever link	1
11	Thread take - up lever link hinge pin	1
12	Set screw	1
13	Needle bar connecting link	1
14	Needle bar connecting link cap screw	1
15	Needle bar connecting stud	1
16	Needle bar connecting stud roller	1
17	Needle bar	1
18	Needle bar connecting stud set screw	1
19	Needle clamp	1
20	Needle clamp screw	1
21	Needle bar thread guard	1
22	Needle bar thread guard screw	1
23	Needle	1
24	Arm shaft	1
25	Balance wheel	1
26	Balance wheel set screw	2
27	Arm shaft screw	1

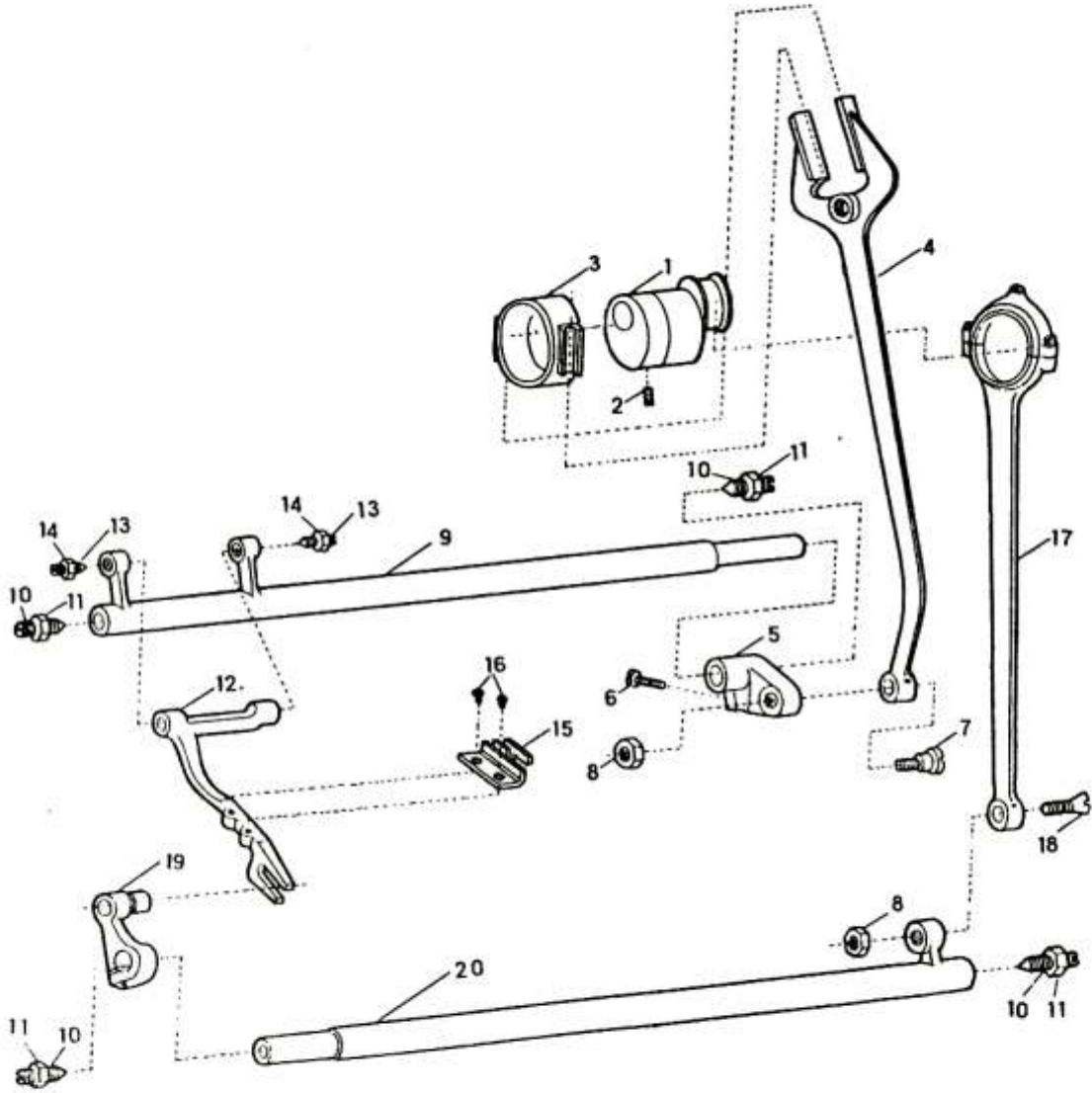
3.



3. Shuttle Mechanism

Item	Description	pcs.
1	Crank connecting rod	1
2	Oscillating rock shaft	1
3	Crank connecting rod hinge screw	1
4	Crank connecting rod hinge screw nut	1
5	Oscillating rock shaft hinge pin	1
6	Oscillating rock shaft hinge pin set screw	1
7	Oscillating shaft crank slide block screw stud	1
	Oscillating shaft crank slide block	1
	Oscillating shaft crank slide block cap screw wash	1
	Oscillating shaft crank slide block cap screw	1
8	Oscillating shaft crank	1
9	Oscillating shaft crank slide block screw stud nut	1
10	Oscillating shaft crank dowel pin	1
11	Oscillating shaft crank set screw	1
12	Oscillating shaft	1
13	Shuttle driver	1
14	Shuttle driver set screw	2
15	Shuttle body	1
16	Shuttle race	1
17	Shuttle race cap	1
18	Shuttle race cap screw	2
19	Shuttle race back position pin	2
20	Shuttle race back	1
21	Shuttle race back spring	1
22	Shuttle race back spring screw	1
23	Shuttle race screw	2
24	Shuttle bobbin case position plate	1
25	Shuttle bobbin case position plate screw	2
26	Shuttle bobbin	1
27	Shuttle bobbin cast	1
27	Shuttle bobbin case tension spring	1
28	Shuttle bobbin case tension spring	1
29	Shuttle bobbin case tension spring screw	1
30	Shuttle bobbin case latch	1
31	Shuttle bobbin case latch lever	1
32	Shuttle bobbin case latch spring	1

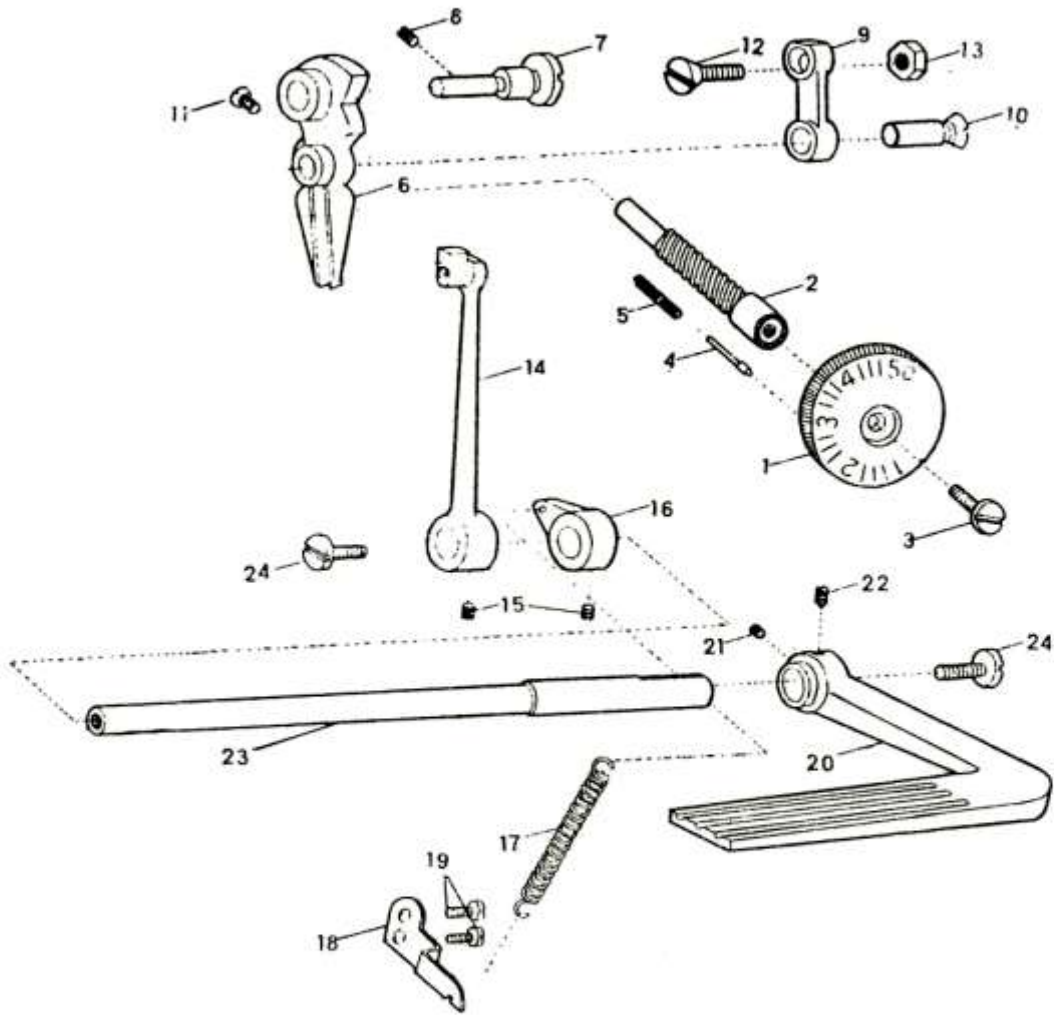
4.



4.Feed Mechanism

Item	Description	pcs.
1	Feed and feed lifting eccentric	1
2	Feed and feed lifting eccentric set screw	1
3	Feed and feed lifting eccentric sleeve	1
4	Feed forked connection	1
5	Feed rock shaft crank	1
6	Feed rock shaft crank clamping screw	1
7	Feed forked connection hinge screw	1
8	Feed forked connection hinge screw nut	1
9	Feed rock shaft	1
10	Feed rock shaft screw center	4
11	Feed rock shaft screw center nut	4
12	Feed bar	1
13	Feed bar screw center	2
14	Feed bar screw center nut	2
15	Feed dog	1
16	Feed dog screw	2
17	Crank connecting rod	1
18	Crank connecting rod hinge screw	1
19	Feed lifting rock shaft crank	1
20	Feed lifting rock shaft	1

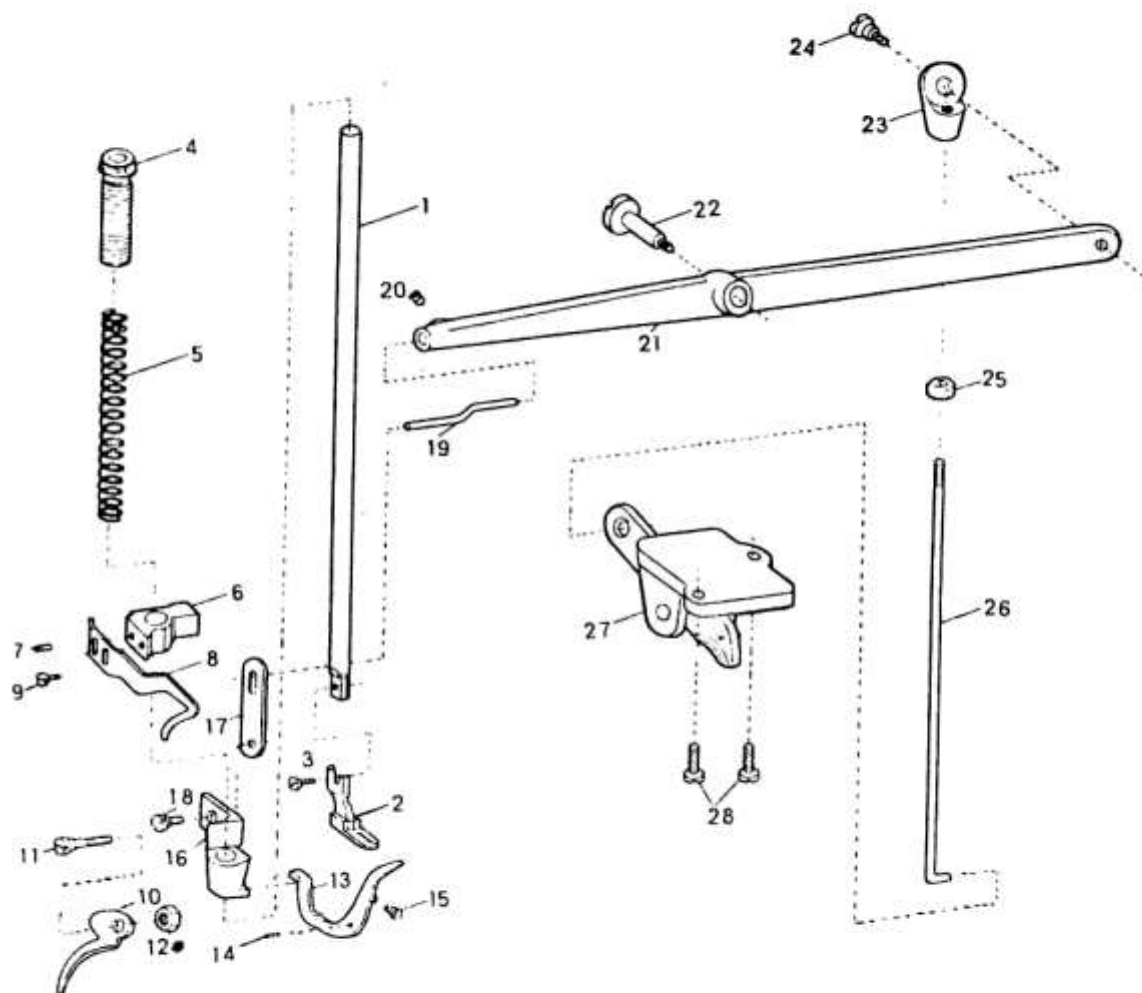
5.



5. Stitch Length Regulating Mechanism

Item	Description	pcs.
1	Feed regulating dial	1
2	Feed regulating screw stud	1
3	Feed regulating dial cap screw	1
4	Feed regulating screw stud lock pin	1
5	Feed regulating screw stud lock pin spring	1
6	Feed regulator	1
7	Feed regulator hinge pin	1
8	Feed regulator hinge pin set screw	1
9	Feed connecting link	1
10	Feed connecting link hinge stud	1
11	Feed connecting link hinge stud set screw	1
12	Feed connecting link hinge screw	1
13	Feed connecting link hinge screw	1
14	Feed reverse crank with slide block	1
15	Feed reverse crank set screw	1
	Feed reverse return crank set screw	1
16	Feed reverse return crank	1
17	Feed reverse return crank tension spring	1
18	Feed reverse return crank tension spring plate	1
19	Feed reverse return crank tension spring plate screw	2
20	Feed reverse lever	1
21	Feed reverse lever set screw	1
22	Feed reverse lever position screw	1
23	Feed reverse lever shaft	1
24	Feed reverse lever shaft cap screw	1

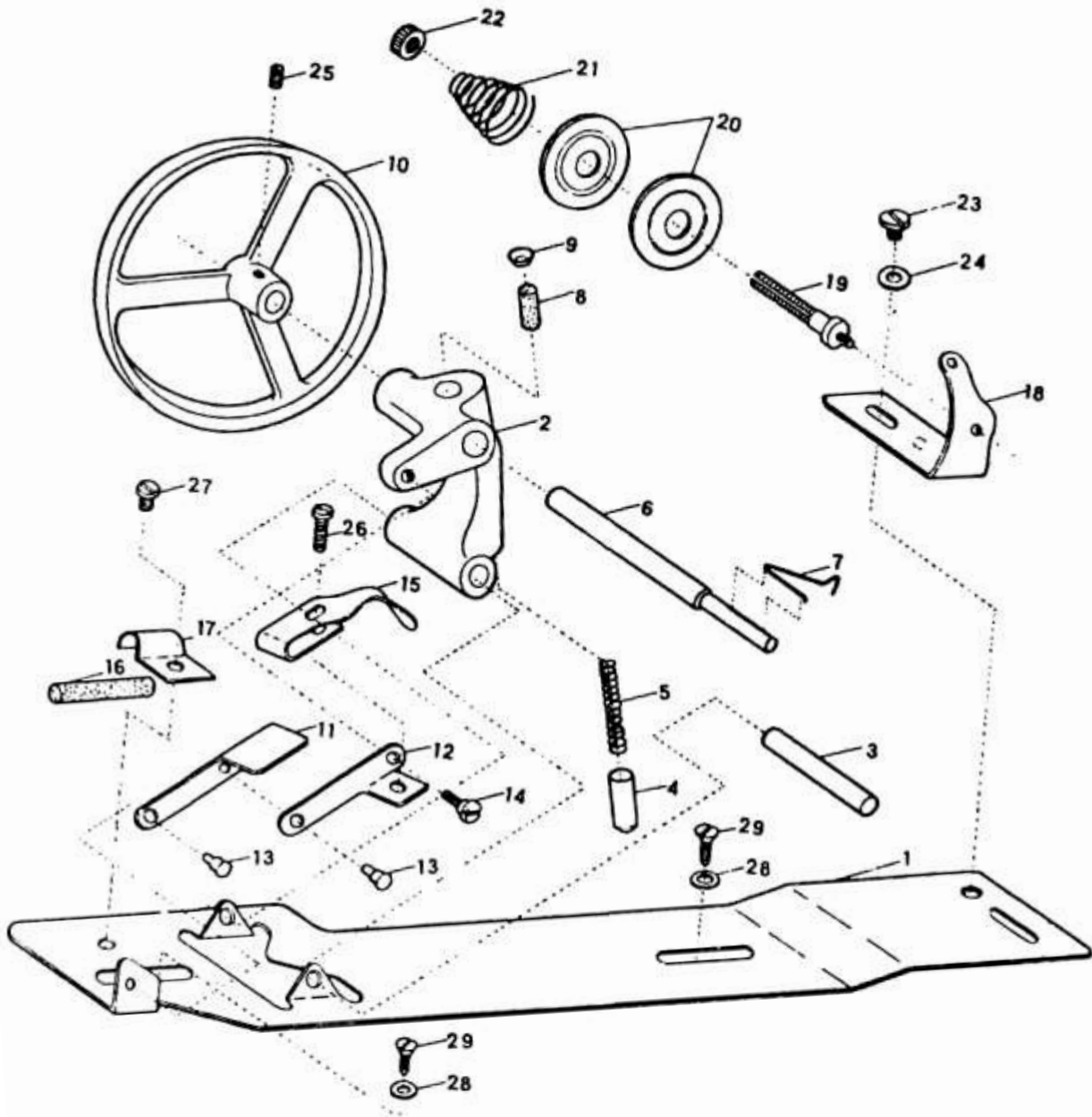
6.



6.Presser Foot Mechanism

Item	Description	pcs.
1	Presser bar	1
2	Presser foot (spring hinged) , complete	1
3	Presser foot screw	1
4	Pressure regulating thumb screw	1
5	Presser bar spring	1
6	Presser bar guide bracket	1
7	Presser bar guide bracket set screw	1
8	Slack thread regulator	1
9	Slack thread regulator screw	1
10	Presser bar lifter	1
11	Presser bar lifter screw	1
12	Presser bar lifter screw nut	1
13	Tension releasing lever	1
14	Tension releasing lever hinge pin	1
15	Tension releasing lever spring	1
16	Presser bar lifting and releasing lever bracket	1
17	Knee lifter lifting lever link	1
18	Knee lifter lifting lever link hinge screw	1
19	Knee lifter lifting lever pin	1
20	Knee lifter lifting lever pin set screw	1
21	Knee lifter lifting lever	1
22	Knee lifter lifting lever hinge screw	1
23	Knee lifter lifting lever connecting rod joint	1
24	Knee lifter lifting lever connecting rod joint hinge screw	1
25	Knee lifter lifting lever connecting rod lock nut	1
26	Knee lifter lifting lever connecting rod	1
27	Knee lifter bell crank, complete	1
28	Knee lifter bell crank screw	2

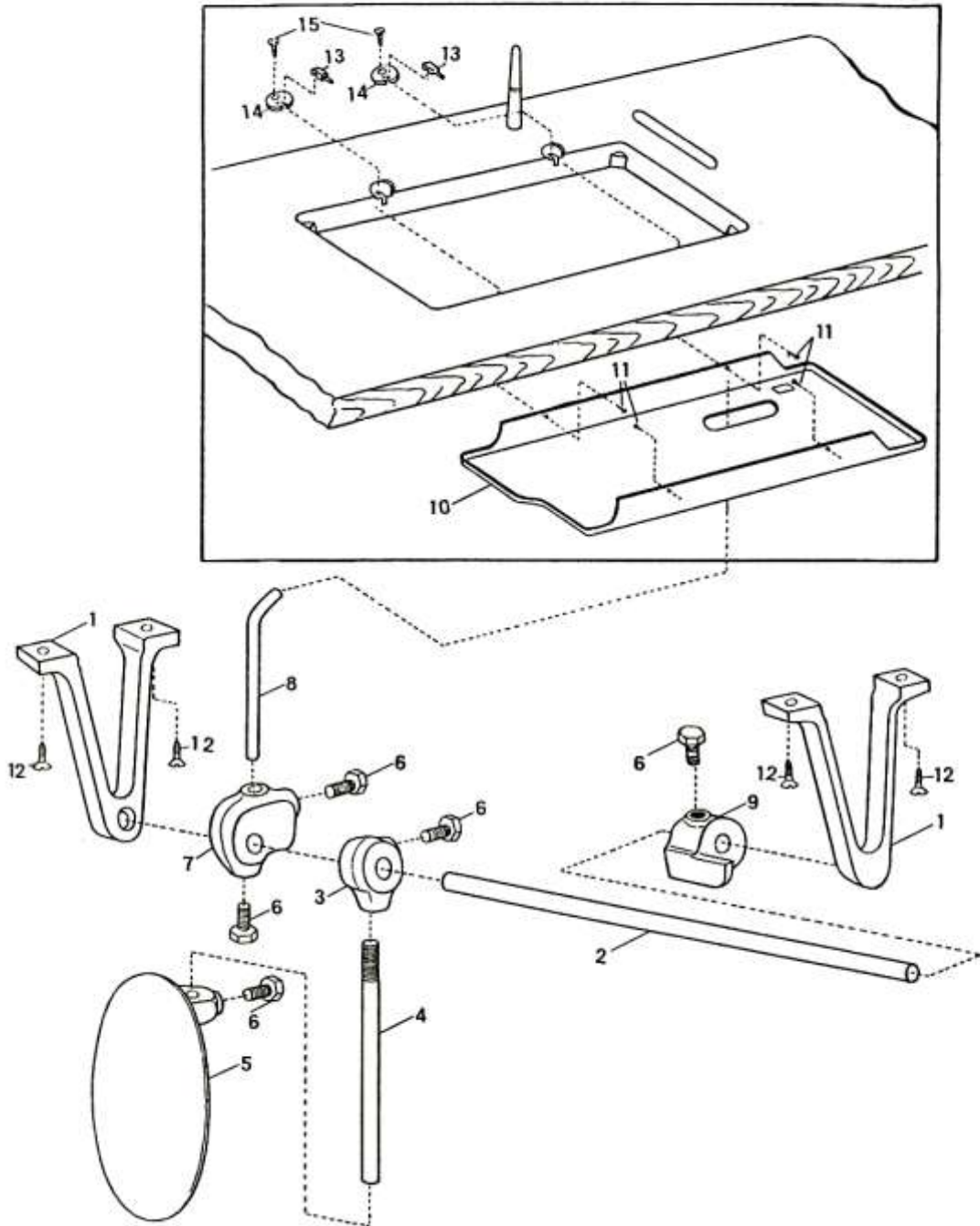
7.



7. Bobbin Winder

Item	Description	pcs.
1	Bobbin winder and tension bracket base	1
2	Bobbin winder frame	1
3	Bobbin winder frame hinge pin	1
4	Bobbin winder frame spring plunger	1
5	Bobbin winder frame spring	1
6	Bobbin winder spindle	1
7	Bobbin winder spindle oil pad	1
8	Bobbin winder spindle oil pad	1
9	Bobbin winder spindle oil pad cap	1
10	Bobbin winder pulley	1
11	Bobbin winder stop latch	1
12	Bobbin winder stop latch trip lever	1
13	Bobbin winder stop latch rivet	2
14	Bobbin winder stop latch trip lever hinge screw	1
15	Bobbin winder stop latch	1
16	Bobbin winder clutch strip	1
17	Bobbin winder clutch strip clamp	1
18	Bobbin winder tension bracket	1
19	Bobbin winder tension bracket	1
20	Bobbin winder tension disc	2
21	Bobbin winder tension spring	1
22	Bobbin winder tension stud thumb nut	1
23	Bobbin winder tension bracket screw	1
24	Bobbin winder tension bracket screw washer	1
25	Bobbin winder pulley set screw	1
26	Bobbin winder stop latch screw	1
27	Bobbin winder clutch strip clamp screw	1
28	Bobbin winder base wood screw washer	2
29	Bobbin winder base wood screw	2

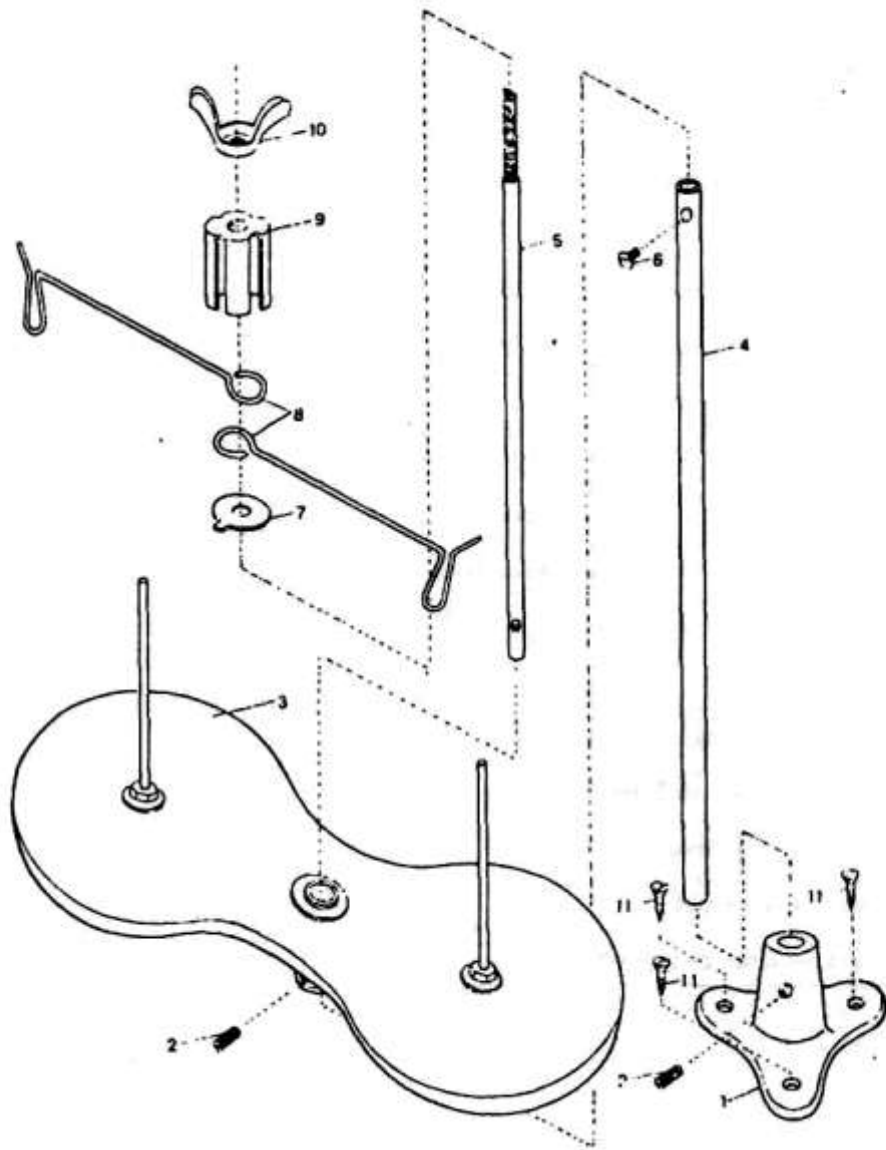
8.



8. Knee Lifter

Item	Description	pcs.
1	Knee lifter rock shaft bracket	2
2	Knee lifter rock shaft	1
3	Knee lifter rock shaft knee arm hub	1
4	Knee lifter rock shaft knee arm	1
5	Knee lifter rock shaft knee plate	1
6	Knee lifter rock shaft knee plate set screw	5
7	Knee lifter rock shaft lifting bracket	1
8	Knee lifter rock shaft lifting bracket hook	1
9	Knee lifter rock shaft stop dog	1
10	Drip pan	1
11	Drip pan wire nail	4
12	Knee lifter rock shaft bracket wood screw	4
13	Machine hinge connection	2
14	Machine hinge plate	2
15	Machine hinge plate wood screw	2

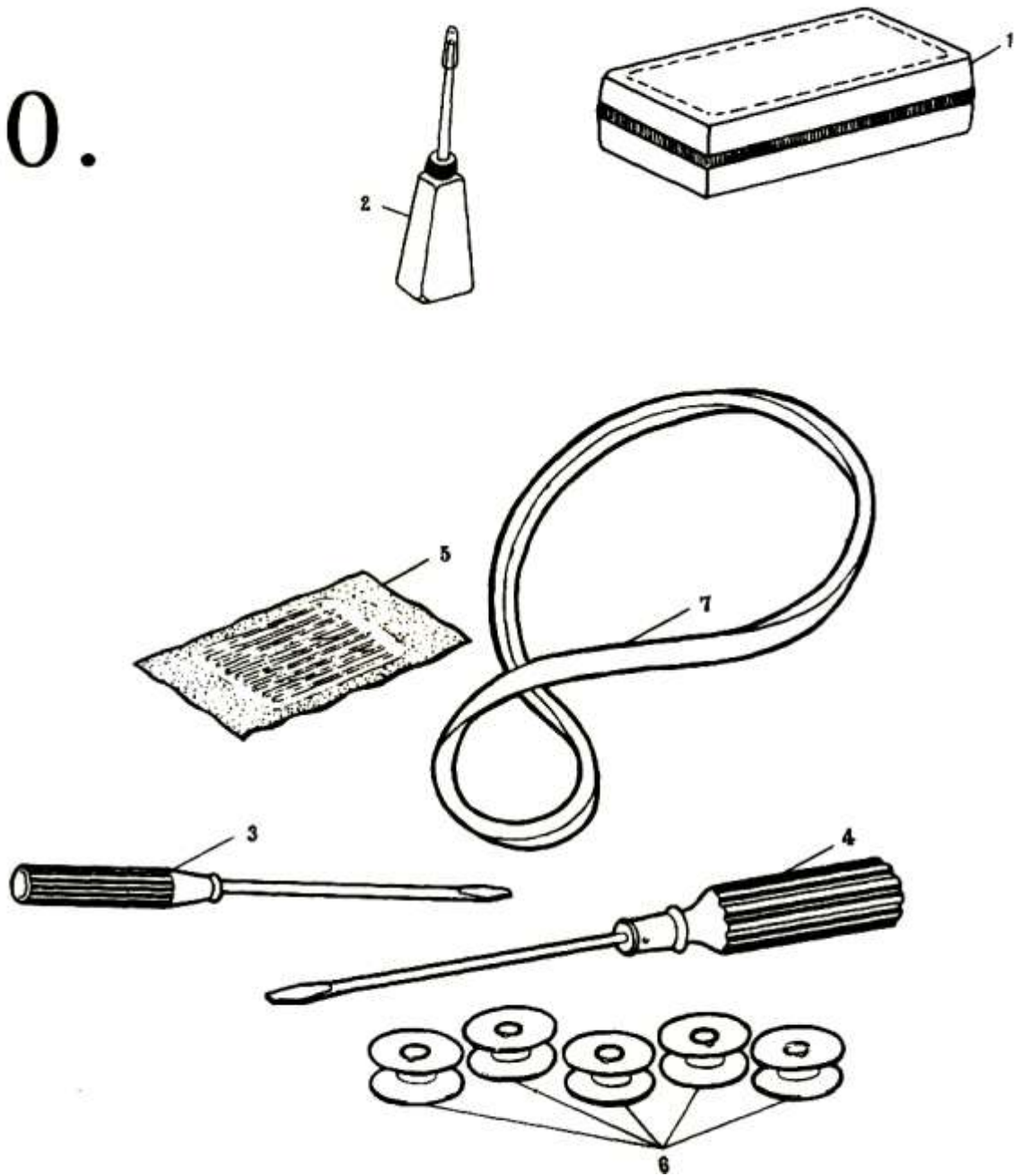
9.



9.Thread Unwinder

Item	Description	pcs.
1	Spool stand	1
2	Spool rest set screw	2
3	Spool rest	1
4	Thread guard rod (lower)	1
5	Thread guard rod (upper)	1
6	Thread guard rod (upper) set screw	1
7	Thread guide position plate	1
8	Thread guide	2
9	Thread guide position cup	1
10	Thread guide lock nut	1
11	Wood screw	3

10.



10. Accessories

Item	Description	pcs.
1	Accessories box	1
2	Plastic oil - can	1
3	Screw driver	1
4	Screw driver	1
5	Needle	1
6	Bobbin	5
7	V - belt	1