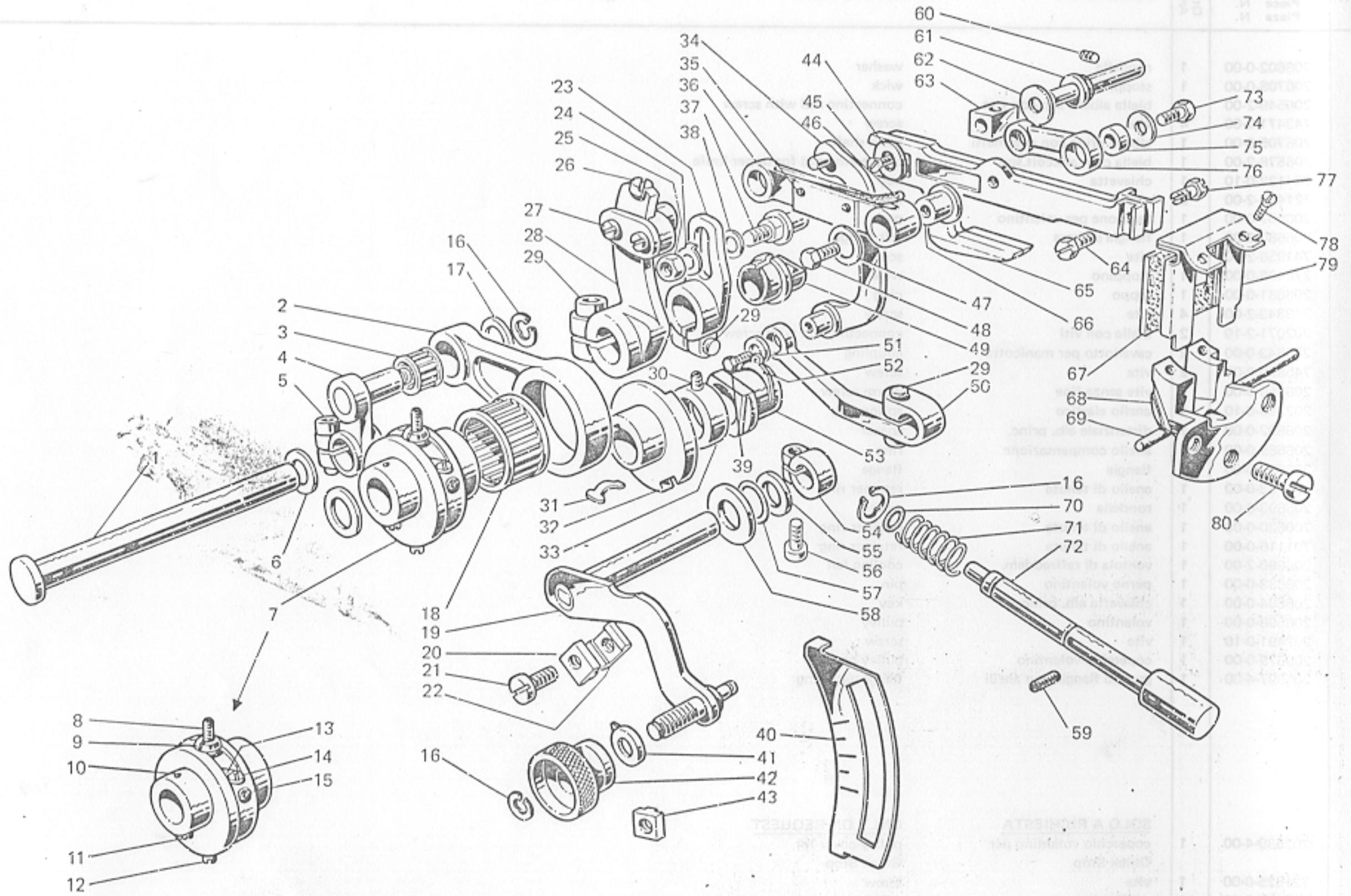


Fig. N. Abb. N.	Part. N. Bestell N. Pieza N.	Qt. Anzahl	DESCRIZIONE	DESCRIPTION	BENENNUNG	DESCRIPTION	DESCRIPCION
1	206602-0-00	1	rondella	washer			
2	206708-0-00	1	stoppino	wick			
3	206549-2-00	1	biella albero sup,con vite	connecting rod with screw			
4	743471-2-00	4	vite	screw			
5	206705-3-00	1	albero princ.con cuscinetti	main shaft			
6	206578-2-00	1	biella com.alb.colt.sup.	connecting rod for upper knife			
7	204122-0-10	1	chiavetta	key			
8	721464-2-00	3	vite	screw			
9	206507-0-00	1	tampone per volantino	pad			
10	206680-0-00	1	flangia sinistra	left flange			
11	741956-2-00	3	vite	screw			
12	778406-0-00	1	stoppino	wick			
13	206681-0-00	1	tappo	plug			
14	743343-2-00	4	vite	screw			
15	202071-2-10	2	biella con viti	connecting rod with screw			
16	206643-0-00	2	cavallotto per manicotto	coupling			
17	745800-2-00	2	vite	screw			
18	206556-0-00	1	vite senza fine	worm screw			
19	202386-0-10	1	anello elastico	spring ring			
20	206692-0-00	1	distanziale alb. princ.	spacer			
21	206689-0-00	1	anello compensazione	ring			
22	206699-0-00	1	flangia	flange			
23	701133-0-00	1	anello di tenuta	retainer ring			
24	206693-0-00	1	rondella	washer			
25	700630-0-00	1	anello di tenuta	retainer ring			
26	701116-0-00	1	anello di tenuta	retainer ring			
27	206690-2-00	1	ventola di raffreddam.	cooling fan			
28	206683-0-00	1	perno volantino	pin			
29	206684-0-00	1	chiavetta alb. princ.	key			
30	206508-0-00	1	volantino	pulley			
31	202491-0-10	1	vite	screw			
32	206679-0-00	1	coperchio volantino	pulley cover			
*	206697-4-00	1	gruppo flangia con anelli	flange with ring			
A	202539-4-00	1	<u>SOLO A RICHIESTA</u> coperchio volantino per Quick Stop	<u>ONLY ON REQUEST</u> pulley cover for Quick Stop			
B	721525-0-00	1	vite	screw			
C	703007-0-00	1	rondella	washer			
D	202352-2-11	1	coperchio	cover			



DESCRIPTION	DESCRIPTION	BENENNUNG	DESCRIPTION	DESCRIPTION	Part. N.	Part. N.	Part. N.	Part. N.
-------------	-------------	-----------	-------------	-------------	----------	----------	----------	----------

Fig. N. Abb. N.	Part. N. Bestell N. Piece N. Pieza N.	Qt. Anzahl	DESCRIZIONE	DESCRIPTION	BENENNUNG	DESCRIPTION	DESCRIPCION
1	206593-0-00	1	contralbero trasporto	transport countershaft			
2	206599-0-00	1	biella comando trasporto	transport connecting rod control			
3	201358-0-10	1	gabbia a rulli	needle cage			
4	206598-3-00	1	braccio a manovella con vite	connecting-rod with screw			
5	744334-2-00	1	vite	screw			
6	704841-0-00	1	rondella	washer			
7	206604-4-01	1	gruppo eccentr.regol.trasporto	eccentric group			
8	729051-2-00	1	vite	screw			
9	206603-0-10	1	fermo eccentrico	eccentric retainer			
10	206607-0-00	1	tappo	plug			
11	745126-2-00	1	vite	screw			
12	728272-0-00	1	vite	screw			
13	202412-0-10	1	lardone	gib			
14	202473-0-10	2	vite	screw			
15	202472-0-10	2	vite	screw			
16	700207-0-00	3	anello elastico	spring ring			
17	206546-0-00	1	rondella	washer			
18	202385-0-10	1	gabbia a rulli	needle cage			
19	206790-2-00	1	leva comando slitta	lever			
20	206799-0-00	1	arresto regolabile esterno	external retainer			
21	742232-2-00	2	vite	screw			
22	206795-0-00	2	arresto regolabile interno	internal retainer			
23	206584-2-00	1	braccio manovella	connecting rod			
24	206580-2-00	1	rondella con spina	washer with pin			
25	746008-0-00	1	dado	nut			
26	741413-0-00	1	vite	screw			
27	741546-2-00	2	vite	screw			
28	206592-3-00	1	manovella trasporto	transport crank			
29	744332-2-00	3	vite	screw			
30	745812-2-00	1	vite	screw			
31	202403-0-10	1	molla	spring			
32	206605-0-01	1	eccentrico	eccentric			
33	206606-2-00	1	anello di rasamento	shim			
34	202047-0-10	1	leva	lever			
35	200490-0-00	2	spillo	pin			
36	206527-0-00	1	biellino	connecting rod			
*	206615-4-00	1	biellino compl.(figg.35-36-46)	connecting rod assembly			
37	202063-0-10	1	spina	pin			
38	704808-0-00	1	rondella	washer			
39	741657-0-00	1	vite	screw			
40	206797-0-00	1	piastrina per indice	plate			
41	206796-0-00	1	indice rapp. differenziale	differential index			
42	206798-0-00	1	bottonc rapp. differenz.	differential button			
43	206794-0-00	1	arresto regolabile esterno	external retainer			
44	202475-0-10	1	rondella	washer			
45	724032-0-00	1	vite	screw			
46	778417-0-00	1	stoppino	wick			
47	705008-0-00	1	rondella	washer			

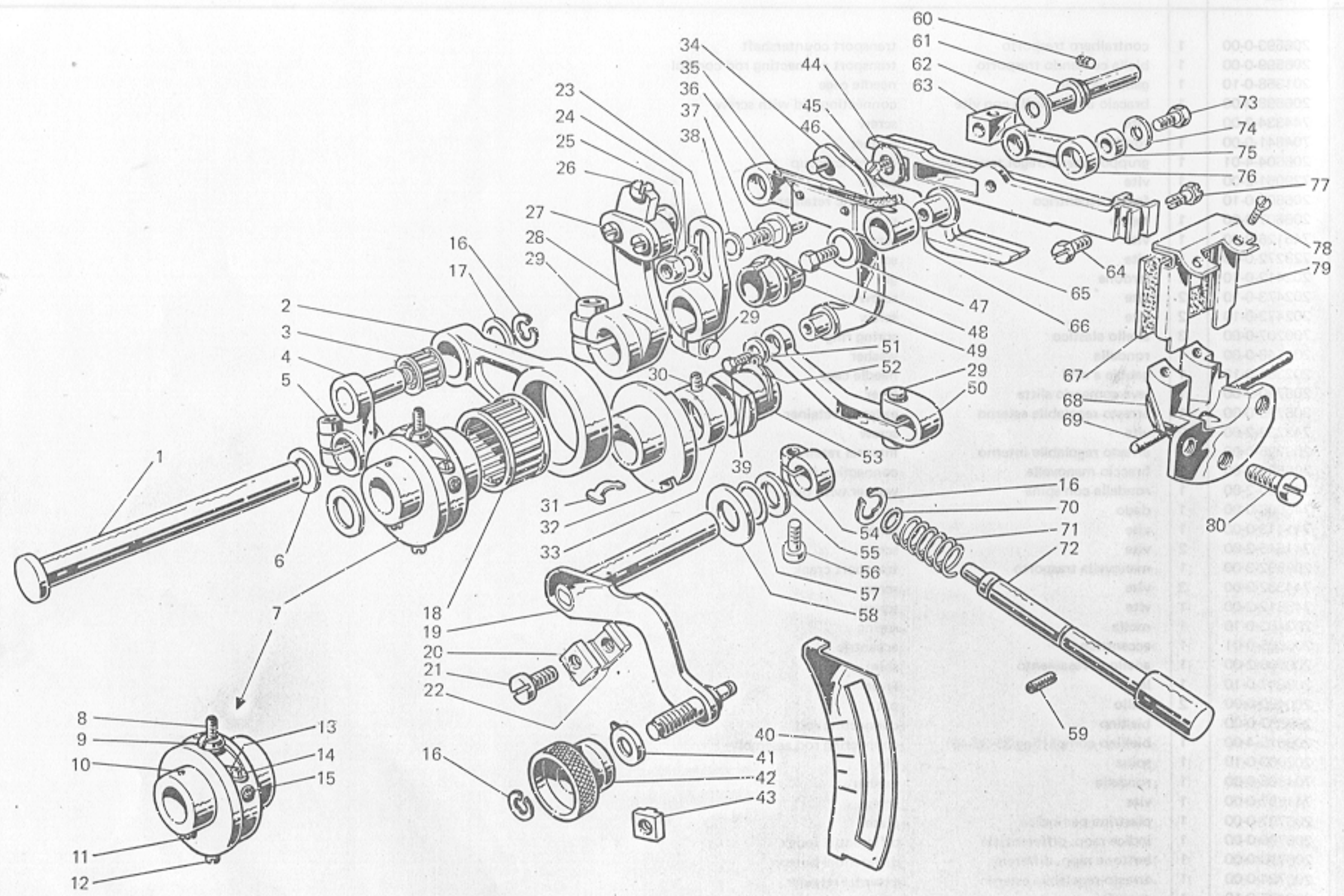


Fig. N. Abb. N.	Part. N. Bestell N. Piece N. Pieza N.	Qt. Anzini	DESCRIZIONE	DESCRIPTION	BENENNUNG	DESCRIPTION	DESCRIPCION
48	206588-0-00	1	vite	screw			
49	206619-0-00	1	vaschetta olio	oil sump			
50	206614-2-00	1	braccio regol.differenziale	differential arm			
51	705201-0-00	1	rondella	washer			
52	201610-0-01	1	anello elastico	spring ring			
53	206617-0-00	1	blocchetto	bloc			
54	100620-0-10	1	morsetto	clamp			
55	704829-0-00	1	rondella	washer			
56	741745-2-00	1	vite	screw			
57	701007-0-00	1	anello di tenuta	retainer ring			
58	705230-0-00	1	rondella	washer			
59	729032-2-00	1	vite	screw			
60	202478-0-10	1	vite	screw			
61	206613-0-00	1	perno eccentrico	eccentric pin			
62	705403-0-00	1	rondella	washer			
63	202033-0-10	1	blocchetto	bloc			
64	202489-0-10	1	vite	screw			
65	206582-3-00	1	gruppo slitta porta griffe	feed dog slide group			
66	206586-0-00	1	bussola per biellino	bush			
67	206804-0-00	1	raschia olio	oil scraper			
68	206603-0-00	1	guida supporto a slitta	slide support guide			
69	206609-0-00	1	guarnizione guida	gasket			
70	701002-0-00	1	anello	ring			
71	202408-0-10	1	molla	spring			
72	206618-0-00	1	pulsante regola punto	bush-button			
73	202490-0-10	1	vite	screw			
74	705208-0-00	1	rondella	washer			
75	202032-0-10	1	bussolina	bush			
76	206563-0-00	1	biellino	connecting-rod			
77	202488-0-10	1	vite	screw			
78	744621-0-00	2	vite	screw			
79	206803-2-00	1	telaio raschiaolio	oil scraper frame			
80	721464-2-00	3	vite	screw			

25-

Fig. N. Abb. N.	Part. N. Bestell N. Piece N.	Qt. Anzahl	DESCRIZIONE	DESCRIPTION	BENENNUNG	DESCRIPTION	DESCRIPCION
★	206415-4-00	1	gruppo com.crochet sup.	upper looper control			
1	206654-2-10	1	porta crochet inferiore	lower looper holder			
2	721883-0-00	1	vite	screw			
3	206410-3-00	1	guida oscillante	oscillating guide			
4	745812-2-00	2	vite	screw			
5	206645-4-00	1	spina	pin			
6	202086-0-10	1	spina	pin			
7	778208-0-00	2	stoppino	wick			
8	745002-2-00	1	vite	screw			
9	745890-2-00	1	vite	screw			
10	206652-2-00	1	braccio	arm			
11	201128-0-10	3	vite	screw			
12	745168-0-00	1	vite	screw			
13	727002-0-00	2	vite	screw			
14	206686-0-00	1	disco lubrif.guida	lubrication disc			
15	202720-0-00	1	paraolio	oil retainer			
16	778417-0-00	1	stoppino	wick			
17	701113-0-00	1	anello di tenuta	ring			
18	206659-2-00	1	manicotto con vite	coupling with screw			
19	704847-0-00	1	rondella	washer			
20	206656-0-00	1	albero crochet inferiore	lower looper shaft			
21	206658-2-00	1	manicotto	coupling			
22	704848-0-00	1	rondella	washer			
23	206646-0-00	1	albero crochet super.	upper looper shaft			
24	206695-0-00	2	tappo per albero	plug for shaft			

Fig. N. Abb. N.	Part. N. Bestell N. Pieze N. Pieza N.	Gt. Anzahl	DESCRIZIONE	DESCRIPTION	BENENNUNG	DESCRIPTION	DESCRIPCION
	206425-4-00	1	cinematismo com. ago	needle control assembly			
1	206516-0-00	1	leva	lever			
2	206525-3-00	1	perno	pin			
3	744332-2-00	1	vite	screw			
4	206522-3-00	1	albero	shaft			
5	704837-0-00	1	rondella	washer			
6	705029-0-00	2	rondella	washer			
7	727706-0-00	1	vite	screw			
8	206524-0-00	1	bussola	bush			
9	778407-0-00	1	stoppino	wick			
10	778203-0-00	4	stoppino	wick			
11	206506-0-00	1	dado	nut			
12	703210-0-00	1	rondella	washer			
13	206514-0-00	1	rondella	washer			
14	745812-2-00	2	vite	screw			
15	206606-2-00	2	anello	ring			
16	206540-2-00	1	manovella alb.sup.con vite	connecting rod			
17	206518-0-00	1	gabbia rullini	needle cage			
18	206531-0-00	1	rondella	washer			
19	724032-0-00	1	vite	screw			
20	206533-0-00	1	coperchio per leva	cover for lever			
21	206529-4-00	1	spina	pin			
22	206530-4-00	1	albero a manov.con stopp.	shaft with wick			
23	729011-2-00	1	vite	screw			
24	778400-0-00	1	stoppino	wick			
25	745001-0-00	1	vite	screw			
26	745002-0-00	1	vite	screw			
27	206815-4-00	1	barra con mors.fig.24-25	needle holder with fig.24-25			
28	765200-6-90	1	ago sist.Rim 27 fin.90	needle sist.Rim 27			
29	778837-0-00	1	stoppino	wick			
30	744334-2-00	1	vite per manovella	screw			

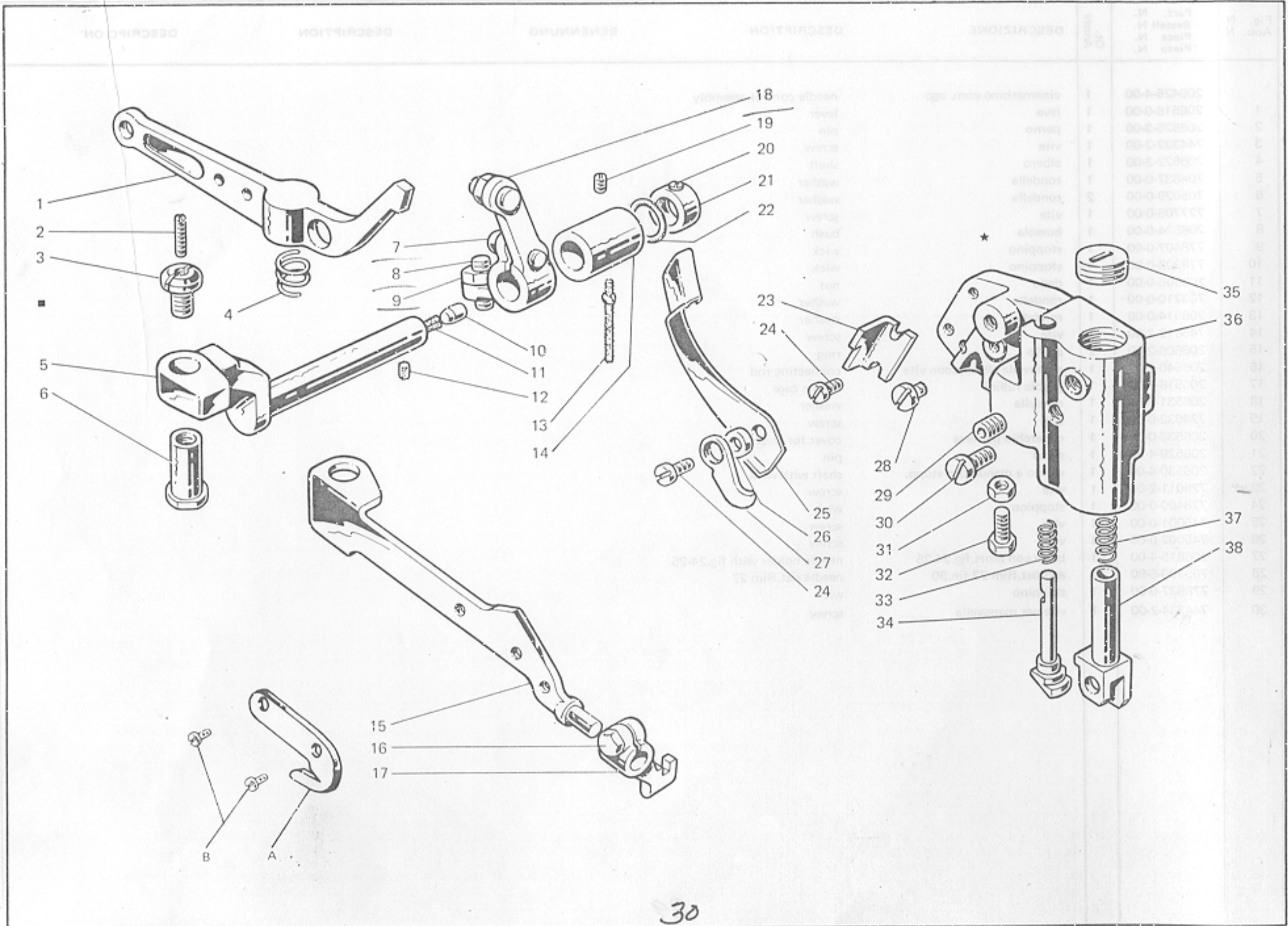


Fig. N. Abb. N.	Part. N. Bestell N. Piece N. Pieza N.	Qt. Anzahl	DESCRIZIONE	DESCRIPTION	BENENNUNG	DESCRIPTION	DESCRIPCION
★	206505-3-00	1	base con bussole e guidafili	base assembly			
1	778832-0-00	1	stoppino	wick			
2	202371-0-10	2	spina	pin			
3	206628-0-00	1	bussola	bush			
4	206651-0-00	2	bussola posteriore	rear bush			
5	202479-0-10	1	vite	screw			
6	206682-0-00	1	bussola intermedia	intermediary bush			
7	206595-0-00	1	bussola sinistra	left bush			
8	206538-0-00	1	bussola	bush			
9	206629-0-00	1	bussola destra	right bush			
10	206748-0-00	1	tappo ad espansione	plug			
11	206539-0-00	1	bussola	bush			
12	206740-0-00	2	passafilo	thread guide			
13	202065-0-10	2	bussola anteriore	front bush			
14	206594-0-00	1	bussola	bush			

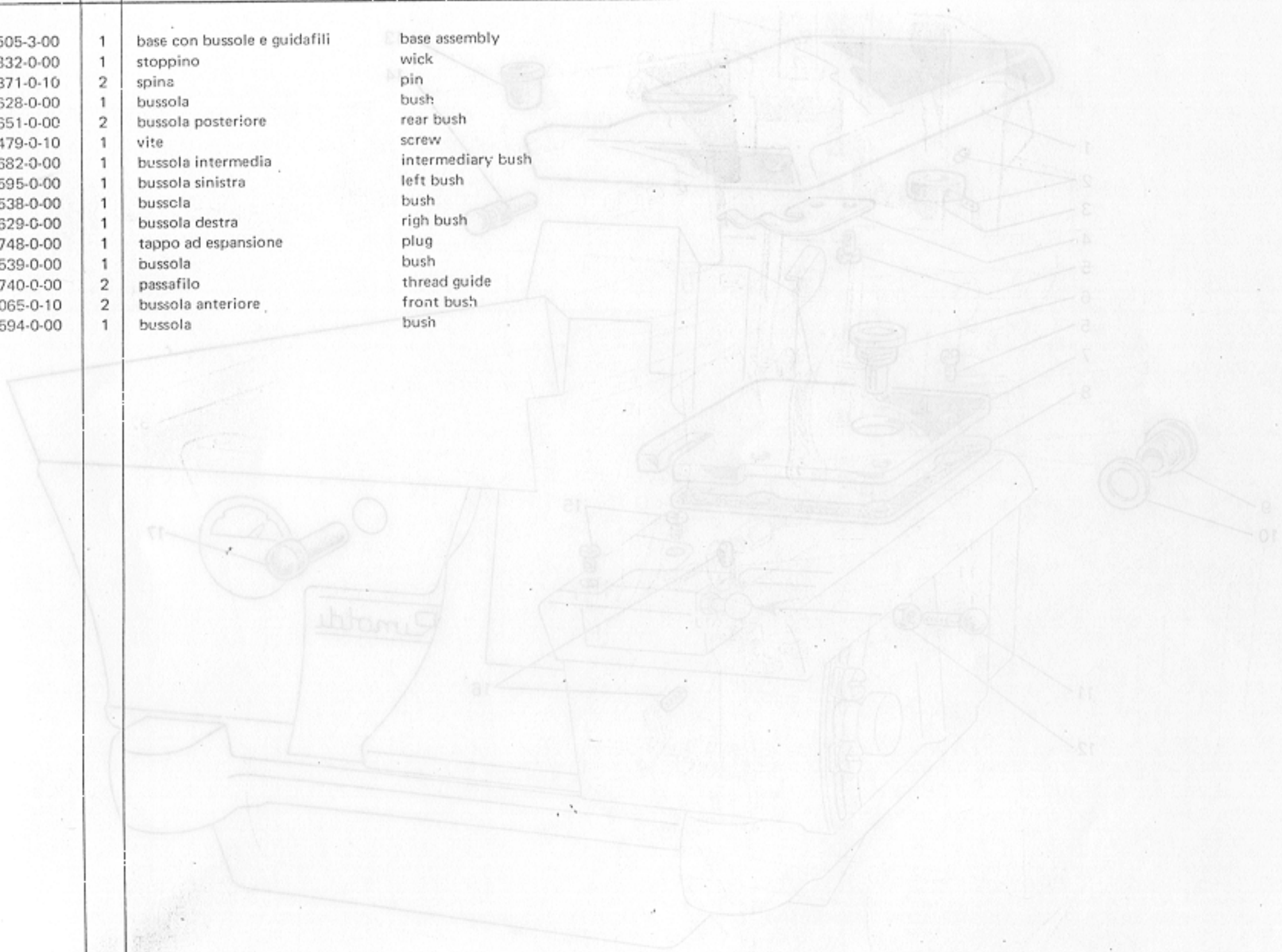
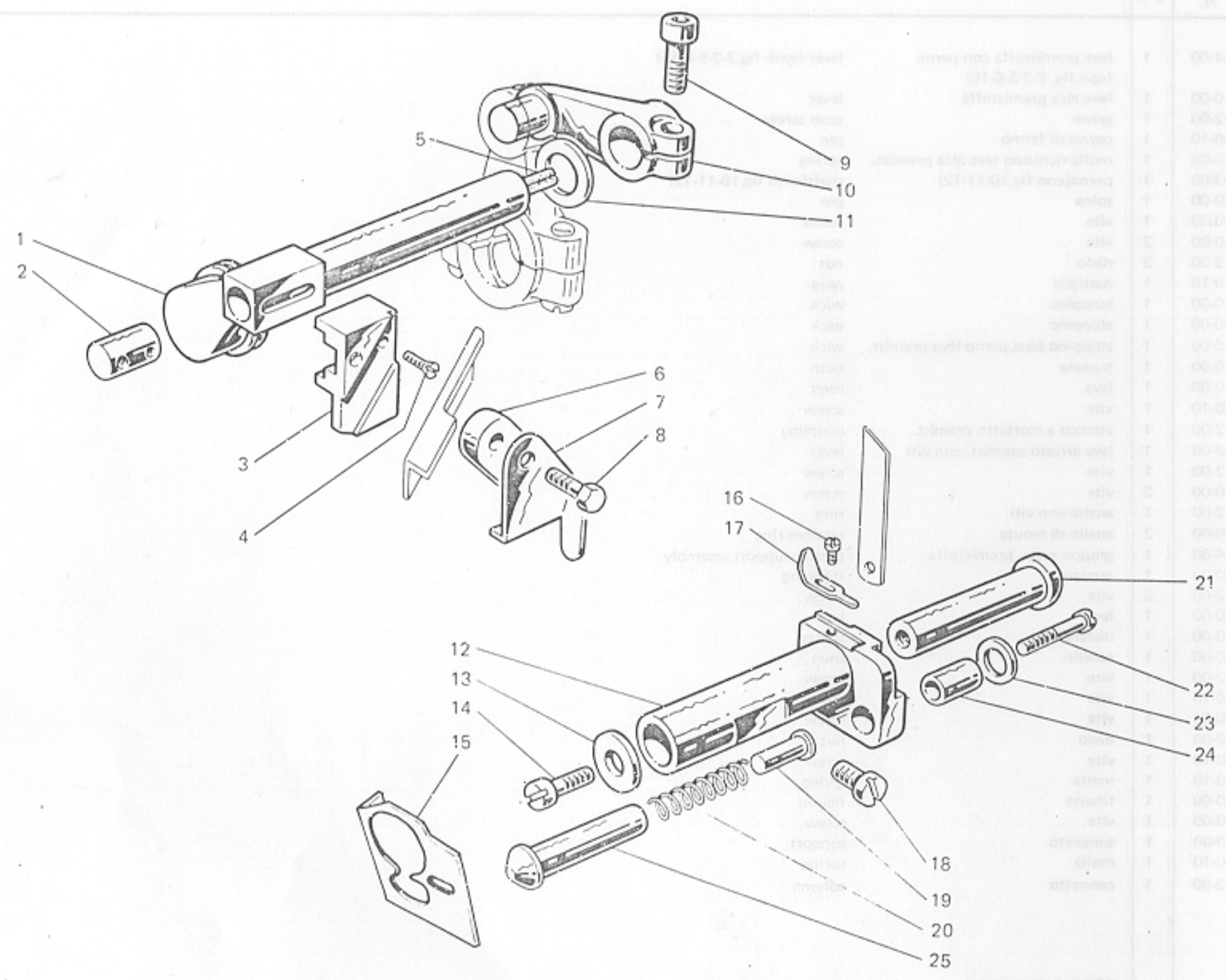


Fig. N. Abb. N.	Part. N. Bestell N. Pieze N.	Qt. Anzahl	DESCRIZIONE	DESCRIPTION	BENENNUNG	DESCRIPTION	DESCRIPCION
■	206638-4-00	1	leva premistoffa con perno (con fig. 2-3-5-6-15)	lever (with fig.2-3-5-6-15)			
1	206630-0-00	1	leva alza premistoffa	lever			
2	729051-2-00	1	grano	grub screw			
3	205529-0-10	1	perno di fermo	pin			
4	206621-0-00	1	molla richiamo leva alza premist.	spring			
5	206626-3-00	1	perno(con fig.10-11-12)	shaft(with fig.10-11-12)			
6	206622-0-00	1	spina	pin			
7	741963-0-00	1	vite	screw			
8	727096-0-00	2	vite	screw			
9	746020-2-00	2	dado	nut			
10	301586-0-10	1	pastiglia	plug			
11	788520-0-00	1	stoppino	wick			
12	778203-0-00	1	stoppino	wick			
13	206620-0-00	1	stoppino buss.perno leva premist.	wick			
14	206629-0-00	1	bussola	bush			
15	206625-0-00	1	leva	lever			
16	204947-0-10	1	vite	screw			
17	206624-2-00	1	attacco a morsetto premist.	coupling			
18	206623-2-00	1	leva arresto premist. con viti	lever			
19	745812-2-00	1	vite	screw			
20	745114-0-00	2	vite	screw			
21	206644-2-00	1	anello con viti	ring			
22	701006-0-00	2	anello di tenuta	retainer ring			
★	206446-4-00	1	gruppo supp. premistoffa	presser support assembly			
23	206639-0-00	1	arresto	stopping			
24	721464-2-00	3	vite	screw			
25	206636-0-00	1	leva	lever			
26	206637-0-00	1	distanziale	spacer			
27	206635-0-00	1	nasello	snug			
28	721494-2-00	1	vite	screw			
29	202391-0-10	1	vite	screw			
30	206642-0-00	1	vite	screw			
31	746007-2-00	1	dado	nut			
32	202214-0-10	1	vite	screw			
33	202110-0-10	1	molla	spring			
34	206634-0-00	1	tirante	tie-rod			
35	206633-0-00	1	vite	screw			
36	206640-0-00	1	supporto	support			
37	203142-0-10	1	molla	spring			
38	206632-2-00	1	cannotto	column			
A	202194-0-10	1	<u>SOLO A RICHIESTA</u> piastrina taglia catenella	<u>ONLY ON REQUEST</u> chain cutting shaft			
B	741133-0-00	2	vite	screw			



DESCRIZIONE	DESCRIPTION	BENENNUNG	DESCRIPTION	DESCRIZIONE	Q.TA	Part. N. Draw. N. Press. N.	Part. N. Draw. N. Press. N.
-------------	-------------	-----------	-------------	-------------	------	-----------------------------------	-----------------------------------

					1	20828-4-00	*
					1	20830-0-00	1
					1	20831-2-00	2
					1	20832-0-10	3
					1	20833-0-00	4
					1	20834-0-00	5
					1	20835-0-00	6
					1	20836-0-00	7
					1	20837-0-00	8
					1	20838-0-00	9
					1	20839-0-00	10
					1	20840-0-00	11
					1	20841-0-00	12
					1	20842-0-00	13
					1	20843-0-00	14
					1	20844-0-00	15
					1	20845-0-00	16
					1	20846-0-00	17
					1	20847-0-00	18
					1	20848-0-00	19
					1	20849-0-00	20
					1	20850-0-00	21
					1	20851-0-00	22
					1	20852-0-00	23
					1	20853-0-00	24
					1	20854-0-00	25
					1	20855-0-00	26
					1	20856-0-00	27
					1	20857-0-00	28
					1	20858-0-00	29
					1	20859-0-00	30
					1	20860-0-00	31
					1	20861-0-00	32
					1	20862-0-00	33
					1	20863-0-00	34
					1	20864-0-00	35
					1	20865-0-00	36
					1	20866-0-00	37
					1	20867-0-00	38
					1	20868-0-00	39
					1	20869-0-00	40
					1	20870-0-00	41
					1	20871-0-00	42
					1	20872-0-00	43
					1	20873-0-00	44
					1	20874-0-00	45
					1	20875-0-00	46
					1	20876-0-00	47
					1	20877-0-00	48
					1	20878-0-00	49
					1	20879-0-00	50
					1	20880-0-00	51
					1	20881-0-00	52
					1	20882-0-00	53
					1	20883-0-00	54
					1	20884-0-00	55
					1	20885-0-00	56
					1	20886-0-00	57
					1	20887-0-00	58
					1	20888-0-00	59
					1	20889-0-00	60
					1	20890-0-00	61
					1	20891-0-00	62
					1	20892-0-00	63
					1	20893-0-00	64
					1	20894-0-00	65
					1	20895-0-00	66
					1	20896-0-00	67
					1	20897-0-00	68
					1	20898-0-00	69
					1	20899-0-00	70
					1	20900-0-00	71
					1	20901-0-00	72
					1	20902-0-00	73
					1	20903-0-00	74
					1	20904-0-00	75
					1	20905-0-00	76
					1	20906-0-00	77
					1	20907-0-00	78
					1	20908-0-00	79
					1	20909-0-00	80
					1	20910-0-00	81
					1	20911-0-00	82
					1	20912-0-00	83
					1	20913-0-00	84
					1	20914-0-00	85
					1	20915-0-00	86
					1	20916-0-00	87
					1	20917-0-00	88
					1	20918-0-00	89
					1	20919-0-00	90
					1	20920-0-00	91
					1	20921-0-00	92
					1	20922-0-00	93
					1	20923-0-00	94
					1	20924-0-00	95
					1	20925-0-00	96
					1	20926-0-00	97
					1	20927-0-00	98
					1	20928-0-00	99
					1	20929-0-00	100

Fig. N. Abb. N.	Part. N. Bestell N. Piece N. Pieza N.	Qt. Anzahl	DESCRIZIONE	DESCRIPTION	BENENNUNG	DESCRIPTION	DESCRIPCION
1	206572-4-00	1	albero colt.sup.con stoppino	shaft			
2	202130-0-10	1	perno	pin			
3	202127-0-10	1	placchetta	plate			
4	744533-0-00	1	vite	screw			
5	778832-0-00	1	stoppino	wick			
6	202131-0-10	1	nasello	snug			
7	200653-0-10	1	carterino	cover			
8	202496-0-10	1	vite	screw			
9	744334-2-00	1	vite	screw			
10	206574-2-00	1	manov.slb.colt.sup.	crank for upper knife shaft			
11	705029-0-00	1	rondella	washer			
12	202132-0-10	1	porta colt.infer.	lower knife holding			
13	704409-0-00	1	rondella	washer			
14	742457-2-00	1	vite	screw			
15	203774-0-10	1	piastra ferma salva ago	plate			
16	741445-0-00	1	vite	screw			
17	203775-0-10	1	squadretta	bracket			
18	727758-0-00	1	vite	screw			
19	206758-0-10	1	puntalino	pin			
20	202128-0-10	1	molla	spring			
21	202134-0-11	1	perno	pin			
22	722471-2-00	1	vite	screw			
23	704802-0-00	1	rondella	washer			
24	202129-0-10	1	bussola	bush			
25	206757-0-00	1	bussola	bush			

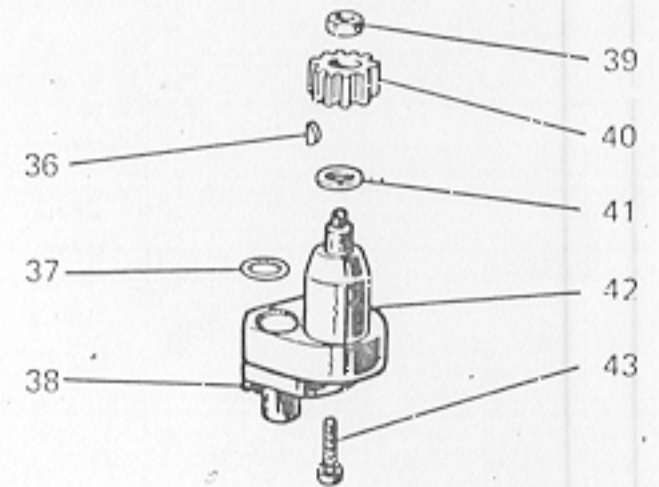
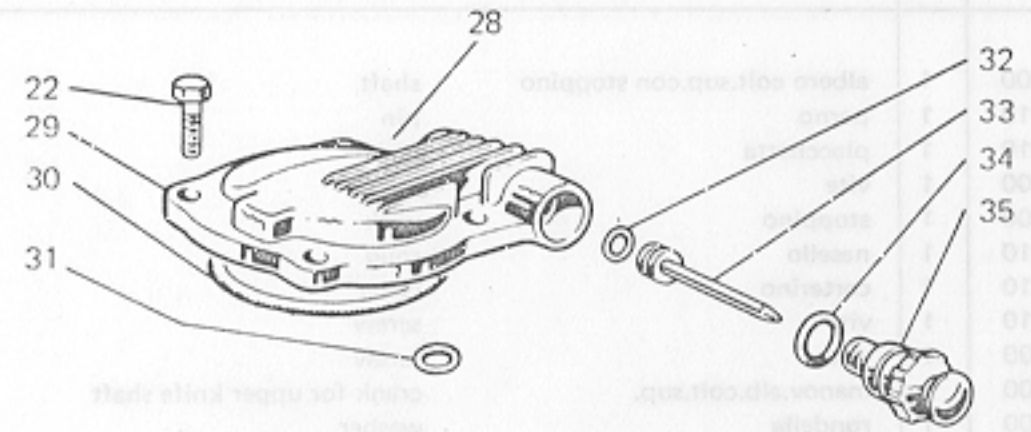
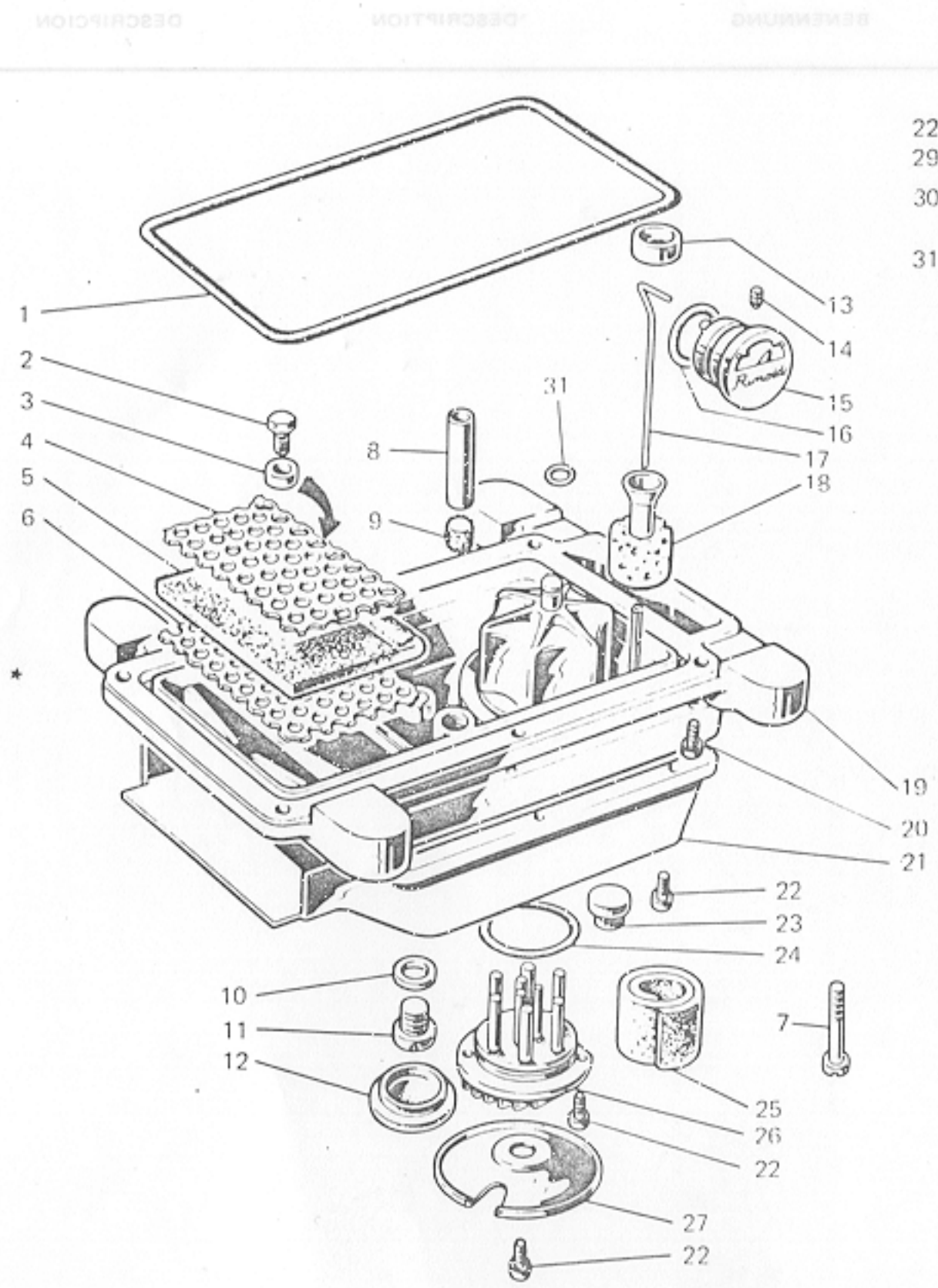


Fig. N. Abb. N.	Part. N. Bestell N. Pieza N.	Qt. Anzahl	DESCRIZIONE	DESCRIPTION	BENENNUNG	DESCRIPTION	DESCRIPCION
★	206510-4-00	1	bacinella olio compl.	oil sump assembly			
1	206570-0-00	1	guarnizione bacinella	gasket			
2	721484-2-00	1	vite	screw			
3	990335-0-10	1	distanziale	spacer			
4	206567-0-00	1	lamiera forata sup.	upper sheet			
5	206566-0-00	1	filtro	filter			
6	206565-0-00	1	lamiera forata inf.	lower sheet			
7	2066420-00	1	vite	screw			
8	206568-0-00	1	tubetto	tube			
9	206569-0-00	1	filtro	filter			
10	705577-0-00	1	rondella	washer			
11	206564-0-00	1	tappo	plug			
12	206752-0-00	1	tappo	plug			
13	206667-0-00	1	tappo decompressione	plug			
14	745812-2-00	4	vite	screw			
15	206669-2-00	1	indicatore livello olio	oil level gauge			
16	701032-0-00	1	anello di tenuta	oil ring			
17	206666-0-00	1	astina indicat.liv.olio	stick			
18	206665-2-00	1	galleggiante compl.	float			
19	206509-3-00	1	bacinella	oil sump			
20	722442-2-00	6	vite	screw			
21	206750-0-00	1	convogliatore	conveyor			
22	721464-2-00	13	vite	screw			
23	206751-0-00	4	tampone	pad			
24	701050-0-00	1	guarnizione	gasket			
25	206559-0-00	1	filtro	filter			
26	206550-0-00	1	coperchio	cover			
27	206753-0-00	1	coperchio	cover			
28	206742-4-00	1	coperchio distribuzione olio	oil distributor cover			
29	206736-2-00	1	coperchio	cover			
30	701151-0-00	1	anello di tenuta	oil ring			
31	701005-0-00	2	anello di tenuta	oil ring			
32	701104-0-00	1	anello di tenuta	oil ring			
33	206743-3-00	1	ugello	nozzle			
34	701113-0-00	1	anello di tenuta	oil ring			
35	206739-0-00	1	spia olio	oil window			
36	206557-0-00	1	chiavetta	key			
37	701004-0-00	1	anello di tenuta	oil ring			
38	721474-2-00	2	vite	screw			
39	733507-0-00	1	dado	nut			
40	206555-0-00	1	ruota	wheel			
41	704813-0-00	1	rondella	washer			
42	206550-4-00	1	gruppo pompa olio	oil pump assembly			
43	722481-2-00	2	vite	screw			

Fig. N. Abb. N.	Part. N. Bestell N. Piece N. Pieza N.	Gt. Anzahl	DESCRIZIONE	DESCRIPTION	BENENNUNG	DESCRIPTION	DESCRIPCION
1	202140-0-10	1	salva ago	rear needle guard			
2	202137-0-10	1	spingi asola	front needle guard			
3	204021-0-10	1	crochet superiore	upper looper			
4	202095-0-11	1	crochet inferiore	lower looper			
5	202504-0-10	1	placca ago	needle plate			
6	202061-0-10	1	griffino	chaining feed dog			
7	202057-0-10	1	griffa sussidiaria	subsidiary feed dog			
8	202053-0-10	1	griffa principale	main feed dog			
9	207000-2-00	1	coltello superiore	upper knife			
10	207015-2-00	1	coltello inferiore	lower knife			
11	202192-0-10	1	piastrina	sheet			
12	741413-0-00	1	vite fissa piastrina	screw			
13	741665-0-00	1	vite fissa linguetta	screw			
14	741431-0-00	1	vite fissa blocchetto	screw			
15	202184-0-10	1	blocchetto	block			
16	202201-0-10	1	staffa	bracket			
17	202195-0-10	1	linguetta	tongue			
*	202171-3-00	1	pieдино completo	presserfoot assembly			
			<u>SOLO A RICHIESTA</u>	<u>ONLY ON REQUEST</u>			
3	202092-0-10	1	crochet superiore cieco	upper looper			
	204033-0-00	1	crochet superiore	upper looper			
4	202094-0-11	1	crochet inferiore	lower looper			
5	202148-0-10	1	placca ago	needle plate			
G	202506-4-10	1	placca ago con piastrina	needle plate with sheet			
H	202505-0-10	1	placca	plate			
I	744510-0-00	1	vite	screw			
L	202302-0-10	1	piastrina	sheet			
	202507-0-10	1	placca ago	needle plate			
	202508-0-10	1	placca ago	needle plate			
	202590-0-10	1	placca ago	needle plate			
7	202060-2-11	1	griffa sussidiaria in Vulkollan	subsidiary feed dog in Vulkollan			
	202758-0-00	1	griffa sussidiaria	subsidiary feed dog			
8	202056-2-11	1	griffa princ. in Vulkollan	main feed dog in Vulkollan			
	202757-0-00	1	griffa principale	main feed dog			
9	202142-0-10	1	coltello superiore	upper knife			
	202143-0-10	1	coltello super.dentato	upper knife serrated			
	207008-2-00	1	coltello super. con placchetta	upper knife			
10	202146-0-10	1	coltello inferiore	lower knife			

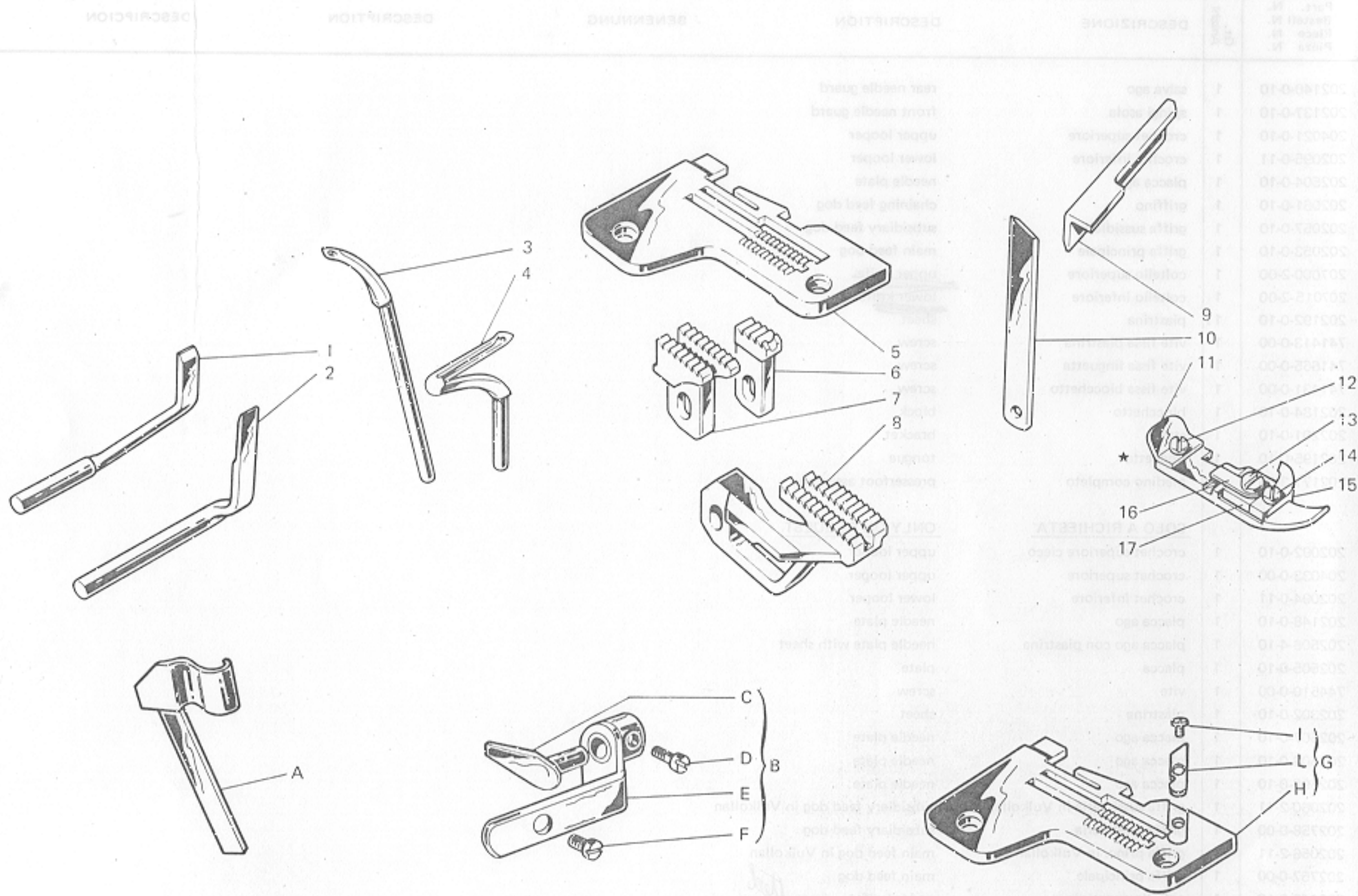
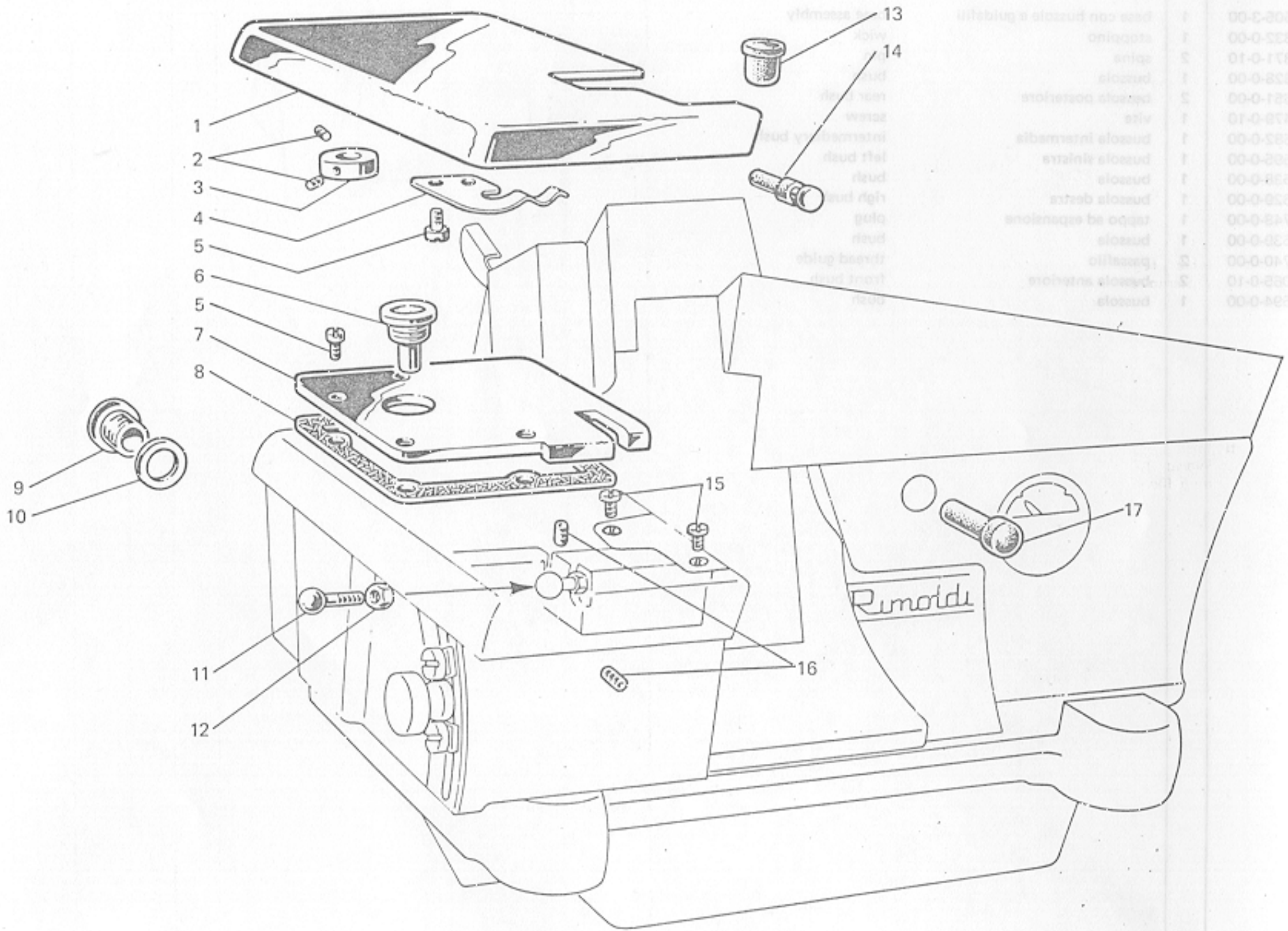


Fig. N. Abb. N.	Part. N. Bestell N. Pezze N. Piaza N.	Qt. Anzahl	DESCRIZIONE	DESCRIPTION	BENENNUNG	DESCRIPTION	DESCRIPCION
11	202509-3-10	1	pedinc completo	presserfoot assembly			
	202172-3-10	1	pedino completo	presserfoot assembly			
	202173-3-10	1	pedino completo	presserfoot assembly			
A	202300-0-10	1	guida per non tagliare tess.	guide			
B	202767-4-10	1	guida per non tagliare tess.	guide			
C	202769-2-10	1	guida	guide			
D	742811-0-00	1	vite	screw			
E	202772-2-10	1	squadretta	bracket			
F	721443-2-00	1	vite	screw			

DESCRIPTION	DESCRIPTION	BENENNING	DESCRIPTION	DESCRIZIONE	Q.TA	Part. N. Descr. N. Part. N.	N.
					1	202508-3-10	11
					1	202173-3-10	
					1	202173-0-10	
					1	202300-0-10	A
					1	202377-4-10	B
					1		C
					1		D
					1		E
					1		F
					1		G
					1		H
					1		I
					1		J
					1		K
					1		L
					1		M
					1		N
					1		O
					1		P
					1		Q
					1		R
					1		S
					1		T
					1		U
					1		V
					1		W
					1		X
					1		Y
					1		Z
					1		AA
					1		AB
					1		AC
					1		AD
					1		AE
					1		AF
					1		AG
					1		AH
					1		AI
					1		AJ
					1		AK
					1		AL
					1		AM
					1		AN
					1		AO
					1		AP
					1		AQ
					1		AR
					1		AS
					1		AT
					1		AU
					1		AV
					1		AW
					1		AX
					1		AY
					1		AZ
					1		BA
					1		BB
					1		BC
					1		BD
					1		BE
					1		BF
					1		BG
					1		BH
					1		BI
					1		BJ
					1		BK
					1		BL
					1		BM
					1		BN
					1		BO
					1		BP
					1		BQ
					1		BR
					1		BS
					1		BT
					1		BU
					1		BV
					1		BW
					1		BX
					1		BY
					1		BZ
					1		CA
					1		CB
					1		CC
					1		CD
					1		CE
					1		CF
					1		CG
					1		CH
					1		CI
					1		CJ
					1		CK
					1		CL
					1		CM
					1		CN
					1		CO
					1		CP
					1		CQ
					1		CR
					1		CS
					1		CT
					1		CU
					1		CV
					1		CW
					1		CX
					1		CY
					1		CZ
					1		DA
					1		DB
					1		DC
					1		DD
					1		DE
					1		DF
					1		DG
					1		DH
					1		DI
					1		DJ
					1		DK
					1		DL
					1		DM
					1		DN
					1		DO
					1		DP
					1		DQ
					1		DR
					1		DS
					1		DT
					1		DU
					1		DV
					1		DW
					1		DX
					1		DY
					1		DZ
					1		EA
					1		EB
					1		EC
					1		ED
					1		EE
					1		EF
					1		EG
					1		EH
					1		EI
					1		EJ
					1		EK
					1		EL
					1		EM
					1		EN
					1		EO
					1		EP
					1		EQ
					1		ER
					1		ES
					1		ET
					1		EU
					1		EV
					1		EW
					1		EX
					1		EY
					1		EZ
					1		FA
					1		FB
					1		FC
					1		FD
					1		FE
					1		FF
					1		FG
					1		FH
					1		FI
					1		FJ
					1		FK
					1		FL
					1		FM
					1		FN
					1		FO
					1		FP
					1		FQ
					1		FR
					1		FS
					1		FT
					1		FU
					1		FV
					1		FW
					1		FX
					1		FY
					1		FZ
					1		GA
					1		GB
					1		GC
					1		GD
					1		GE
					1		GF
					1		GG
					1		GH
					1		GI
					1		GJ
					1		GK
					1		GL
					1		GM
					1		GN
					1		GO
					1		GP
					1		GQ
					1		GR
					1		GS
					1		GT
					1		GU
					1		GV
					1		GW
					1		GX
					1		GY
					1		GZ
					1		HA
					1		HB
					1		HC
					1		HD
					1		HE
					1		HF
					1		HG
					1		HH
					1		HI
					1		HJ
					1		HK
					1		HL
					1		HM
					1		HN
					1		HO
					1		HP
					1		HQ
					1		HR
					1		HS
					1		HT
					1		HU
					1		HV
					1		HW
					1		HX
					1		HY
					1		HZ
					1		IA

DESCRIPTION	DESCRIPTION	BENENNUNG	DESCRIPTION	DESCRIZIONE	Q.tà	Part. N. Bastell. N. Place N. Place N.	Fig. N. App. N.
-------------	-------------	-----------	-------------	-------------	------	---	--------------------



1	20828-0-00	1	20828-0-00	1	20828-0-00	14
1	20828-0-00	1	20828-0-00	1	20828-0-00	13
2	20828-0-00	1	20828-0-00	1	20828-0-00	12
3	20828-0-00	1	20828-0-00	1	20828-0-00	11
4	20828-0-00	1	20828-0-00	1	20828-0-00	10
5	20828-0-00	1	20828-0-00	1	20828-0-00	9
6	20828-0-00	1	20828-0-00	1	20828-0-00	8
7	20828-0-00	1	20828-0-00	1	20828-0-00	7
8	20828-0-00	1	20828-0-00	1	20828-0-00	6
9	20828-0-00	1	20828-0-00	1	20828-0-00	5
10	20828-0-00	1	20828-0-00	1	20828-0-00	4
11	20828-0-00	1	20828-0-00	1	20828-0-00	3
12	20828-0-00	1	20828-0-00	1	20828-0-00	2
13	20828-0-00	1	20828-0-00	1	20828-0-00	1
14	20828-0-00	1	20828-0-00	1	20828-0-00	1

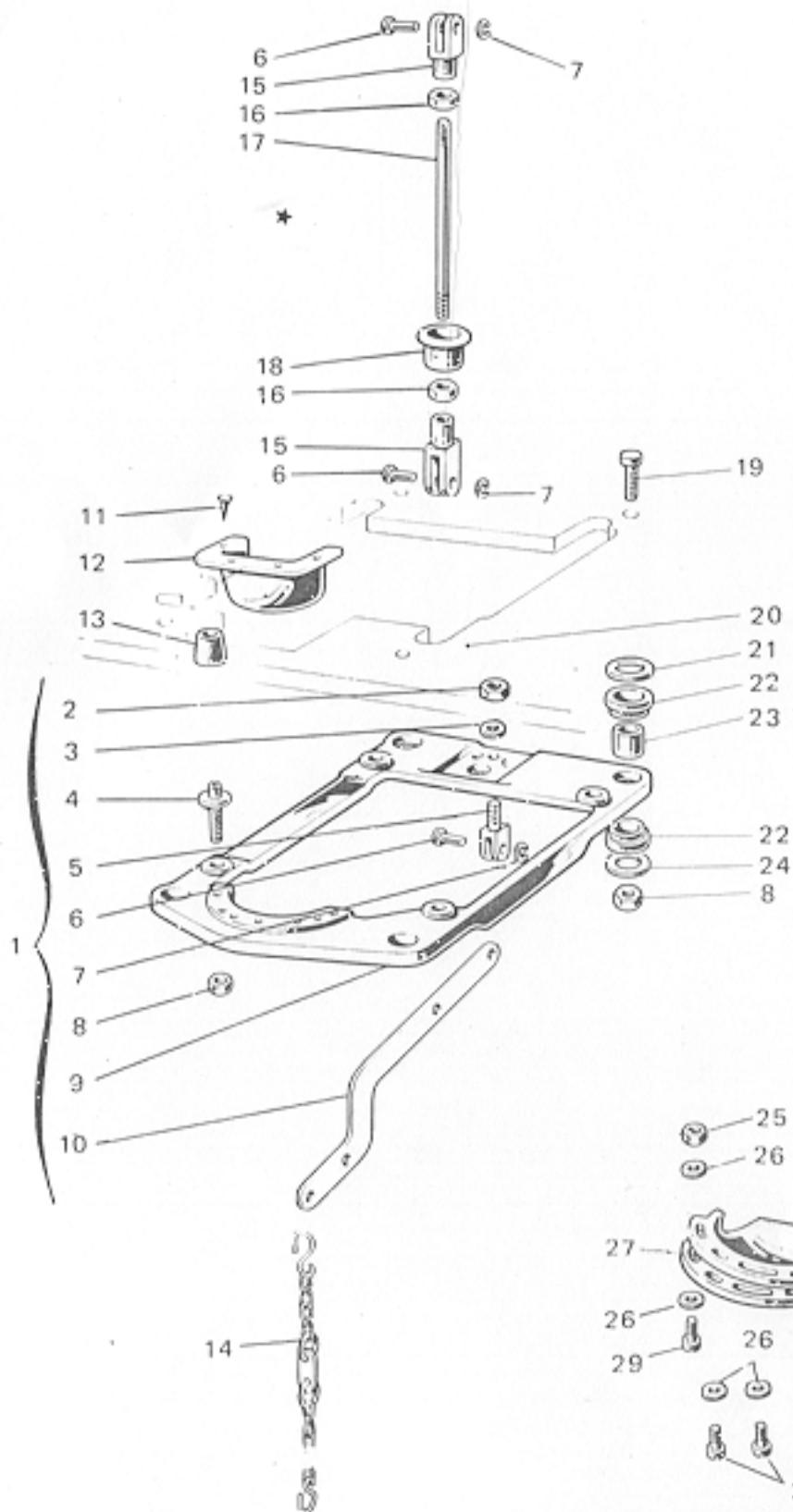
Fig. N.	Part. N.	Qt.	DESCRIZIONE	DESCRIPTION	BENENNUNG	DESCRIPTION	DESCRIPCION
1	990180-0-10	1	cacciavite grande	screw driver			
2	990181-0-10	1	cacciavite medio	screw driver			
3	990327-0-10	1	chiave da 7 mm.	7 mm key			
4	990639-0-10	1	chiave esag. da 3 mm.	ehexagonal key			
5	990685-0-10	1	chiave esag. da 2,5 mm.	ehexagonal key			
6	990325-0-10	1	chiave esagon. da 2 mm.	ehexagonal key			
7	990474-0-10	1	chiave esagon. da 1,5 mm.	ehexagonal key			
8	990183-0-12	1	cuffia protez. testa	machine cover			
9	990622-0-10	1	chiave poligonale da 9 mm.	9 mm. key			
10	990624-0-00	1	chiave poligonale da 7 mm.	7 mm. key			
11	990182-0-10	1	cacciavite piccolo	screw driver			
12	990324-0-10	1	chiave a tubo da 7 mm.	7 mm. key			
13	990585-0-10	1	chiave fissa da 4-5 mm.	4-5 mm. key			
14	990174-0-10	1	chiave da 7-9 mm.	7-9 mm. key			
15	990176-0-10	1	pinza per infilatura	threading clers			
16	990074-1-10	1	lettina olio da 1 kg.	oil container			
17	765200-6-90	10	aghi sist. RIM 27 fin. 90	needle RIM27 system			
18	990985-0-00	1	imbuto	oil funnel			

200
w
NEL

41

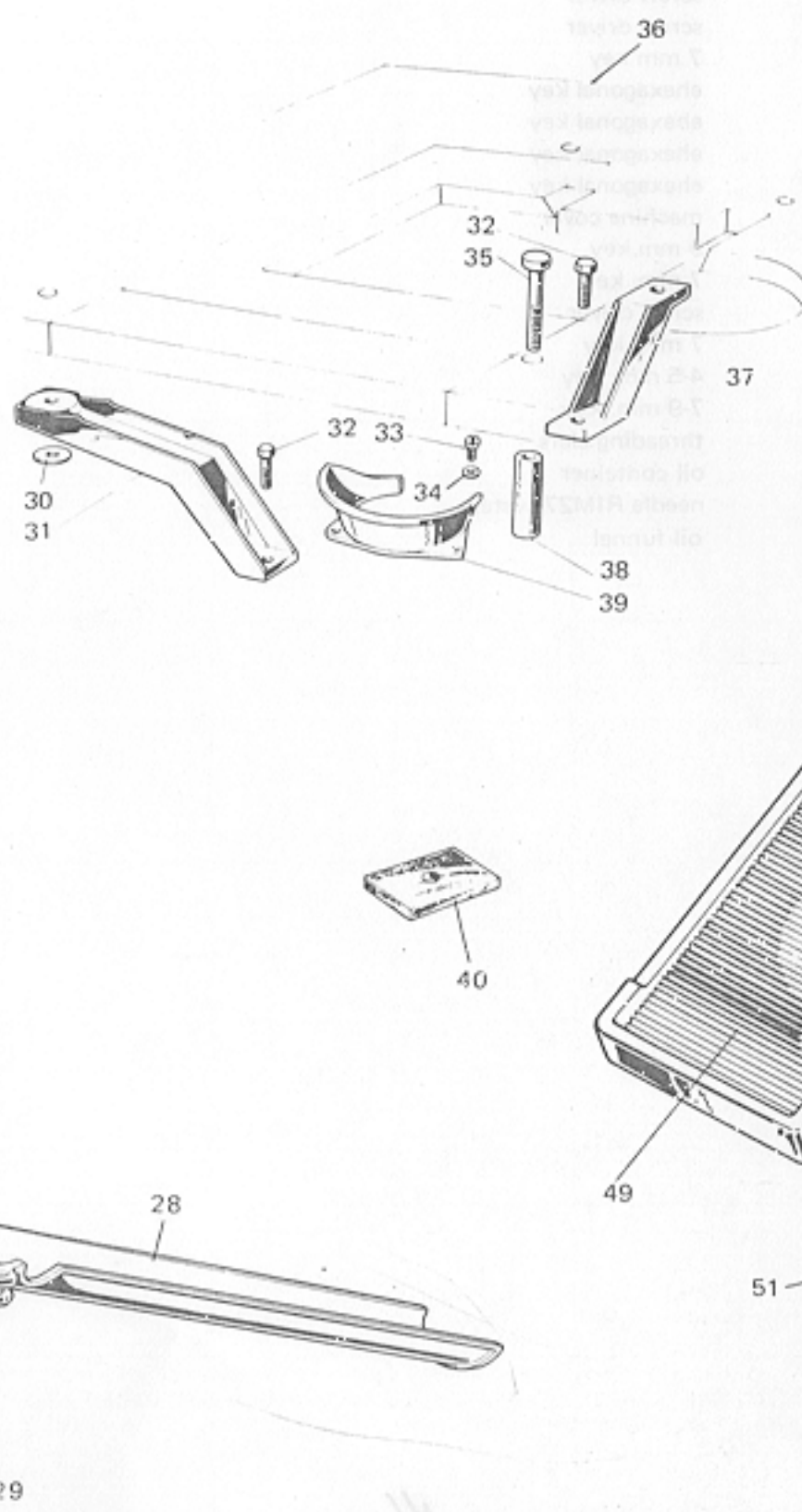
PIAZZAMENTO NORMALE

NORMAL SETTING



PIAZZAMENTO INCASSATO

SUBMERGED SETTING



PER PIAZZAMENTO CON MOTORE QUICK STOP TIPO D

FOR SETTING WITH QUICK STOP ENGINE TYPE D

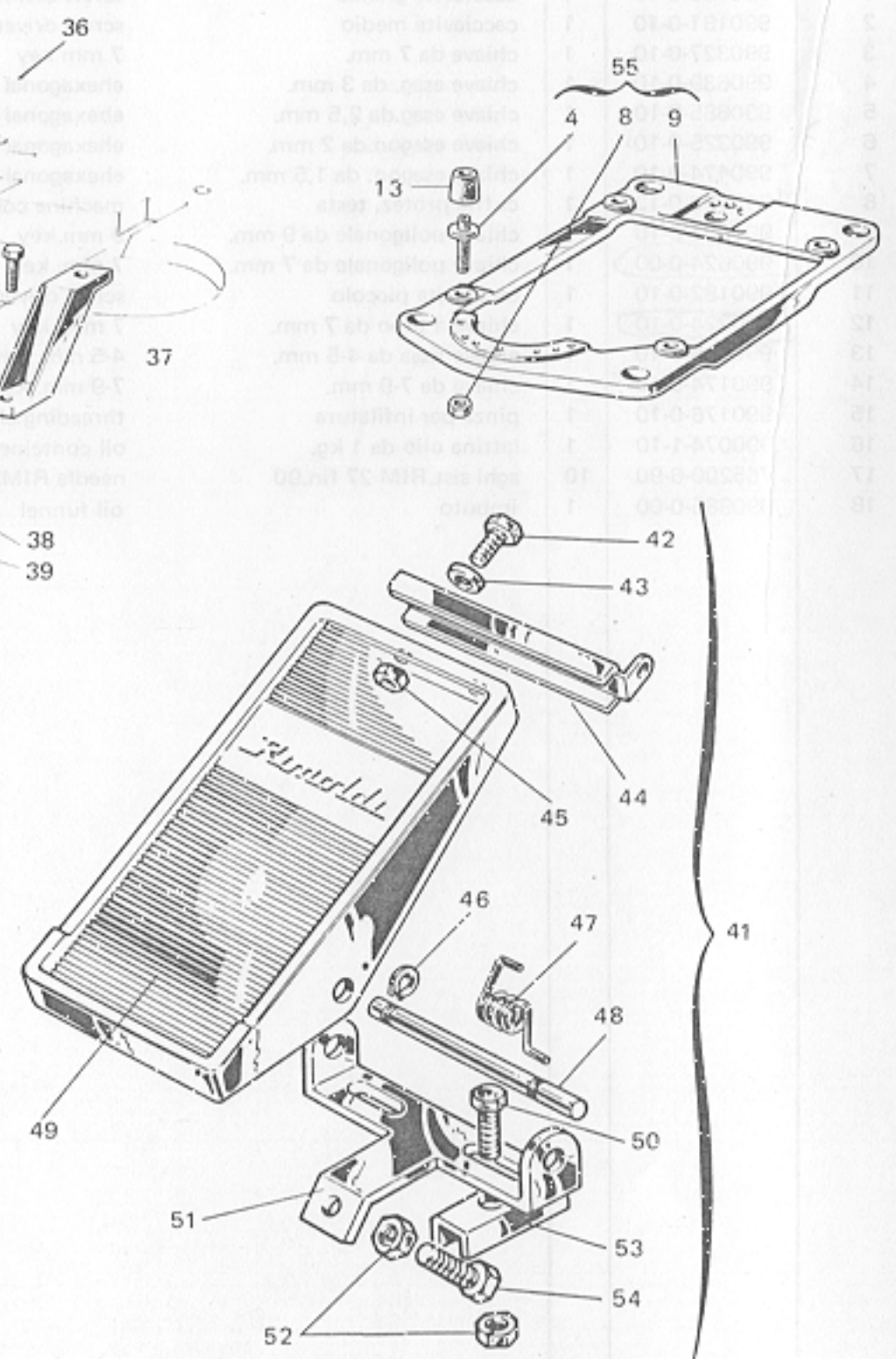
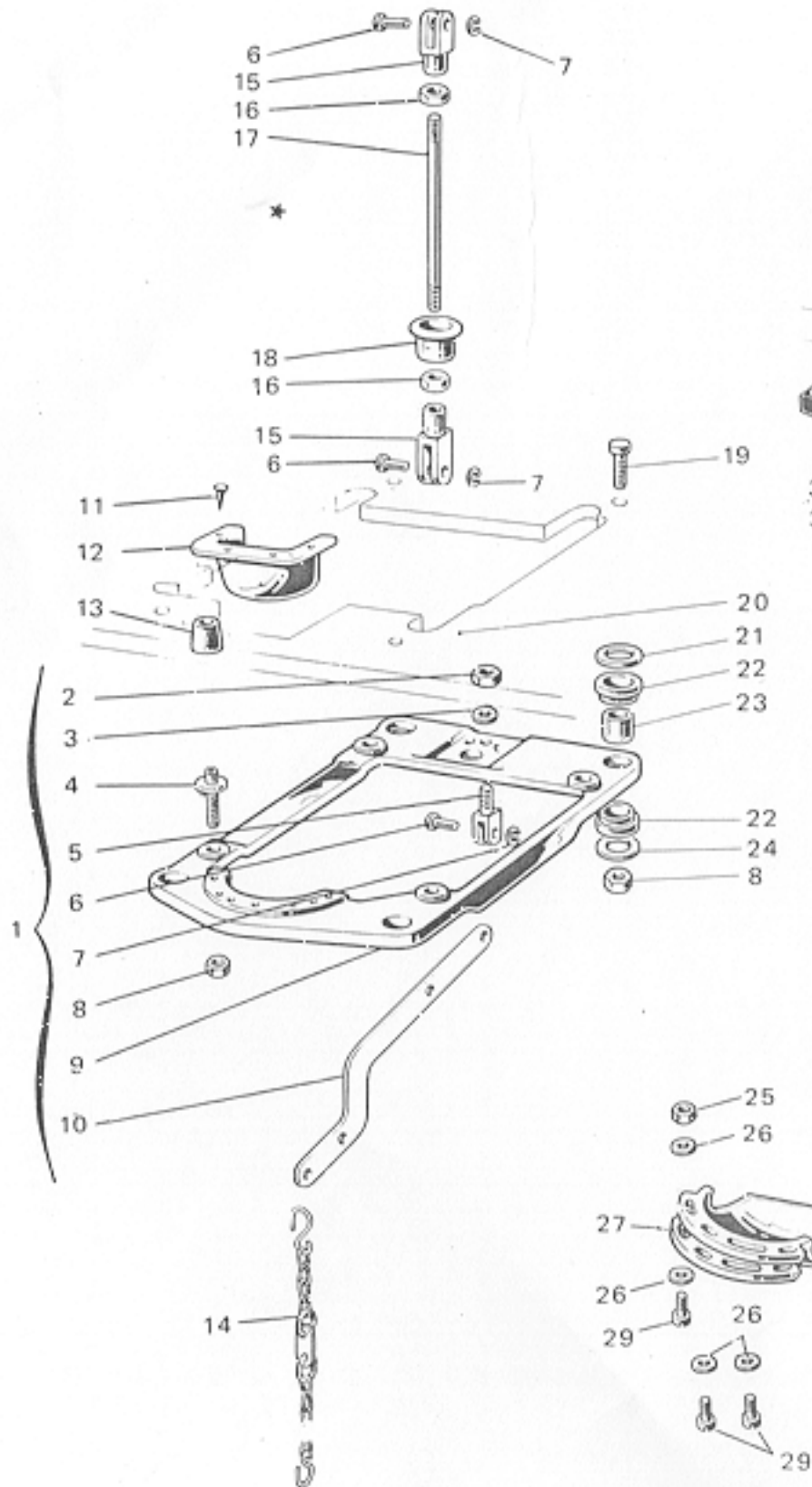
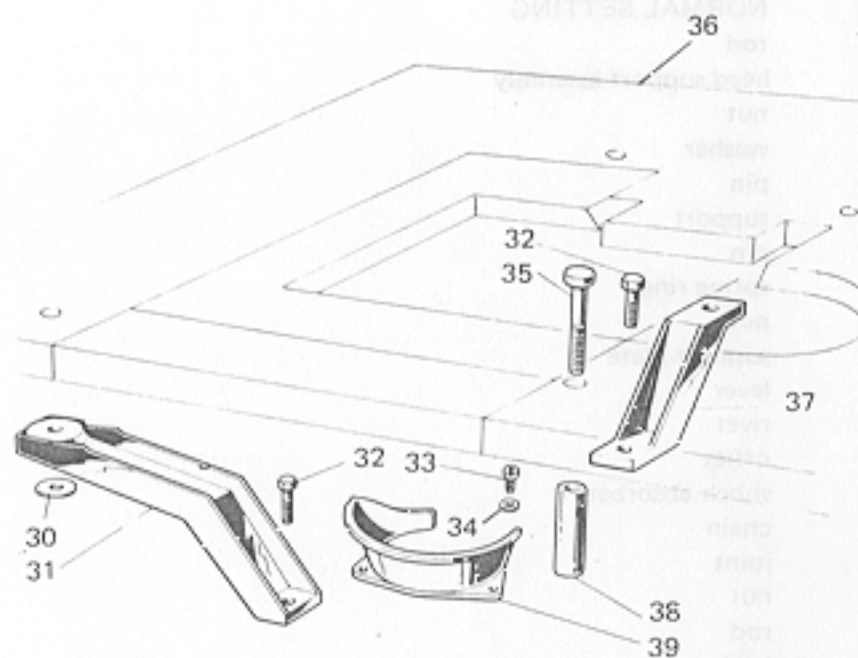


Fig. N. Abb.	Part. N. Bestell N. Piece N. Pieza N.	Gt. Anzahl	DESCRIZIONE	DESCRIPTION	BENENNUNG	DESCRIPTION	DESCRIPCION
★	990984-4-00	1	PIAZZAMENTO NORMALE	NORMAL SETTING			
1	990986-4-00	1	tirante alza piedino	rod			
2	746409-2-00	1	supporto testa completo	head support assembly			
3	704424-2-00	1	dado	nut			
4	900694-0-11	4	rondella	washer			
5	990314-0-00	1	perno	pin			
6	990311-0-10	3	supportino per leva	support			
7	700205-0-00	3	perno	pin			
8	733008-2-00	3	anello elastico	spring ring			
9	990981-0-00	1	dado	nut			
10	990316-0-10	1	piastra supporto testa	support plate			
11	990310-0-10	1	leva comando alza piedino	lever			
12	900201-0-10	4	chiodino	rivet			
13	991187-0-00	1	bocchetta scarica ritagli	offlet			
14	990982-0-00	4	ammortizzatore	shock absorber			
15	900179-4-11	1	catenella	chain			
16	990310-0-10	2	giunto	joint			
17	746402-0-00	2	dado	nut			
18	990983-0-00	1	tirante	rod			
19	900204-0-10	1	bussola	bush			
20	722905-2-00	4	vite	screw			
21	901120-2-00	1	tavola	table			
22	704346-2-00	4	rondella	washer			
23	901101-0-00	8	ammortizzatore	shock absorber			
24	901102-0-00	4	bussola	bush			
25	704345-2-00	4	rondella	washer			
55	990987-4-00	1	supporto testa completo solo per motore Quick Stop-tipo D	head support assembly-only for Quick Stop (type D) engine			
			VARIANTE PER PIAZZAMENTO INCASSATO	VARIATION FOR SUBMERGED SETTING			
30	704536-0-00	2	rondella	washer			
31	901105-0-00	1	staffa laterale	bracket			
32	720566-2-00	2	vite	screw			
33	721475-2-00	2	vite	screw			
34	704409-2-00	2	rondella	washer			
35	722917-2-00	2	vite	screw			
36	901123-4-00	1	tavola	table			
37	901104-0-00	1	staffa posteriore	rear bracket			
38	901103-0-00	2	distanziale	spacer			
39	991188-0-00	1	bocchetta scarica ritagli	offlet			

PIAZZAMENTO NORMALE
NORMAL SETTING



PIAZZAMENTO INCASSATO
SUBMERGED SETTING



PER PIAZZAMENTO CON MOTORE QUICK STOP TIPO D
FOR SETTING WITH QUICK STOP ENGINE TYPE D

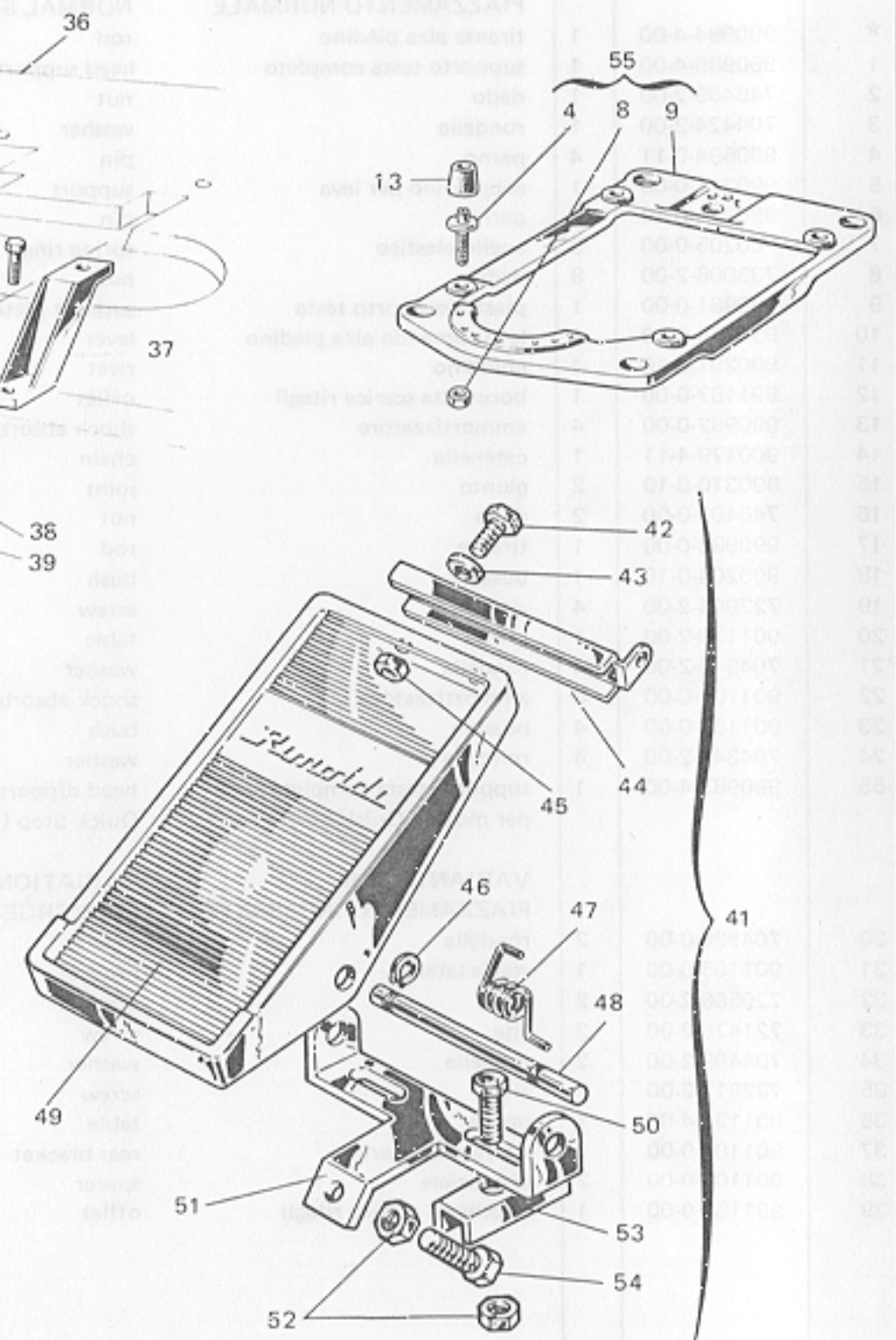
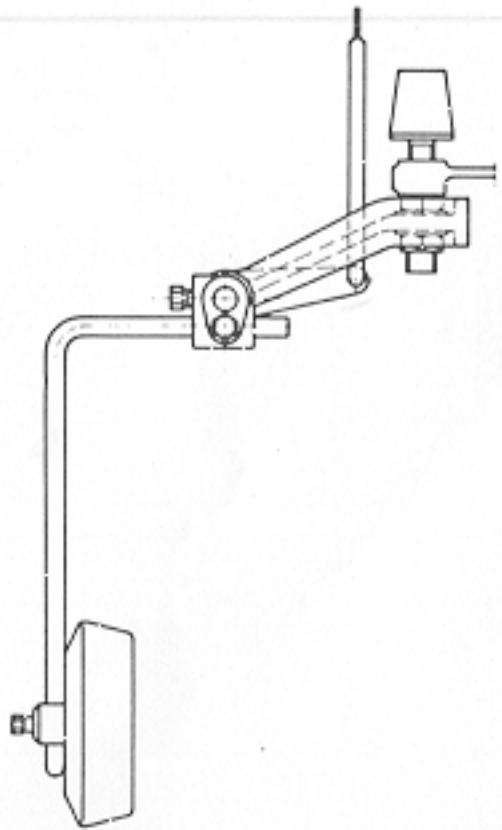


Fig. N. Abb. N.	Part. N. Bestell N. Pieze N. Pieza N.	Qt. Anzahl	DESCRIZIONE	DESCRIPTION	BENENNUNG	DESCRIPTION	DESCRIPCION
			PARTICOLARI COMUNI	PARTS FOR BOTH SETTINGS			
25	733507-2-00	1	dado	nut			
26	704409-2-00	4	rondella	washer			
27	991189-0-00	1	piastra rinforzo	plate			
28	991186-0-00	1	canale scarica ritagli	offlet			
29	742068-2-00	3	vite	screw			
40	900203-0-10	4	ammortizzatore per tavola	shock absorber			
41	900925-4-01	1	pedalina completa	pedal assembly			
42	720464-4-00	2	vite	screw			
43	704009-4-00	2	rondella	washer			
44	900926-0-00	1	attacco	attachment			
45	733508-4-00	2	dado	nut			
46	900918-0-00	2	anello elastico	spring ring			
47	900927-0-00	1	molla	spring			
48	900928-0-00	1	perno	pin			
49	900931-0-00	1	copertura	cover			
50	720505-4-00	2	vite	screw			
51	900920-0-00	2	piastrina	plate			
52	720545-4-00	1	vite	screw			
53	733510-4-00	3	dado	nut			
54	900929-0-01	1	supporto	support			

45

PIAZZAMENTO NORMALE
NORMAL SETTING



PIAZZAMENTO INCASSATO
SUBMERGED SETTING

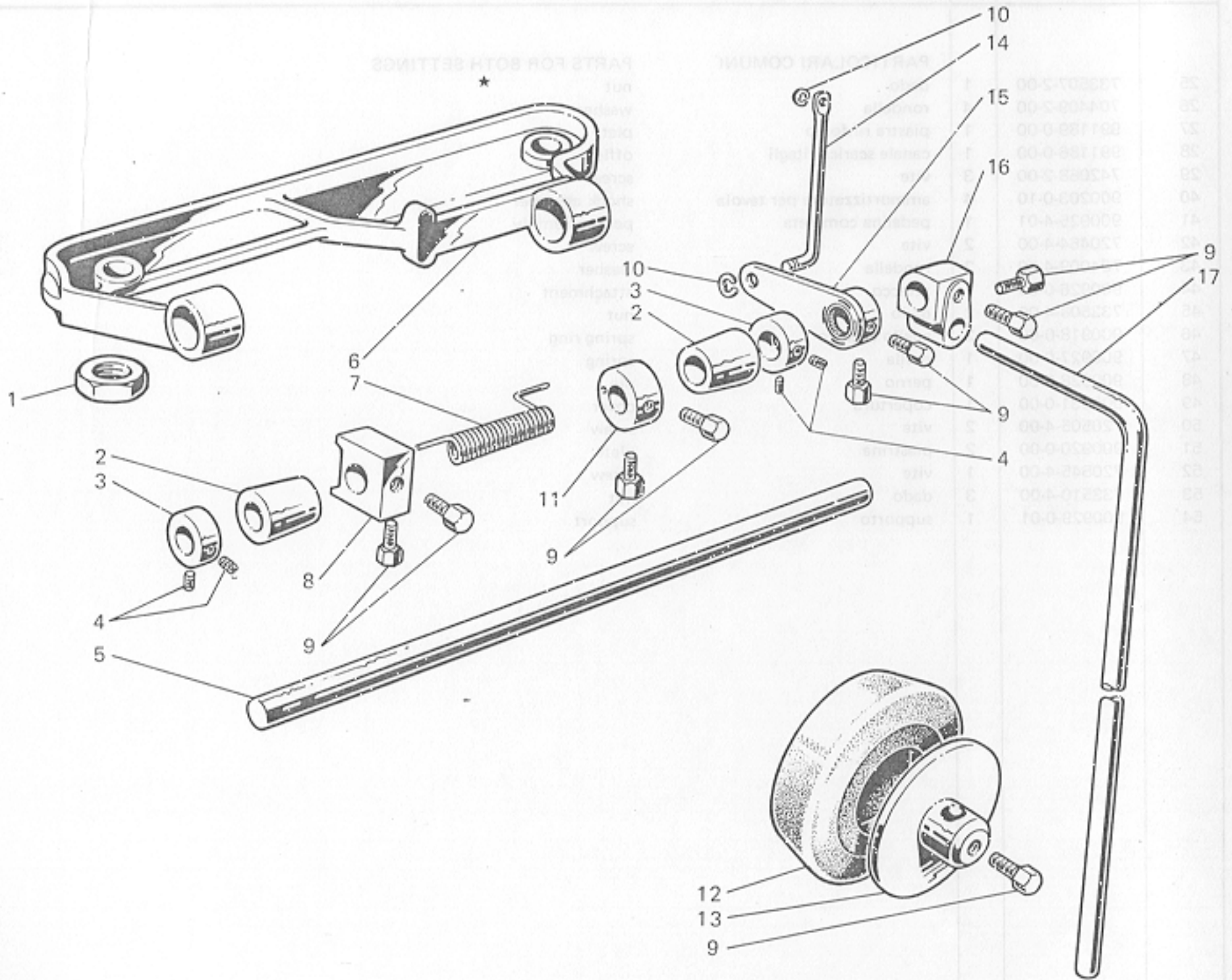
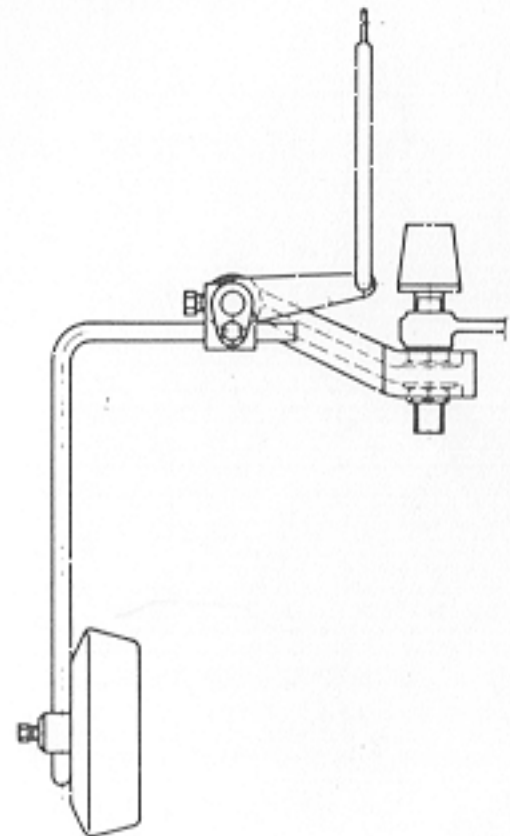
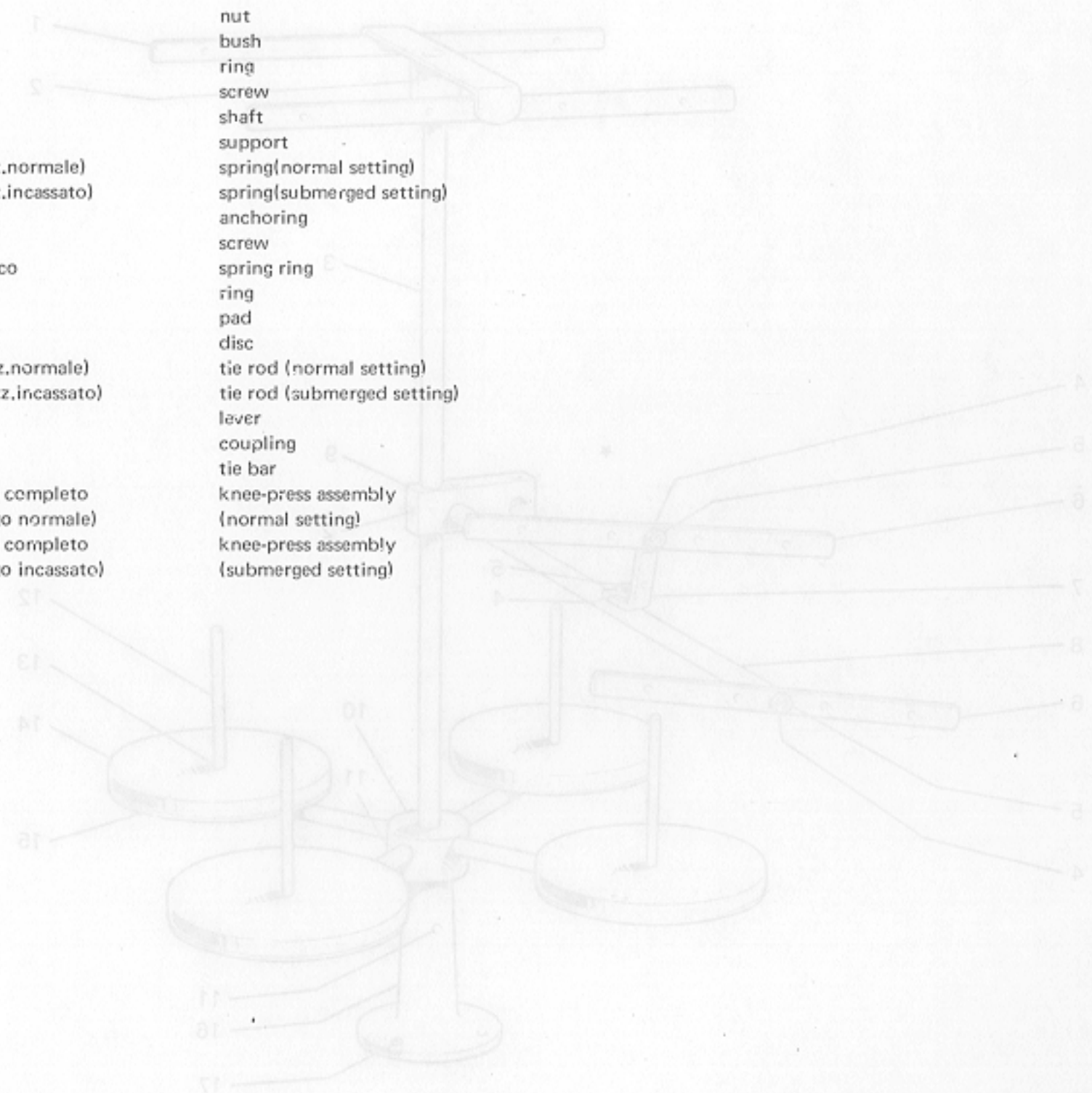
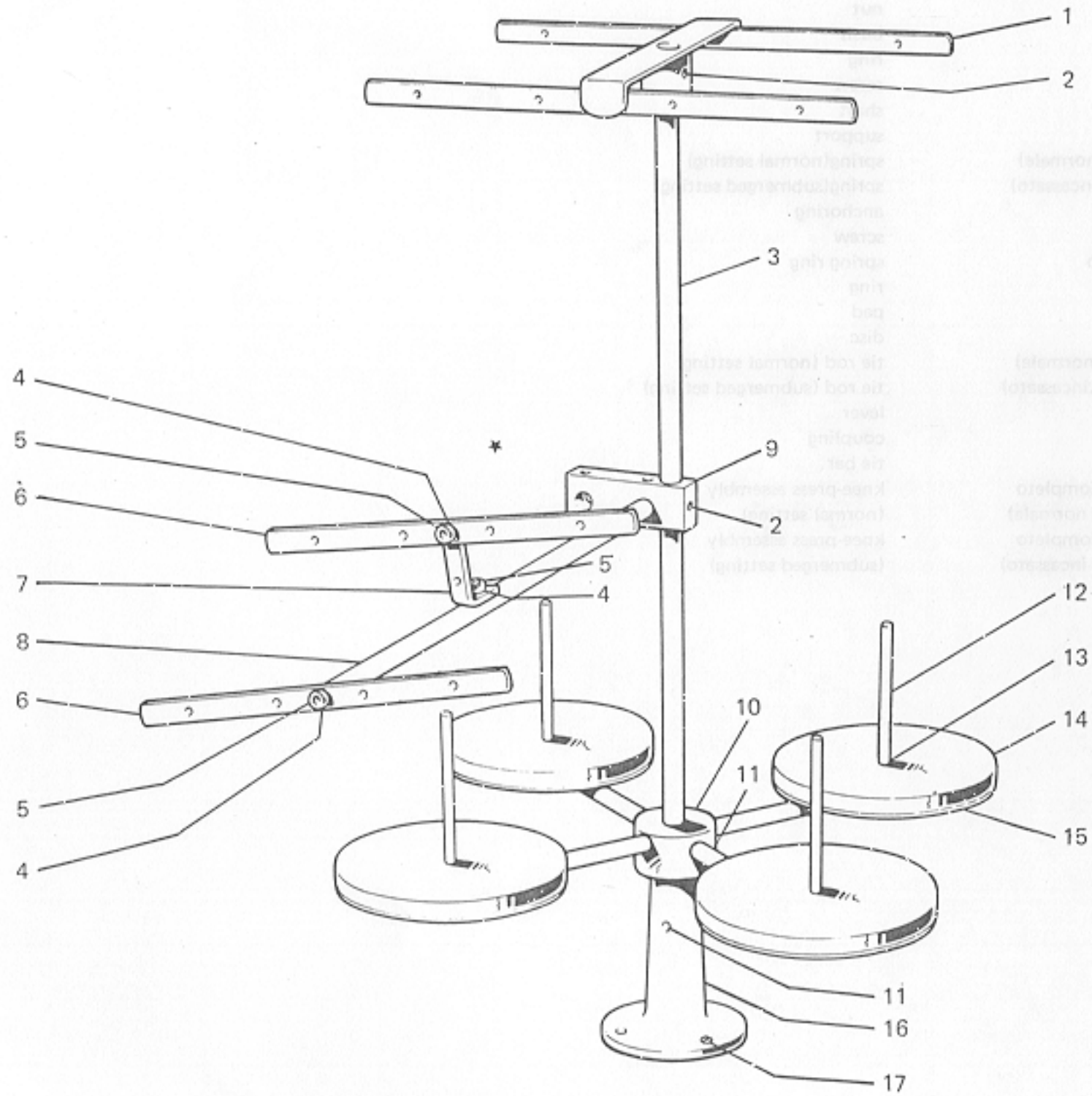


Fig. N. Abb. N.	Part. N. Bestell N. Pieza N.	Qt. Anzahl	DESCRIZIONE	DESCRIPTION	BENENNUNG	DESCRIPTION	DESCRIPCION
1	733008-2-00	2	dado	nut			
2	920231-0-00	2	bussola	bush			
3	202395-0-10	2	anello	ring			
4	727024-0-00	4	vite	screw			
5	920230-0-00	1	albero	shaft			
6	920241-0-00	1	supporto	support			
7	920235-0-10	1	molla (piazz.normale)	spring(normal setting)			
	920106-0-00	1	molla (piazz.incassato)	spring(submerged setting)			
8	920128-0-00	1	ancora	anchoring			
9	740035-0-00	9	vite	screw			
10	700206-0-00	2	anello elastico	spring ring			
11	920114-0-10	1	anello	ring			
12	920113-0-10	1	cuscinio	pad			
13	920105-0-10	1	disco	disc			
14	920236-0-00	1	tirante(piazz.normale)	tie rod (normal setting)			
	920237-0-00	1	tirante (piazz.incassato)	tie rod (submerged setting)			
15	920232-2-00	1	leva	lever			
16	920103-0-10	1	attacco	coupling			
17	920490-0-10	1	asta	tie bar			
*	920245-4-00	1	ginocchietto completo (piazzamento normale)	knee-press assembly (normal setting)			
	920246-4-00	1	ginocchietto completo (piazzamento incassato)	knee-press assembly (submerged setting)			





DESCRIPTION	DESCRIPTION	BENENHUNG	DESCRIPTION	DESCRIPTION	Part N.	Part N.	Part N.
-------------	-------------	-----------	-------------	-------------	---------	---------	---------

					1	2	3
					2	3	4
					3	4	5
					4	5	6
					5	6	7
					6	7	8
					7	8	9
					8	9	10
					9	10	11
					10	11	12
					11	12	13
					12	13	14
					13	14	15
					14	15	16
					15	16	17

Fig. N. Abb. N.	Part. N. Bestell N. Piece N. Pieza N.	Qt. Anzahl	DESCRIZIONE	DESCRIPTION	BENENNUNG	DESCRIPTION	DESCRIPCION
★	991120-6-00	1	porta bobine completo (3-4 fili)	bobbin carrier assembly (3-4 threads)			
	991127-4-00	1	telaietto suppl. compl.	supplementary frame assembly			
1	991121-3-00	1	telaietto supericre completo	upper frame assembly			
2	729034-2-00	3	vite	screw			
3	991113-0-00	1	asta principale	rod			
4	703005-0-00	3	rondella	washer			
5	722431-2-00	3	vite	screw			
6	991158-2-00	2	telaietto con bussole	frame with bushes			
7	991107-0-00	1	squadretta	bracket			
8	991106-0-00	1	asta	rod			
9	991128-0-00	1	blocchetto	block			
10	991129-3-00	1	mozzo con aste	hub with pin			
11	729054-2-00	3	vite	screw			
12	991111-0-00	4	astina	rod			
13	733508-2-00	8	dado	nut			
14	991179-0-00	4	dísc	disc			
15	991112-0-00	4	piatto	disc			
16	991114-0-00	1	basetta	base			
17	731107-6-00	3	vite a legno	screw			

DESCRIPTION

DESCRIPTION

BENENNUNG

DESCRIPTION

DESCRIZIONE

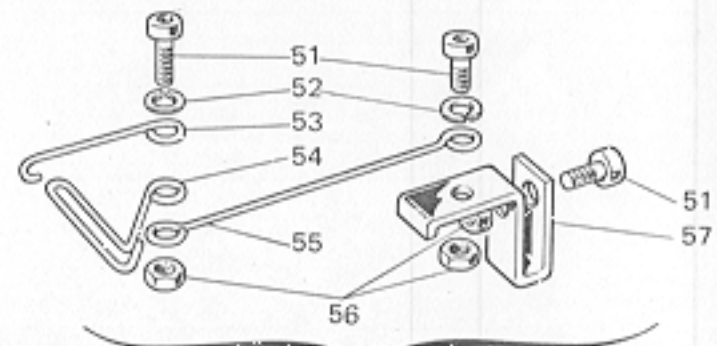
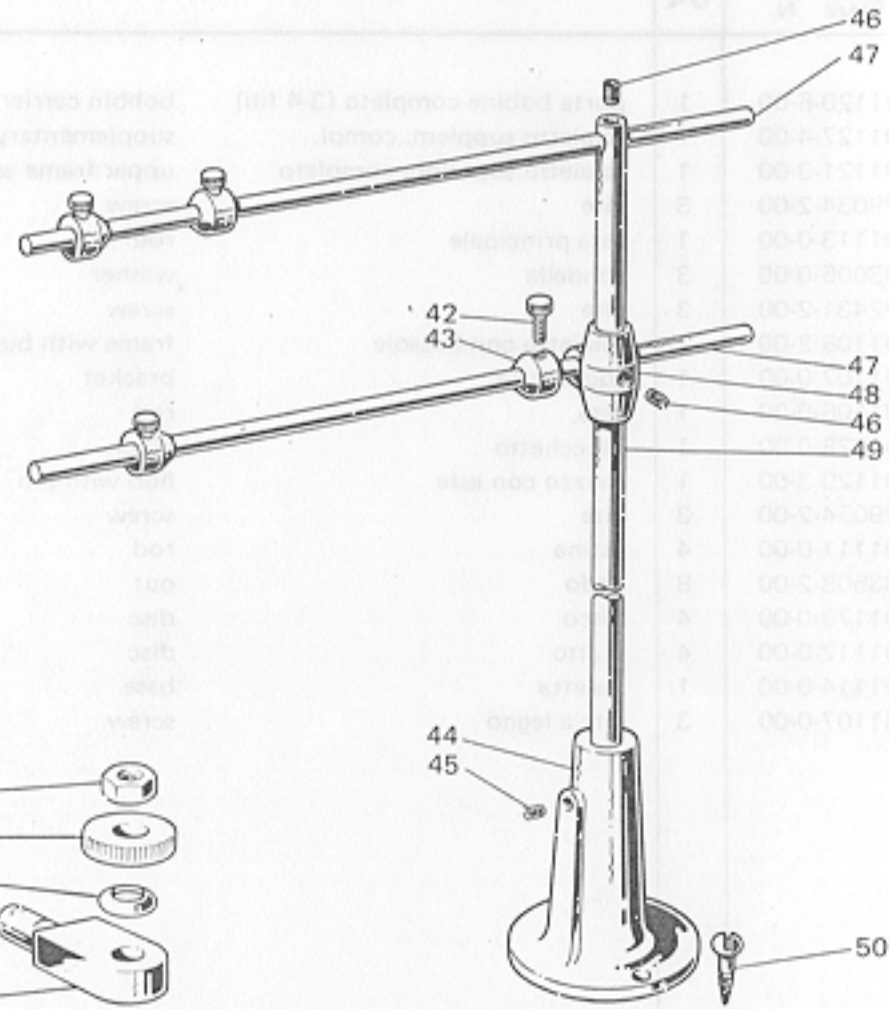
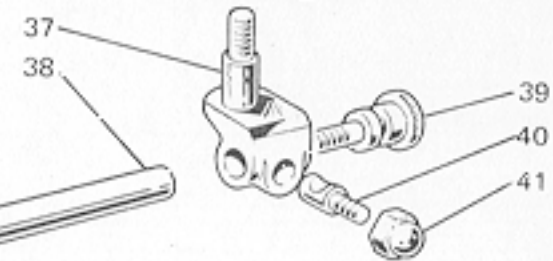
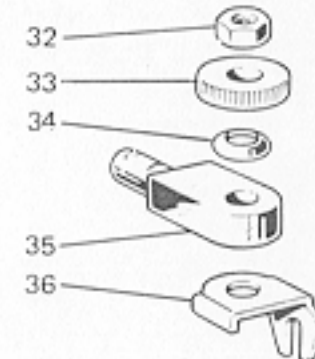
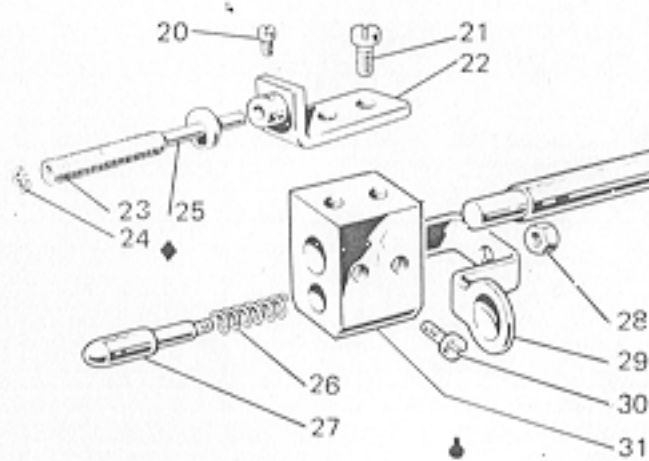
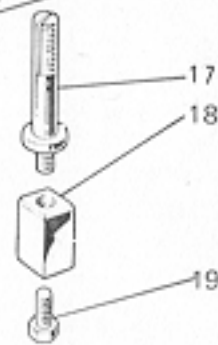
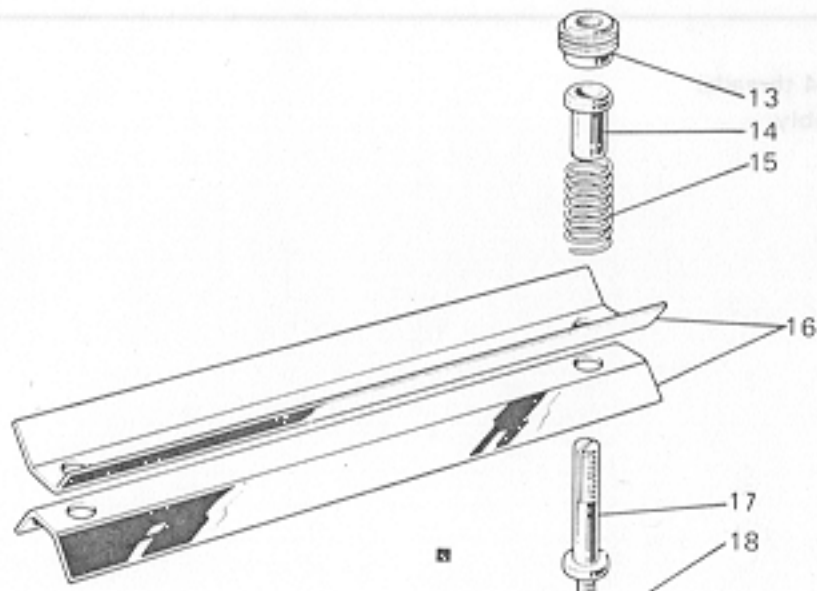
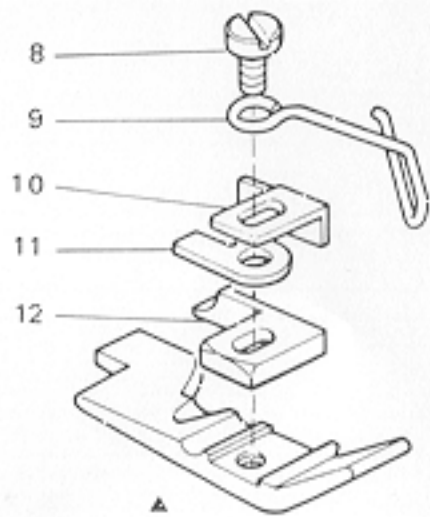
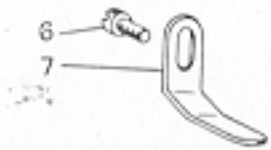
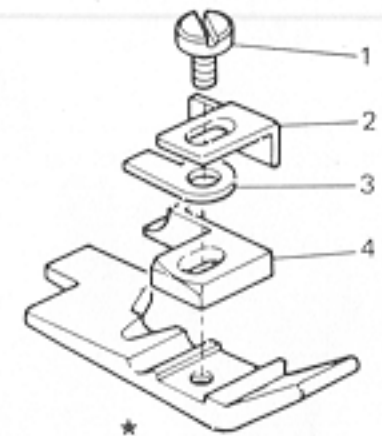


Fig. N. Abb.	Fart. N. Bestell N. Piece N. Pieza N.	Qt. Anzahl	DESCRIZIONE	DESCRIPTION	BENENNUNG	DESCRIPTION	DESCRIPCION
★	206723-4-00	1	piano di lavoro completo	working plate assembly			
1	206722-2-00	1	piano di lavoro	working plate			
2	745126-2-00	2	viti	screw			
3	202393-0-10	1	anello	ring			
4	206716-0-00	1	molla	spring			
5	721433-2-00	6	viti	screw			
6	206727-0-00	1	tappo carico olio	plug			
7	206725-2-00	1	coperchio cinematismo	cover			
8	206726-0-00	1	guarnizione	gasket			
9	202026-0-10	1	tappo	plug			
10	705957-0-00	1	rondella cartone	washer			
11	206715-0-00	1	vite testa sferica	screw			
12	746007-2-00	1	dado	nut			
13	206744-0-00	1	tampone	pad			
14	206534-0-00	1	tappo	plug			
15	744742-0-00	2	vite per placca ago	screw for needle plate			
16	729043-2-00	2	vite per salva ago e spingi asola	screw for rear and front needle guard			
17	202398-0-10	1	tappo	plug			

Fig. N. Abb. N.	Part. N. Bestell N. Piece N. Pieza N.	Qt. Anzahl	DESCRIZIONE	DESCRIPTION	BENENNUNG	DESCRIPTION	DESCRIPCION
★	202642-3-10	1	pedino completo	presserfoot assembly			
1	741675-2-00	1	vite	screw			
2	202648-0-10	1	piastrina	plate			
3	202201-0-10	1	staffa	bracket			
4	202660-0-10	1	linguetta	tongue			
5	200662-0-10	1	carterino coltello super.	cover upper knife			
6	203187-0-10	1	vite	screw			
7	206771-0-10	1	squadretta di fermo pedino	bracket			
			<u>Particolari a richiesta</u>	<u>Only on request</u>			
▲	202732-3-00	1	pedino completo	presserfoot assembly			
8	741685-0-00	1	vite	screw			
9	202193-0-10	1	guida	guide			
10	202648-0-10	1	piastrina	plate			
11	202201-0-10	1	staffa	bracket			
12	202660-0-10	1	linguetta	tongue			
■	990361-4-10	1	frenaggio elastico	elastic brake			
13	200699-0-10	2	pomolo	knob			
14	200074-0-10	2	bussola	bush			
15	200713-0-10	2	molla	spring			
16	990360-0-10	2	lamina di frenaggio	plate			
17	200698-0-10	2	perno a vite	pin			
18	990355-0-10	2	blocchetto	block			
19	740245-2-00	2	vite	screw			
●	202996-5-00	1	supporto regolabile con rullino	support			
20	741520-2-00	1	vite	screw			
21	721434-2-00	2	vite	screw			
22	202999-2-00	1	squadretta con bussola	bracket			
◆	202715-4-10	1	rullino con perno	roller for pin			
23	202665-0-10	1	rullino	roller			
24	700205-0-00	1	anello elastico	spring ring			
25	202714-0-10	1	perno	pin			
●	203239-4-10	1	blocchetto con perno	block for pin			
26	203198-0-10	1	molla	spring			
27	203253-0-10	1	pistoncino	piston			
28	746091-2-00	1	dado	nut			
29	203221-0-10	1	levetta	lever			
30	741642-2-00	2	vite	screw			
31	203238-0-10	1	corpo del pieghettatore	body			
▲▲	203223-4-10	1	gruppo supporto con asta	support assembly			
32	203795-0-10	1	dado	nut			
33	203716-0-10	1	pomolo	knob			
34	702408-0-00	1	molla a tazza	spring			
35	303713-0-10	1	sostegno	stand			
36	203794-0-10	1	forcella	fork			
37	203710-0-10	1	supporto girevole	support			
38	203227-0-10	1	asta	rod			
39	203715-0-10	1	vite	screw			
40	203714-0-10	1	nottolino	powl			
41	203212-0-10	1	dado	nut			
◆◆	990650-4-12	1	porta rotolo	bobbin carrier			
42	990596-0-10	4	pomolo	knob			
43	990594-0-10	4	anello conico	ring cone			
44	991114-0-00	1	base	base			

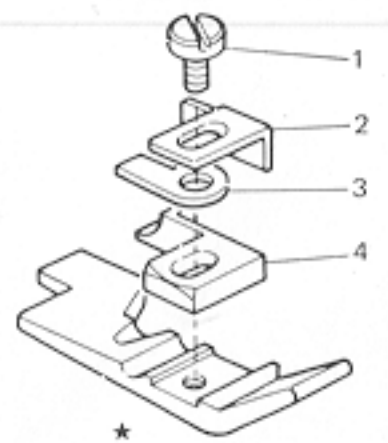
DESCRIPTION

DESCRIPTION

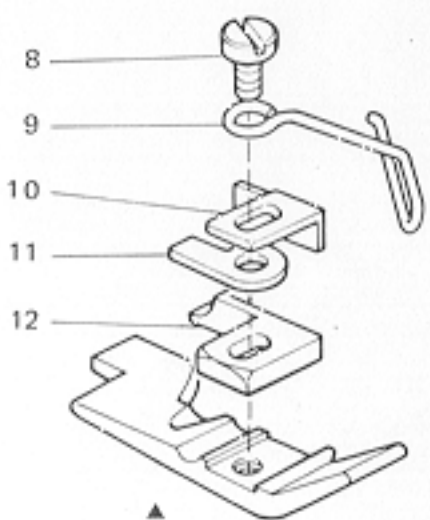
BENENNUNG

DESCRIPTION

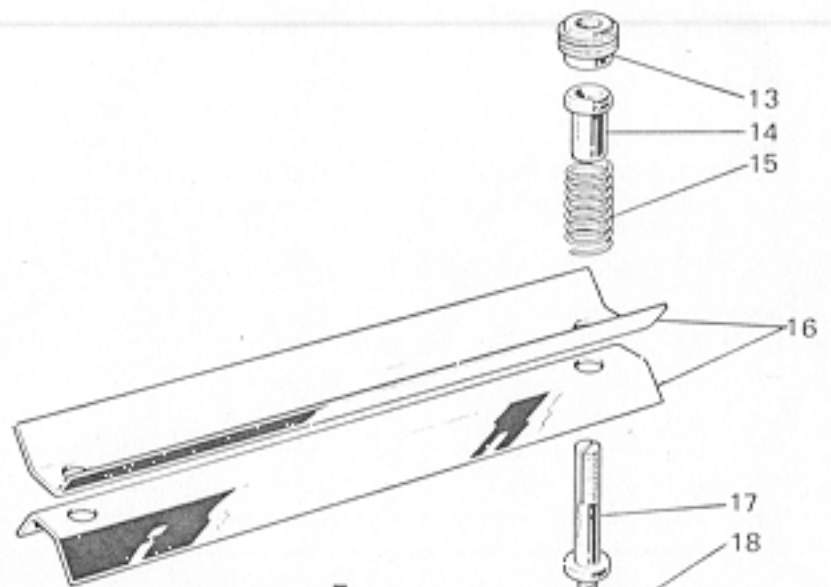
DESCRIZIONE



*



▲



■

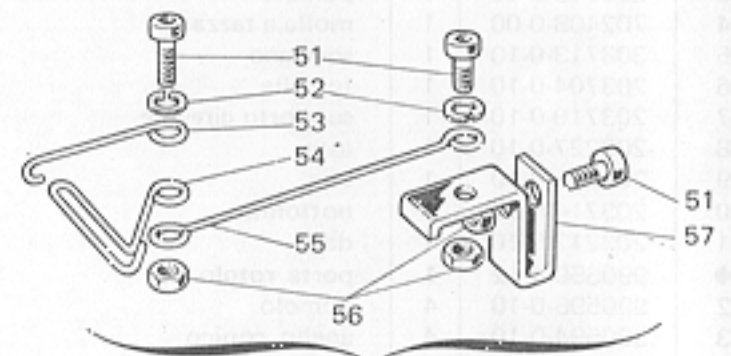
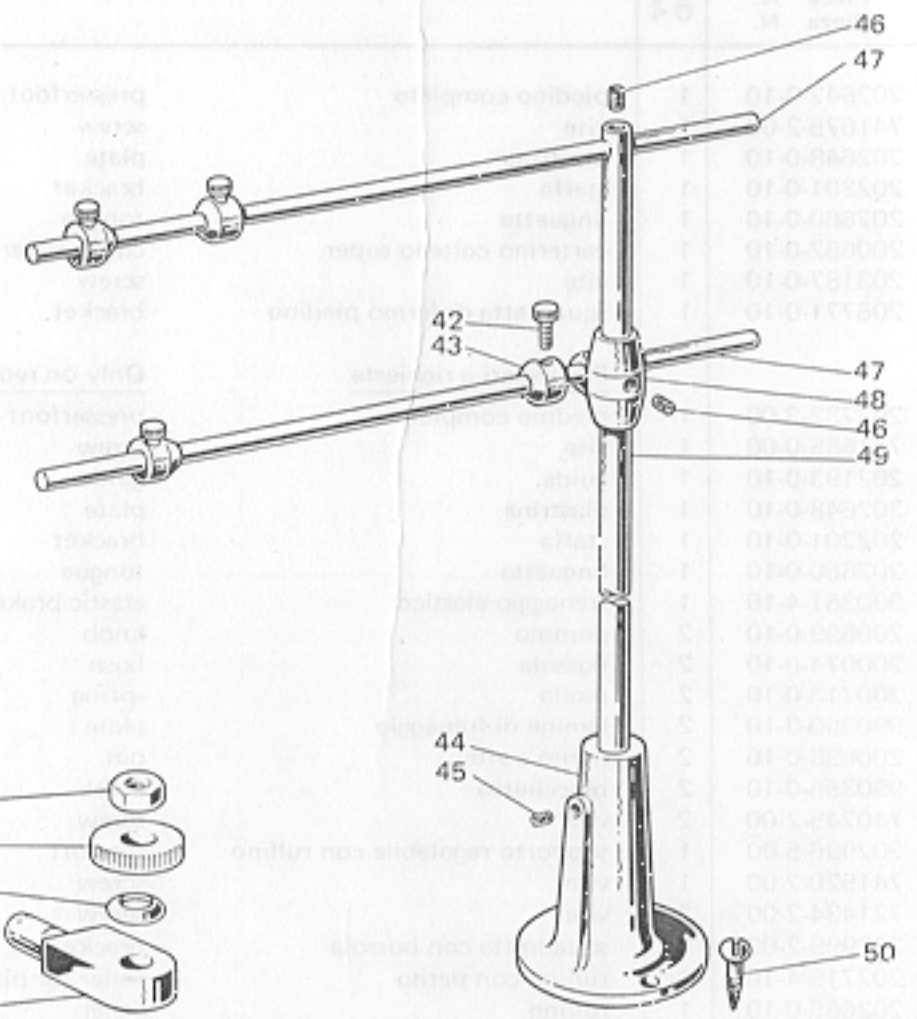
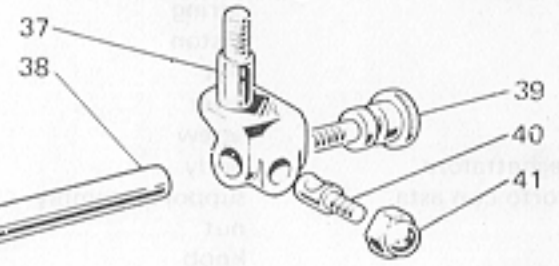
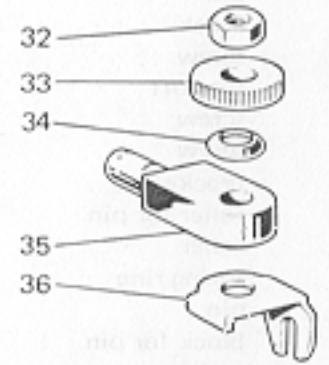
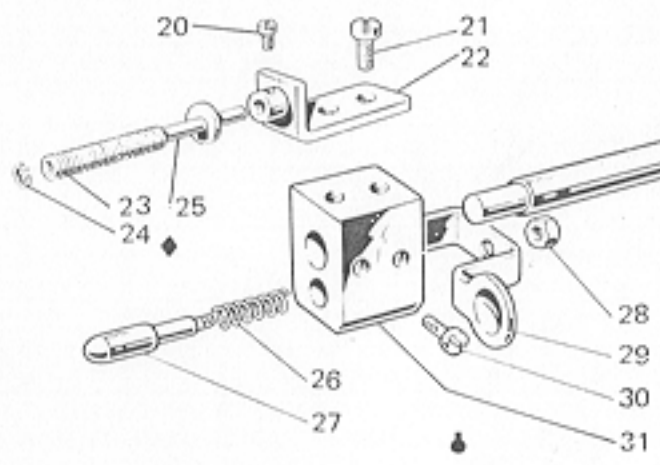
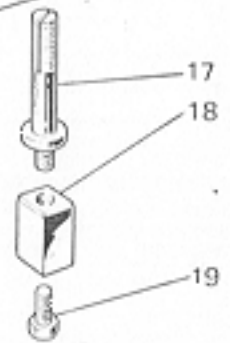


Fig. N. Abb. N.	Part. N. Bestell N. Piece N. Pieza N.	Qt. Anzahl	DESCRIZIONE	DESCRIPTION	BENENNUNG	DESCRIPTION	DESCRIPCION
45	729054-2-00	1	grano	screw			
46	729024-2-00	3	grano	screw			
47	990593-0-11	2	spina	pin			
48	991153-0-00	1	supporto	support			
49	990592-0-11	1	asta	rod			
50	731107-0-00	3	vite	screw			
•	991225-4-00	1	guida fettuccia completa	guide			
51	722420-2-00	3	vite	screw			
52	703003-0-00	2	rondella elastica	spring washer			
53	991222-0-00	1	asta di regolazione	adjustment rod			
54	991221-0-00	1	guida fettuccia	guide			
55	991220-0-00	1	asta centrale	rod			
56	746003-0-00	3	dado	nut			
57	991223-0-00	1	supporto	support			
<u>Tav. 3</u>							
30	780202-0-20	1	targhetta classe testa	head machine plate			
<u>Tav. 4</u>							
★	206251-4-00	1	coperchio super. completo	upper cover assembly			
24/1	206343-4-00	1	coperchio superiore	upper cover			
27	202681-0-10	1	molla	spring			
32	206747-0-00	1	perno	pin			
<u>Tav. 12</u>							
3	204033-0-10	1	crochet superiore	upper looper			
4	202094-0-11	1	crochet superiore	upper looper			
5	202707-0-10	1	placca d'ago	needle plate			
6	202609-0-10	1	griffino	feed dog			
7	206608-0-10	1	griffa sussidiaria	subsidiary feed dog			
8	206605-0-10	1	griffa principale	main feed dog			
<u>Particolari a richiesta</u>				<u>Only on request</u>			
5	202634-0-10	1	placca d'ago	needle plate			
	202635-0-10	1	placca d'ago	needle plate			
	202738-4-00	1	placca d'ago	needle plate			
7	202699-0-10	1	griffa sussidiaria	subsidiary feed dog			
8	202695-0-10	1	griffa principale	main feed dog			
<u>Tav. 10</u>				<u>Cancelled parts</u>			
15	203774-0-10	1	piastrina fermo salva ago	plate			
16	741445-0-00	1	vite	screw			
17	203775-0-10	1	squadretta fermo spingi asola	bracket			

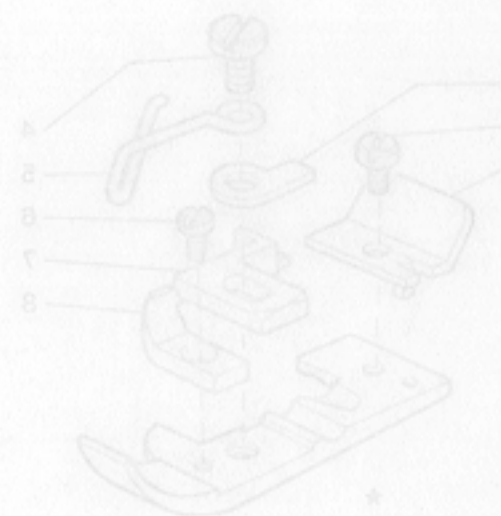
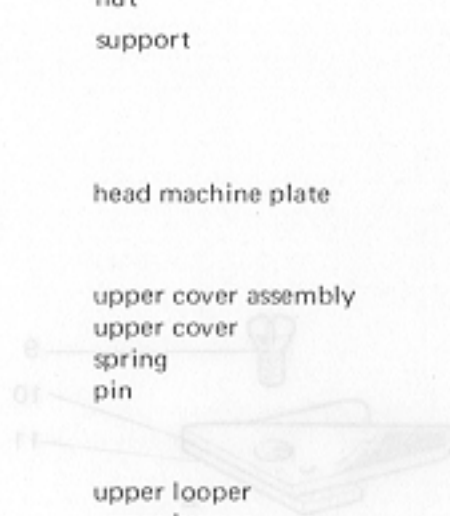


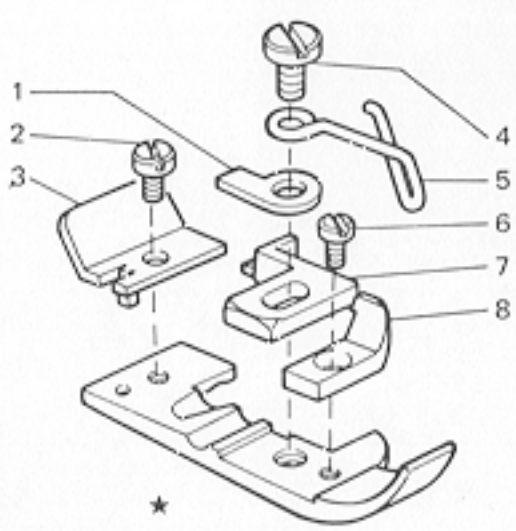
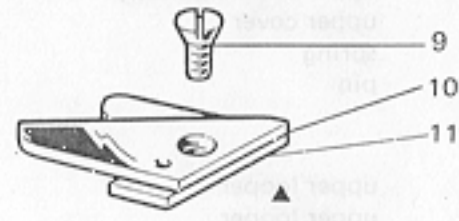
Fig. N. Part. N. Descr. N.	DESCRIZIONE	BENENNUNG	DESCRIPTION	DESCRIPTION	QTY	Part. N. Descr. N.	Fig. N.
45	738054-2-00		grano	screw	7		
46	738024-2-00		grano	screw	3		
47	990803-0-11		grano	pin	2		
48	991183-0-00		supporto	support	1		
49	990992-0-11		asta	rod	1		
50	737107-0-00		vite	screw	3		
*	991258-4-00		guida fettucce completa	guide	1		
51	737420-2-00		vite	screw	3		
52	703003-0-00		tondella elastica	spring washer	2		
53	991222-0-00		asta di regolazione	adjustment rod	1		
54	991221-0-00		guida fettucce	guide	1		
55	991220-0-00		asta centrale	rod	1		
56	746003-0-00		dado	nut	3		
57	991223-0-00		supporto	support	1		
							
30	790202-0-20		testa macchina testa	head machine plate	1		Tav. 3
*	2062514-0-00		copricchio super. completo	upper cover assembly	1		Tav. 4
341	206343-4-00		copricchio superiore	upper cover	1		
37	206381-0-10		molla	spring	1		
38	206374-0-00		perno	pin	1		
							
3	204022-0-10		crochet superiore	upper hook	1		Tav. 12
4	202004-0-11		crochet inferiore	lower hook	1		
5	202107-0-10		piacca d'ago	needle plate	1		
6	206009-0-10		griffino	hook	1		
7	206008-0-10		griffa ausiliaria	auxiliary feed dog	1		
8	206005-0-10		griffa principale	main feed dog	1		
<u>Particolari a richiesta</u>							
5	202001-0-10		piacca d'ago	needle plate	1		
6	202002-0-10		piacca d'ago	needle plate	1		
7	202338-4-00		piacca d'ago	needle plate	1		
7	202003-0-10		griffa ausiliaria	auxiliary feed dog	1		
8	202005-0-10		griffa principale	main feed dog	1		
<u>Parti annullate</u>							
12	203724-0-10		guida per il filo	guide	1		Tav. 10
13	203725-0-00		vite	screw	1		
14	203726-0-10		bracketto	bracket	1		

Fig. N. Abb. N.	Part. N. Bestell N. Piece N. Pieza N.	Qt. Anzahl	DESCRIZIONE	DESCRIPTION	BENENNUNG	DESCRIPTION	DESCRIPCION
			<u>Particolari a richiesta</u>	<u>Only on request</u>			
★	202173-3-10	1	pedino completo	presserfoot assembly			
1	202201-0-10	1	staffa	bracket			
2	741413-0-00	1	vite	screw			
3	202192-0-10	1	piastrina	plate			
4	741675-2-00	1	vite	screw			
5	202193-0-10	1	guida	guide			
6	741431-0-00	1	vite	screw			
7	202195-0-10	1	linguetta	tongue			
8	202184-0-10	1	blocchetto	block			
—	202172-3-10	1	pedino completo uguale al 202173-3-10 con slitta ricoperta di Teflon con spessore di 0,5 mm.	presserfoot assembly			
▲	202512-4-10	1	dispositivo tagliafilo	cutting thread device			
9	744510-0-00	1	vite	screw			
10	202511-0-10	1	piastrina	plate			
11	202510-0-10	1	lamina	sheet			
	<u>Tav. 3</u>						
30	780207-0-20	1	targhetta classe testa	head class plate			
	<u>Tav. 12</u>						
3	204033-0-10	1	crochet superiore	upper looper			
4	202094-0-11	1	crochet inferiore	lower looper			
5	203214-0-10	1	placca d'ago	needle plate			
8	203199-0-10	1	griffa principale	main feed dog			
			<u>Particolari a richiesta</u>	<u>Only on request</u>			
A	202300-0-10	1	guida per non tagliare	guide			
8	202767-4-10	1	guida completa	guide assembly			
3	204021-0-10	1	crochet superiore	upper looper			
4	202095-0-11	1	crochet inferiore	lower looper			
G	203216-4-10	1	placca d'ago con piastrina	needle plate			
H	203215-0-10	1	placca d'ago	needle plate			
5	203217-0-10	1	placca d'ago	needle plate			
	203220-0-10	1	placca d'ago	needle plate			
	203218-0-10	1	placca d'ago	needle plate			
7	202060-2-11	1	griffa sussidiaria in Vulkollan	subsidiary feed dog (Vulkollan)			
8	203201-2-11	1	griffa principale in Vulkollan	main feed dog (Vulkollan)			
9	202142-0-10	1	coltello superiore	upper knife			
	202143-0-10	1	coltello super. dentato	upper knife			
	207008-2-00	1	coltello super. con placchetta	upper knife			
10	202146-0-10	1	coltello inferiore	lower knife			
	<u>Tav. 10</u>						
			<u>Pezzi annullati</u>	<u>Cancelled parts</u>			
15	203774-0-10	1	piastrina fermo salva ago	plate			
16	741445-0-00	1	vite	screw			
17	203775-0-10	1	squadretta fermo spingi asola	bracket			

55

Fig. N. Abb. N.	Part. N. Bestell N. Pieze N.	Qt. Anzahl	DESCRIZIONE	DESCRIPTION	BENENNUNG	DESCRIPTION	DESCRIPCION
★	203050-3-10	1	pedino completo	presserfoot assembly			
1	741665-0-00	1	vite	screw			
2	202201-0-10	1	staffa	bracket			
3	203052-0-10	1	linguetta	tongue			
4	741431-0-00	1	vite	screw			
5	202184-0-10	1	blocchetto	block			
<u>Tav. 3</u>							
30	780225-0-20	1	targhetta classe testa	head class plate			
<u>Tav. 12</u>							
3	204033-0-10	1	crochet superiore	upper looper			
4	202094-0-11	1	crochet inferiore	lower looper			
5	203047-0-20	1	placca d'ago	needle plate			
6	202609-0-10	1	griffino	feed dog			
7	203062-0-10	1	griffa sussidiaria	subsidiary feed dog			
8	203060-0-10	1	griffa principale	main feed dog			
9	207006-2-00	1	coltello superiore	upper knife			
10	207024-2-00	1	coltello inferiore	lower knife			
<u>Particolari a richiesta</u>							
<u>Only on request</u>							
5	203048-0-20	1	placca d'ago	needle plate			
7	203094-2-00	1	griffa sussidiaria in Vulkollan	subsidiary feed dog (Vulkollan)			
8	203095-2-00	1	griffa principale in Vulkollan	main feed dog (Vulkollan)			
9	203066-0-10	1	coltello superiore	upper knife			
10	203144-0-10	1	coltello inferiore	lower knife			
<u>Pezzi annullati</u>							
<u>Cancelled parts</u>							
15	203774-0-10	1	piastrina fermo salva ago	plate			
16	741445-0-00	1	vite	screw			
17	203775-0-10	1	squadretta fermo spingi asola	bracket			

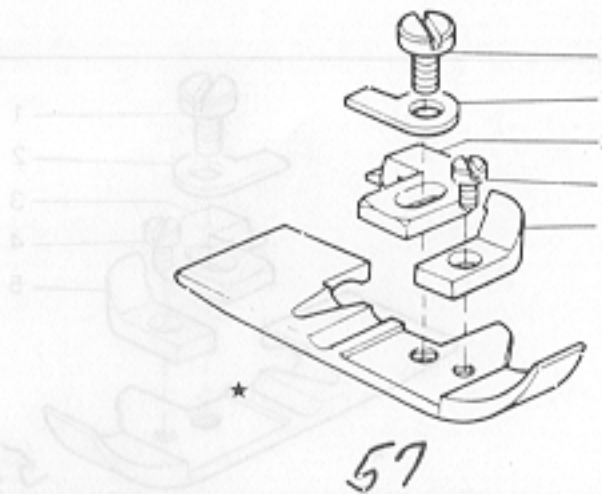


Fig. N. Abb. N.	Part. N. Bestell N. Pieze N.	Qt. Anzahl	DESCRIZIONE	DESCRIPTION	BENENNUNG	DESCRIPTION	DESCRIPCION
★	203050-3-10	1	piedino	presserfoot			
1	741665-0-00	1	vite	screw			
2	202201-0-10	1	staffa	bracket			
3	203052-0-10	1	linguetta	tongue			
4	741431-0-00	1	vite	screw			
5	202184-0-10	1	blocchetto	block			
			<u>Tav. 3</u>				
—	206358-4-00	1	sportello anter. compl.	cover			
16	206933-2-00	1	sportello scorrevole	cover			
30	780200-0-20	1	targhetta classe testa	head class plate			
			<u>Tav. 10</u>				
3	203065-0-10	1	placchetta porta coltello sup.	plate			
4	744553-0-00	1	vite	screw			
8	203087-0-10	1	vite fissa colt. super.	screw			
			<u>Tav. 12</u>				
3	204033-0-10	1	crochet superiore	upper looper			
4	202094-0-11	1	crochet inferiore	lower looper			
5	203072-0-10	1	piacca d'ago	needle plate			
7	203062-0-10	1	griffa sussidiaria	subsidiary feed dog			
8	203060-0-10	1	griffa principale	main feed dog			
9	207006-2-00	1	coltello superiore	upper knife			
10	207017-2-00	1	coltello inferiore	lower knife			
			<u>Particolari a richiesta</u>				
			<u>Only on request</u>				
3	204021-0-10	1	crochet superiore	upper looper			
4	202095-0-11	1	crochet inferiore	lower looper			
7	203094-2-00	1	griffa sussidiaria in Vulkollan	subsidiary feed dog (Vulkollan)			
8	203095-2-00	1	griffa principale in Vulkollan	main feed dog (Vulkollan)			
9	203066-0-10	1	coltello superiore	upper knife			
10	203069-0-10	1	coltello inferiore	lower knife			
			<u>Pezzi annullati</u>				
			<u>Cancelled parts</u>				
15	203774-0-10	1	piastrina fermo salva ago	plate			
16	741445-0-00	1	vite	screw			
17	203775-0-10	1	squadretta fermo spingi asola	bracket			

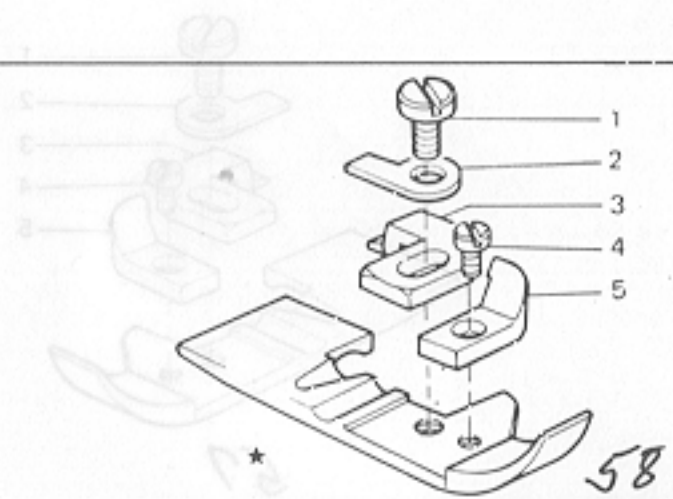


Fig. N. Abb. N.	Part. N. Bestell N. Pieze N. Pieza N.	Qt. Anzahl	DESCRIZIONE	DESCRIPTION	BENENNUNG	DESCRIPTION	DESCRIPCION
★	203803-3-10	1	pedino completo	presserfoot assembly			
1	741413-0-00	1	vite	screw			
2	202795-0-10	1	piastrina	plate			
3	741665-0-00	1	vite	screw			
4	202201-0-10	1	staffa	bracket			
5	203079-2-10	1	piastrina	plate			
6	203804-0-10	1	linguetta	tongue			
<u>Tav. 3</u>							
—	206358-4-00	1	sportello anteriore compl.	front cover			
16	206933-2-00	1	sportello scorrevole	front cover			
30	780200-0-20	1	targhetta classe testa	head class plate			
<u>Tav. 10</u>							
3	203065-0-10	1	placchetta porta colt. super.	plate			
4	744553-0-00	1	vite	screw			
8	203087-0-10	1	vite fissa colt. super.	screw			
<u>Pezzi annullati</u> / <u>Cancelled parts</u>							
15	203774-0-10	1	piastrina fermo salva ago	plate			
16	741445-0-00	1	vite	screw			
17	203775-0-10	1	squadretta fermo spingi asola	bracket			
<u>Tav. 12</u>							
3	204033-0-10	1	crochet superiore	upper looper			
4	202094-0-11	1	crochet inferiore	lower looper			
5	203072-0-10	1	placca d'ago	needle plate			
7	203062-0-10	1	griffa sussidiaria	subsidiary feed dog			
8	203060-0-10	1	griffa principale	main feed dog			
9	203066-0-10	1	coltello super.	upper knife			
10	203069-0-10	1	coltello infer.	lower knife			
<u>Particolari a richiesta</u> / <u>Only on request</u>							
3	204021-0-10	1	crochet superiore	upper looper			
4	202095-0-11	1	crochet inferiore	lower looper			
7	203094-2-00	1	griffa sussidiaria in Vulkollan	subsidiary feed dog (Vulkollan)			
8	203095-2-00	1	griffa principale in Vulkollan	main feed dog (Vulkollan)			

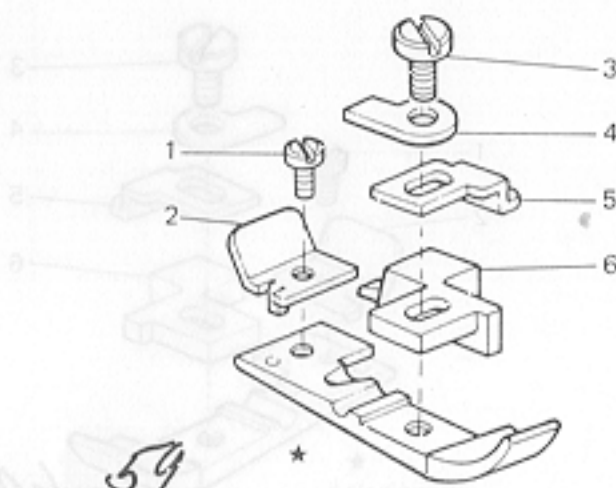


Fig. N. Abb. N.	Part. N. Bestell N. Piece N. Pieza N.	Qt. Anzahl	DESCRIZIONE	DESCRIPTION	BENENNUNG	DESCRIPTION	DESCRIPCION
★	203815-3-10	1	pedino completo	presserfoot assembly			
1	741413-0-00	1	vite	screw			
2	202795-0-10	1	piastrina	plate			
3	741665-0-00	1	vite	screw			
4	202201-0-10	1	staffa	bracket			
5	203816-0-10	1	piastrina	plate			
6	203817-0-10	1	linguetta	tongue			
<u>Tav. 3</u>							
—	206361-4-00	1	sportello anteriore compl.	front cover			
16	206933-2-00	1	sportello scorrevole	front cover			
30	780200-0-20	1	targhetta classe testa	head class plate			
<u>Tav. 10</u>							
3	203065-0-10	1	placchetta porta coltello super.	plate			
4	744553-0-00	1	vite	screw			
8	203087-0-10	1	vite fissa coltello super.	screw			
24	203810-0-10	1	bussola guida supp. colt. infer.	bush			
<u>Tav. 12</u>							
3	204033-0-10	1	crochet superiore	upper looper			
4	202094-0-11	1	crochet inferiore	lower looper			
5	203813-0-10	1	placca d'ago	needle plate			
7	203062-0-10	1	griffa sussidiaria	subsidiary feed dog			
8	203060-0-10	1	griffa principale	main feed dog			
9	203812-0-10	1	coltello superiore	upper knife			
10	203069-0-10	1	coltello inferiore	lower knife			
<u>Particolari a richiesta</u>				<u>Only on request</u>			
3	204021-0-10	1	crochet superiore	upper looper			
4	202095-0-11	1	crochet inferiore	lower looper			

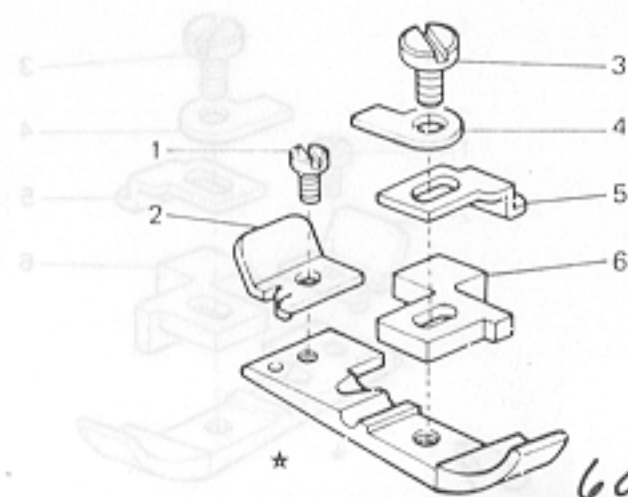
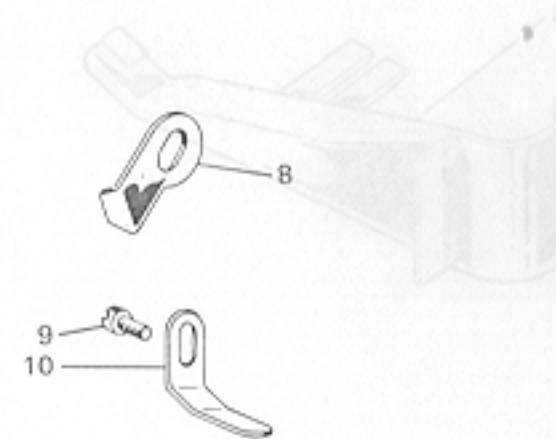
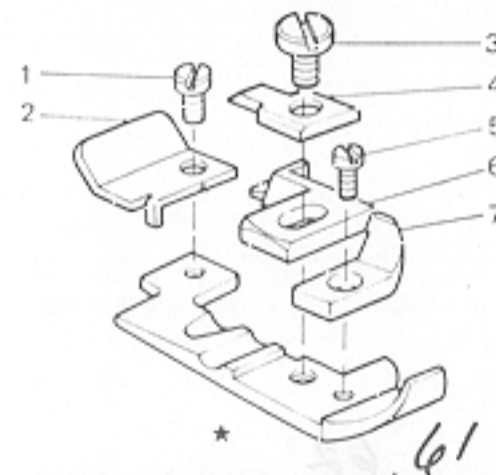
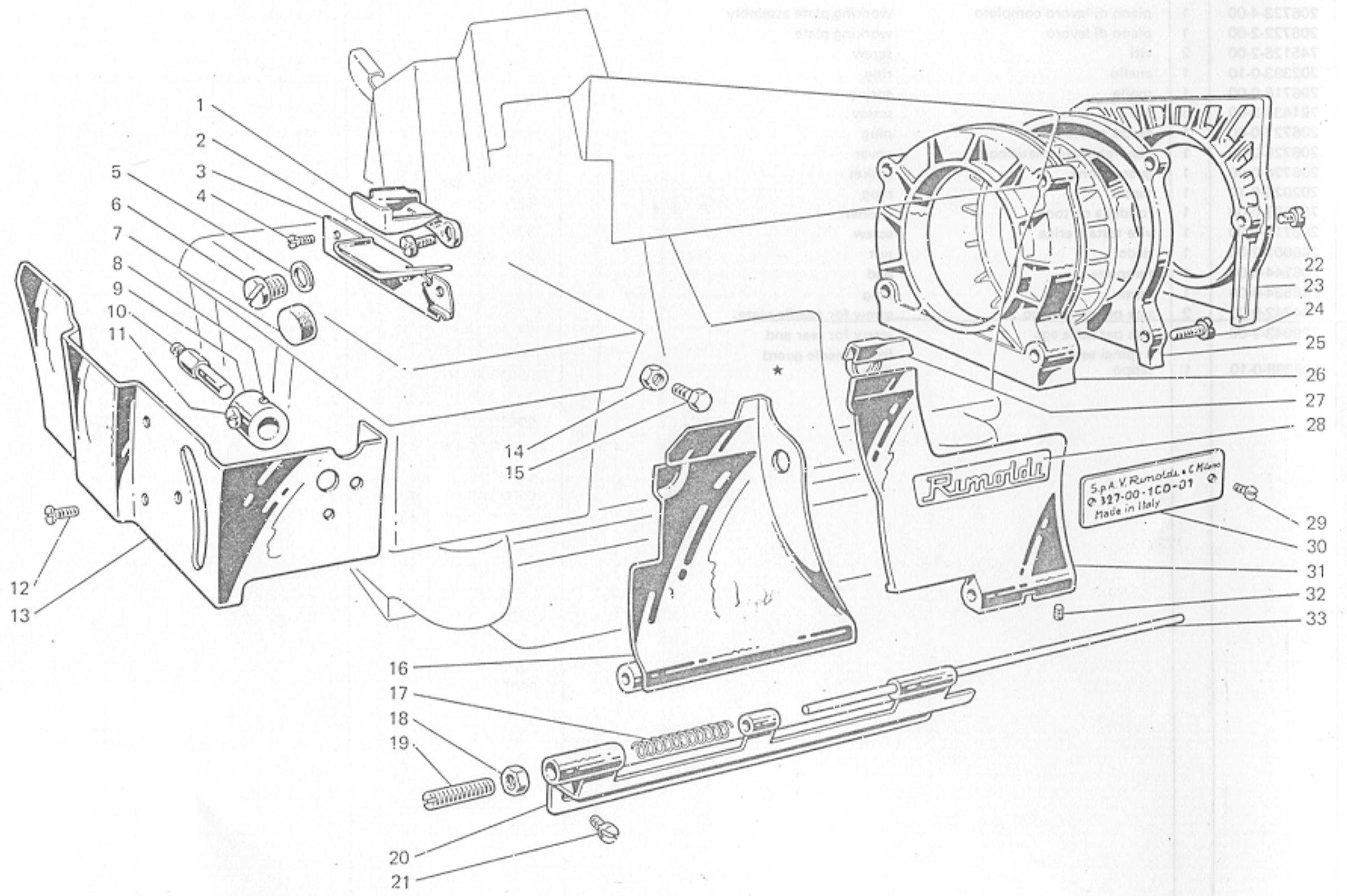


Fig. N. Abb. N.	Part. N. Bestell N. Piece N. Pieza N.	Qt. Anzahl	DESCRIZIONE	DESCRIPTION	BENENNUNG	DESCRIPTION!	DESCRIPCION
★	203162-3-10	1	pieдино completo	presserfoot assembly			
1	741413-0-00	1	vite	screw			
2	203025-0-10	1	piastrina	plate			
3	741675-2-00	1	vite	screw			
4	203772-0-10	1	staffa	bracket			
5	741431-0-00	1	vite	screw			
6	202195-0-10	1	linguetta	tongue			
7	202184-0-10	1	blocchetto	block			
8	200662-0-10	1	carterino coltello super.	cover			
9	203187-0-10	1	vite	screw			
10	202658-0-10	1	squadretta fermo piedino	bracket			
	<u>Tav. 3</u>						
30	780200-0-20	1	targhetta classe testa	head class plate			
	<u>Tav. 12</u>						
3	203044-0-10	1	crochet superiore	upper looper			
4	202094-0-11	1	crochet inferiore	lower looper			
5	203219-0-10	1	placca d'ago	needle plate			
6	202609-0-10	1	griffino	feed dog			
8	203199-0-10	1	griffa principale	main feed dog			
			<u>Particolari a richiesta</u>	<u>Only on request</u>			
A	202300-0-10	1	guida	guide			
B	202767-4-10	1	guida	guide			
9	202142-0-10	1	coltello superiore	upper knife			
	202143-0-10	1	coltello super. dentato	upper knife			
	207008-2-00	1	coltello super. con placchetta	upper knife			
10	202146-0-10	1	coltello inferiore	lower knife			



DESCRIZIONE	DESCRIPTION	BEZNAHMUNG	DESCRIPTION	DESCRIZIONE	Part. No.	QTY
			working plate assembly	plano di lavoro completo	308733-4-00	1
			working plate	plano di lavoro	308733-5-00	1
			screw		748128-2-00	2
			ring		302393-0-10	1
					308733-6-00	1
					308733-7-00	1
					308733-8-00	1
					308733-9-00	1
					308733-10-00	1
					308733-11-00	1
					308733-12-00	1
					308733-13-00	1
					308733-14-00	1
					308733-15-00	1
					308733-16-00	1
					308733-17-00	1
					308733-18-00	1
					308733-19-00	1
					308733-20-00	1
					308733-21-00	1
					308733-22-00	1
					308733-23-00	1
					308733-24-00	1
					308733-25-00	1
					308733-26-00	1
					308733-27-00	1
					308733-28-00	1
					308733-29-00	1
					308733-30-00	1
					308733-31-00	1
					308733-32-00	1
					308733-33-00	1



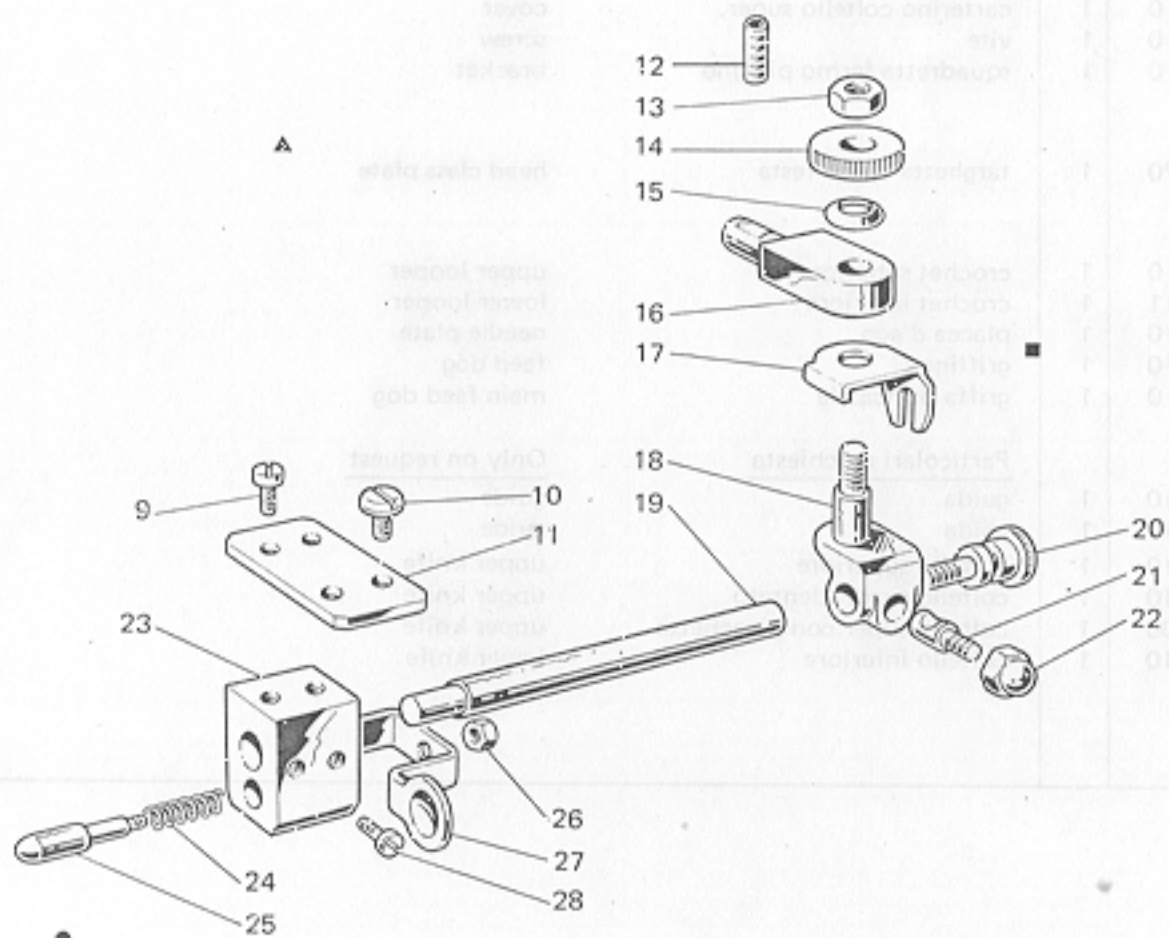
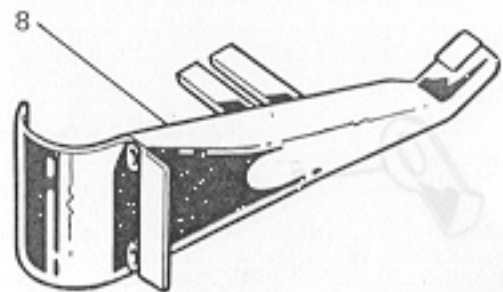
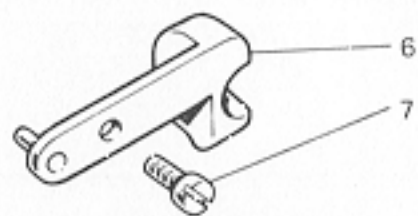
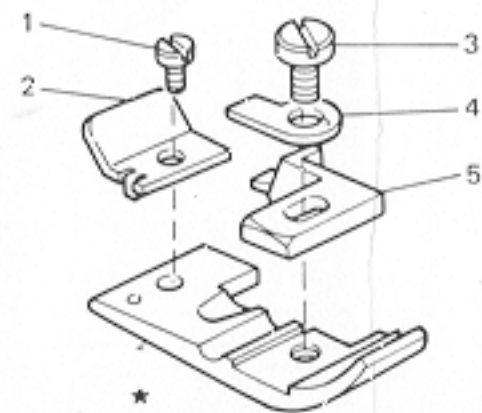


Fig. N. Abb. N.	Part. N. Bestell N. Piece N. Pieza N.	Qt. Anzahl	DESCRIZIONE	DESCRIPTION	BENENNUNG	DESCRIPTION	DESCRIPCION
★	203157-3-10	1	pedino completo	presserfoot assembly			
1	741413-0-00	1	vite	screw			
2	202192-0-10	1	piastrina	plate			
3	741665-0-00	1	vite	screw			
4	202201-0-10	1	staffa	bracket			
5	202195-0-10	1	linguetta	tongue			
6	203193-2-00	1	squadretta di fermo	bracket			
7	721443-2-00	1	vite	screw			
8	202311-2-10	1	guida del materiale	guide			
▲	202301-4-10	1	supporto porta guida	support			
9	203589-0-10	2	vite	screw			
10	721434-2-00	2	vite	screw			
11	202303-0-10	1	piastrina	plate			
■	203223-4-10	1	supporto	support			
12	729013-2-00	1	vite	screw			
13	203705-0-10	1	dado	nut			
14	203716-0-10	1	pomolo	knob			
15	702408-0-00	1	molla a tazza	spring			
16	203713-0-10	1	sostegno	support			
17	203704-0-10	1	forcella	fork			
18	203710-0-10	1	supporto girevole	support			
19	203227-0-10	1	asta	pin			
20	203715-0-10	1	vite	screw			
21	203714-0-10	1	nottolino	pawl			
22	203212-0-10	1	dado	nut			
●	203239-4-10	1	blocchetto	block			
23	203238-0-10	1	corpo del pieghettatore	folding body			
24	203198-0-10	1	molla	spring			
25	203253-0-10	1	pistoncino	piston			
26	746001-2-00	1	dado	nut			
27	203221-0-10	1	levetta	lever			
28	741642-2-00	2	vite	screw			
30	Tav. 3 780200-0-20	1	targhetta classe testa	head class plate			

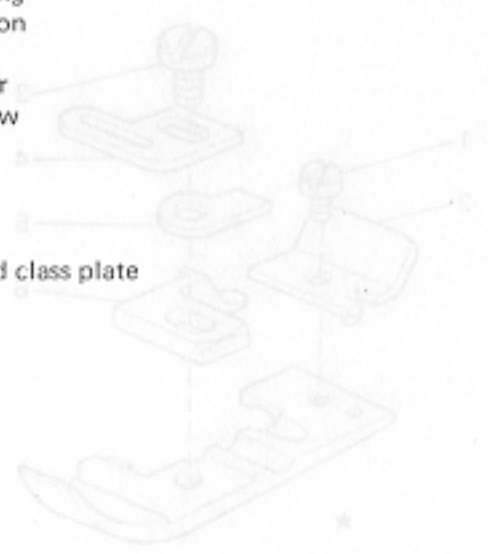
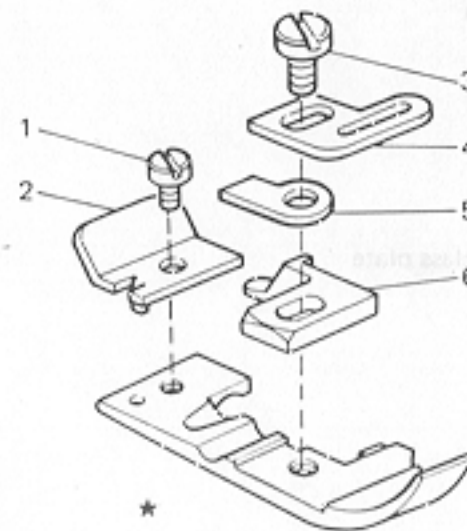


Fig. N. Abb. N.	Part. N. Bestell N. Pieze N.	Qt. Anzahl	DESCRIZIONE	DESCRIPTION	BENENNUNG	DESCRIPTION	DESCRIPCION
★	202178-3-10	1	pedino completo	presserfoot assembly			
1	741413-0-00	1	vite	screw			
2	202192-0-10	1	piastrina	plate			
3	741675-2-00	1	vite	screw			
4	202088-0-10	1	piastrina	plate			
5	202201-0-10	1	staffa	bracket			
6	202195-0-10	1	linguetta	tongue			
30	<u>Tav. 3</u> 780270-0-20	1	targhetta classe testa	head class plate			



★

Fig. N. Abb. N.	Part. N. Bestell N. Piece N. Pieza N.	Qt. Anzahl	DESCRIZIONE	DESCRIPTION	BENENNUNG	DESCRIPTION	DESCRIPCION
★	202178-3-10	1	pedino completo	presserfoot assembly			
1	741413-0-00	1	vite	screw			
2	202192-0-10	1	piastrina	plate			
3	741675-2-00	1	vite	screw			
4	202088-0-10	1	piastrina	plate			
5	202201-0-10	1	staffa	bracket			
6	202195-0-10	1	linguetta	tongue			
			<u>Tav. 3</u>				
30	780260-0-20	1	targhetta classe testa	head class plate			
			<u>Tav. 12</u>				
3	204033-0-10	1	crochet superiore	upper looper			
4	202094-0-11	1	crochet inferiore	lower looper			
5	203214-0-10	1	placca ago	needle plate			
8	203199-0-10	1	griffa principale	main feed dog			
			<u>Particolari a richiesta</u>	<u>Only on request</u>			
9	202142-0-10	1	coltello superiore	upper knife			
	202143-0-10	1	coltello super. dentato	upper knife			
	207008-2-00	1	coltello super. con placchetta	upper knife			
10	202146-0-10	1	coltello inferiore	lower knife			
			<u>Tav. 10</u>				
			<u>Pezzi annullati</u>	<u>Cancelled parts</u>			
15	203774-0-10	1	piastrina fermo salva ago	plate			
16	741445-0-00	1	vite	screw			
17	203775-0-10	1	piastrina fermo spingi asola	plate			

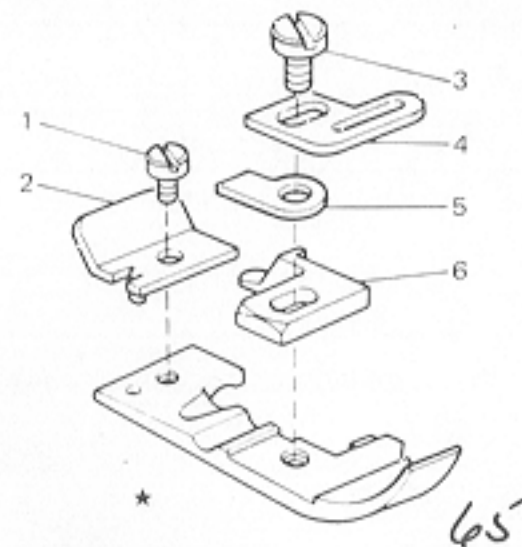


Fig. N. Abb. N.	Part. N. Bestell N. Piese N. Pieza N.	Qt. Anzahl	DESCRIZIONE	DESCRIPTION	BENENNUNG	DESCRIPTION	DESCRIPCION
30	<u>Tav. 3</u> 780200-0-20	1	targhetta classe testa	head machine plate			
★	<u>Tav. 4</u> 206265-4-00	1	coperchio super.	upper cover assembly			
24/1	206343-4-00	1	tensione completa	tensione assembly			
27	202681-0-10	1	molla	spring			
32	206747-0-00	1	perno	pin			
	<u>Tav. 10</u>						
			<u>Pezzi annullati</u>	<u>Cancelled parts</u>			
15	203774-0-10	1	piastrina fermo salva ago	plate			
16	741445-0-00	1	vite	screw			
17	203775-0-10	1	squadretta fermo spingi asola	bracket			
	<u>Tav. 12</u>						
3	202092-0-10	1	crochet super. cieco	upper blind looper			
	204033-0-10	1	crochet super.	upper looper			
4	202094-0-11	1	crochet inferiore	lower looper			
5	202783-0-10	1	placca ago	needle plate			
7	202782-0-10	1	griffa sussidiaria	subsidiary feed dog			
8	202780-0-10	1	griffa principale	main feed dog			
			<u>Particolari a richiesta</u>	<u>Only on request</u>			
3	204021-0-10	1	crochet super.	upper looper			
4	202095-0-11	1	crochet infer.	lower looper			
5	202876-0-10	1	placca ago	needle plate			
	202877-0-10	1	placca ago	needle plate			
9	202142-0-10	1	coltello superiore	upper knife			
	202143-0-10	1	coltello super. dentato	upper knife			
	207008-2-00	1	coltello super. con placchetta	upper knife			
10	202146-0-10	1	coltello inferiore	lower knife			

Fig. N. Abb. N.	Part. N. Bestell N. Piece N. Pieza N.	Qt. Anzahl	DESCRIZIONE	DESCRIPTION	BENENNUNG	DESCRIPTION	DESCRIPCION
★	202786-3-10	1	pedino completo	presserfoot assembly			
1	741413-0-00	1	vite	screw			
2	202795-0-10	1	piastrina	plate			
3	741665-0-00	1	vite	screw			
4	202201-0-10	1	staffa	bracket			
5	741431-0-00	1	vite	screw			
6	202797-0-10	1	linguetta	tongue			
7	202789-0-10	1	blocchetto	block			
▲	202851-4-11	1	guida completa	guide assembly			
8	202805-0-10	1	vite	screw			
9	202862-2-10	1	supporto	support			
10	721443-2-00	1	vite	screw			
11	202869-0-10	1	pomolo	knob			
12	202974-0-10	2	spina	pin			
13	202871-0-10	1	vite	screw			
■	202809-4-10	1	lamina con molla	sheet			
14	202808-0-10	1	lamina	sheet			
15	202860-0-10	1	molla	spring			
16	202858-0-10	1	guida scorrevole	guide			
●	202840-4-11	1	corpo guida	guide body			
17	202843-0-11	1	cerniera	hinge			
18	202847-0-10	1	piastrina	plate			
19	202839-0-11	1	corpo della guida	body			
20	744512-4-00	2	vite	screw			
21	202282-0-10	1	passafilo	thread guide			
22	745002-0-00	1	vite	screw			
			<u>Particolari a richiesta</u>	<u>Only on request</u>			
◆	202804-4-10	1	dispositivo tagliafilo	cutting thread device			
23	744510-0-00	1	vite	screw			
24	202511-0-10	1	piastrina	plate			
25	202883-0-10	1	lamina	sheet			

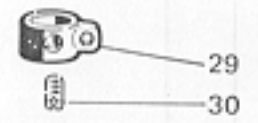
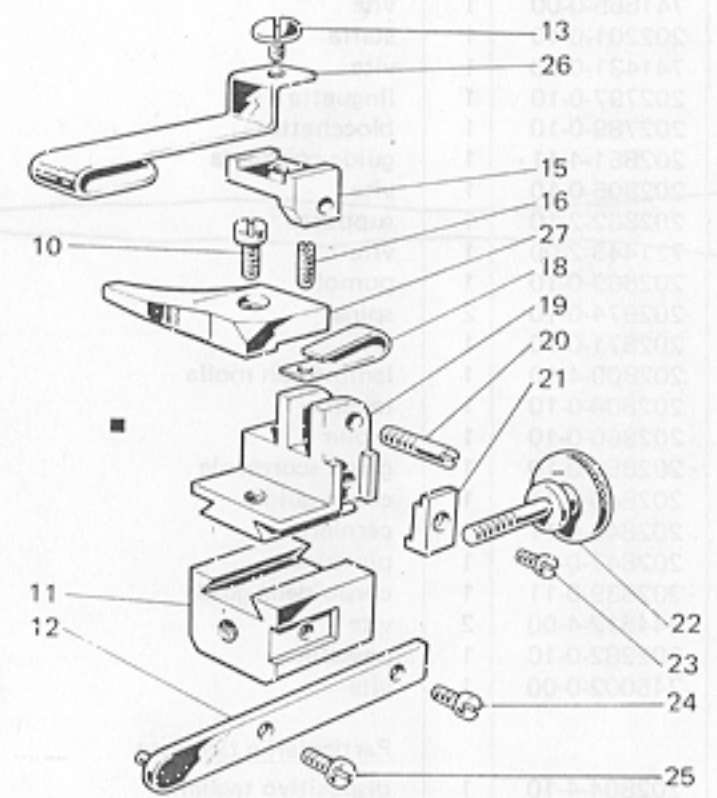
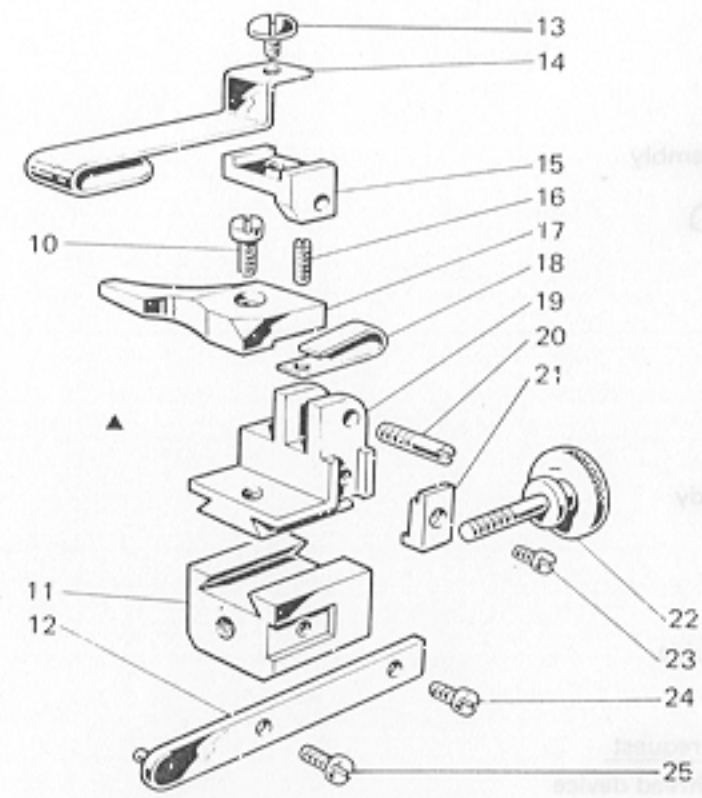
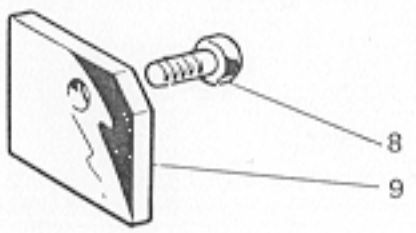
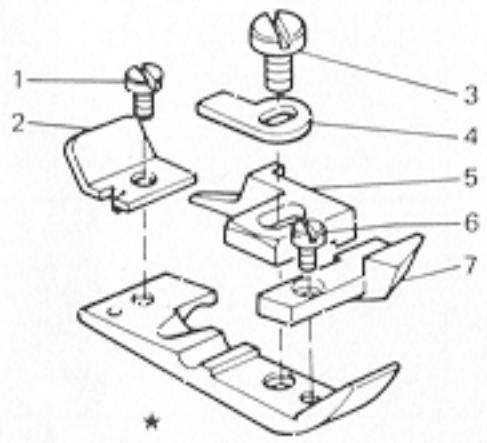
DESCRIPTION

DESCRIPTION

BENENNUNG

DESCRIPTION

DESCRIZIONE



part
 screw
 plate
 bracket
 screw
 tongue
 block
 plate
 knob
 pin
 screw
 plate
 bush
 spring
 cap
 side body
 ring
 plate
 body
 screw
 bush
 screw
 bush
 screw
 bush
 Only on
 outer
 screw
 plate
 plate

part
 screw
 plate
 bracket
 screw
 tongue
 block
 plate
 knob
 pin
 screw
 plate
 bush
 spring
 cap
 side body
 ring
 plate
 body
 screw
 bush
 screw
 bush
 screw
 bush

QTY	Part N°	Part N°	Part N°	Part N°	Part N°
1	303786-0-10	*			
1	747413-0-00	1			
1	303786-0-10	2			
1	747888-0-10	3			
1	303787-0-10	4			
1	303788-0-10	5			
1	303789-0-10	6			
1	303790-0-10	7			
1	303791-0-10	8			
1	303792-0-10	9			
1	303793-0-10	10			
1	303794-0-10	11			
1	303795-0-10	12			
1	303796-0-10	13			
1	303797-0-10	14			
1	303798-0-10	15			
1	303799-0-10	16			
1	303800-0-10	17			
1	303801-0-10	18			
1	303802-0-10	19			
1	303803-0-10	20			
1	303804-0-10	21			
1	303805-0-10	22			
1	303806-0-10	23			
1	303807-0-10	24			
1	303808-0-10	25			
1	303809-0-10	26			
1	303810-0-10	27			
1	303811-0-10	28			
1	303812-0-10	29			
1	303813-0-10	30			

Fig. N. Abb. N.	Part. N. Bestell N. Piece N. Pieza N.	Qt. Anzahl	DESCRIZIONE	DESCRIPTION	BENENNUNG	DESCRIPTION	DESCRIPCION
★	202787-3-11	1	piedino completo	presserfoot assembly			
1	741413-0-00	1	vite	screw			
2	202795-0-10	1	piastrina	plate			
3	741665-0-00	1	vite	screw			
4	202800-0-10	1	staffa	bracket			
5	202798-0-10	1	linguetta	tongue			
6	741461-0-00	1	vite	screw			
7	202790-0-11	1	blocchetto	block			
8	741642-2-00	1	vite	screw			
9	202872-0-10	1	piastrina	plate			
▲	202853-4-12	1	guida completa	screw			
10	721433-2-00	1	vite	screw			
11	202841-0-11	2	corpo guida	guide body			
12	202864-2-10	2	sostegno	support			
13	202805-0-10	2	vite	screw			
14	202810-0-10	1	lamina per orlo	sheet			
15	202844-0-10	2	blocchetto	block			
16	202804-0-10	2	vite	screw			
17	202972-0-00	1	guida	guide			
18	202873-0-10	2	molla	spring			
19	202807-0-11	2	slitta	slide			
20	202846-0-10	2	spina	pin			
21	202866-0-10	2	staffa	bracket			
22	202870-0-10	2	vite	screw			
23	741711-0-00	2	vite	screw			
24	721433-2-00	2	vite	screw			
25	721443-2-00	1	vite	screw			
■	202855-4-12	1	guida completa	guide assembly			
26	202824-0-10	1	lamina per orlo	sheet			
27	202849-0-10	1	guida	guide			
28	203485-0-00	1	lamina per orli da 2"	sheet			
29	202282-0-10	1	passafilo	thread guide			
30	745002-0-00	1	vite	screw			
	<u>Tav. 3</u>						
30	780200-0-20	1	targhetta classe testa	head class plate			
	<u>Tav. 12</u>						
3	202092-0-10	1	crochet sup. cieco	upper blind looper			
4	202094-0-11	1	crochet inferiore	lower looper			
5	202784-0-10	1	placca d'ago	needle plate			
7	202782-0-10	1	griffa sussidiaria	subsidiary feed dog			
8	202781-0-10	1	griffa principale	main feed dog			
			<u>Particolari a richiesta</u>	<u>Only on request</u>			
3	204033-0-10	1	crochet superiore	upper looper			
	204021-0-10	1	crochet superiore	upper looper			
4	202095-0-11	1	crochet inferiore	lower looper			
9	202142-0-10	1	coltello superiore	upper knife			
	202143-0-10	1	coltello super. dentato	upper knife			
	207008-2-00	1	coltello super.con placchetta	upper knife			
10	202146-0-10	1	coltello inferiore	lower knife			
	<u>Tav. 10</u>		<u>Pezzi annullati</u>	<u>Cancelled parts</u>			
15	203774-0-10	1	piastrina fermo salva ago	plate			
16	741445-0-00	1	vite	screw			
17	203775-0-10	1	squadretta fermo spingi asola	bracket			

71

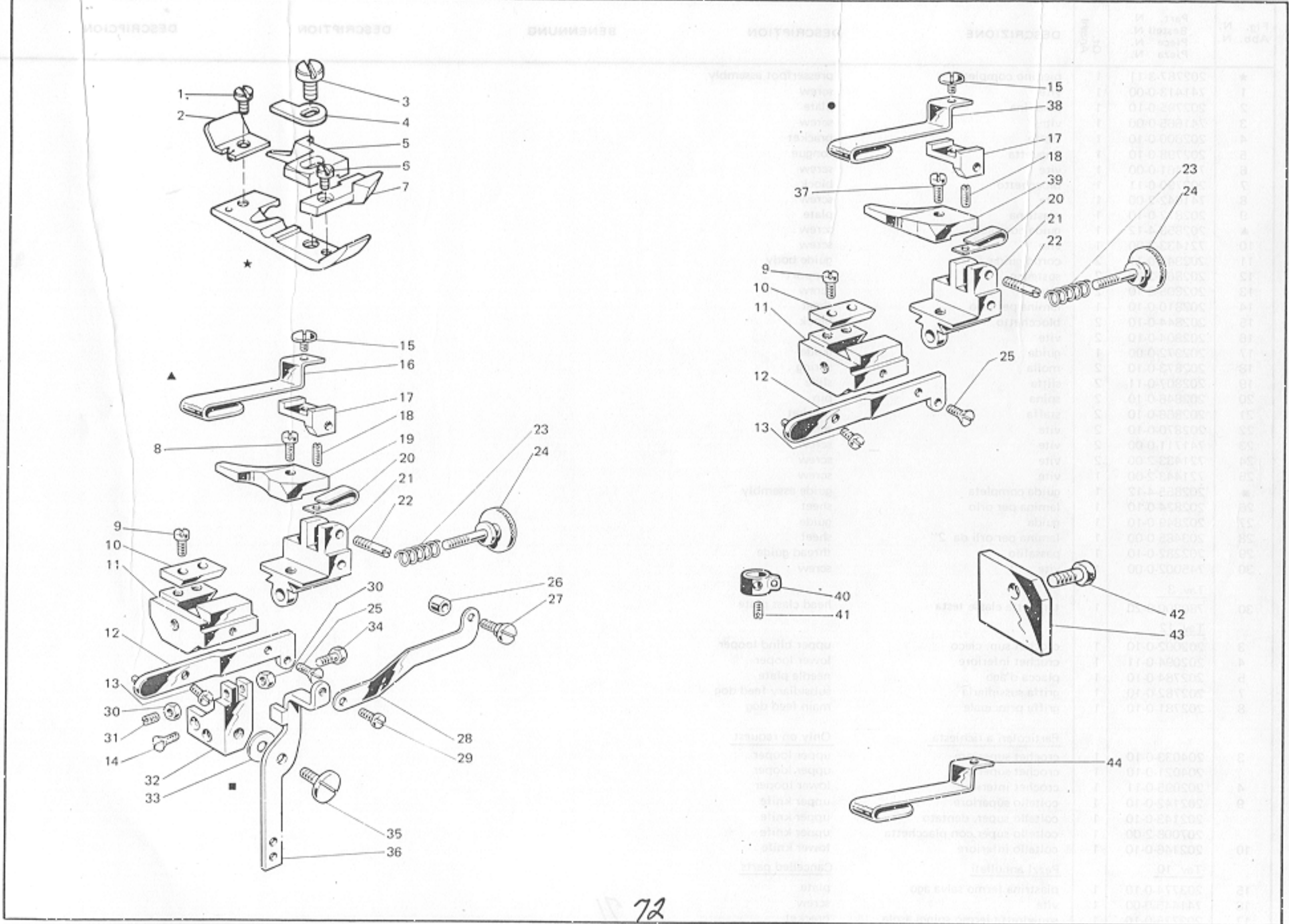


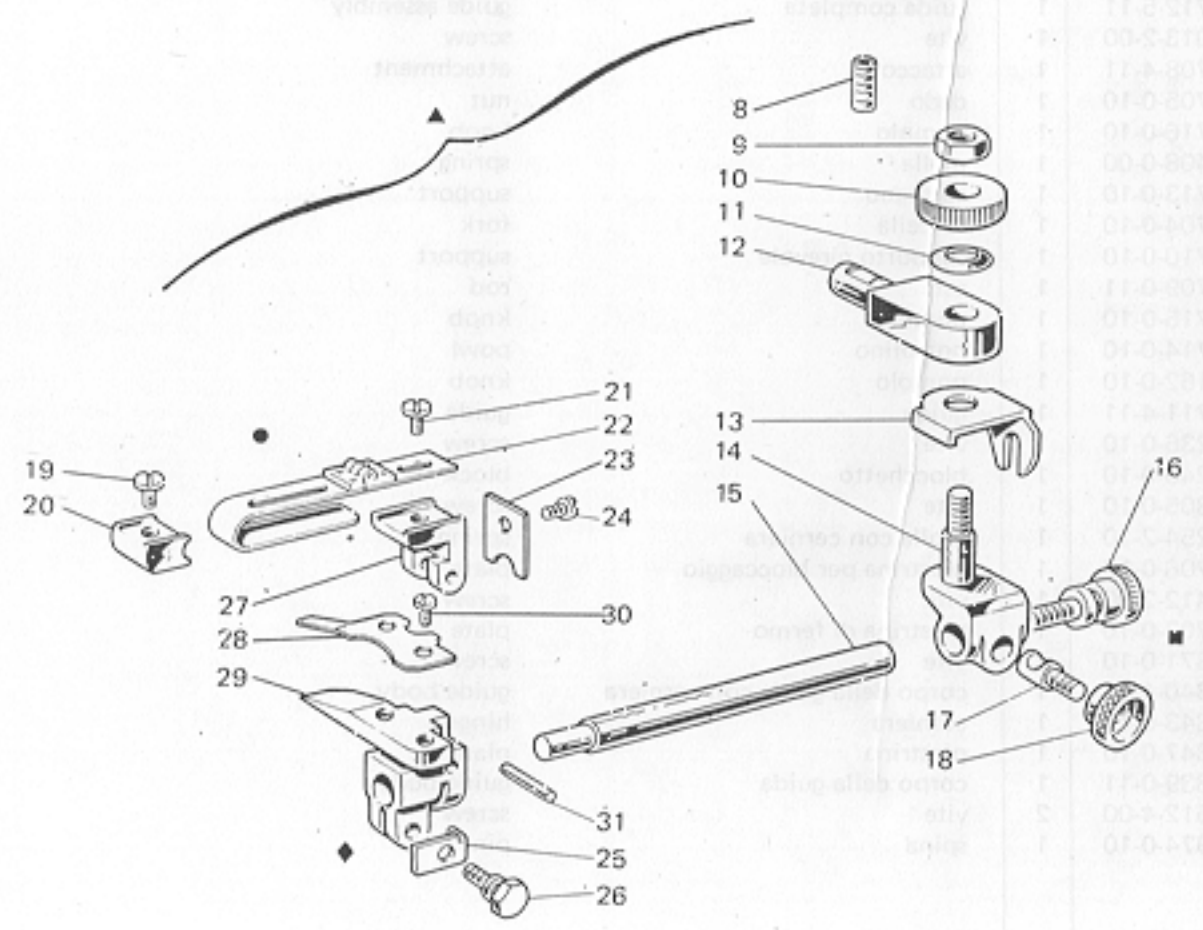
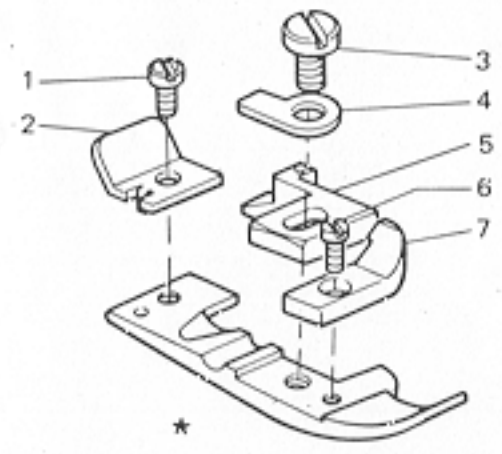
Fig. N. Abb. N.	Part. N. Bestell N. Piece N. Pieza N.	Qt. Anzahl	DESCRIZIONE	DESCRIPTION	BENENNUNG	DESCRIPTION	DESCRIPCION	Fig. N. Abb. N.
★	202787-3-11	1	piedino completo	presserfoot assembly				
1	741413-0-00	1	vite	screw				
2	202795-0-10	1	piastrina	plate				
3	741665-0-00	1	vite	screw				
4	202800-0-10	1	staffa	bracket				
5	202798-0-10	1	linguetta	tongue				
6	741461-0-00	1	vite	screw				
7	202790-0-11	1	blocchetto	block				
▲	206787-4-10	1	guida completa	guide assembly				
8	721433-2-00	1	vite	screw				
9	741415-0-00	4	vite	screw				
10	202904-0-10	2	guida	guide				
11	202891-0-11	2	corpo	body				
12	206784-2-00	2	sostegno	support				
13	721443-2-00	1	vite	screw				
14	724056-0-00	2	vite	screw				
15	202805-0-10	2	vite	screw				
16	202810-0-10	1	lamina per orli	plate				
17	202844-0-10	2	blocchetto	block				
18	202804-0-10	2	vite di fermo	screw				
19	204972-0-00	1	guida	guide				
20	202873-0-10	2	molla	spring				
21	202887-0-11	2	slitta	slide				
22	202846-0-10	2	spina filettata	pin				
23	202905-0-10	2	molla	spring				
24	202908-0-10	2	vite	screw				
25	744535-4-00	2	vite	screw				
26	206781-0-00	1	distanziale	spacer				
27	206780-0-00	1	vite	screw				
28	206782-0-00	1	leva comando guida	guide lever control				
29	743822-0-00	1	vite	screw				
■	206786-4-00	1	comando leva	lever control				
30	746007-2-00	2	dado	nut				
31	727074-0-00	1	vite	screw				
32	920122-0-11	1	supporto	support				
33	703807-0-00	1	rondella	washer				
34	101025-0-10	1	vite	screw				
35	920123-0-10	1	vite	screw				
36	206785-0-00	1	leva	lever				

Fig. N. Abb. N.	Part. N. Bestell N. Pieze N.	Qt. Anzahl	DESCRIZIONE	DESCRIPTION	BENENNUNG	DESCRIPTION	DESCRIPCION
★	206355-4-00	1	spertello ant. compl.	front cover assembly			
1	206730-0-00	1	vaschetta recupero olio	sump			
2	741956-2-00	1	vite	screw			
3	206735-0-00	1	carterino para olio	retainer oil			
4	744654-2-00	3	vite	screw			
5	705925-0-00	1	rondella in fibra	washer			
6	202480-0-10	1	tappo	plug			
7	202027-0-10	1	tappo	plug			
8	730023-2-00	1	vite	screw			
9	206734-2-00	1	morsetto fiss. carter laterale	needle clamp			
10	206733-0-00	1	vite per carter laterale	screw			
11	721435-2-00	1	vite	screw			
12	724895-2-00	4	viti	screw			
13	206731-2-00	1	carter laterale completo	side cover assembly			
14	746007-2-00	1	dado	nut			
15	202214-0-10	1	vite	screw			
16	206762-2-00	1	sportello scorrevole	sliding cover			
17	206768-0-00	1	molla	spring			
18	746208-2-00	1	dado	nut			
19	206769-0-10	1	vite di regolazione	adjusting screw			
20	206756-0-00	1	cerniera	hinge			
21	741724-0-00	4	vite	screw			
22	721464-2-00	2	vite per coperchio	screw			
23	206685-0-00	1	coperchio cinghia	cover			
24	202484-0-10	4	vite	screw			
25	206687-2-00	1	coperchio coclea	scroll cover			
26	206688-0-00	1	coclea per ventola	scroll			
27	206764-0-00	1	zoccolo	block			
28	206770-0-00	1	targhetta Rimoldi	Rimoldi plate			
29	202165-0-10	2	vite	screw			
30	780201-0-20	1	targhetta classe	machine class plate			
31	206763-0-00	1	sportello ribaltabile	tipping cover			
32	745800-2-00	1	grano	grub screw			
33	206767-0-00	1	perno	pin			

Fig. N. Abb. N.	Part. N. Bestell N. Pieza N.	Qt. Anzahl	DESCRIZIONE	DESCRIPTION	BENENNUNG	DESCRIPTION	DESCRIPCION
<u>Tav. 3</u>							
★	206360-4-00	1	sportello anteriore completo	cover			
16	206937-2-00	1	sportello scorrevole	sliding cover			
30	780200-0-20	1	targhetta classe testa	head class plate			
<u>Tav. 4</u>							
★	206265-4-00	1	coperchio superiore completo	cover			
24	206343-4-00	1	tensione completa	tension assembly			
27	202681-0-10	1	molla	spring			
32	206747-0-00	1	perno	pin			
<u>Tav. 12</u>							
3	204033-0-10	1	crochet superiore	upper looper			
	202092-0-10	1	crochet superiore cieco	upper looper			
4	202094-0-11	1	crochet inferiore	lower looper			
5	202784-0-10	1	placca d'ago	needle plate			
7	202782-0-10	1	griffa sussidiaria	subsidiary feed dog			
8	202781-0-10	1	griffa principale	main feed dog			
			<u>Particolari a richiesta</u>	<u>Only on request</u>			
3	204021-0-10	1	crochet superiore	upper looper			
4	202095-0-11	1	crochet inferiore	lower looper			
9	202142-0-10	1	coltello superiore	upper knife			
	202143-0-10	1	coltello super. dentato	upper knife			
	207008-2-00	1	coltello super. con placchetta	upper knife			
10	202146-0-10	1	coltello inferiore	lower knife			
●	206788-4-00	1	guida completa	guide assembly			
37	741713-0-00	1	vite	screw			
38	202824-0-10	1	lamina per orli	plate			
39	202849-0-10	1	guida	guide			
40	202282-0-10	1	passafilo	thread guard			
41	745002-0-00	1	vite	screw			
42	741642-2-00	1	vite	screw			
43	202872-0-10	1	piastrina	plate			
44	203485-0-00	1	lamina per orli da 2"	plate			
<u>Tav. 10</u>							
			<u>Pezzi annullati</u>	<u>Candelled parts</u>			
15	203774-0-10	1	piastrina fermo salva ago	plate			
16	741445-0-00	1	vite	screw			
17	201775-0-10	1	squadretta fermo spingi asola	bracket			

Fig. N. Abb. N.	Part. N. Bestell N. Piece N. Pieza N.	Qt. Anzahl	DESCRIZIONE	DESCRIPTION	BENENNUNG	DESCRIPTION	DESCRIPCION
30	<u>Tav. 3</u> 780285-0-20	1	targhetta classe testa	head class plate			
3	<u>Tav. 12</u> 204033-0-10	1	crochet superiore	upper looper			
4	202092-0-10	1	crochet superiore cieco	upper looper			
5	202094-0-11	1	crochet inferiore	lower looper			
7	202783-0-10	1	placca d'ago	needle plate			
8	202782-0-10	1	griffa sussidiaria	subsidiary feed dog			
8	202780-0-10	1	griffa principale	main feed dog			
			<u>Particolari a richiesta</u>	<u>Only on request</u>			
9	202142-0-10	1	coltello superiore	upper knife			
	202143-0-10	1	coltello super. dentato	upper knife			
	207008-2-00	1	coltello super. con placchetta	upper knife			
10	202146-0-10	1	coltello inferiore	lower knife			
	<u>Tav. 10</u>						
			<u>Pezzi annullati</u>	<u>Cancelled parts</u>			
15	203774-0-10	1	piastrina fermo salva ago	plate			
16	741445-0-00	1	vite	screw			
17	203775-0-10	1	squadretta fermo spingi asola	bracket			

Fig. N. Abb. N.	Part. N. Bestell N. Piece N. Pieza N.	Qt. Anzahl	DESCRIZIONE	DESCRIPTION	BENENNUNG	DESCRIPTION	DESCRIPCION
★	202786-3-10	1	piedino completo	presserfoot assembly			
1	741413-0-00	1	vite	screw			
2	202795-0-10	1	piastrina	plate			
3	741665-0-00	1	vite	screw			
4	202201-0-10	1	staffa	bracket			
5	741431-0-00	1	vite	screw			
6	202797-0-10	1	linguetta	tongue			
7	202789-0-10	1	blocchetto	block			
▲	203712-5-11	1	guida completa	guide assembly			
8	729013-2-00	1	vite	screw			
■	203708-4-11	1	attacco	attachment			
9	203705-0-10	1	dado	nut			
10	203716-0-10	1	pomolo	knob			
11	702408-0-00	1	molla	spring			
12	203713-0-10	1	sostegno	support			
13	203704-0-10	1	forcella	fork			
14	203710-0-10	1	supporto girevole	support			
15	203709-0-11	1	asta	rod			
16	203715-0-10	1	pomolo	knob			
17	203714-0-10	1	nottolino	pawl			
18	201162-0-10	1	pomolo	knob			
●	203711-4-11	1	guida	guide			
19	201236-0-10	1	vite	screw			
20	201246-0-10	1	blocchetto	block			
21	202805-0-10	1	vite	screw			
22	201254-2-10	1	molla con cerniera	spring			
23	203706-0-10	1	piastrina per bloccaggio	plate			
24	721412-2-00	1	vite	screw			
25	203707-0-10	1	piastrina di fermo	plate			
26	202871-0-10	1	vite	screw			
◆	202840-4-11	1	corpo della guida con cerniera	guide body			
27	202843-0-11	1	cerniera	hinge			
28	202847-0-10	1	piastrina	plate			
29	202839-0-11	1	corpo della guida	guide body			
30	744512-4-00	2	vite	screw			
31	202974-0-10	1	spina	pin			



DESCRIZIONE	BENENNUNG	DESCRIPTION	DESCRIZIONE	Part. N. Descr. N. Part. N. Descr. N.	Fig. N. Att. N.
-------------	-----------	-------------	-------------	--	--------------------

				302700-3-10	4
				302700-0-00	1
				302700-0-10	2
				302700-0-00	3
				302301-0-10	4
				302700-0-00	5
				302700-0-10	6
				302700-0-10	7
				302700-0-10	8
				302700-0-10	9
				302700-0-00	10
				302700-0-10	11
				302700-0-10	12
				302700-0-10	13
				302700-0-10	14
				302700-0-10	15
				302700-0-10	16
				302700-0-10	17
				302700-0-10	18
				302700-0-10	19
				302700-0-10	20
				302700-0-10	21
				302700-0-10	22
				302700-0-10	23
				302700-0-10	24
				302700-0-10	25
				302700-0-10	26
				302700-0-10	27
				302700-0-10	28
				302700-0-10	29
				302700-0-10	30
				302700-0-10	31

Fig. N. Abb. N.	Part. N. Bestell N. Piece N. Pieza N.	Qt. Anzahl	DESCRIZIONE	DESCRIPTION	BENENNUNG	DESCRIPTION	DESCRIPTION
★	203721-3-10	1	pedino completo	presserfoot assembly			
1	741413-0-00	1	vite	screw			
2	202795-0-10	1	piastrina	plate			
3	741665-0-00	1	vite	screw			
4	202201-0-10	1	staffa	bracket			
5	203722-0-10	1	linguetta	tongue			
6	741431-0-00	1	vite	screw			
7	202789-0-10	1	blocchetto	block			
▲	203712-5-11	1	guida completa	guide assembly			
8	729013-2-00	1	vite	screw			
■	203708-4-11	1	attacco	attachment			
9	203705-0-10	1	dadò	nut			
10	203716-0-10	1	pomolo	knob			
11	702408-0-00	1	molla	spring			
12	203713-0-10	1	sostegno	support			
13	203704-0-10	1	forcella	fork			
14	203710-0-10	1	supporto girevole	support			
15	203709-0-11	1	asta	rod			
16	203715-0-10	1	pomolo	knob			
17	203714-0-10	1	nottolino	powl			
18	201162-0-10	1	pomolo	knob			
●	203711-4-11	1	guida	guide			
19	201236-0-10	1	vite	screw			
20	201246-0-10	1	blocchetto	block			
21	202805-0-10	1	vite	screw			
22	201254-2-10	1	molla con cerniera	spring			
23	203706-0-10	1	piastrina per bloccaggio	plate			
24	721412-2-00	1	vite	screw			
25	203707-0-10	1	piastrina di fermo	plate			
26	202871-0-10	1	vite	screw			
◆	202840-4-11	1	corpo della guida con cerniera	guide body			
27	202843-0-11	1	cerniera	hinge			
28	202847-0-10	1	piastrina	plate			
29	202839-0-11	1	corpo della guida	guide body			
30	744512-4-00	2	vite	screw			
31	202974-0-10	1	spina	pin			
	<u>Tav. 3</u>						
30	780200-0-20	1	targhetta classe testa	head class plate			
	<u>Tav. 12</u>						
3	204033-0-10	1	crochet superiore	upper looper			
	202092-0-10	1	crochet super. cieco	upper blind looper			
4	202094-0-11	1	crochet inferiore	lower looper			
5	202783-0-10	1	placca d'ago	needle plate			
7	202782-0-10	1	griffa sussidiaria	subsidiary feed dog			
8	202780-0-10	1	griffa principale	main feed dog			
			<u>Particolari a richiesta</u>	<u>Only on request</u>			
9	202142-0-10	1	coltello superiore	upper knife			
	202143-0-10	1	coltello super. dentato	upper knife			
	207008-2-00	1	coltello super. con placchetta	upper knife			
10	202146-0-10	1	coltello inferiore	lower knife			
	<u>Tav. 10</u>		<u>Pezzi annullati</u>	<u>Cancelled parts</u>			
15	203774-0-10	1	piastrina fermo salva ago	plate			
16	741445-0-00	1	vite	screw			
17	203775-0-10	1	squadretta fermo spingi asola	bracket			

0879

Rumoldi

TAV. 32

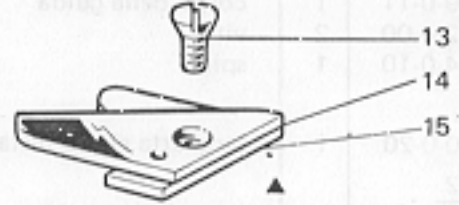
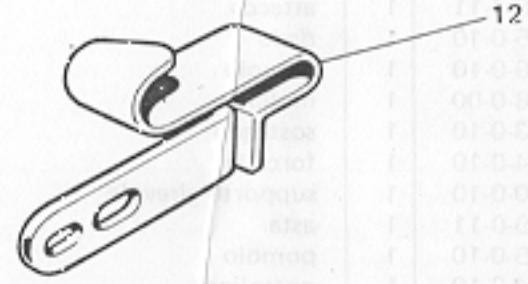
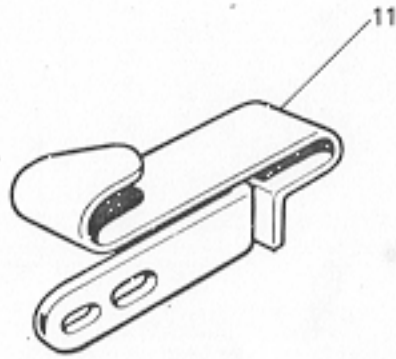
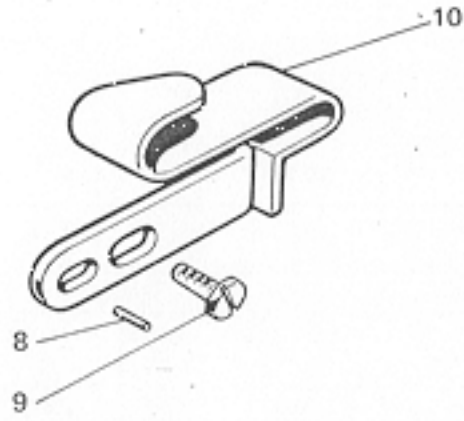
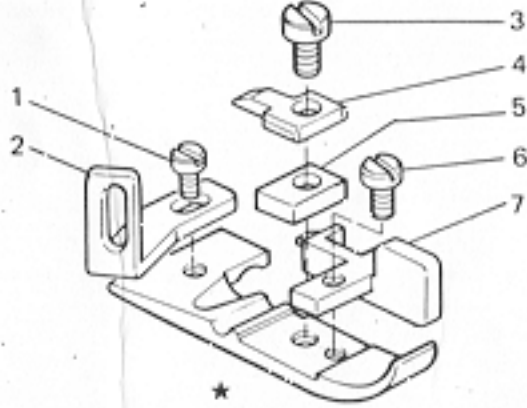


Fig. N. Part N. Descr. N. Place N. Place N.	QTY	DESCRIPTION	BENEFICIO	DESCRIPTION	DESCRIPTION
1	1	202131-0-10		laminato completo	laminato completo
2	1	202132-0-10		vitone	vitone
3	1	202133-0-00		vitone	vitone
4	1	202134-0-10		vitone	vitone
5	1	202135-0-10		vitone	vitone
6	1	202136-0-00		vitone	vitone
7	1	202137-0-10		vitone	vitone
8	1	202138-0-10		vitone	vitone
9	1	202139-0-10		vitone	vitone
10	1	202140-0-10		vitone	vitone
11	1	202141-0-10		vitone	vitone
12	1	202142-0-10		vitone	vitone
13	1	202143-0-10		vitone	vitone
14	1	202144-0-10		vitone	vitone
15	1	202145-0-10		vitone	vitone
16	1	202146-0-10		vitone	vitone
17	1	202147-0-10		vitone	vitone
18	1	202148-0-10		vitone	vitone
19	1	202149-0-10		vitone	vitone
20	1	202150-0-10		vitone	vitone
21	1	202151-0-10		vitone	vitone
22	1	202152-0-10		vitone	vitone
23	1	202153-0-10		vitone	vitone
24	1	202154-0-10		vitone	vitone
25	1	202155-0-10		vitone	vitone
26	1	202156-0-10		vitone	vitone
27	1	202157-0-10		vitone	vitone
28	1	202158-0-10		vitone	vitone
29	1	202159-0-10		vitone	vitone
30	1	202160-0-10		vitone	vitone
31	1	202161-0-10		vitone	vitone
32	1	202162-0-10		vitone	vitone
33	1	202163-0-10		vitone	vitone
34	1	202164-0-10		vitone	vitone
35	1	202165-0-10		vitone	vitone
36	1	202166-0-10		vitone	vitone
37	1	202167-0-10		vitone	vitone
38	1	202168-0-10		vitone	vitone
39	1	202169-0-10		vitone	vitone
40	1	202170-0-10		vitone	vitone
41	1	202171-0-10		vitone	vitone
42	1	202172-0-10		vitone	vitone
43	1	202173-0-10		vitone	vitone
44	1	202174-0-10		vitone	vitone
45	1	202175-0-10		vitone	vitone
46	1	202176-0-10		vitone	vitone
47	1	202177-0-10		vitone	vitone
48	1	202178-0-10		vitone	vitone
49	1	202179-0-10		vitone	vitone
50	1	202180-0-10		vitone	vitone
51	1	202181-0-10		vitone	vitone
52	1	202182-0-10		vitone	vitone
53	1	202183-0-10		vitone	vitone
54	1	202184-0-10		vitone	vitone
55	1	202185-0-10		vitone	vitone
56	1	202186-0-10		vitone	vitone
57	1	202187-0-10		vitone	vitone
58	1	202188-0-10		vitone	vitone
59	1	202189-0-10		vitone	vitone
60	1	202190-0-10		vitone	vitone
61	1	202191-0-10		vitone	vitone
62	1	202192-0-10		vitone	vitone
63	1	202193-0-10		vitone	vitone
64	1	202194-0-10		vitone	vitone
65	1	202195-0-10		vitone	vitone
66	1	202196-0-10		vitone	vitone
67	1	202197-0-10		vitone	vitone
68	1	202198-0-10		vitone	vitone
69	1	202199-0-10		vitone	vitone
70	1	202200-0-10		vitone	vitone
71	1	202201-0-10		vitone	vitone
72	1	202202-0-10		vitone	vitone
73	1	202203-0-10		vitone	vitone
74	1	202204-0-10		vitone	vitone
75	1	202205-0-10		vitone	vitone
76	1	202206-0-10		vitone	vitone
77	1	202207-0-10		vitone	vitone
78	1	202208-0-10		vitone	vitone
79	1	202209-0-10		vitone	vitone
80	1	202210-0-10		vitone	vitone
81	1	202211-0-10		vitone	vitone
82	1	202212-0-10		vitone	vitone
83	1	202213-0-10		vitone	vitone
84	1	202214-0-10		vitone	vitone
85	1	202215-0-10		vitone	vitone
86	1	202216-0-10		vitone	vitone
87	1	202217-0-10		vitone	vitone
88	1	202218-0-10		vitone	vitone
89	1	202219-0-10		vitone	vitone
90	1	202220-0-10		vitone	vitone
91	1	202221-0-10		vitone	vitone
92	1	202222-0-10		vitone	vitone
93	1	202223-0-10		vitone	vitone
94	1	202224-0-10		vitone	vitone
95	1	202225-0-10		vitone	vitone
96	1	202226-0-10		vitone	vitone
97	1	202227-0-10		vitone	vitone
98	1	202228-0-10		vitone	vitone
99	1	202229-0-10		vitone	vitone
100	1	202230-0-10		vitone	vitone

80

Fig. N. Abb. N.	Part. N. Bestell N. Piece N. Pieza N.	Qt. Anzahl	DESCRIZIONE	DESCRIPTION	BENENNUNG	DESCRIPTION	DESCRIPCION
★	202778-3-10	1	pieдино completo	presserfoot assembly			
1	202796-0-10	1	squadrettz	bracket			
2	721411-0-00	1	vite	screw			
3	741675-2-00	1	vite	screw			
4	203772-0-10	1	staffa	bracket			
5	202791-0-10	1	blocchetto	block			
6	741453-0-00	1	vite	screw			
7	202799-0-10	1	linguetta	tongue			
8	203306-0-10	1	spinetta	pin			
9	721443-2-00	1	vite	screw			
10	202857-2-10	1	guida completa	guide assembly			
			<u>Particolari a richiesta</u>	<u>Only on request</u>			
▲	202884-4-10	1	dispositivo tagliatore	device			
11	202902-2-10	1	guida completa	guide assembly			
12	202897-2-10	1	guida completa	guide assembly			
13	744510-0-00	1	vite	screw			
14	202511-0-10	1	piastina	plate			
	<u>Tav. 3</u>						
30	780200-0-20	1	targhetta classe testa	head class plate			
	<u>Tav. 12</u>						
3	204033-0-10	1	crochet superiore	upper looper			
	202092-0-10	1	crochet super. cieco	upper looper blind			
4	202094-0-11	1	crochet inferiore	lower looper			
5	202783-0-10	1	placca d'ago	needle plate			
7	202782-0-10	1	griffa sussidiaria	subsidiary feed dog			
8	202780-0-10	1	griffa principale	main feed dog			
			<u>Particolari a richiesta</u>	<u>Only on request</u>			
3	204021-0-10	1	crochet superiore	upper looper			
4	202095-0-11	1	crochet inferiore	lower looper			
5	202876-0-10	1	placca d'ago	needle plate			
	202877-0-10	1	placca d'ago	needle plate			
9	202142-0-10	1	coltello superiore	upper knife			
	202143-0-10	1	coltello super. dentato	upper knife			
	207008-2-00	1	coltello super.con placchetta	upper knife			
10	202146-0-10	1	coltello inferiore	lower knife			
	<u>Tav. 10</u>						
			<u>Pezzi annullati</u>	<u>Cancelled parts</u>			
15	203774-0-10	1	piastrina fermo salva ago	plate			
16	741445-0-00	1	vite	screw			
17	203775-0-10	1	squadretta fermo spingi asola	bracket			

FIG. N. App. N.	Part. N. Descr. N. Part. N.	DESCRIPTION	BENENNUNG	DESCRIPTION	DESCRIPTION	FIG. N. App. N.
12	202732-0-10	pedano completo	pedano completo	pedano completo	pedano completo	12
11	202728-0-10	spunfero	spunfero	spunfero	spunfero	11
10	202727-0-10	scavo	scavo	scavo	scavo	10
9	202726-0-10	scavo	scavo	scavo	scavo	9
8	202725-0-10	scavo	scavo	scavo	scavo	8
7	202724-0-10	scavo	scavo	scavo	scavo	7
6	202723-0-10	scavo	scavo	scavo	scavo	6
5	202722-0-10	scavo	scavo	scavo	scavo	5
4	202721-0-10	scavo	scavo	scavo	scavo	4
3	202720-0-10	scavo	scavo	scavo	scavo	3
2	202719-0-10	scavo	scavo	scavo	scavo	2
1	202718-0-10	scavo	scavo	scavo	scavo	1
* Only on request						
15	202717-0-10	scavo	scavo	scavo	scavo	15
14	202716-0-10	scavo	scavo	scavo	scavo	14
13	202715-0-10	scavo	scavo	scavo	scavo	13
12	202714-0-10	scavo	scavo	scavo	scavo	12
11	202713-0-10	scavo	scavo	scavo	scavo	11
10	202712-0-10	scavo	scavo	scavo	scavo	10
9	202711-0-10	scavo	scavo	scavo	scavo	9
8	202710-0-10	scavo	scavo	scavo	scavo	8
7	202709-0-10	scavo	scavo	scavo	scavo	7
6	202708-0-10	scavo	scavo	scavo	scavo	6
5	202707-0-10	scavo	scavo	scavo	scavo	5
4	202706-0-10	scavo	scavo	scavo	scavo	4
3	202705-0-10	scavo	scavo	scavo	scavo	3
2	202704-0-10	scavo	scavo	scavo	scavo	2
1	202703-0-10	scavo	scavo	scavo	scavo	1
* Part. annullati						
13	202735-0-10	scavo	scavo	scavo	scavo	13
12	202734-0-10	scavo	scavo	scavo	scavo	12
11	202733-0-10	scavo	scavo	scavo	scavo	11
10	202732-0-10	scavo	scavo	scavo	scavo	10
9	202731-0-10	scavo	scavo	scavo	scavo	9
8	202730-0-10	scavo	scavo	scavo	scavo	8
7	202729-0-10	scavo	scavo	scavo	scavo	7
6	202728-0-10	scavo	scavo	scavo	scavo	6
5	202727-0-10	scavo	scavo	scavo	scavo	5
4	202726-0-10	scavo	scavo	scavo	scavo	4
3	202725-0-10	scavo	scavo	scavo	scavo	3
2	202724-0-10	scavo	scavo	scavo	scavo	2
1	202723-0-10	scavo	scavo	scavo	scavo	1
* Part. annullati						
13	202735-0-10	scavo	scavo	scavo	scavo	13
12	202734-0-10	scavo	scavo	scavo	scavo	12
11	202733-0-10	scavo	scavo	scavo	scavo	11
10	202732-0-10	scavo	scavo	scavo	scavo	10
9	202731-0-10	scavo	scavo	scavo	scavo	9
8	202730-0-10	scavo	scavo	scavo	scavo	8
7	202729-0-10	scavo	scavo	scavo	scavo	7
6	202728-0-10	scavo	scavo	scavo	scavo	6
5	202727-0-10	scavo	scavo	scavo	scavo	5
4	202726-0-10	scavo	scavo	scavo	scavo	4
3	202725-0-10	scavo	scavo	scavo	scavo	3
2	202724-0-10	scavo	scavo	scavo	scavo	2
1	202723-0-10	scavo	scavo	scavo	scavo	1

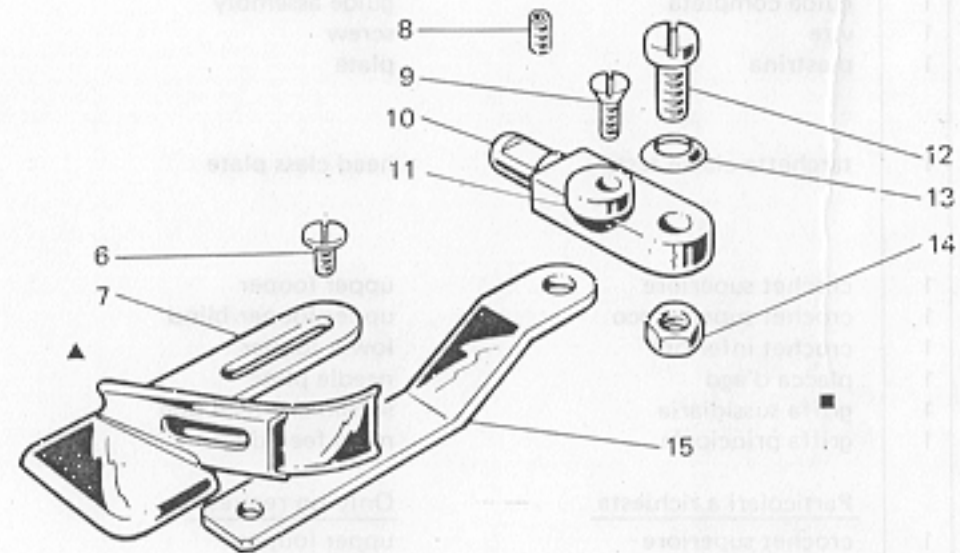
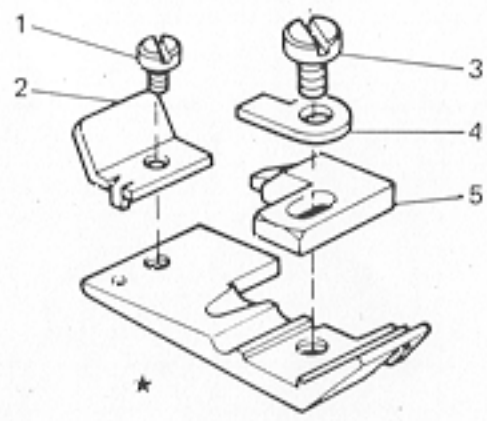
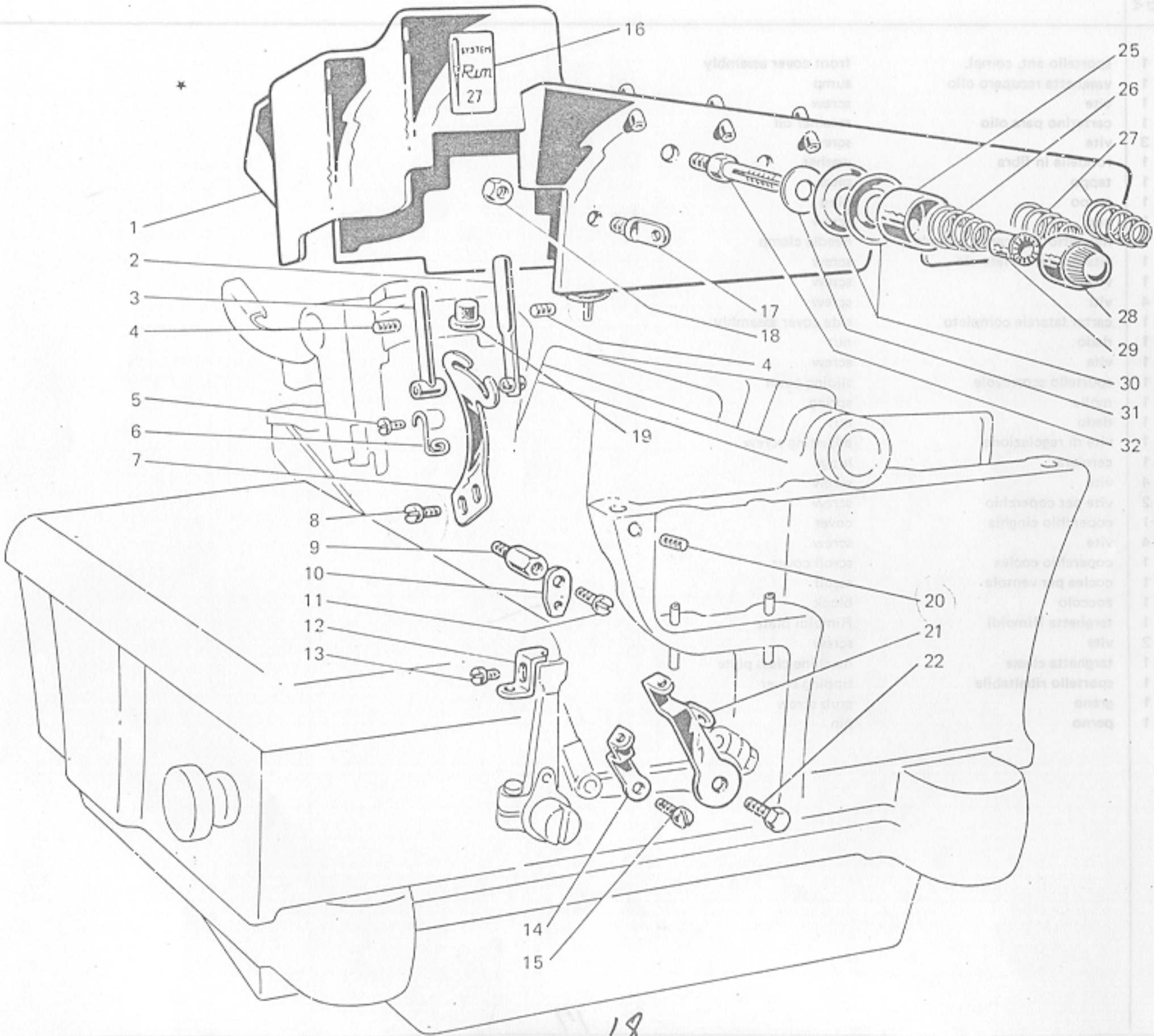


Fig. N. Abb. N.	Part. N. Bestell N. Piece N. Pieza N.	Qt. Anzahl	DESCRIZIONE	DESCRIPTION	BENENNUNG	DESCRIPTION	DESCRIPCION
★	202177-3-10	1	piedino completo	presserfoot assembly			
1	741413-0-00	1	vite	screw			
2	202192-0-10	1	piastrina	plate			
3	741665-0-00	1	vite	screw			
4	202201-0-10	1	staffa	bracket			
5	202198-0-10	1	linguetta	tongue			
▲	202314-4-10	1	guida completa	guide assembly			
6	201236-0-10	2	vite	screw			
7	202313-3-10	1	guida	guide			
■	202958-4-10	1	supporto girevole	support			
8	729013-2-00	1	vite	screw			
9	744634-0-00	1	vite	screw			
10	202970-0-10	1	sostegno	support			
11	300710-0-10	1	eccentrico	eccentric			
12	743464-2-00	1	vite	screw			
13	702406-0-00	1	molla a tazza	spring			
14	746007-2-00	1	dado	nut			
15	202967-0-10	1	supporto	support			
	<u>Tav. 3</u>						
30	780330-0-20	1	targhetta classe testa	head class plate			
	<u>Tav. 10</u>						
			<u>Pezzi annullati</u>	<u>Cancelled parts</u>			
2	202130-0-10	1	perno porta coltello superiore	pin			
3	202127-0-10	1	placchetta porta colt. super.	plate			
4	744533-0-00	1	vite	screw			
6	202131-0-10	1	nasello fissa coltello super.	snug			
7	200663-0-10	1	carterino coltello super.	cover			
8	202496-0-10	1	vite fissa coltello super.	screw			
13	704409-0-00	1	rondella	washer			
14	742457-2-00	1	vite	screw			
21	202134-0-10	1	perno fissa coltello inferiore	pin			
	<u>Tav. 12</u>						
5	202149-0-10	1	placca d'ago	needle plate			
7	202058-0-10	1	griffa sussidiaria	subsidiary feed dog			
8	202054-0-10	1	griffa principale	main feed dog			
			<u>Pezzi annullati</u>	<u>Cancelled parts</u>			
9	207000-2-00	1	coltello superiore	upper knife			
10	207015-2-00	1	coltello inferiore	lower knife			



Q.T.	DESCRIZIONE	BEZUEHRUNG	DESCRIPTION	DESCRIZIONE	Q.T.	Q.T.
1						
2						
3						
4						
5						
6						
7						
8						
9						
10						
11						
12						
13						
14						
15						
16						
17						
18						
19						
20						
21						
22						
23						
24						
25						
26						
27						
28						
29						
30						
31						
32						

Fig. N. Abb.	Part. N. Bestell N. Piece N. Pieza N.	Qt. Anzahl	DESCRIZIONE	DESCRIPTION	BENENNUNG	DESCRIPTION	DESCRIPCION
★	203157-3-10	1	pedino completo	presserfoot assembly			
1	741413-0-00	1	vite	screw			
2	202192-0-10	1	piastrina	plate			
3	741665-0-00	1	vite	screw			
4	202201-0-10	1	staffa	bracket			
5	202195-0-10	1	linguetta	tongue			
6	202193-0-10	1	squadretta di fermo	bracket			
7	721443-2-00	1	vite	screw			
▲	204915-4-12	1	pieghettatore completo	folding device			
8	300483-0-10	2	vite	screw			
9	206923-0-00	1	leva pieghettatore	folding lever			
10	204964-0-00	1	piastrina	plate			
11	204916-0-10	1	lamina	sheet			
12	729013-2-00	1	vite	screw			
13	200699-0-10	1	pomo	knob			
14	700205-0-00	1	anello	ring			
15	200074-0-10	1	bussola	bush			
16	204937-0-10	1	molla	spring			
17	200821-0-10	1	scodellino	cap			
18	200698-0-10	1	perno	pin			
19	204926-0-10	1	leva	lever			
20	204914-0-10	1	corpo pieghettatore	folding body			
21	721434-2-00	4	vite	screw			
22	204924-2-10	1	leva	lever			
23	206909-0-00	1	leva	lever			
24	202100-0-10	1	spina	pin			
25	744533-0-00	2	vite	screw			
26	204935-0-10	1	piastrina	plate			
27	204938-0-10	1	molla	spring			
28	204936-0-10	1	perno	pin			
29	748021-2-00	2	caffa	nut			
30	704216-2-00	1	rondella	washer			
31	204927-0-10	1	sostegno	support			
32	741675-2-00	2	vite	screw			
33	204918-0-10	1	perno	pin			
34	704424-2-00	1	rondella	washer			
35	204934-0-10	1	vite a perno	screw			
			Particolari a richiesta	Only on request			
■	203158-3-10	1	pedino completo	presserfoot assembly			
36	741413-0-00	1	vite	screw			
37	202192-0-10	1	piastrina	plate			
38	741665-0-00	1	vite	screw			
39	202201-0-10	1	staffa	bracket			
40	202195-0-10	1	linguetta	tongue			

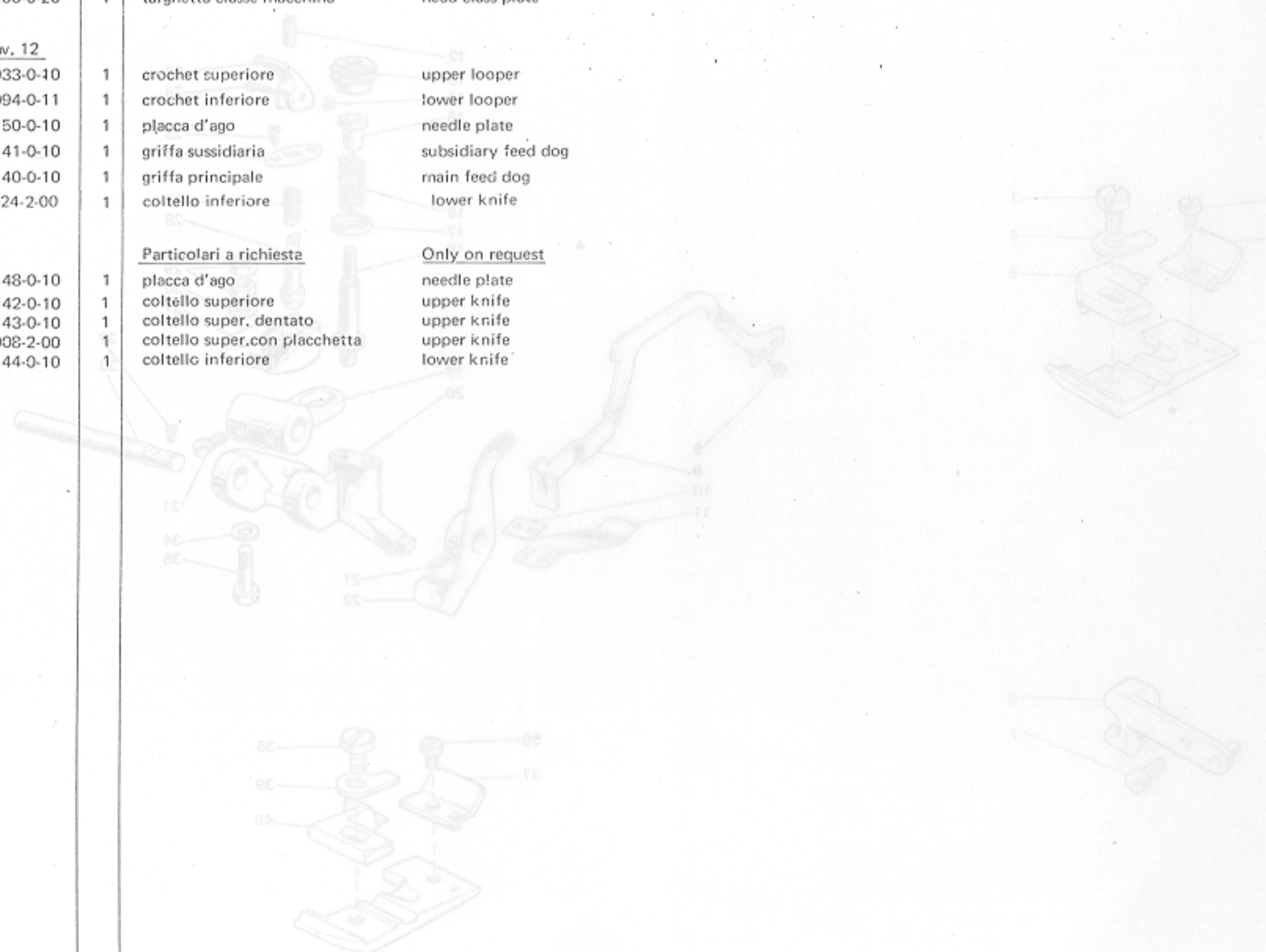
Rimoldi

327-22-1CD-02
(327-00-1CD-01)

TAV. 34

Fig. N. Abb. N.	Part. N. Bestell. N. Piece N. Pieza N.	Qt. Anzahl	DESCRIZIONE	DESCRIPTION	BENENNUNG	DESCRIPTION	DESCRIPCION
30	Tav. 3 780200-0-20	1	targhetta classe testa	head class plate			
3	Tav. 12 204033-0-10	1	crochet superiore	upper looper			
4	202094-0-11	1	crochet inferiore	lower looper			
5	203148-0-10	1	placca d'ago	needle plate			
7	203141-0-10	1	griffa sussidiaria	subsidiary feed dog			
8	203140-0-10	1	griffa principale	main feed dog			
			<u>Particolari a richiesta</u>	<u>Only on request</u>			
5	203149-0-10	1	placca d'ago	needle plate			
9	202142-0-10	1	coltello superiore	upper knife			
	202143-0-10	1	coltello super. dentato	upper knife			
	207008-2-00	1	coltello super.con placchetta	upper knife			
10	202146-0-10	1	coltello inferiore	lower knife			

Fig. N. Abb. N.	Part. N. Bestell N. Piece N. Pieza N.	Qt. Anzahl	DESCRIZIONE	DESCRIPTION	BENENNUNG	DESCRIPTION	DESCRIPCION
30	Tav. 3 780200-0-20	1	targhetta classe macchina	head class plate			
3	Tav. 12 204033-0-10	1	crochet superiore	upper looper			
4	202094-0-11	1	crochet inferiore	lower looper			
5	203150-0-10	1	placca d'ago	needle plate			
7	203141-0-10	1	griffa sussidiaria	subsidiary feed dog			
8	203140-0-10	1	griffa principale	main feed dog			
10	207024-2-00	1	coltello inferiore	lower knife			
			<u>Particolari a richiesta</u>	<u>Only on request</u>			
5	203148-0-10	1	placca d'ago	needle plate			
9	202142-0-10	1	coltello superiore	upper knife			
	202143-0-10	1	coltello super. dentato	upper knife			
	207008-2-00	1	coltello super. con placchetta	upper knife			
10	203144-0-10	1	coltello inferiore	lower knife			



Rumoldi

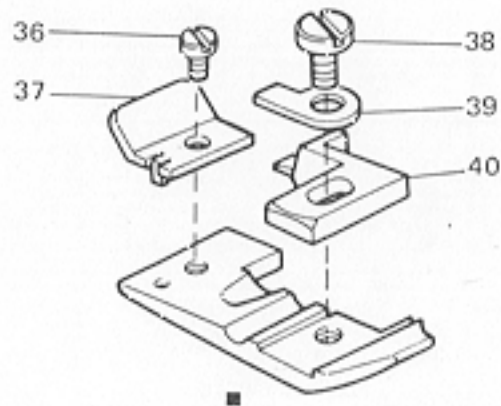
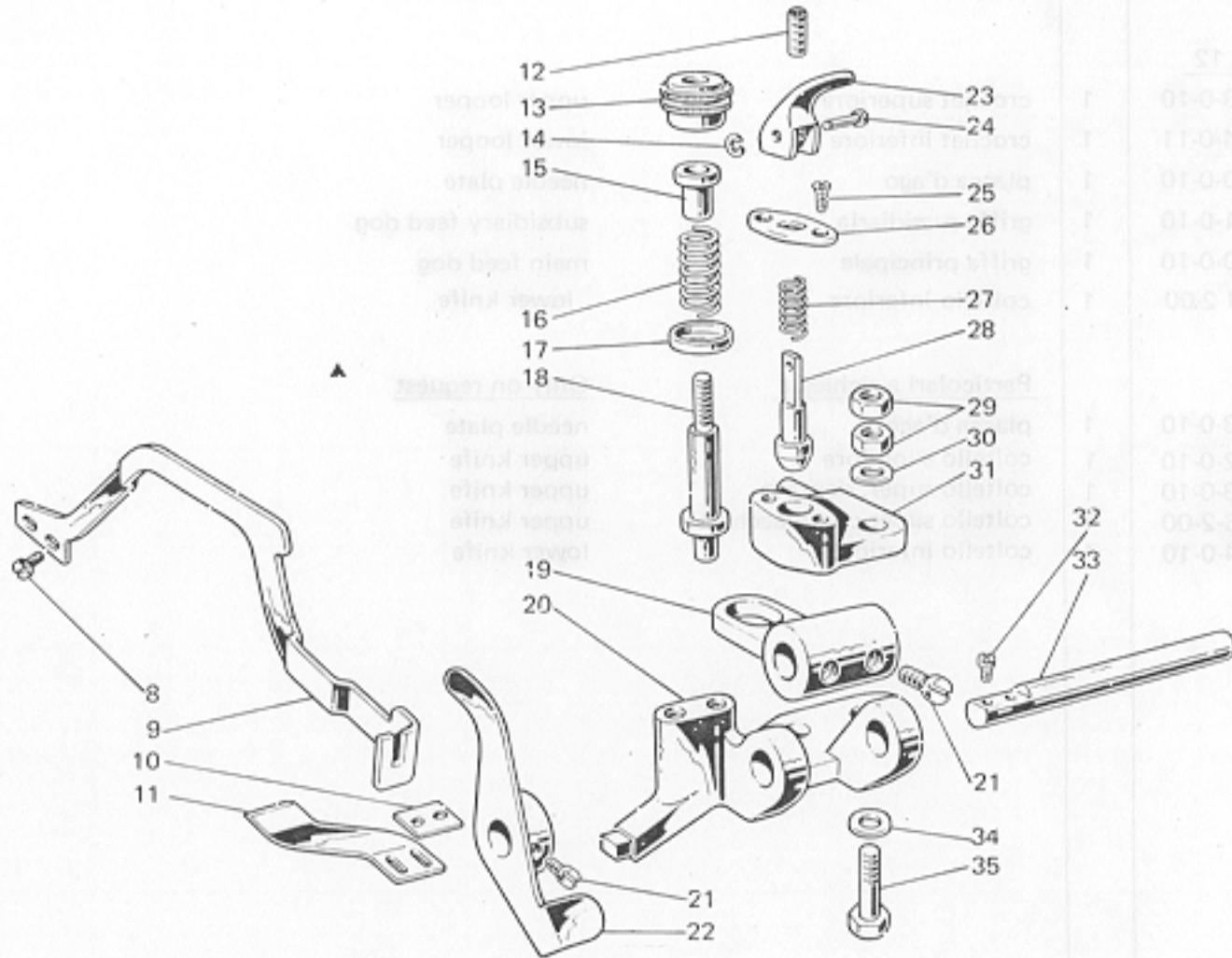
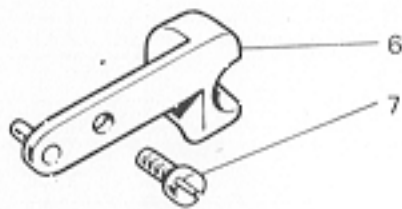
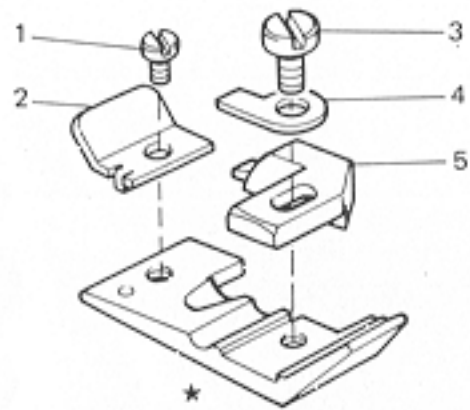
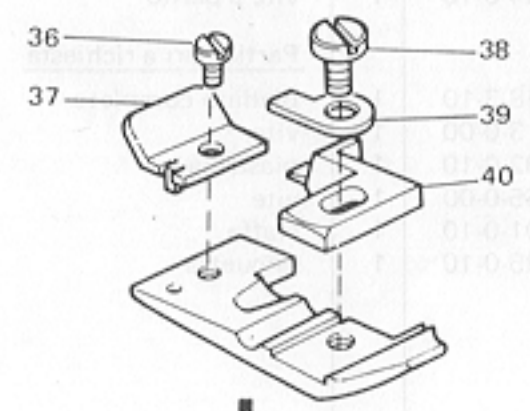
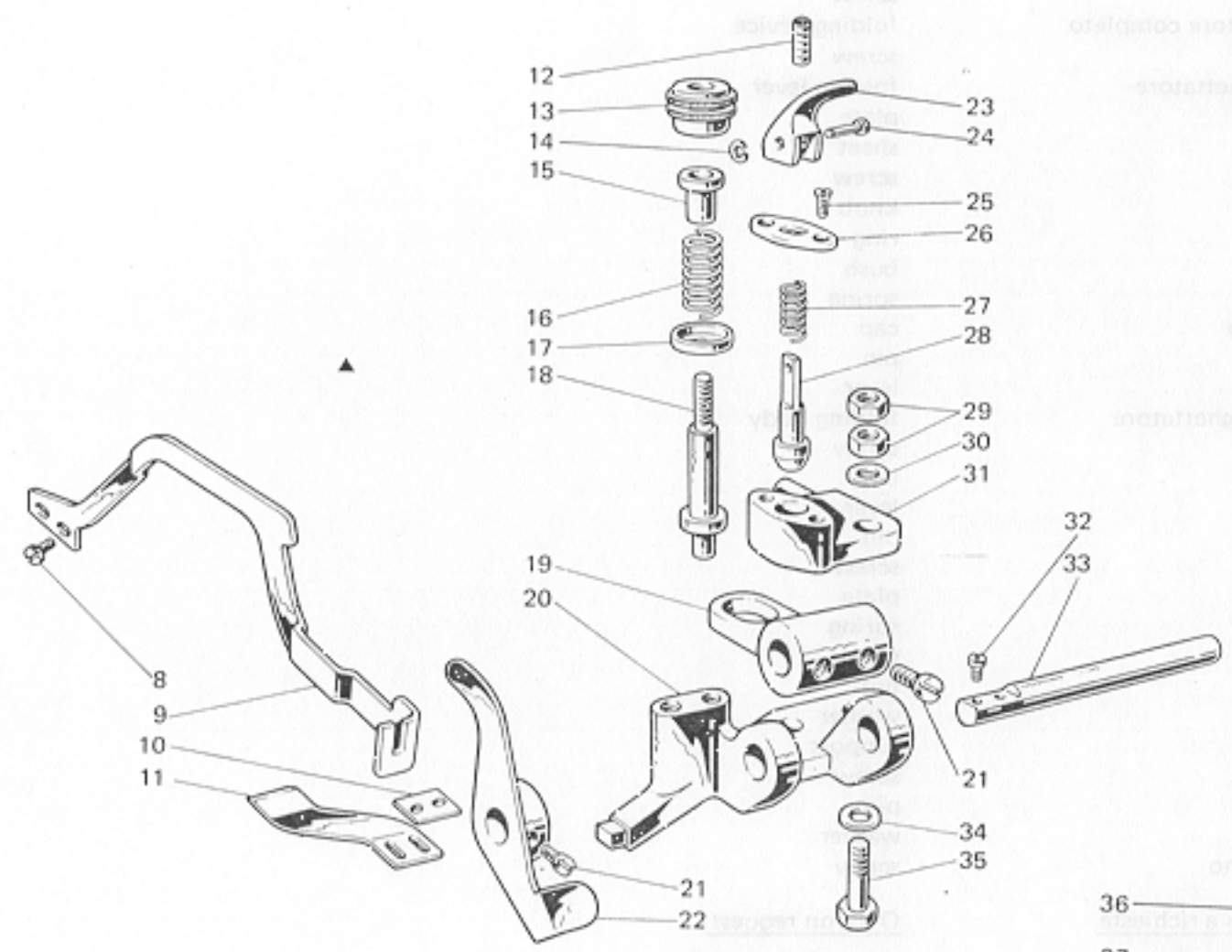
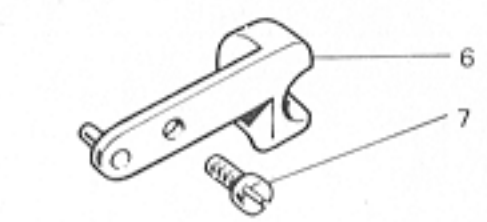
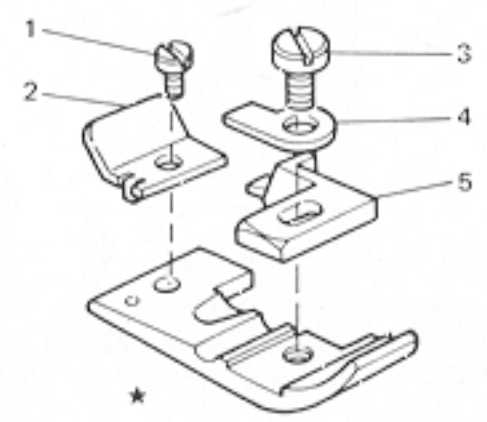


Fig. N. Abb. N.	Part. N. Bestell N. Piece N. Pieza N.	Qt. Anzahl	DESCRIZIONE	DESCRIPTION	BENENNUNG	DESCRIPTION	DESCRIPCION
★	203159-3-10	1	pedino completo	presserfoot assembly			
1	741413-0-00	1	vite	screw			
2	202192-0-10	1	piastrina	plate			
3	741665-0-00	1	vite	screw			
4	202201-0-10	1	staffa	bracket			
5	202173-0-10	1	linguetta	tongue			
6	202193-0-10	1	squadretta di fermo	bracket			
7	721443-2-00	1	vite	screw			
▲	204915-4-12	1	pieghettatore completo	folding device			
8	300483-0-10	2	vite	screw			
9	206923-0-00	1	leva pieghettatore	folding lever			
10	204964-0-00	1	piastrina	plate			
11	204916-0-10	1	lamina	sheet			
12	729013-2-00	1	vite	screw			
13	200699-0-10	1	pomolo	knob			
14	700205-0-00	1	anello	ring			
15	200074-0-10	1	bussola	bush			
16	204937-0-10	1	molla	spring			
17	200821-0-10	1	scodellino	cap			
18	200698-0-10	1	perno	pin			
19	204926-0-10	1	leva	lever			
20	204914-0-10	1	corpo pieghettatore	folding body			
21	721434-2-00	4	vite	screw			
22	204924-2-10	1	leva	lever			
23	206909-0-00	1	leva	lever			
24	202100-0-10	1	spina	pin			
25	744533-0-00	2	vite	screw			
26	204935-0-10	1	piastrina	plate			
27	204938-0-10	1	molla	spring			
28	204936-0-10	1	puntale	pin			
29	746021-2-00	2	dado	nut			
30	704216-2-00	1	rondella	washer			
31	204927-0-10	1	sostegno	support			
32	741675-2-00	2	vite	screw			
33	204918-0-10	1	perno	pin			
34	704424-2-00	1	rondella	washer			
35	204934-0-10	1	vite a perno	screw			
			<u>Particolari a richiesta</u>	<u>Only on request</u>			
■	203158-3-10	1	pedino completo	presserfoot assembly			
36	741413-0-00	1	vite	screw			
37	202192-0-10	1	piastrina	plate			
38	741665-0-00	1	vite	screw			
39	202201-0-10	1	staffa	bracket			
40	202195-0-10	1	linguetta	tongue			

DESCRIPTION BENENNUNG DESCRIPTION DESCRIZIONE



QTY	Part N°	DESCRIPTION
1	202180-3-10	pedino completo
1	241412-0-00	vite
1	202182-0-10	placina
1	241668-0-00	vite
1	202201-0-10	staffa
1	202173-0-10	logorota
1	202198-0-10	spuntatore di ferro
1	232443-2-10	vite
1	202125-4-12	elestatore completo
2	200183-0-10	vite
1	206122-0-10	leva regolatore
1	202021-0-00	placina
1	202016-0-10	lamina
1	220112-2-00	vite
1	200289-0-10	perno
1	200208-0-00	caulic
1	200274-0-10	braccio
1	202271-0-10	molla
1	200221-0-10	scobalino
1	200282-0-10	perno
1	202022-0-10	leva
1	202024-0-10	corpo regolatore
4	221234-2-00	vite
1	202023-0-10	leva
1	202029-0-00	leva
3	202199-0-10	vite
2	241623-0-00	vite
1	202032-0-10	placina
1	202028-0-10	molla
1	202026-0-10	perno
2	202021-2-00	caulic
1	202027-0-10	braccio
1	241622-2-00	braccio
2	241622-2-00	vite
1	202018-0-10	perno
1	202024-2-00	braccio
1	202024-0-10	vite a perno
1	202180-3-10	pedino completo
1	241412-0-00	vite
1	202182-0-10	placina
1	241668-0-00	vite
1	202201-0-10	staffa
1	202173-0-10	logorota
1	202198-0-10	spuntatore di ferro
1	232443-2-10	vite
1	202125-4-12	elestatore completo
2	200183-0-10	vite
1	206122-0-10	leva regolatore
1	202021-0-00	placina
1	202016-0-10	lamina
1	220112-2-00	vite
1	200289-0-10	perno
1	200208-0-00	caulic
1	200274-0-10	braccio
1	202271-0-10	molla
1	200221-0-10	scobalino
1	200282-0-10	perno
1	202022-0-10	leva
1	202024-0-10	corpo regolatore
4	221234-2-00	vite
1	202023-0-10	leva
1	202029-0-00	leva
3	202199-0-10	vite
2	241623-0-00	vite
1	202032-0-10	placina
1	202028-0-10	molla
1	202026-0-10	perno
2	202021-2-00	caulic
1	202027-0-10	braccio
1	241622-2-00	braccio
2	241622-2-00	vite
1	202018-0-10	perno
1	202024-2-00	braccio
1	202024-0-10	vite a perno
1	202180-3-10	pedino completo
1	241412-0-00	vite
1	202182-0-10	placina
1	241668-0-00	vite
1	202201-0-10	staffa
1	202173-0-10	logorota
1	202198-0-10	spuntatore di ferro
1	232443-2-10	vite
1	202125-4-12	elestatore completo
2	200183-0-10	vite
1	206122-0-10	leva regolatore
1	202021-0-00	placina
1	202016-0-10	lamina
1	220112-2-00	vite
1	200289-0-10	perno
1	200208-0-00	caulic
1	200274-0-10	braccio
1	202271-0-10	molla
1	200221-0-10	scobalino
1	200282-0-10	perno
1	202022-0-10	leva
1	202024-0-10	corpo regolatore
4	221234-2-00	vite
1	202023-0-10	leva
1	202029-0-00	leva
3	202199-0-10	vite
2	241623-0-00	vite
1	202032-0-10	placina
1	202028-0-10	molla
1	202026-0-10	perno
2	202021-2-00	caulic
1	202027-0-10	braccio
1	241622-2-00	braccio
2	241622-2-00	vite
1	202018-0-10	perno
1	202024-2-00	braccio
1	202024-0-10	vite a perno

Fig. N. Abb. N.	Part. N. Bestell N. Pieze N.	Qt. Anzahl	DESCRIZIONE	DESCRIPTION	BENENNUNG	DESCRIPTION	DESCRIPCION
★	203157-3-10	1	pedino completo	presserfoot assembly			
1	741413-0-00	1	vite	screw			
2	202192-0-10	1	piastrina	plate			
3	741665-0-00	1	vite	screw			
4	202201-0-10	1	staffa	bracket			
5	202195-0-10	1	linguetta	tongue			
6	202193-0-10	1	squadretta di fermo	bracket			
7	721443-2-00	1	vite	screw			
▲	204915-4-12	1	pieghettatore completo	folding device			
8	300483-0-10	2	vite	screw			
9	206923-0-00	1	leva pieghettatore	folding lever			
10	204964-0-00	1	piastrina	plate			
11	204916-0-10	1	lamina	sheet			
12	729013-2-00	1	vite	screw			
13	200699-0-10	1	pmolo	knob			
14	700205-0-00	1	anello	ring			
15	200074-0-10	1	bussola	bush			
16	204937-0-10	1	molla	spring			
17	200821-0-10	1	scodellino	cap			
18	200698-0-10	1	perno	pin			
19	204926-0-10	1	leva	lever			
20	204914-0-10	1	corpo pieghettatore	folding body			
21	721434-2-00	4	vite	screw			
22	204924-2-10	1	leva	lever			
23	206909-0-00	1	leva	lever			
24	202100-0-10	1	spina	pin			
25	744533-0-00	2	vite	screw			
26	204935-0-10	1	piastrina	plate			
27	204938-0-10	1	molla	spring			
28	204936-0-10	1	puntale	pin			
29	746021-2-00	2	dado	nut			
30	704216-2-00	1	rondella	washer			
31	204927-0-10	1	sostegno	support			
32	741675-2-00	2	vite	screw			
33	204918-0-10	1	perno	pin			
34	704424-2-00	1	rondella	washer			
35	204934-0-10	1	vite a perno	screw			
			Particolari a richiesta	Only on request			
■	203158-3-10	1	pedino completo	presserfoot assembly			
36	741413-0-00	1	vite	screw			
37	202192-0-10	1	piastrina	plate			
38	741665-0-00	1	vite	screw			
39	202201-0-10	1	staffa	bracket			
40	202195-0-10	1	linguetta	tongue			

Rumoldi

Fig. N. Abb.	Part. N. Bestell N. Piece N. Pieza N.	Ct. Anzahl	DESCRIZIONE	DESCRIPTION	BENENNUNG	DESCRIPTION	DESCRIPCION
30	<u>Tav. 3</u> 780200-0-20	1	targhetta classe testa	head class plate			
	<u>Tav. 10</u>		<u>Pezzi annullati</u>	<u>Cancelled parts</u>			
15	203774-0-10	1	piastrina fermo salva ago	stop plate			
16	741445-0-00	1	vite	screw			
17	203775-0-10	1	squadretta fermo spingi asola	stop bracket			
	<u>Tav. 12</u>						
3	204033-0-10	1	crochet superiore	upper looper			
4	202094-0-11	1	crochet inferiore	lower looper			
5	203280-0-10	1	placca d'ago	needle plate			
7	203271-0-10	1	griffa sussidiaria	subsidiary feed dog			
8	203270-0-10	1	griffa principale	main feed dog			
	<u>Particolari a richiesta</u>		<u>Only on request</u>				
5	203149-0-10	1	placca d'ago	needle plate			
9	202142-0-10	1	coltello superiore	upper knife			
	202143-0-10	1	coltello super. dentato	upper knife			
	207008-2-00	1	coltello super. con placchetta	upper knife			
10	202146-0-10	1	coltello inferiore	lower knife			

Fig. N. Abb. N.	Part. N. Bestell N. Piece N. Pieza N.	Qt. Anzahl	DESCRIZIONE	DESCRIPTION	BENENNUNG	DESCRIPTION	DESCRIPCION
30	<u>Tav. 3</u> 780200-0-20	1	targhetta classe testa	head class plate			
3	<u>Tav. 12</u> 204033-0-10	1	crochet superiore	upper looper			
4	202094-0-11	1	crochet inferiore	lower looper			
5	203150-0-10	1	placca ago	needle plate			
7	203271-0-10	1	griffa sussidiaria	subsidiary feed dog			
8	203270-0-10	1	griffa principale	main feed dog			
10	207024-2-00	1	coltello inferiore	lower knife			
			<u>Particolari a richiesta</u>	<u>Only on request</u>			
5	203148-0-10	1	placca d'ago	needle plate			
9	202142-0-10	1	coltello superiore	upper knife			
	202143-0-10	1	coltello super. dentato	upper knife			
	207008-2-00	1	coltello super. con placchetta	upper knife			
10	202144-0-10	1	coltello inferiore	lower knife			

Fig. N. Abb. N.	Part. N. Bestell N. Piece N. Pieza N.	Qt. Anzahl	DESCRIZIONE	DESCRIPTION	BENENNUNG	DESCRIPTION	DESCRIPCION
★	206250-4-00	1	coperchio sup. compl.	upper cover assembly			
1	206315-3-00	1	coperchio con passafili	cover			
2	206706-0-00	1	passafilo	thread guide			
3	202267-2-11	1	passafilo dell'ago	thread guide			
4	729011-2-00	2	vite	screw			
5	741535-0-00	1	vite	screw			
6	202519-0-01	1	passafilo per morsetto	thread guide			
7	206573-0-00	1	tendifilo ago	thread take-up			
8	741539-0-00	2	vite	screw			
9	206755-0-00	1	colonnina per passafilo	thread tube			
10	206812-0-00	1	passafilo crochet super.	thread guide			
11	744631-2-00	1	vite	screw			
12	202288-0-10	1	squadretta	bracket			
13	741415-0-00	1	vite	screw			
14	202279-0-10	1	tendifilo	thread take-up			
15	741657-0-00	1	vite	screw			
16	788001-0-01	1	decalcomania sist.aghi Rim27	needle Rim27 decalcomania			
17	206711-0-00	3	passafilo	thread guide			
18	733503-0-00	3	dado	nut			
19	206746-0-00	1	tampone	pad			
20	745803-2-00	3	vite	screw			
21	206650-0-00	1	tendifilo crochet inf.	thread take-up			
22	720431-2-00	1	vite	screw			
23	206342-4-00	1	tensione compl.con molla fig.26	tension assembly with spring fig.26			
24	206341-4-00	2	tensione compl.con molla fig.27	tension assembly with spring fig.27			
25	202556-0-00	3	scodellino	cup			
26	202228-0-10	1	molla per tensione fig. 23	spring for tension fig. 23			
27	202227-0-10	2	molla per tensione fig.24	spring for tension fig.24			
28	202558-2-00	3	pomolo	knob			
29	202229-0-10	3	bussola	bush			
30	300218-0-10	5	disco tensione	tension disc			
31	206754-0-00	3	rondella	washer			
32	206747-0-01	3	perno	pin			

Rimoldi

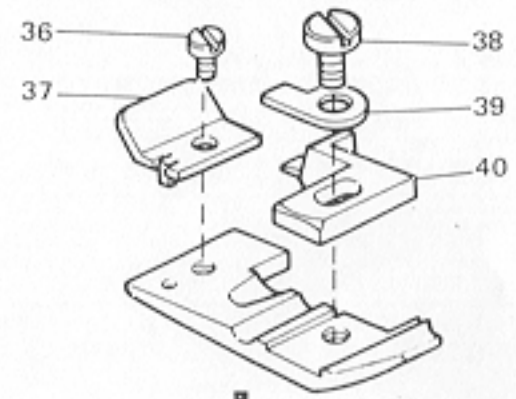
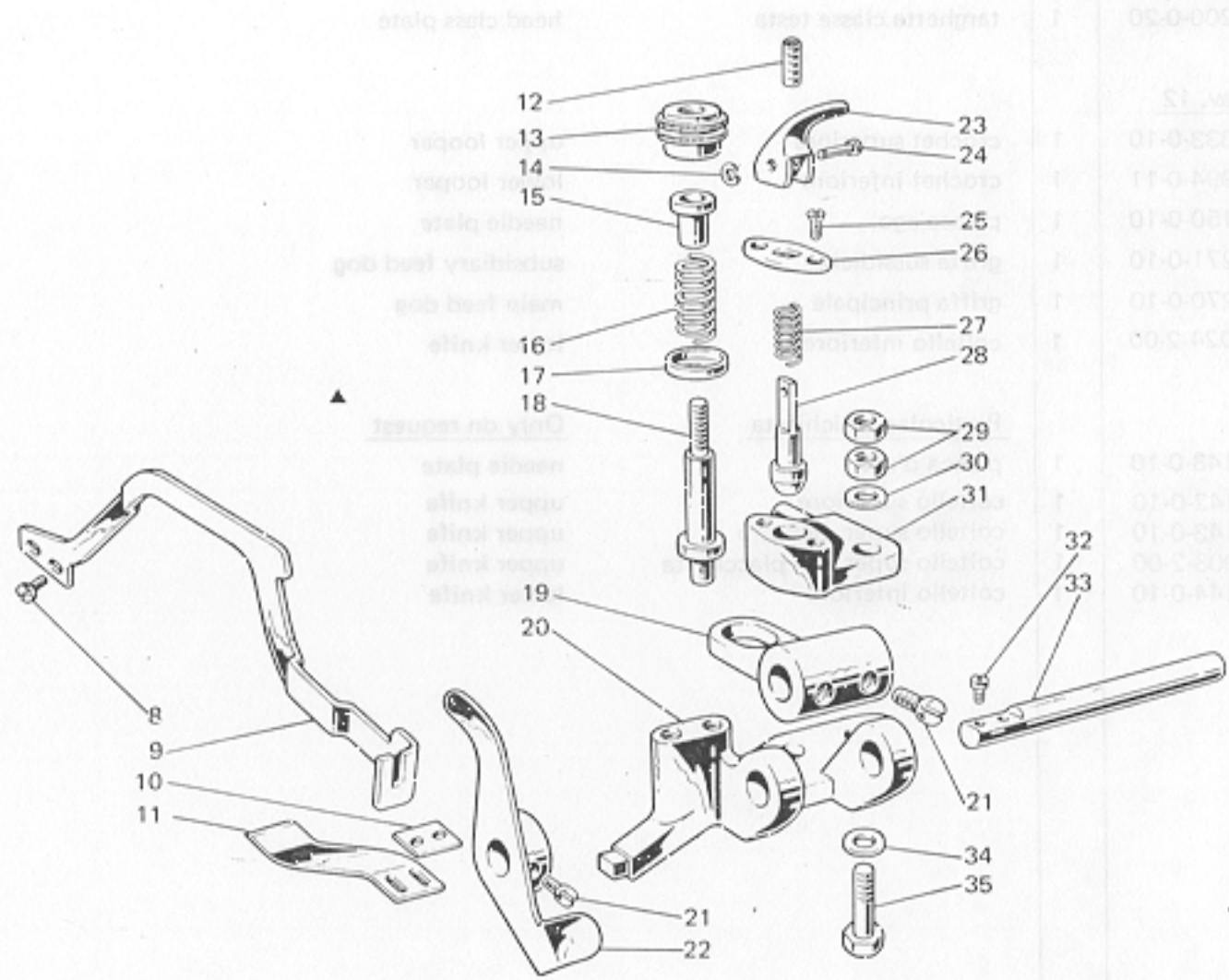
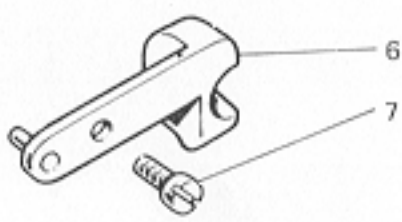
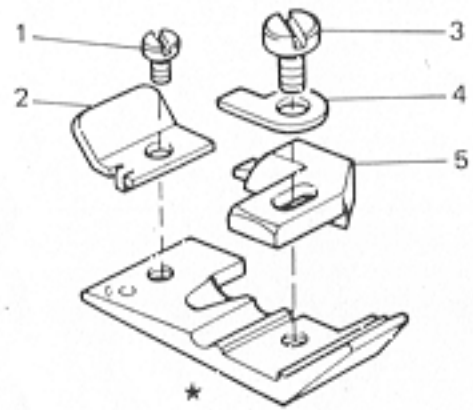
DESCRIPTION

BENENNUNG

DESCRIPTION

DESCRIZIONE

TAV. 37



180200-0-20
200200-0-10
200200-0-11
200180-0-10
200271-0-10
200270-0-10
200202-0-00
200148-0-10
200142-0-10
200143-0-10
200102-0-00
200144-0-10

Fig. N. Abb. N.	Part. N. Bestell N. Piece N. Pieza N.	Qt. Anzahl	DESCRIZIONE	DESCRIPTION	BENENNUNG	DESCRIPTION	DESCRIPCION
★	203159-3-10	1	pedino completo	presserfoot assembly			
1	741413-0-00	1	vite	screw			
2	202192-0-10	1	piastrina	plate			
3	741665-0-00	1	vite	screw			
4	202201-0-10	1	staffa	bracket			
5	202173-0-10	1	linguetta	tongue			
6	202193-0-10	1	squadretta di fermo	bracket			
7	721443-2-00	1	vite	screw			
▲	204915-4-12	1	pieghettatore completo	folding device			
8	300483-0-10	2	vite	screw			
9	206923-0-00	1	leva pieghettatore	folding lever			
10	204964-0-00	1	piastrina	plate			
11	204916-0-10	1	lamina	sheet			
12	729013-2-00	1	vite	screw			
13	200699-0-10	1	pomolo	knob			
14	700205-0-00	1	anello	ring			
15	200074-0-10	1	bussola	bush			
16	204937-0-10	1	molla	spring			
17	200821-0-10	1	scodellino	cap			
18	200698-0-10	1	perno	pin			
19	204926-0-10	1	leva	lever			
20	204914-0-10	1	corpo pieghettatore	folding body			
21	721434-2-00	4	vite	screw			
22	204924-2-10	1	leva	lever			
23	206909-0-00	1	leva	lever			
24	202100-0-10	1	spina	pin			
25	744533-0-00	2	vite	screw			
26	204935-0-10	1	piastrina	plate			
27	204938-0-10	1	molla	spring			
28	204936-0-10	1	puntale	pin			
29	746021-2-00	2	dado	nut			
30	704216-2-00	1	rondella	washer			
31	204927-0-10	1	sostegno	support			
32	741675-2-00	2	vite	screw			
33	204918-0-10	1	perno	pin			
34	704424-2-00	1	rondella	washer			
35	204934-0-10	1	vite a perno	screw			
			Particolari a richiesta	Only on request			
■	203158-3-10	1	pedino completo	presserfoot assembly			
36	741413-0-00	1	vite	screw			
37	202192-0-10	1	piastrina	plate			
38	741665-0-00	1	vite	screw			
39	202201-0-10	1	staffa	bracket			
40	202195-0-10	1	linguetta	tongue			

Rimoldi

DESCRIPTION

BEZEICHNUNG

DESCRIPTION

DESCRIZIONE

TAV. 38

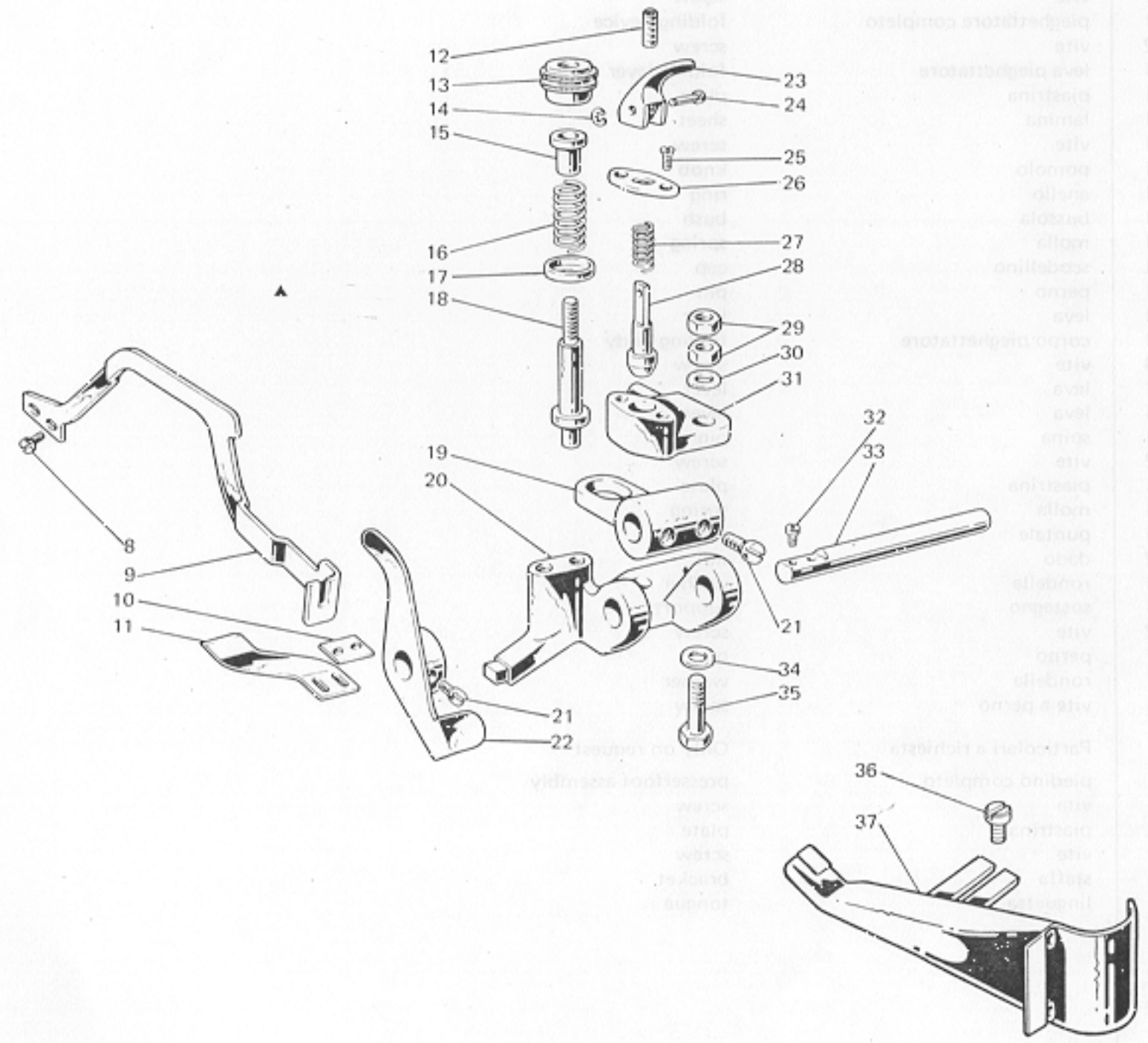
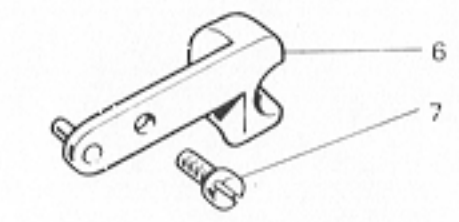
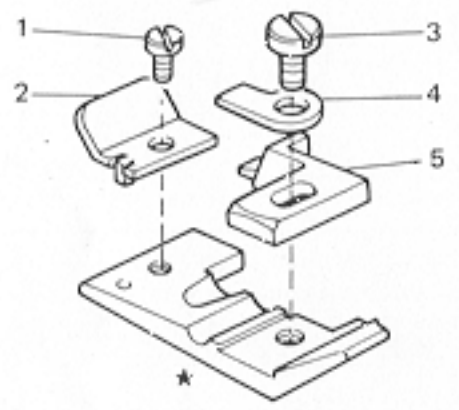


Fig. N. Abb. N.	Part. N. Bestell N. Piece N. Pieza N.	Qt. Anzahl	DESCRIZIONE	DESCRIPTION	BENENNUNG	DESCRIPTION	DESCRIPCION
★	203160-3-10	1	piedino completo	presserfoot assembly			
1	741413-0-00	1	vite	screw			
2	202192-0-10	1	piastrina	plate			
3	741665-0-00	1	vite	screw			
4	202201-0-10	1	staffa	bracket			
5	202195-0-10	1	linguetta	tongue			
6	202193-0-10	1	squadretta di fermo	bracket			
7	721443-2-00	1	vite	screw			
▲	204915-4-12	1	pieghettatore completo	folding device			
8	300483-0-10	2	vite	screw			
9	206923-0-00	1	leva pieghettatore	folding lever			
10	204964-0-00	1	piastrina	plate			
11	204916-0-10	1	lamina	sheet			
12	729013-2-00	1	vite	screw			
13	200699-0-10	1	pornolo	knob			
14	700205-0-00	1	anello	ring			
15	200074-0-10	1	bussola	bush			
16	204937-0-10	1	molla	spring			
17	200821-0-10	1	scodellino	cap			
18	200698-0-10	1	perno	pin			
19	204926-0-10	1	leva	lever			
20	204914-C-10	1	corpo pieghettatore	folding body			
21	721434-2-00	4	vite	screw			
22	204924-2-10	1	leva	lever			
23	206909-0-00	1	leva	lever			
24	202100-0-10	1	spina	pin			
25	744533-0-00	2	vite	screw			
26	204935-0-10	1	piastrina	plate			
27	204938-0-10	1	molla	spring			
28	204936-0-10	1	puntale	pin			
29	746021-2-00	2	dado	nut			
30	704216-2-00	1	rondella	washer			
31	204927-0-10	1	sostegno	support			
32	741675-2-00	2	vite	screw			
33	204918-0-10	1	perno	pin			
34	704424-2-00	1	rondella	washer			
35	204934-0-10	1	vite a perno	screw			
36	721444-2-00	2	vite	screw			
37	204930-2-10	1	guida	guide			

Rimoldi

327-23-1CD-02
(327-00-1CD-01)

TAV. 38

Fig. N. Abb. N.	Part. N. Bestell N. Piece N. Pieza N.	Qt. Anzahl	DESCRIZIONE	DESCRIPTION	BENENNUNG	DESCRIPTION	DESCRIPCION
30	<u>Tav. 3</u> 780200-0-20	1	targhetta classe testa	head class plate			
3	<u>Tav. 12</u> 204033-0-10	1	crochet superiore	upper looper			
4	202094-0-11	1	crochet inferiore	lower looper			
5	203148-0-10	1	placca ago	needle plate			
7	203141-0-10	1	griffa sussidiaria	subsidiary feed dog			
8	203140-0-10	1	griffa principale	main feed dog			
			<u>Particolari a richiesta</u>	<u>Only on request</u>			
5	203149-0-10	1	placca d'ago	needle plate			
9	202142-0-10	1	coltello superiore	upper knife			
	202143-0-10	1	coltello super. dentato	upper knife			
	207008-2-00	1	coltello super. con piacchetta	upper knife			
10	202146-0-10	1	coltello inferiore	lower knife			

Fig. N. Abb. N.	Part. N. Bestell N. Piece N. Pieza N.	Qt. Anzahl	DESCRIZIONE	DESCRIPTION	BENENNUNG	DESCRIPTION	DESCRIPCION
30	<u>Tav. 3</u> 780200-0-20	1	targhetta classe testa	head class plate			
	<u>Tav. 10</u>						
			<u>Pezzi annullati</u>	<u>Cancelled parts</u>			
15	203774-0-10	1	piastrina fermo salva ago	stop plate			
16	741445-0-00	1	vite	screw			
17	203775-0-10	1	squadretta fermo spingi asola	stop bracket			
	<u>Tav. 12</u>						
3	204033-0-10	1	crochet superiore	upper looper			
4	202094-0-11	1	crochet inferiore	lower looper			
5	203280-0-10	1	placca d'ago	needle plate			
7	203271-0-10	1	griffa sussidiaria	subsidiary feed dog			
8	203270-0-10	1	griffa principale	main feed dog			
			<u>Particolari a richiesta</u>	<u>Only on request</u>			
5	203149-0-10	1	placca d'ago	needle plate			
9	202142-0-10	1	coltello superiore	upper knife			
	202143-0-10	1	coltello super. dentato	upper knife			
	207008-2-00	1	coltello super. con placchetta	upper knife			
10	202146-0-10	1	coltello inferiore	lower knife			

Rumoldi

DESCRIPTION

BENENNUNG

DESCRIPTION

DESCRIZIONE

TAV. 39

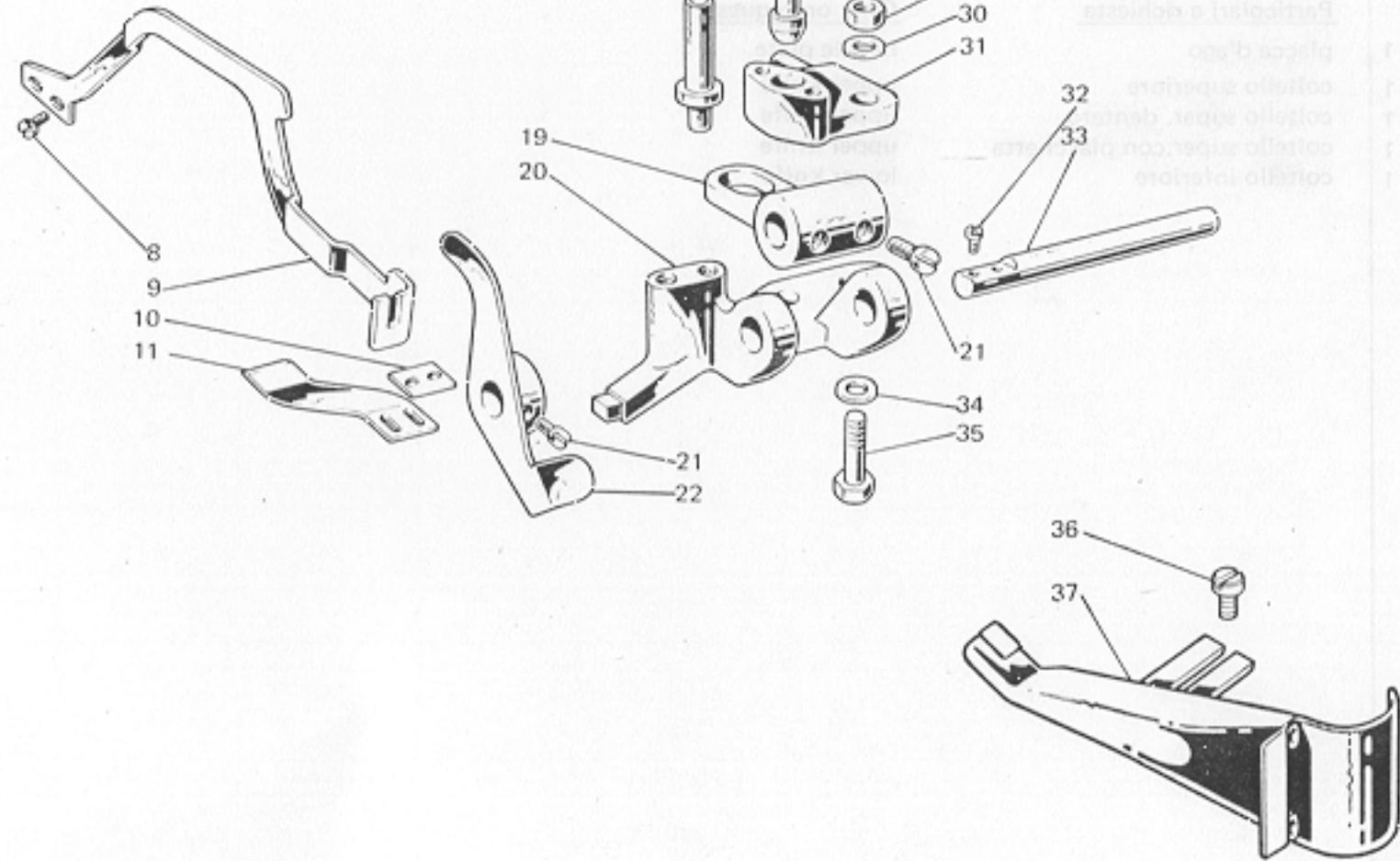
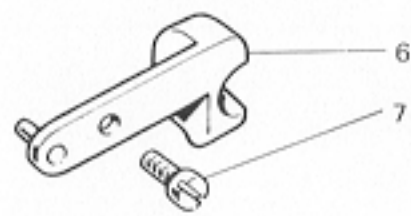
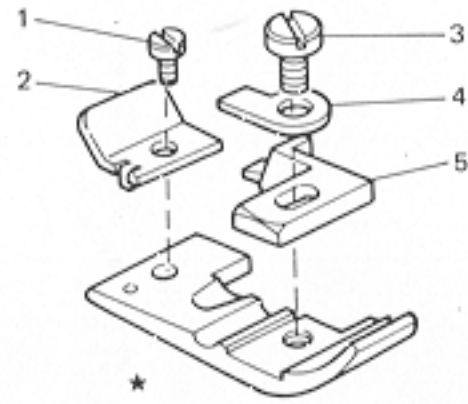
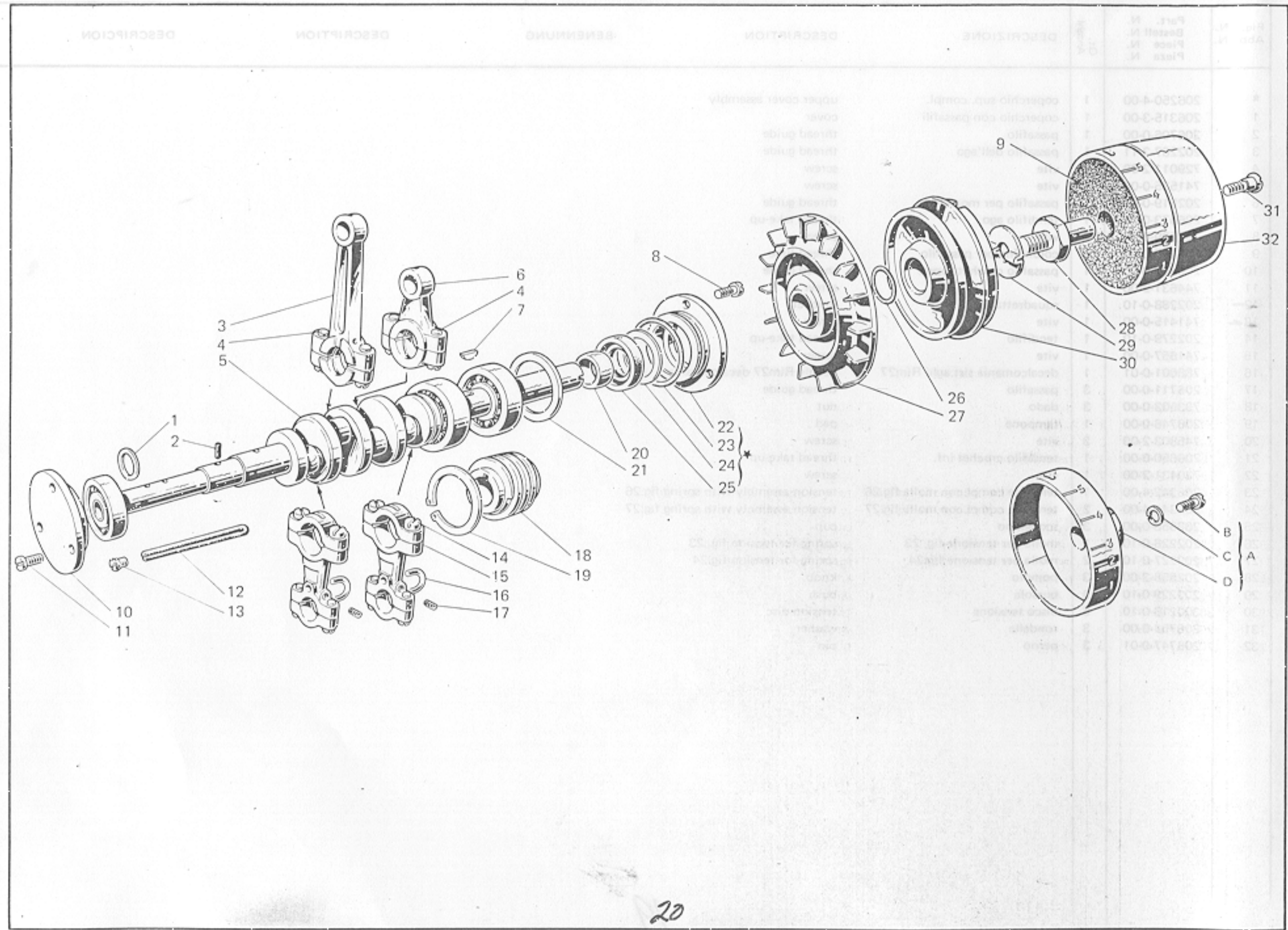


Fig. N. Abb.	Part. N. Bestell. N. Piece N. Pieza N.	Qt. Anzahl	DESCRIZIONE	DESCRIPTION	BENENNUNG	DESCRIPTION	DESCRIPCION
★	203157-3-10	1	pedino completo	presserfoot assembly			
1	741413-0-00	1	vite	screw			
2	202192-0-10	1	piastrina	plate			
3	741665-0-00	1	vite	screw			
4	202201-0-10	1	staffa	bracket			
5	202195-0-10	1	linguetta	tongue			
6	202193-0-10	1	squadretta di fermo	bracket			
7	721443-2-00	1	vite	screw			
▲	204915-4-12	1	pieghettatore completo	folding device			
8	300483-0-10	2	vite	screw			
9	206923-0-00	1	leva pieghettatore	folding lever			
10	204964-0-00	1	piastrina	plate			
11	204916-0-10	1	lamina	sheet			
12	729013-2-00	1	vite	screw			
13	200699-0-10	1	pomolo	knob			
14	700205-0-00	1	anello	ring			
15	200074-0-10	1	bussola	bush			
16	204937-0-10	1	molla	spring			
17	200821-0-10	1	scodellino	cap			
18	200698-0-10	1	perno	pin			
19	204926-0-10	1	leva	lever			
20	204914-0-10	1	corpo pieghettatore	folding body			
21	721434-2-00	4	vite	screw			
22	204924-2-10	1	leva	lever			
23	206909-0-00	1	leva	lever			
24	202100-0-10	1	spina	pin			
25	744533-0-00	2	vite	screw			
26	204935-0-10	1	piastrina	plate			
27	204938-0-10	1	molla	spring			
28	204936-0-10	1	puntale	pin			
29	746021-2-00	2	dado	nut			
30	704216-2-00	1	rondella	washer			
31	204927-0-10	1	sostegno	support			
32	741675-2-00	2	vite	screw			
33	204918-0-10	1	perno	pin			
34	704424-2-00	1	rondella	washer			
35	204934-0-10	1	vite a perno	screw			
36	721444-2-00	2	vite	screw			
37	204930-2-10	1	guida	guide			

501 101

Fig. N. Abb.	N. N.	Part. N. Bestell N. Piece N. Pieza N.	Qt. Anzahl	DESCRIZIONE	DESCRIPTION	BENENNUNG	DESCRIPTION	DESCRIPCION
★		202774-3-10	1	pedino completo	presserfoot assembly			
1		741413-0-00	1	vite	screw			
2		202192-0-10	1	piastrina	plate			
3		741665-0-00	1	vite	screw			
4		202201-0-10	1	staffa	bracket			
5		202195-0-10	1	linguetta	tongue			
6		741453-0-00	1	vite	screw			
7		202775-0-10	1	guida	guide			
8		202959-4-10	1	guida completa	guide assembly			
9		201236-0-10	2	vite	screw			
10		202957-2-10	1	guida	guide			
11		729013-2-00	1	vite	screw			
12		202958-4-10	1	sostegno completo	support assembly			
13		743464-2-00	1	vite	screw			
14		702406-0-00	1	molla a tazza	spring			
15		202967-0-10	1	supporto girevole	support			
16		744634-0-00	1	vite	screw			
17		300710-0-10	1	eccentrico	eccentric			
18		202970-0-10	1	sostegno	support			
19		746007-2-00	1	dado	nut			
20		202776-0-00	1	guida	guide			
		<u>Tav. 3</u>						
30		730411-0-20	1	targhetta classe testa	head class plate			
		<u>Tav. 4</u>						
★		206265-4-00	1	coperchio superiore completo	upper cover assembly			
24		206343-4-00	1	tensione completa	tension assembly			
27		202681-0-10	1	molla	spring			
32		206747-0-00	1	perno	pin			
		<u>Tav. 12</u>						
3		202092-0-10	1	crochet superiore cieco	upper blind looper			
5		202507-0-10	1	placca d'ago	needle plate			
		<u>Particolari a richiesta</u>			<u>Only on request</u>			
9		202142-0-10	1	coltello superiore	upper knife			
		202143-0-10	1	coltello super. dentato	upper knife			
		207008-2-00	1	coltello super.con placchetta	upper knife			
10		202146-0-10	1	coltello inferiore	lower knife			





Rimoldi

327-28-1CD-09
(327-00-1CD-01)

TAV. 41

Fig. N. Abb. N.	Part. N. Bestell N. Pieze N. Pieza N.	Qt. Anzahl	DESCRIZIONE	DESCRIPTION	BENENNUNG	DESCRIPTION	DESCRIPCION
★	202643-3-10	1	pedino completo	presserfoot assembly			
1	741665-0-00	1	vite	screw			
2	202201-0-10	1	staffa	bracket			
3	741431-0-00	1	vite	screw			
4	202661-0-10	1	linguetta	tongue			
5	202184-0-10	1	blocchetto	block			
6	200662-0-10	1	carterino coltello superiore	upper knife cover			
7	203187-0-10	1	vite	screw			
8	206771-0-00	1	squadretta fermo pedino	stop bracket			
	<u>Tav. 3</u>						
30	780200-0-20	1	targhetta classe testa	head class plate			
	<u>Tav. 12</u>						
3	204033-0-10	1	crochet superiore	upper looper			
4	202094-0-11	1	crochet inferiore	lower looper			
5	202636-0-10	1	placca d'ago	needle plate			
6	202609-0-10	1	griffino	feed dog			
7	202608-0-10	1	griffa sussidiaria	subsidiary feed dog			
8	202605-0-10	1	griffa principale	main feed dog			
			<u>Particolari a richiesta</u>	<u>Only on request</u>			
9	202142-0-10	1	coltello superiore	upper knife			
	202143-0-10	1	coltello super. dentato	upper knife			
	207008-2-00	1	coltello super.con placchetta	upper knife			
10	202146-0-10	1	coltello inferiore	lower knife			
	<u>Tav. 10</u>						
			<u>Pezzi annullati</u>	<u>Cancelled parts</u>			
15	203774-0-10	1	piastrina fermo salva ago	stop cover			
16	741445-0-00	1	vite	screw			
17	203775-0-10	1	squadretta fermo spingi asola	stop bracket			

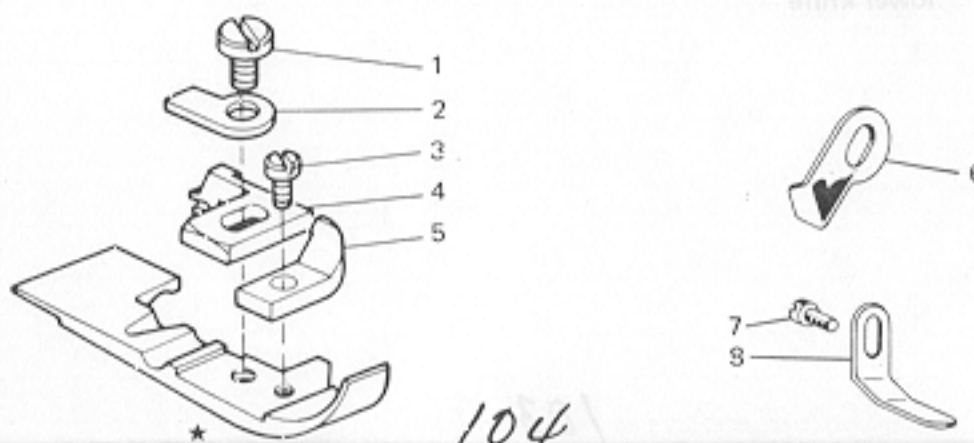
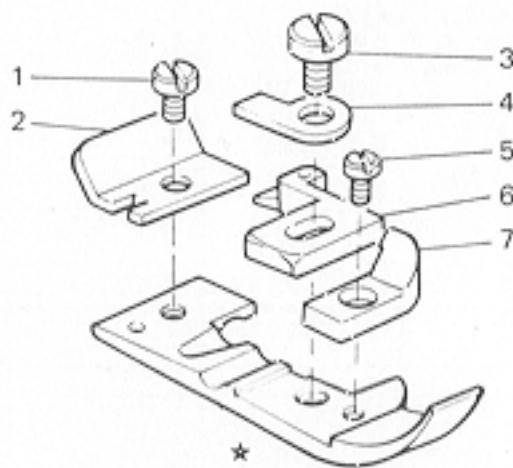


Fig. N. Abb. N.	Part. N. Bestell N. Piece N. Pieza N.	Qt. Anzahl	DESCRIZIONE	DESCRIPTION	BENENNUNG	DESCRIPTION	DESCRIPCION
★	202175-3-10	1	piedino completo	presserfoot assembly			
1	741413-0-00	1	vite	screw			
2	202192-0-10	1	piastrina	plate			
3	741665-0-00	1	vite	screw			
4	202201-0-10	1	staffa	bracket			
5	741431-0-00	1	vite	screw			
6	202196-0-10	1	linguetta	tongue			
7	202184-0-10	1	blocchetto	block			
	<u>Tav. 3</u>						
30	780200-0-20	1	targhetta classe testa	head class plate			
	<u>Tav. 12</u>						
9	207006-2-00	1	coltello superiore <u>Particolari a richiesta</u>	upper knife <u>Only on request</u>			
9	203066-0-10		colteilo superiore	upper knife			
10	202146-0-10		coltello inferiore	lower knife			



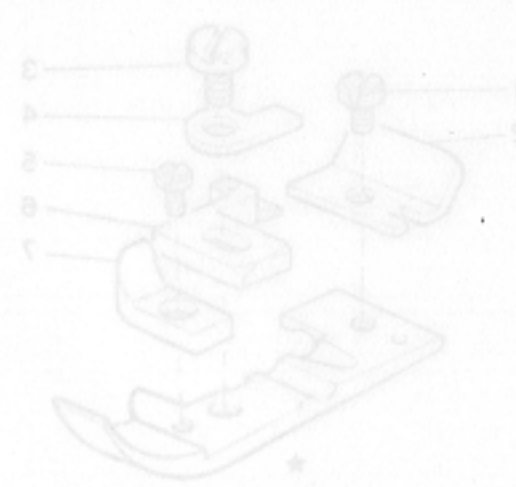
105

Rumoldi

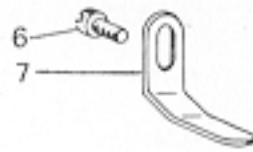
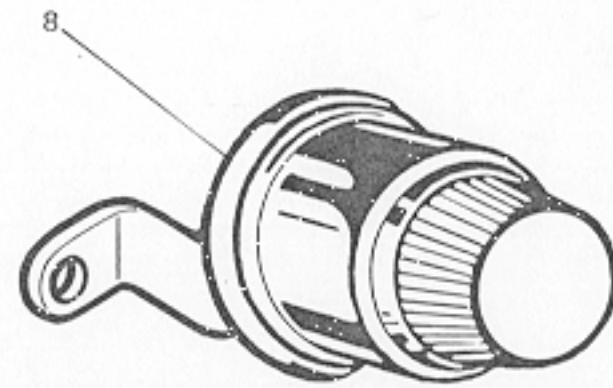
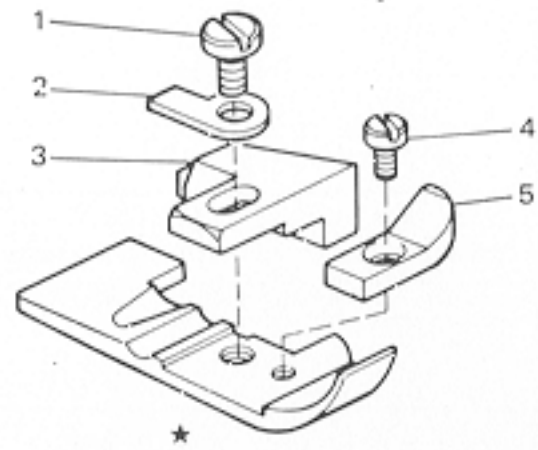
327-29-1CD-02
(327-00-1CD-01)

TAV. 43

Fig. N. Abb. N.	Part. N. Bestell N. Piece N. Pieza N.	Qt. Anzahl	DESCRIZIONE	DESCRIPTION	BENENNUNG	DESCRIPTION	DESCRIPCION
★	202176-3-10	1	piedino completo	presserfoot assembly			
1	741413-0-00	1	vite	screw			
2	202192-0-10	1	piastrina	plate			
3	741675-2-00	1	vite	screw			
4	202087-0-10	1	piastrina	plate			
5	202201-0-10	1	staffa	bracket			
6	202197-0-10	1	linguetta	tongue			
<u>Tav. 3</u>							
30	780200-2-00	1	targhetta classe testa	head class plate			
<u>Tav. 12</u>							
9	207006-2-00	1	coltello superiore	upper knife			
			<u>Particolari a richiesta</u>	<u>Only on request</u>			
9	203066-0-10		coltello superiore	upper knife			
10	202146-0-10		coltello inferiore	lower knife			



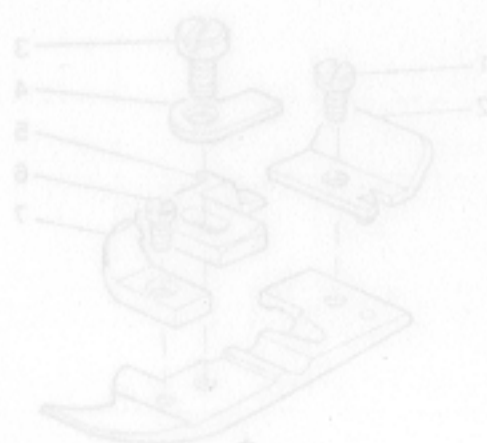
106



801

107

Fig. N.	Part. N. Bestell N. Piece N. Pieza N.	Qt. Anzahl	DESCRIZIONE	DESCRIPTION	BENENNUNG	DESCRIPTION	DESCRIPCION
★	202182-3-10	1	pedino completo	presserfoot assembly			
1	741665-0-00	1	vite	screw			
2	202201-0-10	1	staffa	bracket			
3	202200-0-10	1	linguetta	tongue			
4	741431-0-00	1	vite	screw			
5	203112-0-10	1	blocchetto	block			
6	203187-0-10	1	vite	screw			
7	206771-0-00	1	squadretta	bracket			
8	206346-4-00	1	tensione completa (per componenti vedere tav.4 fig. 23)	tension assembly (for the parts see table 4 fig. 23)			
9	206713-2-00	1	passafilo	thread guide			
	<u>Tav. 3</u>						
30	780200-0-20	1	targhetta classe testa	head class plate			
	<u>Tav. 4</u>						
★	206255-4-00	1	coperchio sup. completo	upper cover assembly			
1	206316-3-00	1	coperchio con passafili	cover with thread guide			
24	206343-4-00	2	tensione completa	tension assembly			
27	202681-0-10	2	molla	spring			
	<u>Tav. 10</u>						
			<u>Pezzi annullati</u>	<u>Cancelled parts</u>			
2	202130-0-10	1	perno	pin			
3	202127-0-10	1	placchetta	plate			
4	744533-0-00	1	vite	screw			
6	202131-0-10	1	nasello	snug			
7	200663-0-10	1	carterino	cover			
8	202496-0-10	1	vite	screw			
13	704409-0-00	1	rondella	washer			
14	742457-2-00	1	vite	screw			
21	202134-0-10	1	perno	pin			
	<u>Tav. 12</u>						
5	202150-0-10	1	placca d'ago	needle plate			
8	202767-4-10	1	guida completa	guide assembly			
			<u>Pezzi annullati</u>	<u>Cancelled parts</u>			
9	207000-2-00	1	coltello superiore	upper knife			
10	207015-2-00	1	coltello inferiore	lower knife			



111

109

Fig. N. Abb. N.	Part. N. Bestell N. Pieze N. Pieza N.	Qt. Anzahl	DESCRIZIONE	DESCRIPTION	BENENNUNG	DESCRIPTION	DESCRIPCION
★	202175-3-10	1	piedino completo	presserfoot assembly			
1	741413-0-00	1	vite	screw			
2	202192-0-10	1	piastrina	plate			
3	741665-0-00	1	vite	screw			
4	202201-0-10	1	staffa	bracket			
5	741431-0-00	1	vite	screw			
6	202196-0-10	1	linguetta	tongue			
7	202184-0-10	1	blocchetto	block			
			<u>Tav. 3</u>				
30	780200-0-20	1	targhetta classe testa	head class plate			
			<u>Tav. 12</u>				
3	204033-0-10	1	crochet superiore	upper looper			
4	202094-0-11	1	crochet inferiore	lower looper			
5	203214-0-10	1	placca ago	needle plate			
8	203199-0-10	1	griffa principale	main feed dog			
9	207006-2-00	1	coltello superiore	upper knife			
			<u>Particolari a richiesta</u>				
			<u>Only on request</u>				
9	203066-0-10	1	coltello superiore	upper knife			
10	202146-0-10	1	coltello inferiore	lower knife			

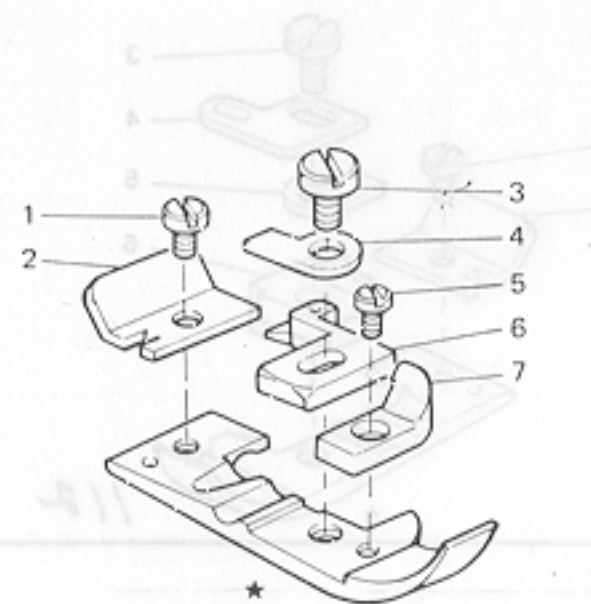


Fig. N. Abb. N.	Part. N. Bestell N. Piece N. Pieza N.	Qt. Anzahl	DESCRIZIONE	DESCRIPTION	BENENNUNG	DESCRIPTION	DESCRIPCION
★	202176-3-10	1	piedino completo	presserfoot assembly			
1	741413-0-00	1	vite	screw			
2	202192-0-10	1	piastrina	plate			
3	741675-2-00	1	vite	screw			
4	202087-0-10	1	piastrina	plate			
5	202201-0-10	1	staffa	bracket			
6	202197-0-10	1	linguetta	tongue			
			<u>Tav. 3</u>				
30	780200-0-20	1	targhetta classe testa	head class plate			
			<u>Tav. 12</u>				
3	204033-0-10	1	crochet superiore	upper looper			
4	202094-0-11	1	crochet inferiore	lower looper			
5	203214-0-10	1	placca d'ago	needle plate			
8	203199-0-10	1	griffa principale	main feed dog			
9	207006-2-00	1	coltello superiore	upper knife			
			<u>Particolari a richiesta</u>	<u>Only on request</u>			
9	203066-0-10	1	coltello superiore	upper knife			
10	202146-0-10	1	coltello inferiore	lower knife			
			<u>Tav. 10</u>				
			Pezzi annullati	Cancelled parts			
15	203774-0-10	1	piastrina fermo salva ago	stop plate			
16	741445-0-00	1	vite	screw			
17	203775-0-10	1	squadretta fermo spingi asola	stop bracket			

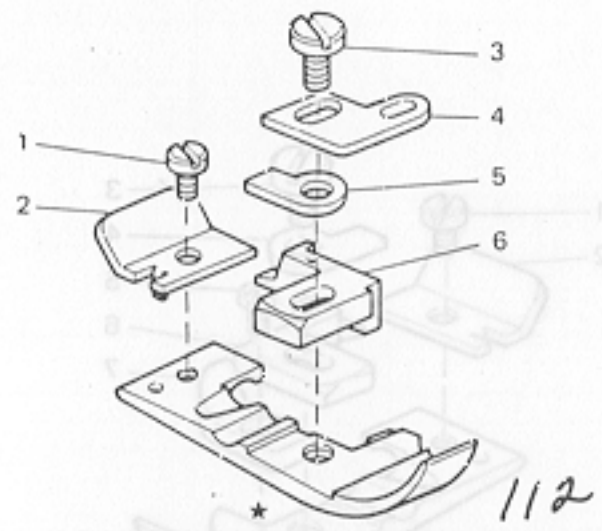


Fig. N. Abb. N.	Part. N. Bestell N. Piece N. Pieza N.	Qt. Anzahl	DESCRIZIONE	DESCRIPTION	BENENNUNG	DESCRIPTION	DESCRIPCION
★	203800-3-10	1	pedino completo	presserfoot assembly			
1	741413-0-00	1	vite	screw			
2	202795-0-10	1	piastrina	plate			
3	741665-0-00	1	vite	screw			
4	202201-0-10	1	staffa	bracket			
5	203801-2-10	1	piastrina	plate			
6	203804-0-10	1	linguetta	tongue			
<u>Tav. 3</u>							
—	206358-4-00	1	sportello anteriore completo	front cover assembly			
16	206933-2-00	1	sportello scorrevole	sliding cover			
30	780200-0-20	1	targhetta classe testa	head class plate			
<u>Tav. 10</u>							
3	203065-0-10	1	placchetta porta coltello sup.	upper knife plate			
4	744553-0-00	1	vite	screw			
8	203087-0-10	1	vite	screw			
<u>Tav. 12</u>							
3	204033-0-10	1	crochet superiore	upper looper			
4	202094-0-11	1	crochet inferiore	lower looper			
5	203072-0-10	1	placca ago	needle plate			
7	203062-0-10	1	griffa sussidiaria	subsidiary feed dog			
8	203060-0-10	1	griffa principale	main feed dog			
9	207006-2-00	1	coltello superiore	upper knife			
10	207017-2-00	1	coltello inferiore	lower knife			
<u>Particolari a richiesta</u> <u>Only on request</u>							
9	203066-0-10	1	coltello superiore	upper knife			
10	203069-0-10	1	coltello inferiore	lower knife			
<u>Tav. 10</u>							
Pezzi annullati Cancelled parts							
15	203774-0-10	1	piastrina fermo salva ago	stop plate			
16	741445-0-00	1	vite	screw			
17	203775-0-10	1	squadretta fermo spingi asola	stop bracket			

