

PFAFF

Spare Parts Catalogue

PFAFF 3335

G. M. PFAFF AG KAISERSLAUTERN BRANCH

Preface

This parts catalogue contains the front parts, arm parts, cylinder bed parts, machine base parts and accessory parts of the Pfaff 3335-0-1 as well as the organizational parts of Pfaff machines 3335-0-5, 3335-0-317/1 and 3335-300. Also included are two tables of organizational parts for Pfaff machines 3335-0-317/1 through /32 and 3335-300 through -309 as well as a list of obsolete parts.

Parts which differ according to the model (A, B or C), such as take-up lever and needle bar, are compiled in a table on page 4.

Wherever feasible, the individual parts which make up an assembly have been grouped on the illustration pages as they are arranged in the machine.

All underlined part numbers signify assemblies which are made up of several component parts.

An asterisk preceding the part number indicates that this part is available in an obsolete version also. Whenever this part needs replacement in an older machine, the obsolete version must be reordered.

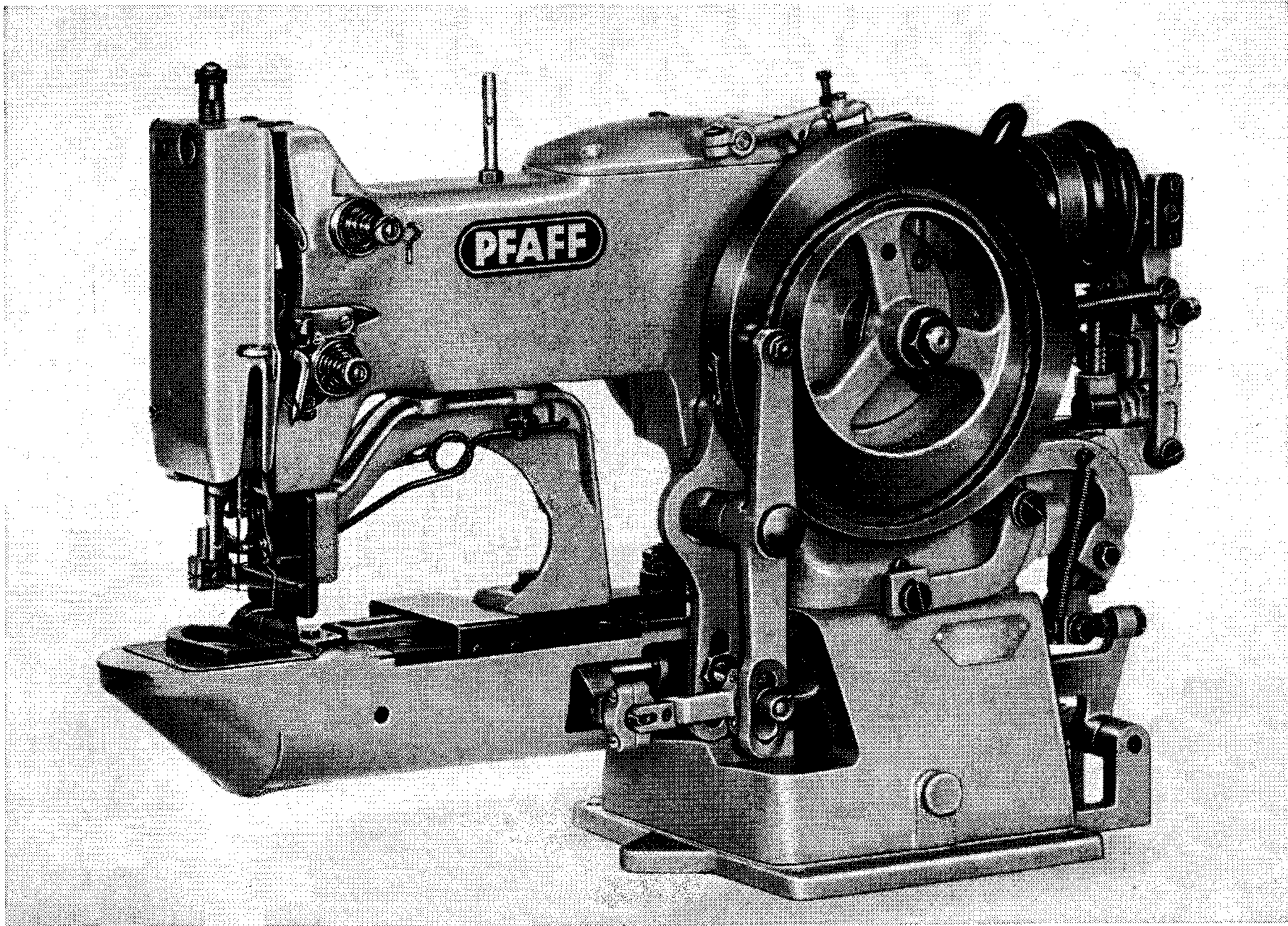
A numerical index of all parts listed is included on the last pages of this catalogue.

Part number changes will be published on correction sheets and disseminated with our circulars.

Subject to alterations in design.

August 1964

G. M. PFAFF AG
Kaiserslautern Branch



Automatic Bartackers

PFAFF 3335-0-1

Automatic lockstitch bartacker fitted with link take-up, central bobbin shuttle, tack length and width adjustment, positive thread nipper, needle and bobbin thread trimmer, work clamp lifter locking device, and automatic stop motion.

PFAFF 3335-0-5

Same as Pfaff 3335-0-1, but fitted with special work clamp.

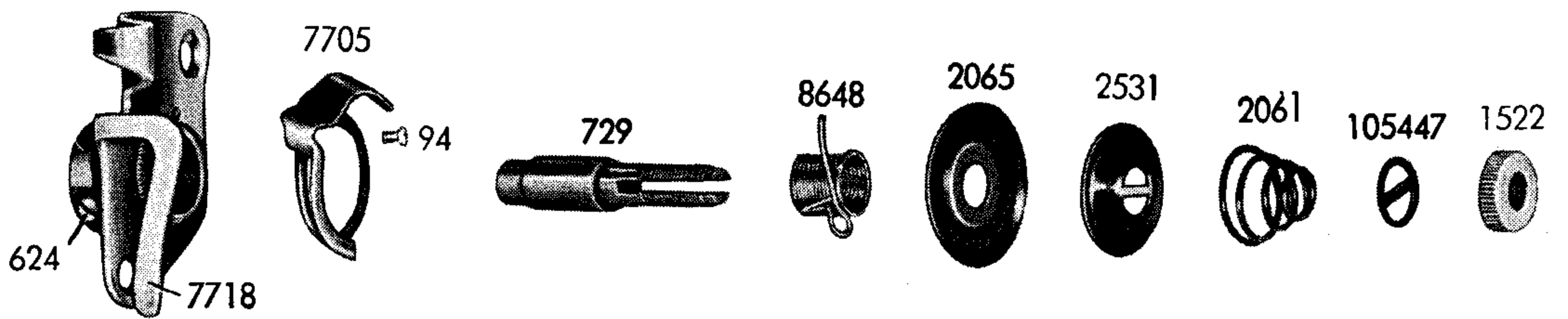
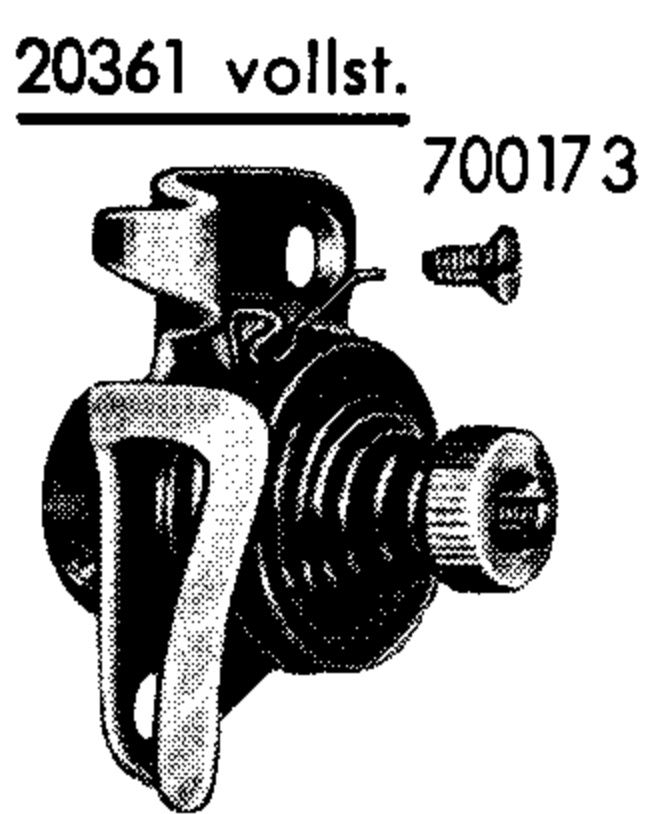
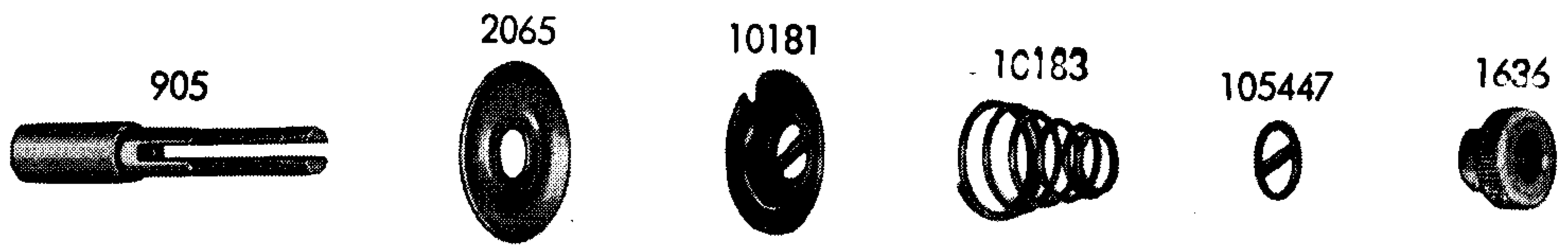
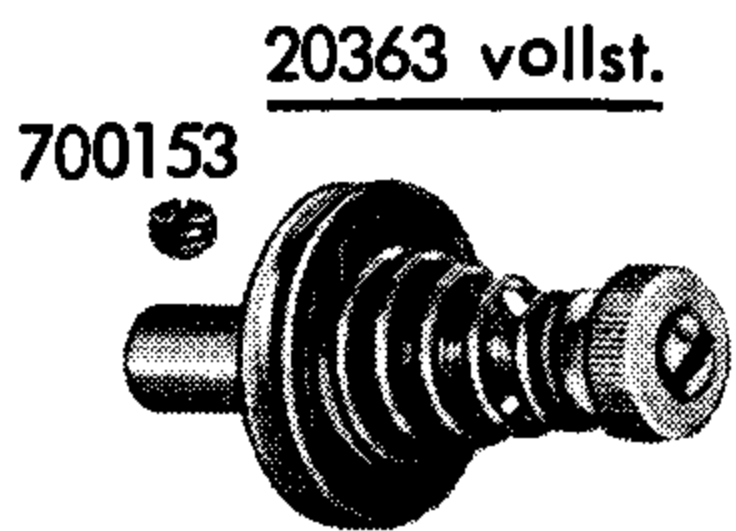
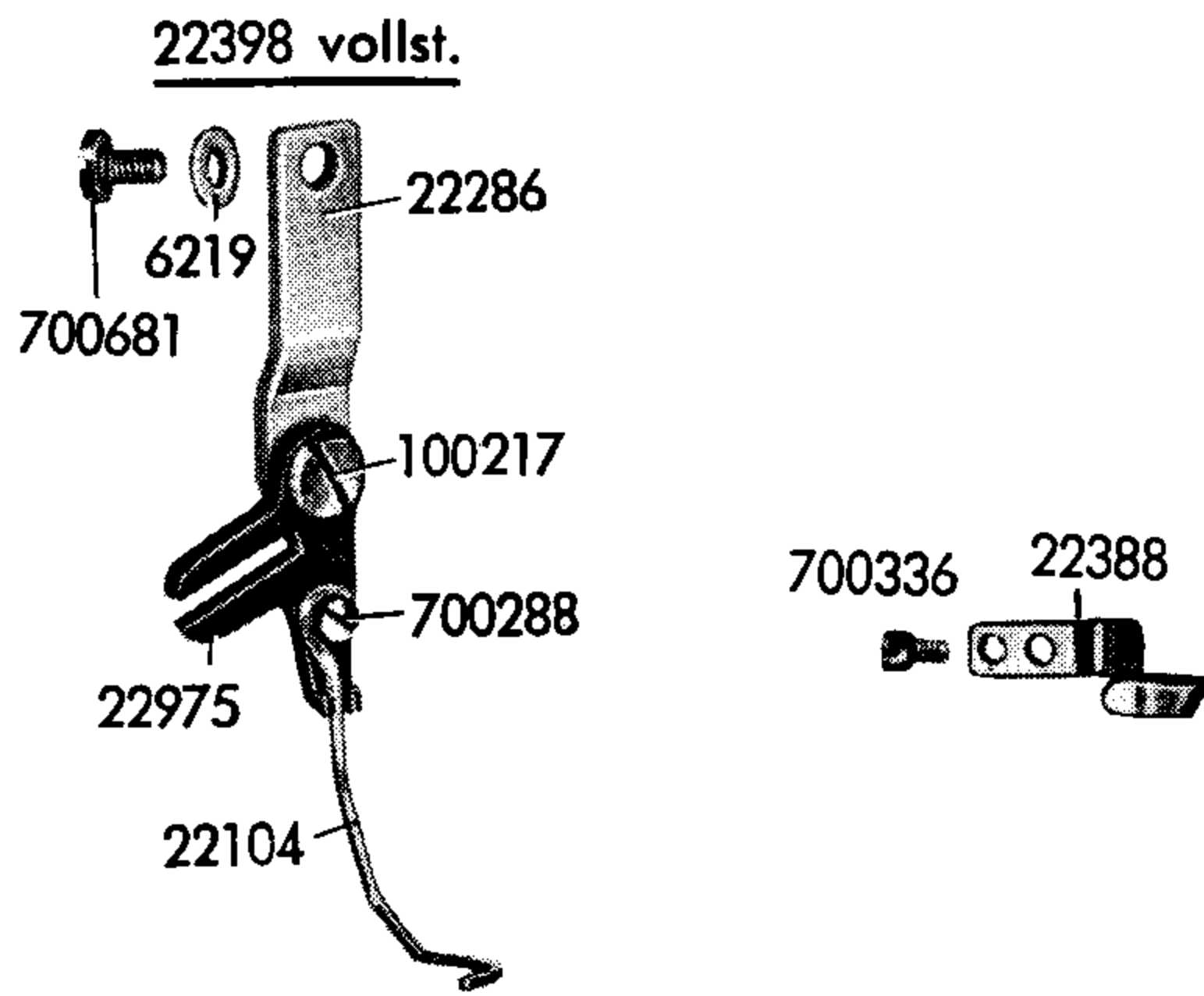
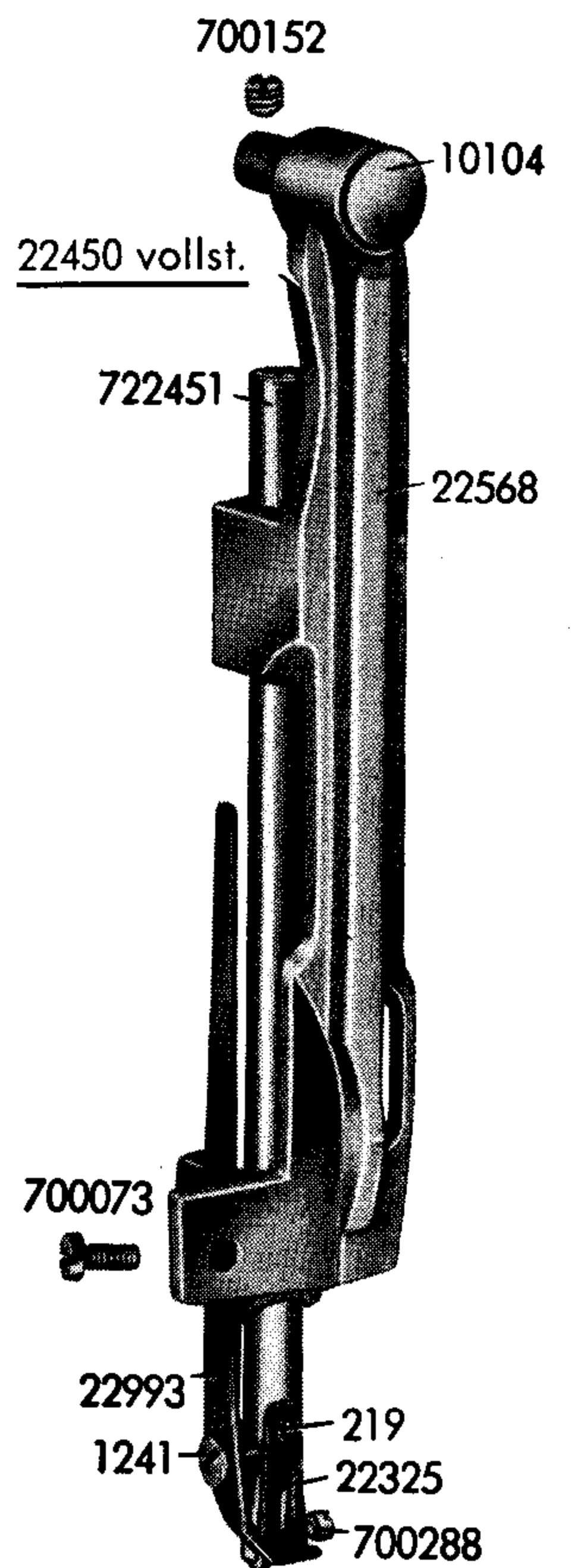
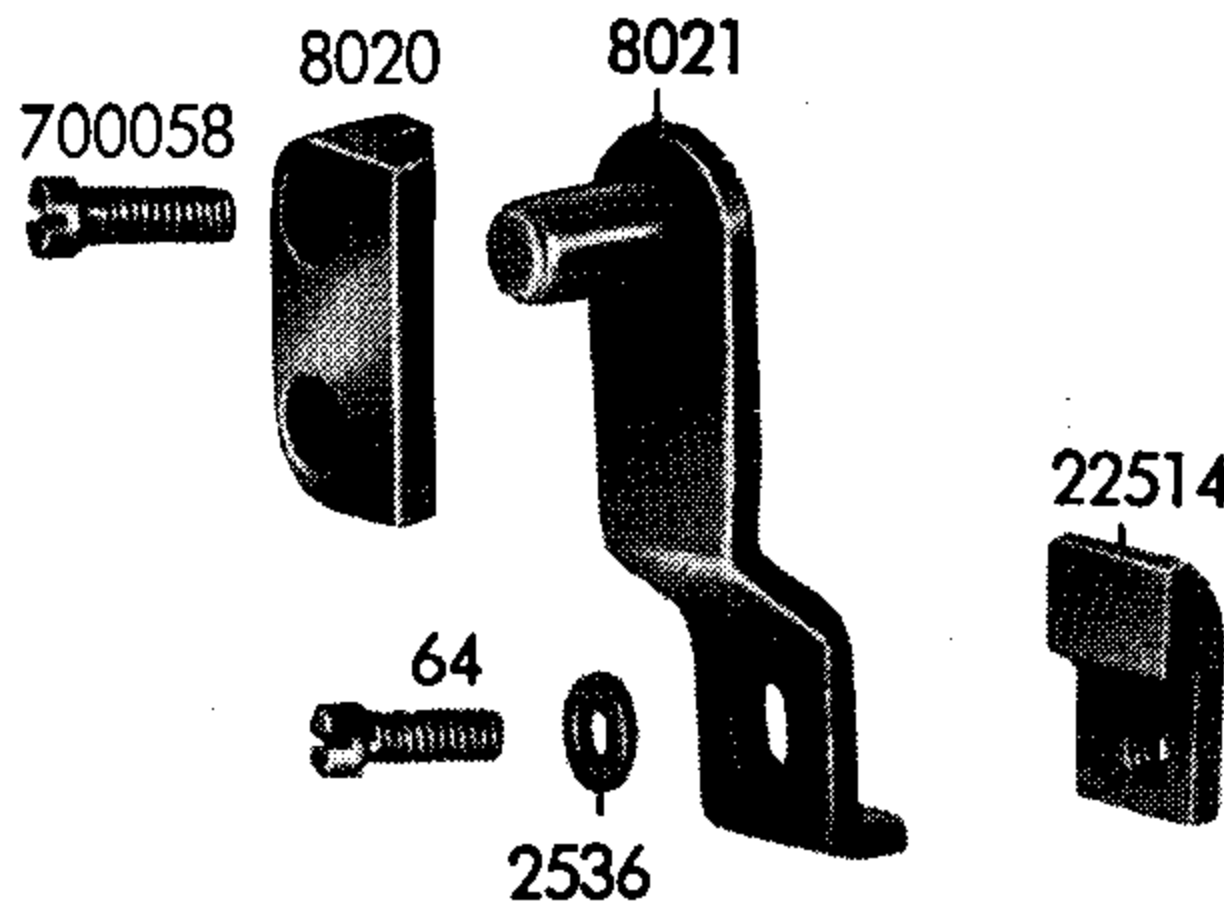
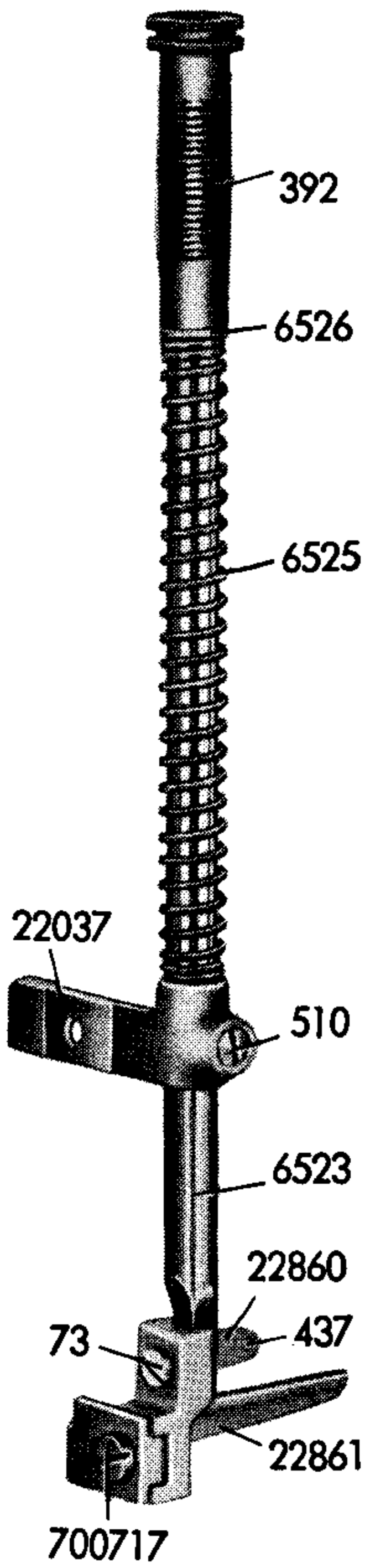
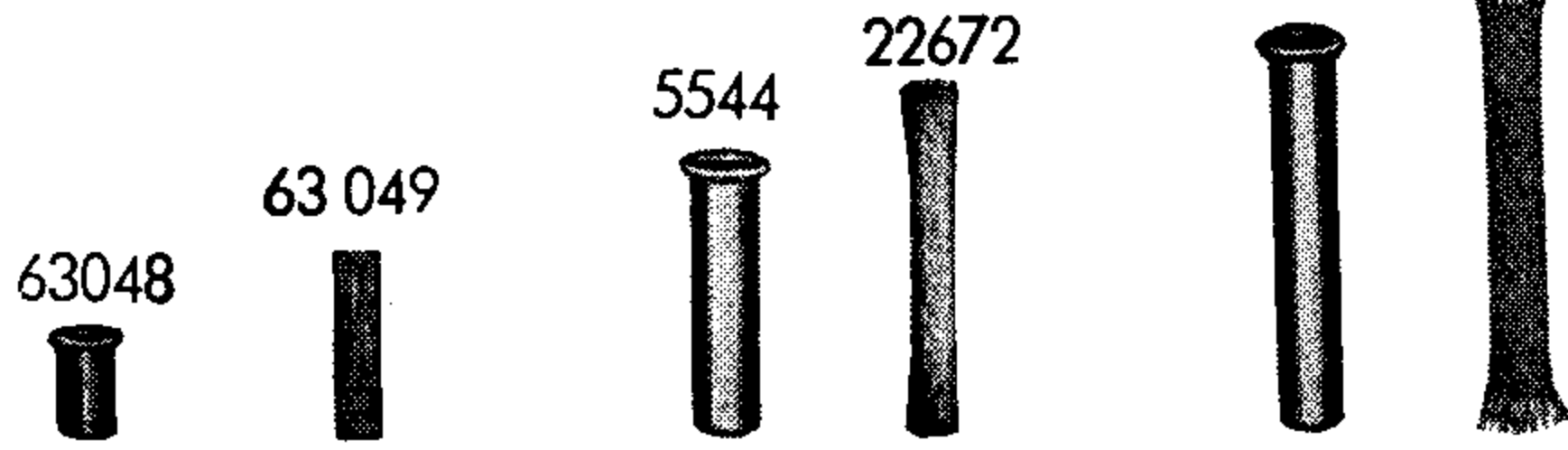
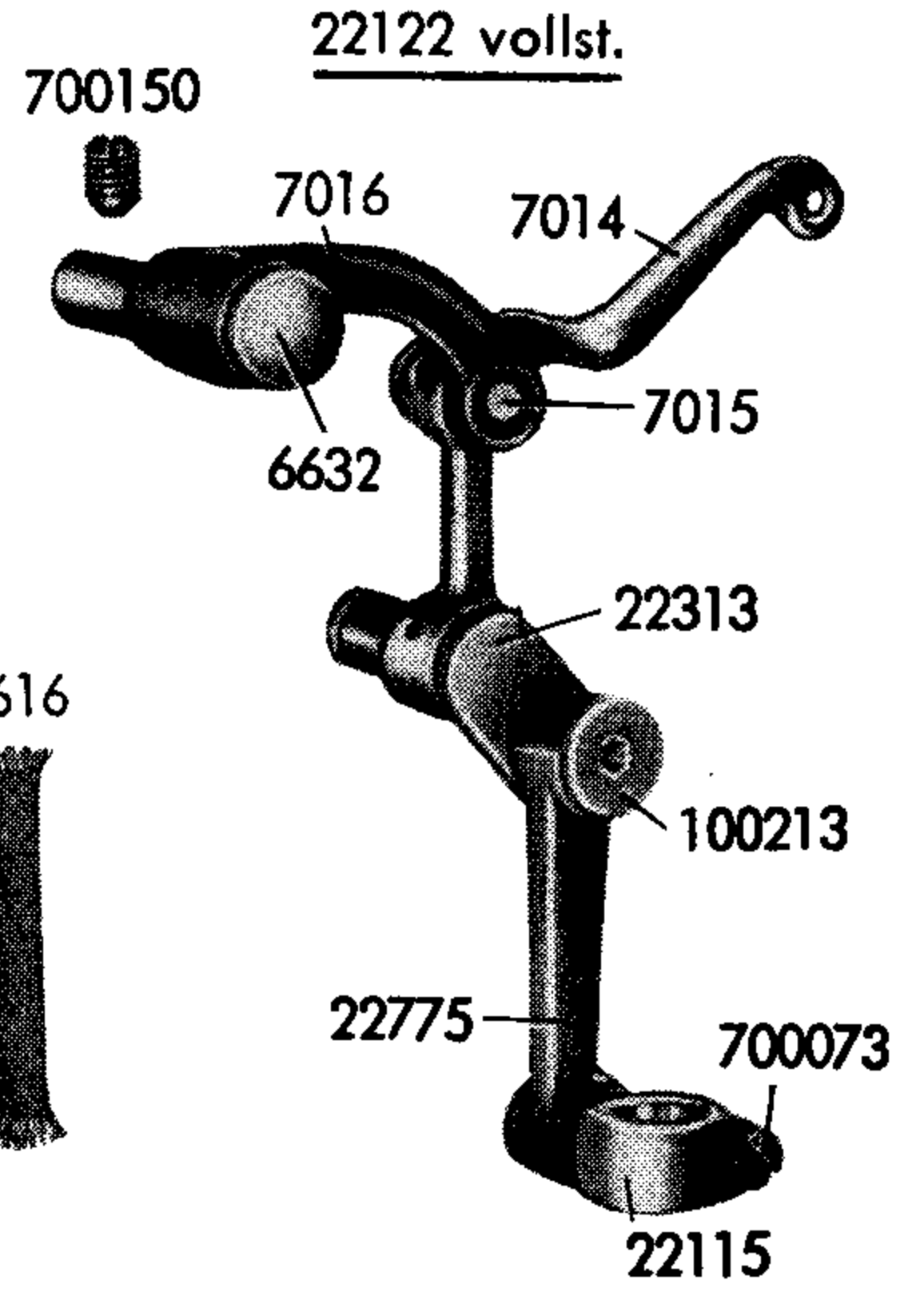
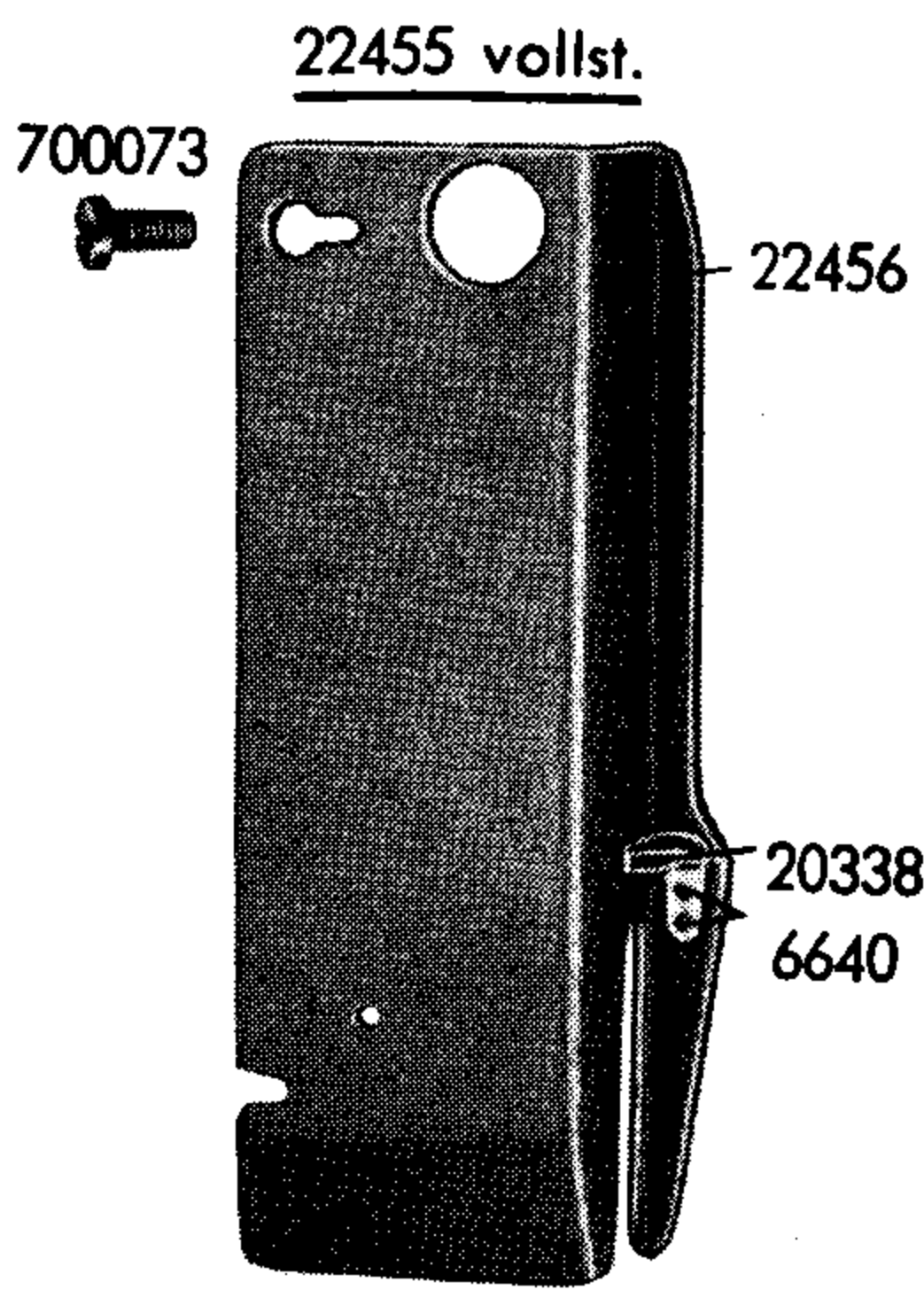
PFAFF 3335-0-317

Same as Pfaff 3335-0-1, but fitted with special work clamp and larger needle plate.

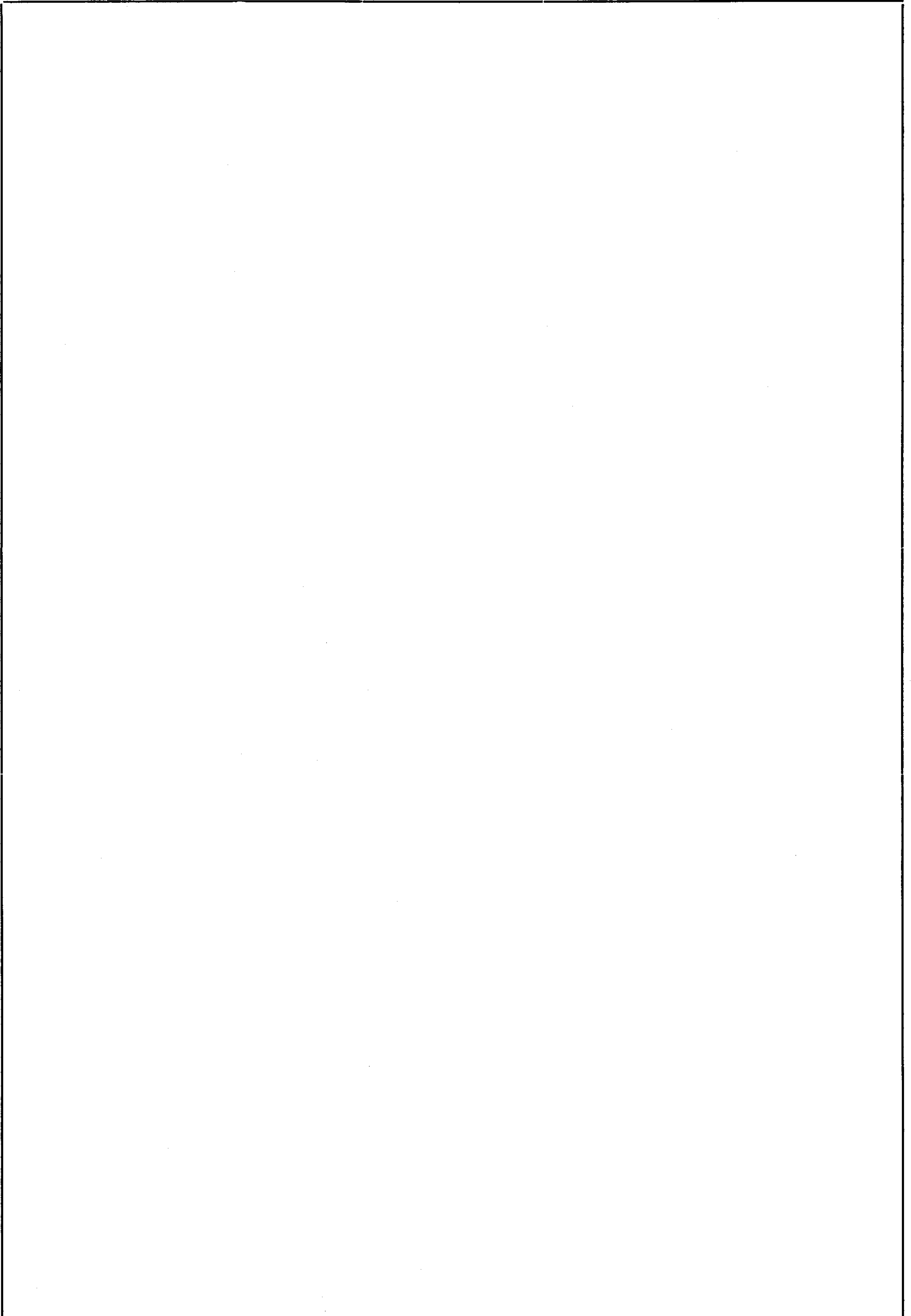
Component Parts of Pfaff Machines 3335 and 3335-0 in Models A, B and C

Part Name	Model		
	A	B	C
Needle bar crank	22312	22312	22539
Take-up lever, complete	22122	22122	22542
Take-up lever link	7016	7016	22776
Take-up crank	22313	22313	22541
Needle bar frame, complete	22450	22450	22569
Needle bar	722451	722451	722567
Needle plate, complete	24557 ----- 48666 (for -317)	124347	124348
Needle plate	24515 ----- 48668 (for -317)	24515	24515
Needle plate insert	22111	65543	65546

Front Parts

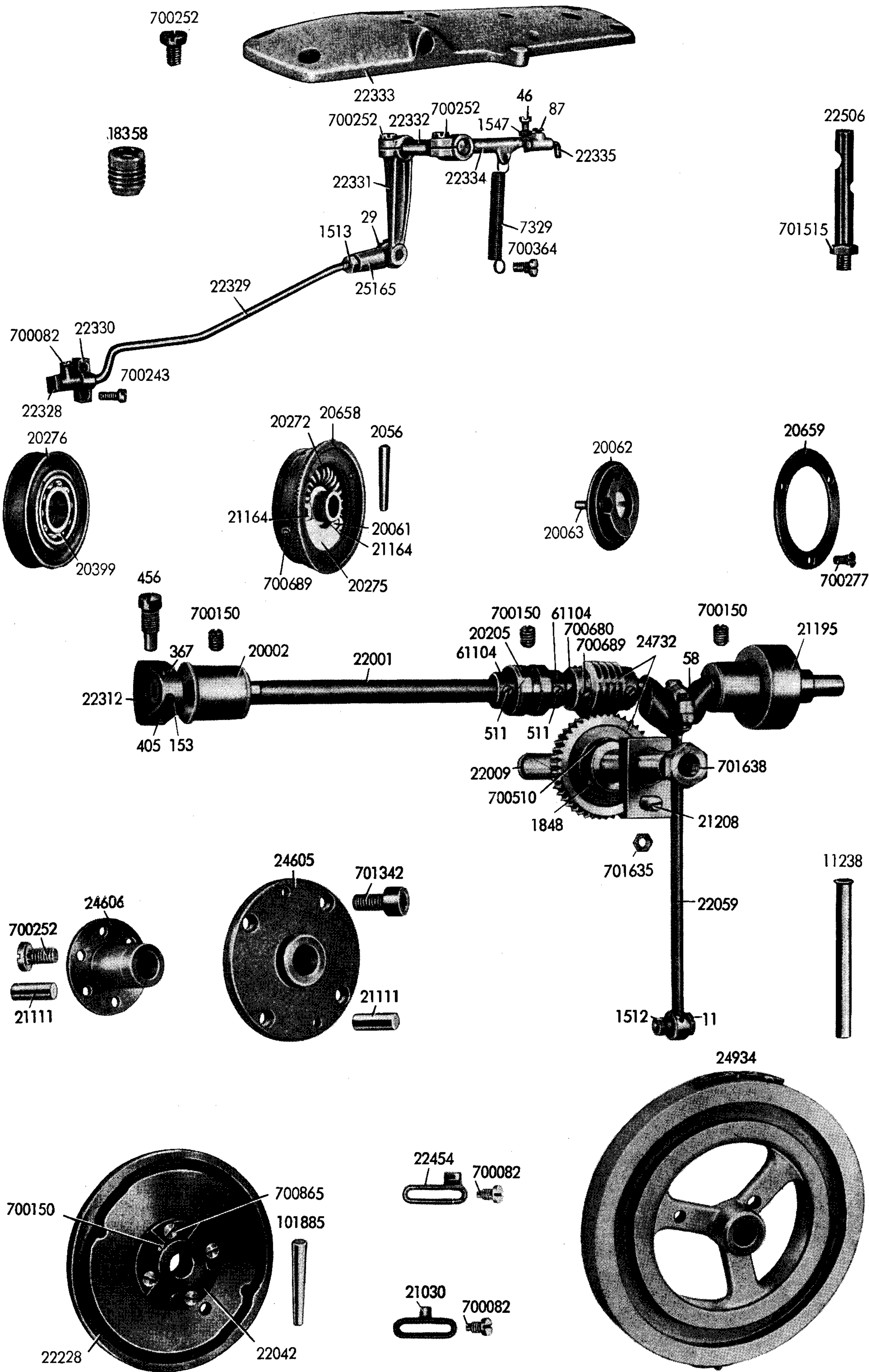


- 700058** Fastening screw for No. 8020
64 Fastening screw for Nos. 8021; 22514
73 Fastening screw for No. 22860
700073 Fastening screw for Nos. 22455; 22568 and binding screw for No. 22115
94 Fastening screw for No. 7705
700150 Fastening screw for No. 6632
700152 Fastening screw for No. 10104
700153 Fastening screw for No. 20363
700173 Fastening screw for No. 20361
219 Fastening screw for No. 22325
700288 Fastening screw for No. 22104 and needle set screw
700336 Fastening screw for No. 22388
392 Regulating screw for No. 6525
437 Driving screw for No. 22860
510 Fastening screw for No. 22037
624 Fastening screw for No. 729
700681 Fastening screw for No. 22286
700717 Fastening screw for No. 22861
729 Tension stud for No. 20361
905 Tension stud for No. 20363
1241 Hinge screw for No. 22993
1522 Nut for No. 729
1636 Nut for No. 905
2061 Tension spring for No. 20361
2065 Tension disc for Nos. 20361; 20363
2531 Tension release washer for No. 20361
2536 Washer for No. 64
3005 Tension release pin for No. 20361
5544 Oil tube, 1" long, for No. 7016
6219 Washer for No. 700681
6523 Presser bar
6525 Presser bar spring
6526 Washer for No. 392
6611 Thread guide
6616 Oil wick for No. 8618
6632 Hinge stud for No. 7016
6640 Rivet for No. 20338
7014 Take-up lever
7015 Hinge pin for Nos. 7014; 7016
7016 Take-up lever link (Models A & B)
7705 Thread check spring stop for No. 20361
7718 Tension bracket, with fastening screw No. 624, for No. 729
8020 Lifting bracket guide for No. 22037
8021 Lifting bracket guide for No. 22037
8618 Oil tube, 1½" long, for No. 22775
8648 Thread check spring
10104 Hinge stud for No. 22568
10181 Tension release washer for No. 20363
10183 Tension spring for No. 20363
20338 Thread guide for No. 22455
20361 Thread tension, lower, complete, consisting of Nos. 94; 729; 1522; 2061; 2065; 2531; 7705; 7718; 8648; 105447
20363 Thread tension, upper, complete, consisting of Nos. 905; 1636; 2065; 10181; 10183; 105447
22037 Presser bar lifting bracket
22104 Thread wiper wire for No. 22398
22115 Needle bar connecting stud
22122 Take-up lever (Models A & B) complete, consisting of Nos. 700073; 6632; 7014; 7015; 7016; 22115; 22313; 22775; 100213
22128 Tension release plunger for No. 20361
22286 Thread wiper wire bracket for No. 22398
22313 Take-up crank (Models A & B)
22325 Thread nipper spring for No. 722451
22388 Thread guide
22398 Thread wiper, complete, consisting of Nos. 700288; 22104; 22286; 22975; 100217
22450 Needle bar frame (Models A & B), complete consisting of Nos. 219; 700288; 10104; 22325; 722451; 22568
722451 Needle bar (Models A & B)
22455 Face plate, complete, consisting of Nos. 6640; 20338; 22456
22456 Face plate
22514 Tension release bracket for No. 22037
22568 Needle bar frame
22672 Oil Wick for No. 5544
22775 Needle bar connecting link
22860 Thread wiper lever for No. 22975
22861 Clamp foot lifting lever
22975 Thread wiper wire holder for No. 22398
22993 Thread nipper lever for No. 22325
63048 Oil tube, 1³/₃₂" long, for No. 7014
63049 Oil wick for No. 63048
★ **100213** End screw for No. 22313
★ **100217** Hinge screw for No. 22975
105447 Washer for Nos. 1522; 1636

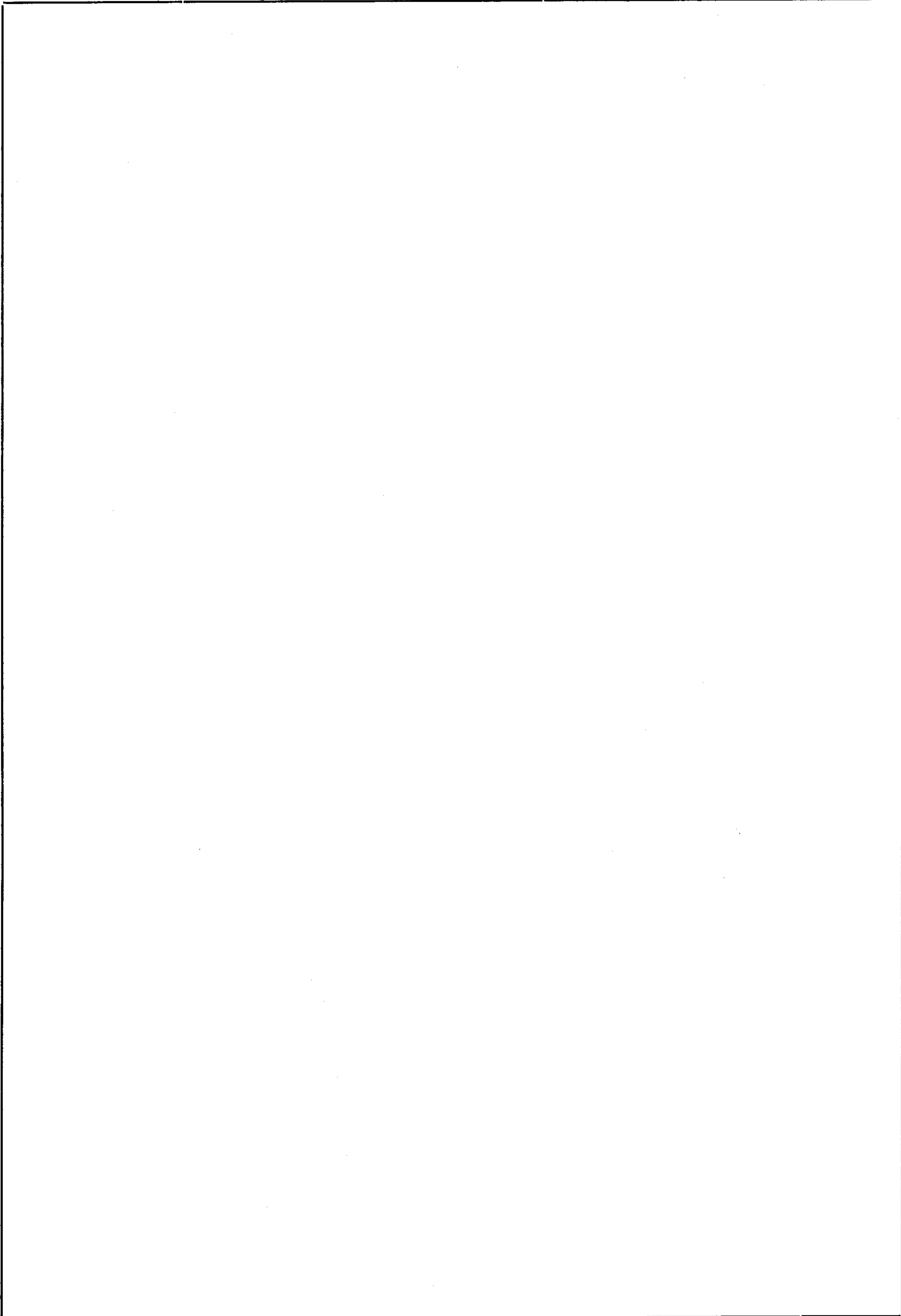




Arm Parts

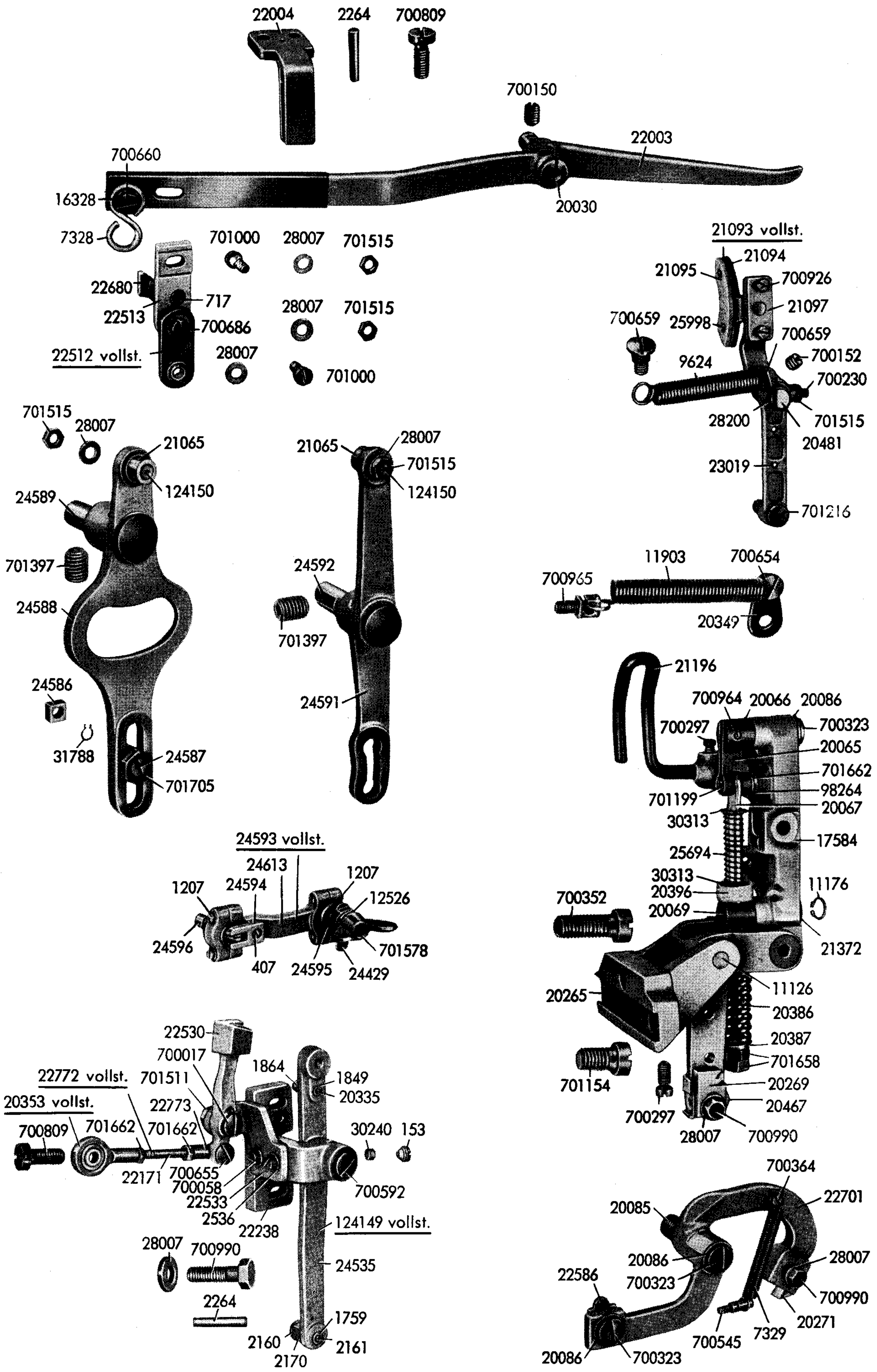


- | | |
|--|---|
| 11 Hinge screw for No. 22059 | 20272 Stop cam spring for No. 20658 |
| 29 Hinge screw for No. 25165 | 20275 Novotex segment for No. 20658 |
| 46 Set screw for No. 22334 | 20276 Idler pulley |
| 58 Fastening screw for cap of No. 22059 | 20399 Ball bearing for No. 20276 |
| 700082 Fastening screw for Nos. 21030; 22328; 22454 | ★ 20658 Driving pulley w/
No. 700689 Fastening screw for No. 20658
No. 20061 Position pin for No. 21164 |
| 87 Fastening screw for No. 22335 | ★ 20659 Cap ring for No. 20658 |
| 700150 Fastening screw for Nos. 20002; 20205;
21195; 22042 | 21030 Stop tripping segment for No. 24934 |
| 153 Fastening screw for No. 22313 (see page 1) | 21111 Positioning pin for Nos. 24605; 24606 |
| 700243 Fastening screw for No. 22330 | 21164 Check block for No. 20272 |
| 700252 Fastening screw for Nos. 22333; 24606
and binding screw for Nos. 22331; 22334 | 21195 Arm shaft bushing, rear, w/oil wick No. 10198 |
| 700277 Fastening screw for No. 20659 | 21208 Feed cam position stud for No. 22009 |
| 700364 Spring suspension screw for No. 7329 | 22001 Arm shaft |
| 367 Fastening screw for No. 22313 (see page 1) | 22009 Worm wheel shaft |
| 405 Fastening screw for No. 22312 | 22042 Knife cam positioning flange for No. 22228 |
| 456 Fastening screw for No. 22312 | 22059 Shuttle drive connecting rod
w/fastening screw No. 58 |
| 700510 Fastening screw for
worm wheel of No. 24732 | 22228 Knife cam |
| 511 Fastening screw for No. 61104 | 22312 Needle bar crank (Models A & B) |
| 700680 Fastening screw, pointed,
for worm of No. 24732 | 22328 Thread nipper rod extension for No. 22329 |
| 700689 Fastening screw, blunt,
for No. 20658 and worm of No. 24732 | 22329 Thread nipper rod |
| 700865 Fastening screw for No. 22228 | 22330 Bearing bracket for No. 22329 |
| 701342 Fastening screw for No. 24605 | 22331 Thread nipper crank |
| 1512 Nut for No. 11 | 22332 Thread nipper hinge stud |
| 1513 Nut for No. 22329 | 22333 Top cover |
| 701515 Nut for No. 22506 | 22334 Thread nipper tripping lever |
| 1547 Nut for No. 46 | 22335 Finger for No. 22334 |
| 701635 Nut for No. 21208 | 22454 Thread nipper tripping segment for No. 24934 |
| 701638 Nut for No. 22009 | 22506 Thread guide |
| 1848 Positioning pin
for worm wheel of No. 24732 | 24605 Worm wheel shaft bearing bracket, front |
| 2056 Positioning pin for No. 20658 | 24606 Worm wheel shaft bearing bracket, rear |
| 7329 Tension spring for No. 22334 | 24732 Worm gear assembly, w/
No. 700510 Fastening screw
for worm wheel
No. 700680 Fastening screw, pointed,
for worm
No. 700689 Fastening screw, blunt,
for worm |
| 11238 Oil tube, 2 ⁹ / ₁₆ " long, for No. 24606 | 24934 Feed cam, w/
No. 700082 Fastening screw for Nos. 21030;
22454
No. 21030 Stop tripping segment
No. 22454 Thread nipper tripping segment |
| 18358 Oil cup for No. 20002 | 25165 Thread nipper rod joint for Nos. 22329;
22331 |
| 20002 Arm shaft bushing, front, w/ oil pad No. 12199
(outside dia. 1 ⁹ / ₆₄ " or 1 ³ / ₁₆ " = 29 or 30 mm) | 61104 Set collar for No. 22001 |
| 20061 Position pin for No. 20658 | ★ 101885 Positioning pin for No. 22042 |
| 20062 Stop cam for No. 20658, w/ position pin
No. 20063 for No. 21164 | 24577 Arm (not. ill.) |
| 20063 Position pin for No. 20062 | |
| 20205 Arm shaft bushing, center (outside dia. 1 ¹ / ₈ "
or 1 ⁹ / ₆₄ " = 28.5 or 29 mm) | |

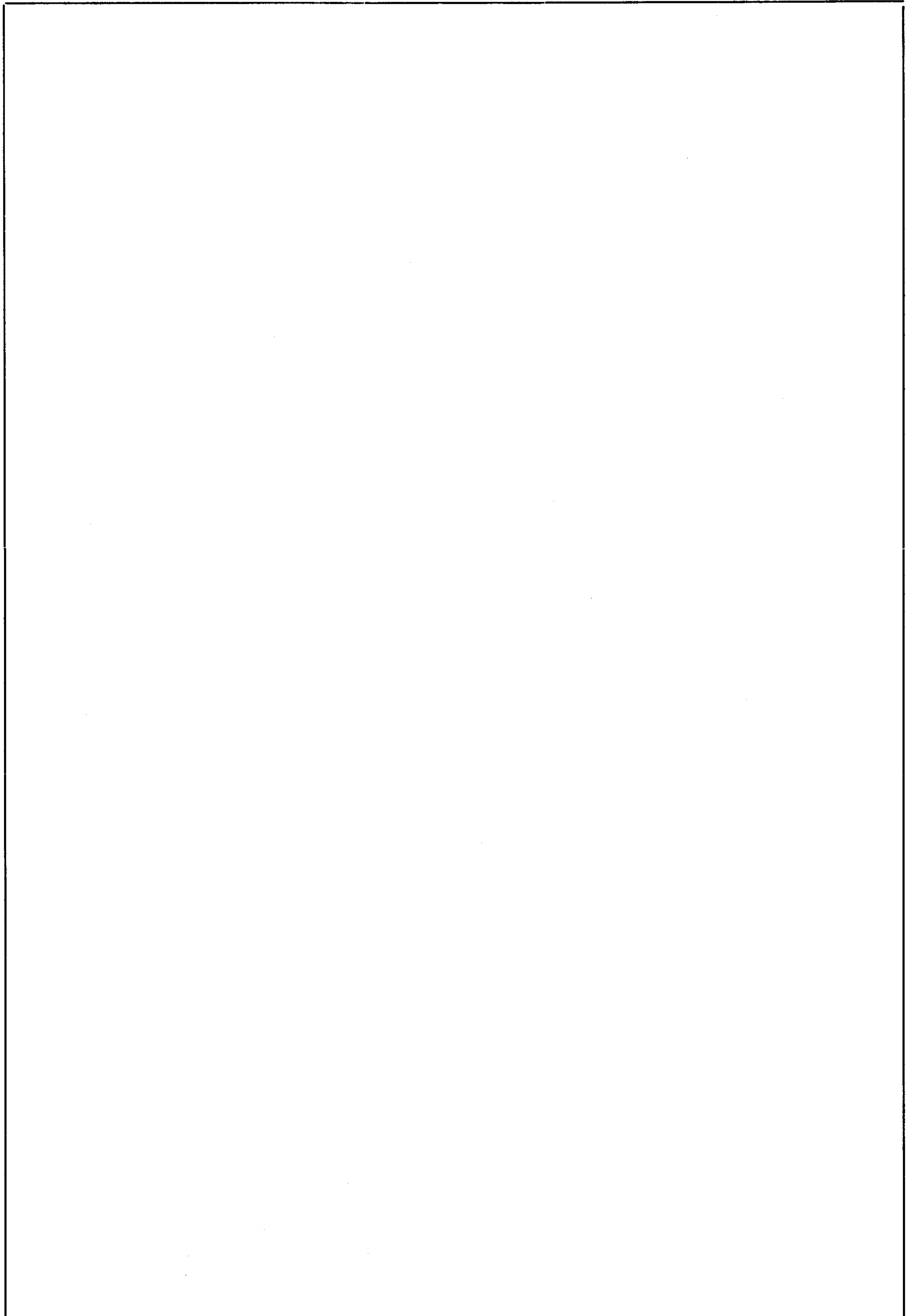




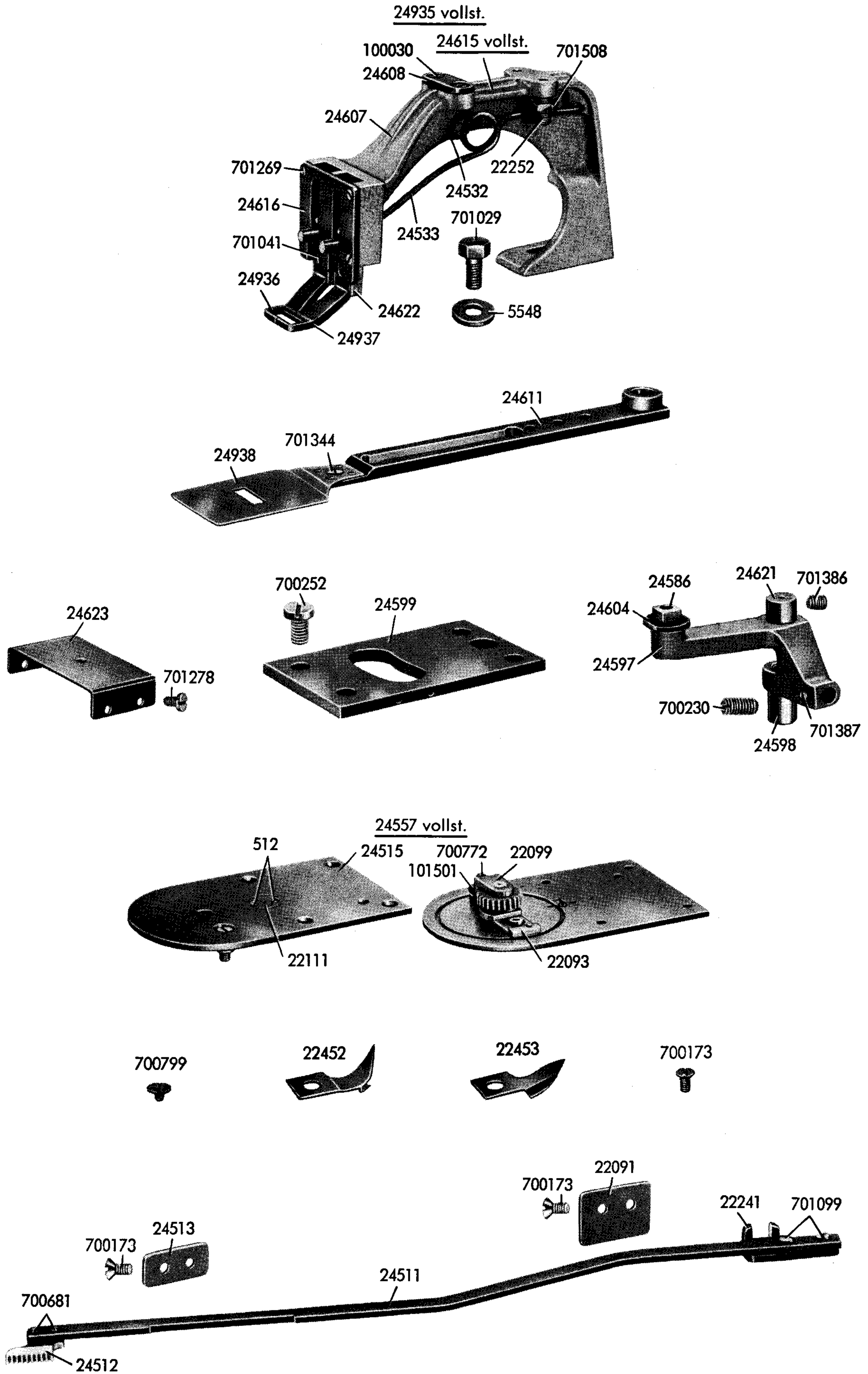
Arm Parts



700017	Hinge screw for No. 22530	20353	Ball joint for No. 22772, complete, consisting of No. 20345 Ball joint end bearing No. 20346 Ball joint
700058	Fastening screw for No. 22533	20386	Pressure spring for No. 20067
700150	Fastening screw for No. 20030	20387	Spring collar for No. 20386
700152	Fastening screw for No. 20481	20396	Oil felt washer for No. 20067
153	Fastening screw for No. 700592	20467	Stop pin for No. 17584
700230	Set screw for No. 23019	20481	Stop pin for No. 23019
700297	Fastening screw for Nos. 11126; 21196	21065	Roller for Nos. 24588; 24591 (Orders should specify the number of dots on the face side: 1 x = 12.70 mm, or .4999" dia.; 2 x = 12.72 mm, or .5007" dia.; 3 x = 12.74 mm, or .5015" dia.; 4 x = 12.76 mm, or .5023" dia.)
700323	End screw for Nos. 20066; 20085; and fastening screw for No. 22586	21093	Brake block, complete, consisting of Nos. 21094; 21095; 25998
700352	Fastening screw for No. 20265	21094	Brake block for No. 21093
700364	Spring suspension screw for No. 7329	21095	Brake lining for No. 21093
407	Fastening screw for No. 24594	21097	Brake regulating bracket for No. 21093
700545	Spring suspension screw for No. 7329	21196	Belt shifter
700592	Hinge screw for No. 24535	21372	Washer for No. 11176
700654	Spring suspension screw for No. 20349	22003	Lifting lever
700655	Hinge screw for No. 22773	22004	Lifting lever guide
700659	Spring suspension screw for No. 9624	22171	Connecting rod for No. 22772
700660	Hook suspension screw for No. 22003	22238	Bearing bracket for No. 24535
700686	Fastening screw for Nos. 22512; 22680	22512	Ball joint connection, complete, consisting of No. 20346 Ball joint No. 22511 Connection
717	Fastening screw for No. 22680	22513	Bracket for Nos. 22512; 22680
700809	Fastening screw for Nos. 20353; 22004	★ 22530	Locking lever
700926	Fastening screw for No. 21097	22533	Bracket for No. 22530
700964	Hinge screw for Nos. 20065; 20066	22586	Tripping dog for No. 22701
700965	Spring suspension screw for No. 11903	22680	Lifting lever stop for No. 22003
700990	Fastening screw for Nos. 20269; 20271; 22238	22701	Tripping lever
701000	Fastening screw for Nos. 22512; 22513	22772	Ball joint connection for No. 22530, complete, consisting of Nos. 701662; 20353, complete; 22171; 22773
701154	Fastening screw for No. 20265	22773	Connecting rod joint for No. 22772
701199	Hinge screw for Nos. 20065; 20067	23019	Brake lever
1207	Fastening screw for cap of No. 24613	24429	Stop for No. 24593
701216	Hinge screw for No. 23019	24535	Knife bar tripping lever for No. 124149
701397	Fastening screw for Nos. 24589; 24592	24586	Slide block for No. 24588
701511	Nut for No. 700017	24587	Slide block stud for No. 24588
701515	Nut for Nos. 700230; 700686; 701000; 124150	24588	Feed regulator
701578	Wing nut for No. 24595	24589	Hinge stud for No. 24588
701658	Nut for No. 20067	24591	Feed across regulator
701662	Nut for Nos. 701199; 22171	24592	Hinge stud for No. 24591
701705	Nut for No. 24587	24593	Ball joint connection, complete, consisting of Nos. 407; 24594; 24595; 24596; 24613
1759	Slide block stud for No. 2170	24594	Guide fork for No. 24593
1849	Roller stud for No. 1864	24595	Ball screw stud for No. 24593
1864	Roller for No. 24535 (outside dia. = 7.0 mm; 7.02 mm; 7.04 mm; 7.06 mm; 7.08 mm; optional)	24596	Ball stud for No. 24593
2160	Washer for No. 2170	24613	Ball joint connection, w/fastening screw No. 1207, for No. 24593
2161	Positioning pin for No. 2160	25694	Pressure spring for No. 20396
2170	Slide block for No. 124149	25998	Rivet for No. 21095
2264	Positioning pin for Nos. 22004; 22238	28007	Washer for Nos. 700990; 22512; 701515
2536	Washer for No. 700058	28200	Washer for No. 20481
7328	Chain suspension hook for No. 22003	30240	Friction roller for No. 153
7329	Tension spring for No. 22701	30313	Washer for No. 25694
9624	Tension spring for No. 23019	31788	Circlip for No. 24587
11126	Stop motion lever hinge stud	98264	Spring washer for No. 701662
11176	Circlip for No. 20069	124149	Knife bar tripping lever, complete, consisting of: Nos. 1759; 1849; 2160; 2161; 2170; 24535
11903	Tension spring for No. 17584	124150	Roller stud for Nos. 24588; 24591
12526	Washer for No. 701578		
16328	Slip washer for No. 700660		
17584	Stop motion lever		
20030	Hinge stud for No. 22003		
20065	Stop link		
20066	Hinge stud for No. 20065		
20067	Stop link rod		
20069	Hinge stud for No. 20067		
20085	Hinge bolt for No. 22701		
20086	Washer for Nos. 700323; 20066; 20085		
20265	Bearing bracket for No. 17584		
20269	Catch for No. 17584		
20271	Latch for No. 22701		
20335	Roller stud, flanged, for No. 1864		
20349	Spring suspension bracket for Nos. 11903; 17584		



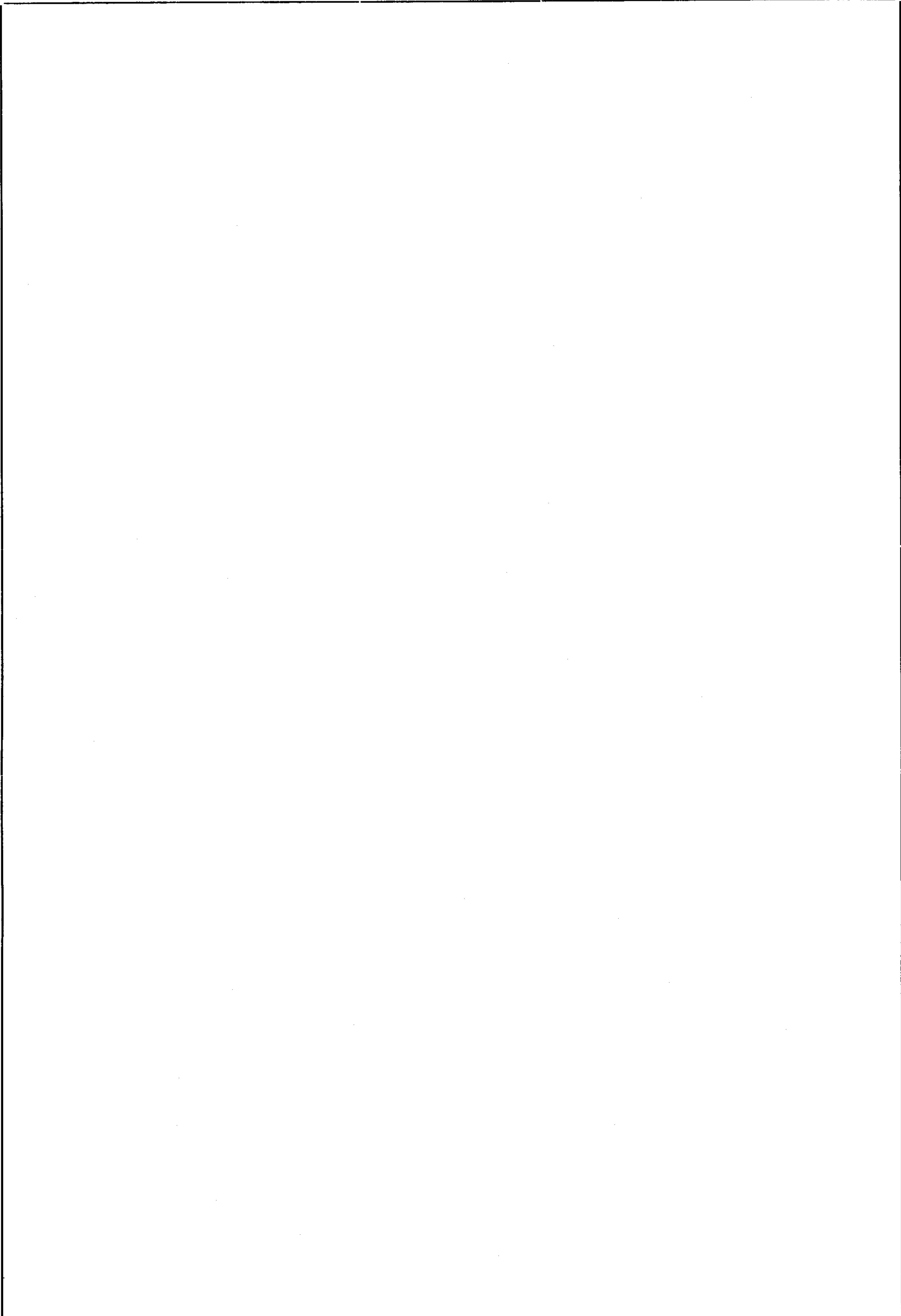
Cylinder Bed Parts



700173	Fastening screw for Nos. 22091; 24513; 24557	24532	Pressure spring, left, for No. 24615
★ 700230	Fastening screw for No. 24598	24533	Pressure spring, right, for No. 24615
700252	Fastening screw for No. 24599	24557	Needle plate (Model A), complete, consisting of Nos. 512; 700772; 22093; 22099; 22111; 24515; 101501
512	Fastening screw for No. 22111	24586	Slide block for No. 24597
700681	Fastening screw for No. 24512	24597	Feed across driving lever for No. 24611
700772	Fastening screw for No. 22099	24598	Fulcrum stud, lower, for No. 24597
700799	Fastening screw for Nos. 22452; 22453	24599	Cylinder arm top cover
701029	Fastening screw for No. 24935	24604	Slide block stud for No. 24597
701041	Fastening screw for Nos. 24936; 24937	24607	Work clamp frame for No. 24615
701099	Fastening screw for No. 22241	24608	Slide plate for No. 24615
★ 701269	Fastening screw for No. 24616	24611	Feed plate carrier bar for Nos. 24935; 24938
701278	Fastening screw for No. 24623	24615	Work clamp, complete, consisting of Nos. 701041; 701269; 701508; 22252; 245532; 24533; 24607; 24608; 24616; 24622; 100030
701344	Fastening screw for No. 24938	24616	Work clamp face plate for No. 24615
701386	Fastening screw for No. 24621	★ 24621	Fulcrum stud, upper, for No. 24597
★ 701387	Fastening screw for No. 24596 (see page III)	★ 24622	Work clamp foot bracket for No. 24615
701508	Regulating nut for No. 22252	24623	Cover for No. 24599
5548	Washer for No. 701029	24935	Work clamp, w/work clamp feet, complete, consisting of Nos. 24615, complete; 24936; 24937
22091	Position bracket for No. 22241	24936	Work clamp foot, left
22093	Knife carrier for No. 24557	24937	Work clamp foot, right
22099	Knife holder pinion stud bracket for No. 24557	24938	Feed plate
22111	Needle plate insert for No. 24557 (Model A)	100030	Fastening screw for No. 24608
22241	Knife bar tripping fork for No. 24511	101501	Nut for No. 700772
22252	Stud, threaded, for No. 24615	24578	Cylinder arm (not ill.)
22452	Bobbin thread knife for No. 24557	701063	Fastening screw for No. 24578 (not ill.)
22453	Needle thread knife for No. 24557	★ 101824	Positioning pin for No. 24578 (not ill.)
24511	Knife bar		
24512	Knife bar rack for No. 24511		
24513	Position bracket for No. 24511		
24515	Needle plate for No. 24557		

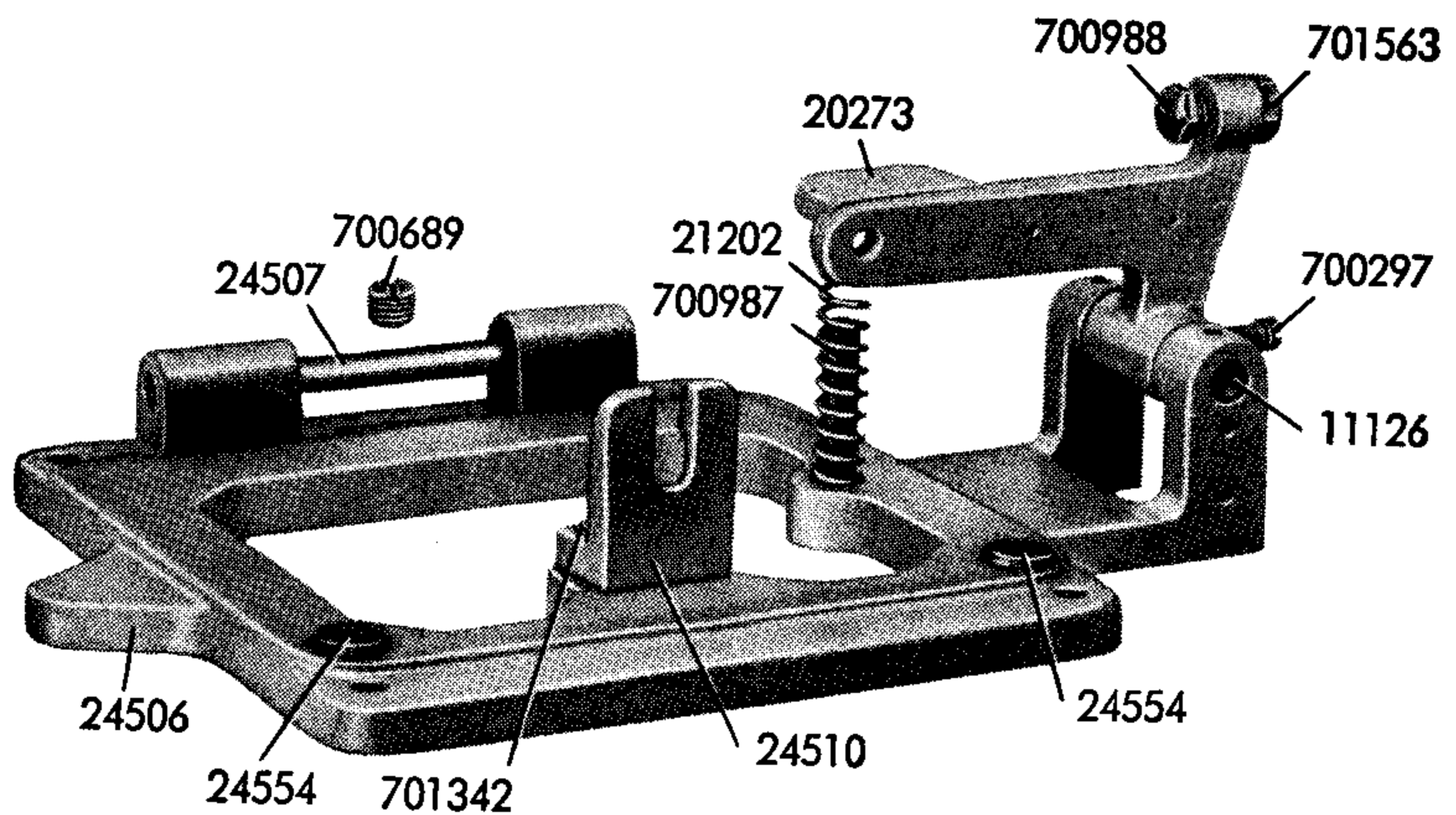
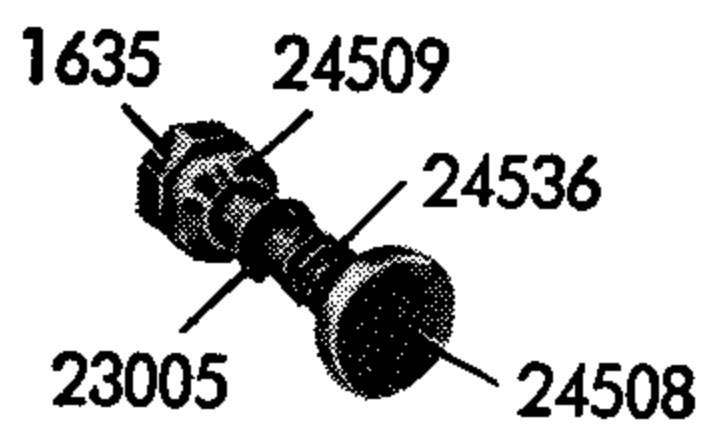
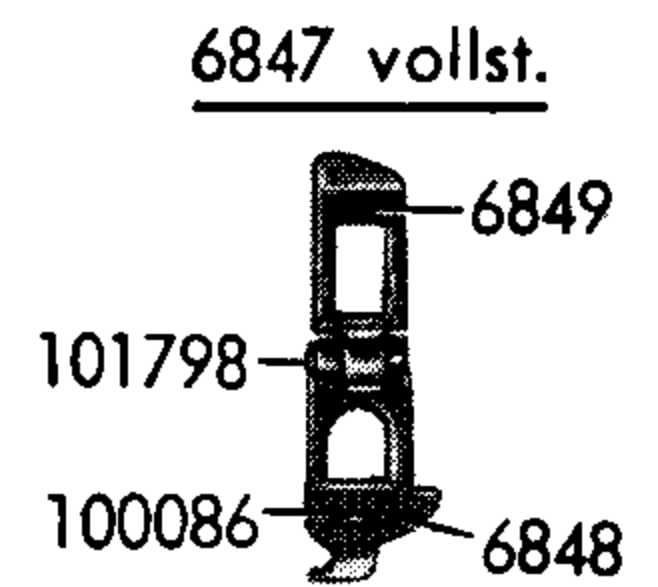
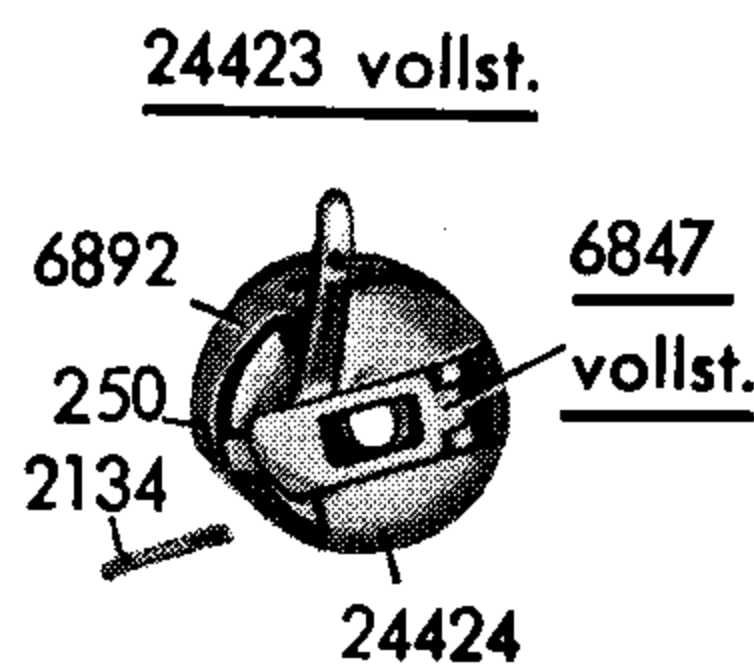
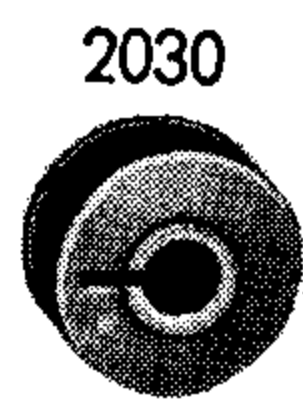
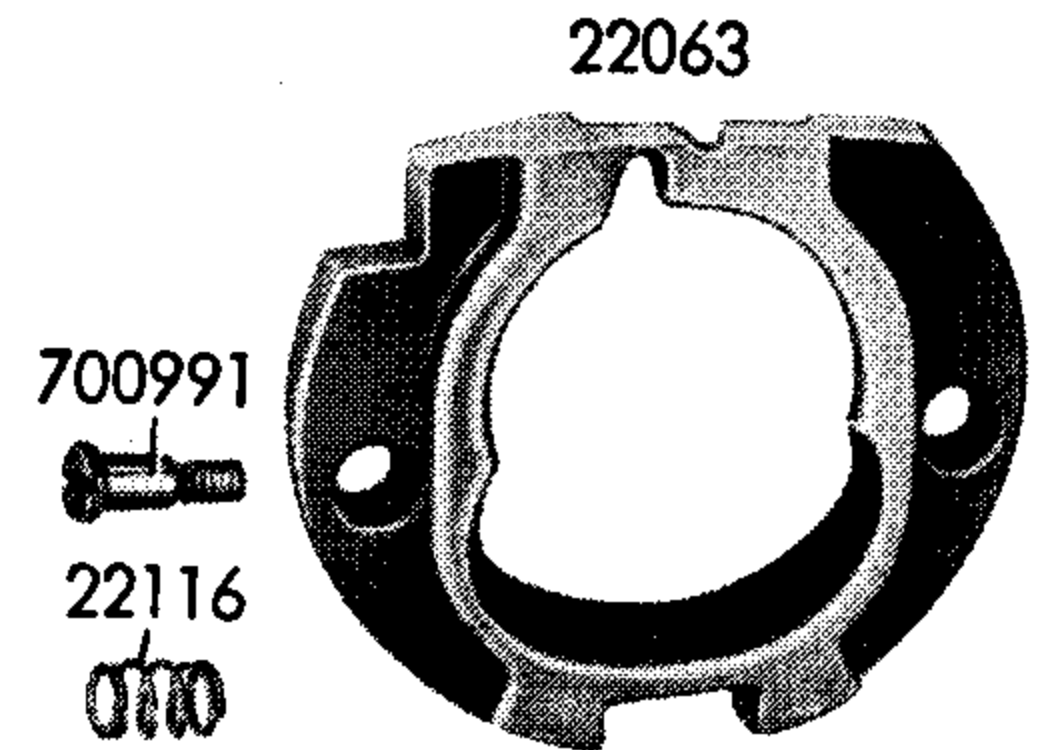
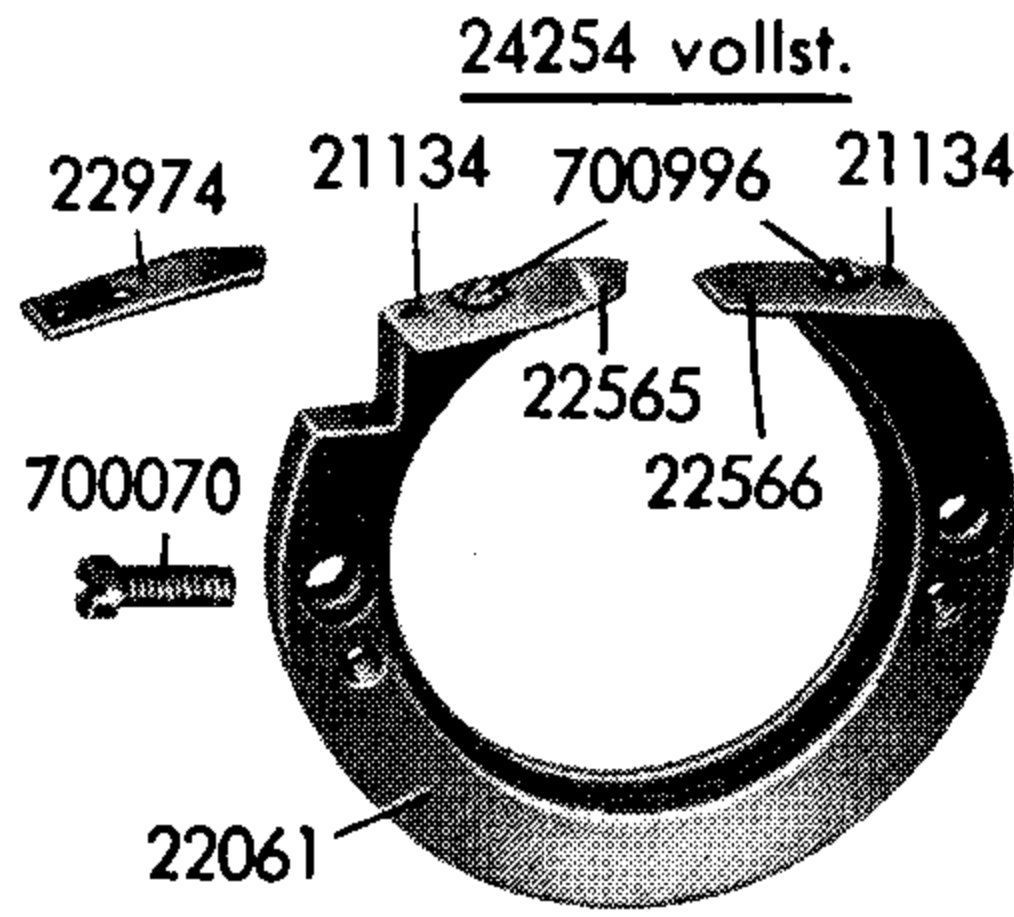
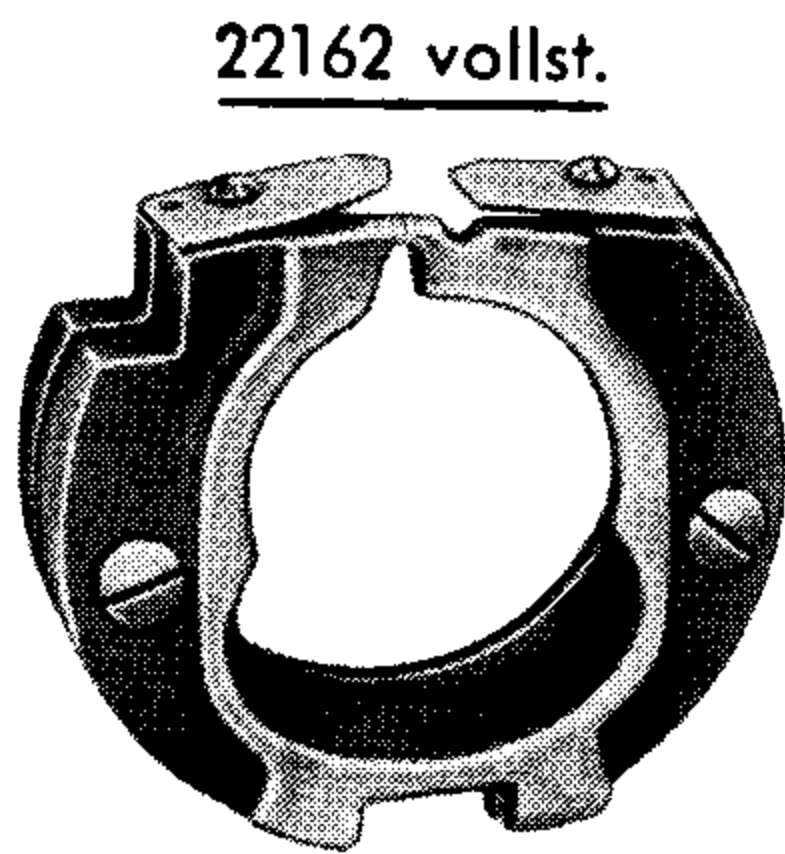
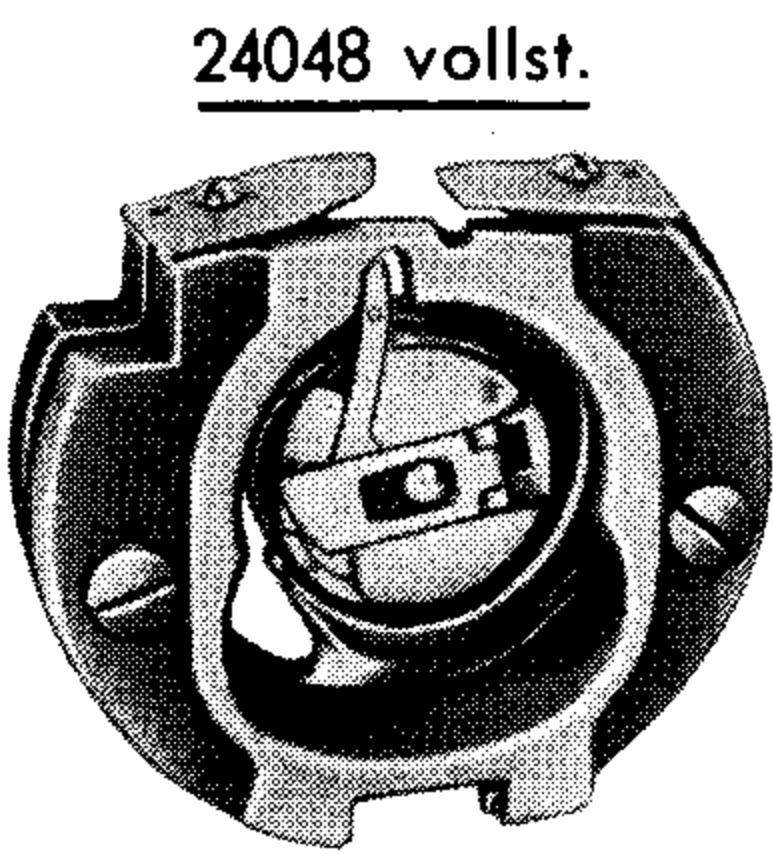
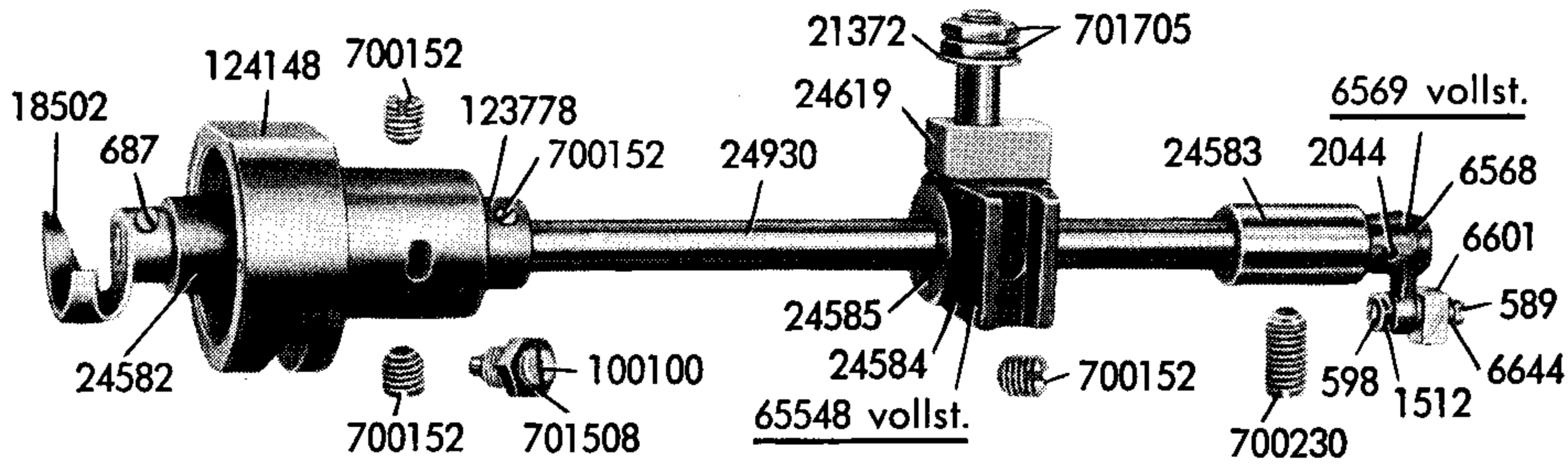
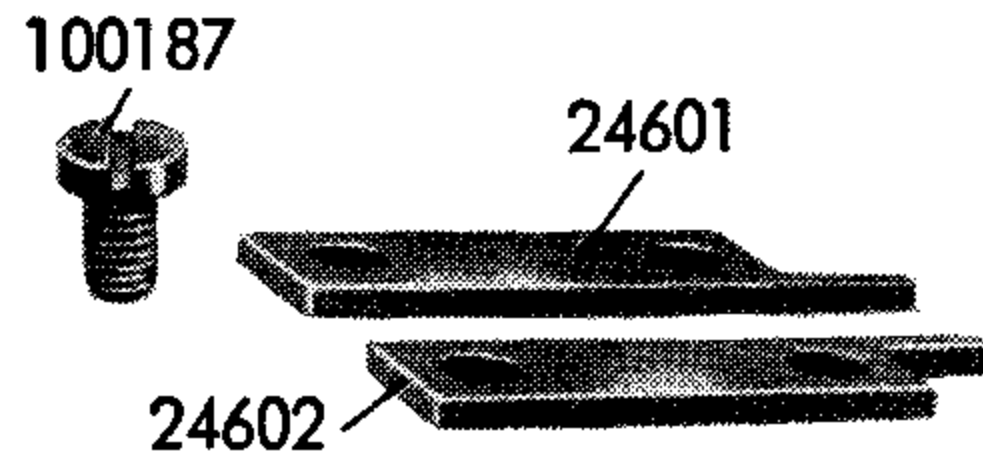
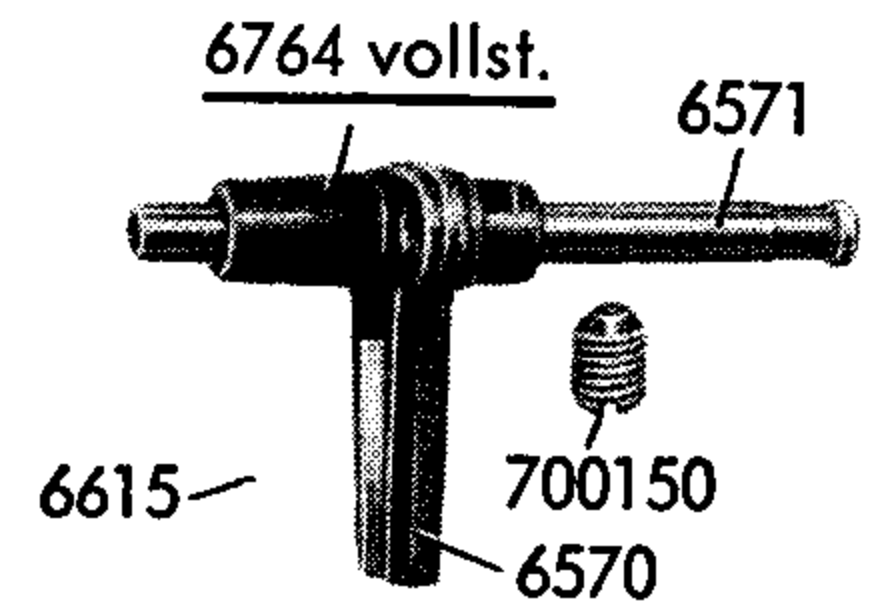
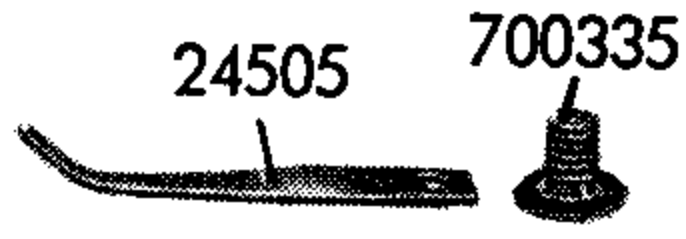
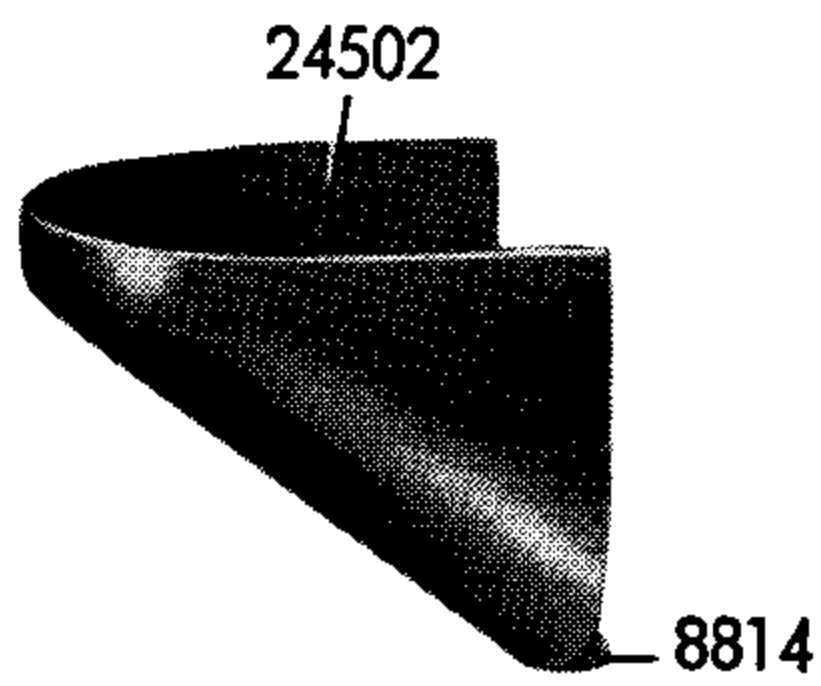
Organizational Parts of the Pfaff 3335-0-1/2 (not ill.) (For standard parts please refer to the Pfaff 3335-0-1/1)

24939	Work clamp, w/ work clamp feet, complete, consisting of Nos. 24615, complete; 24940; 24941
24940	Work clamp foot, left
24941	Work clamp foot, right
24942	Feed plate

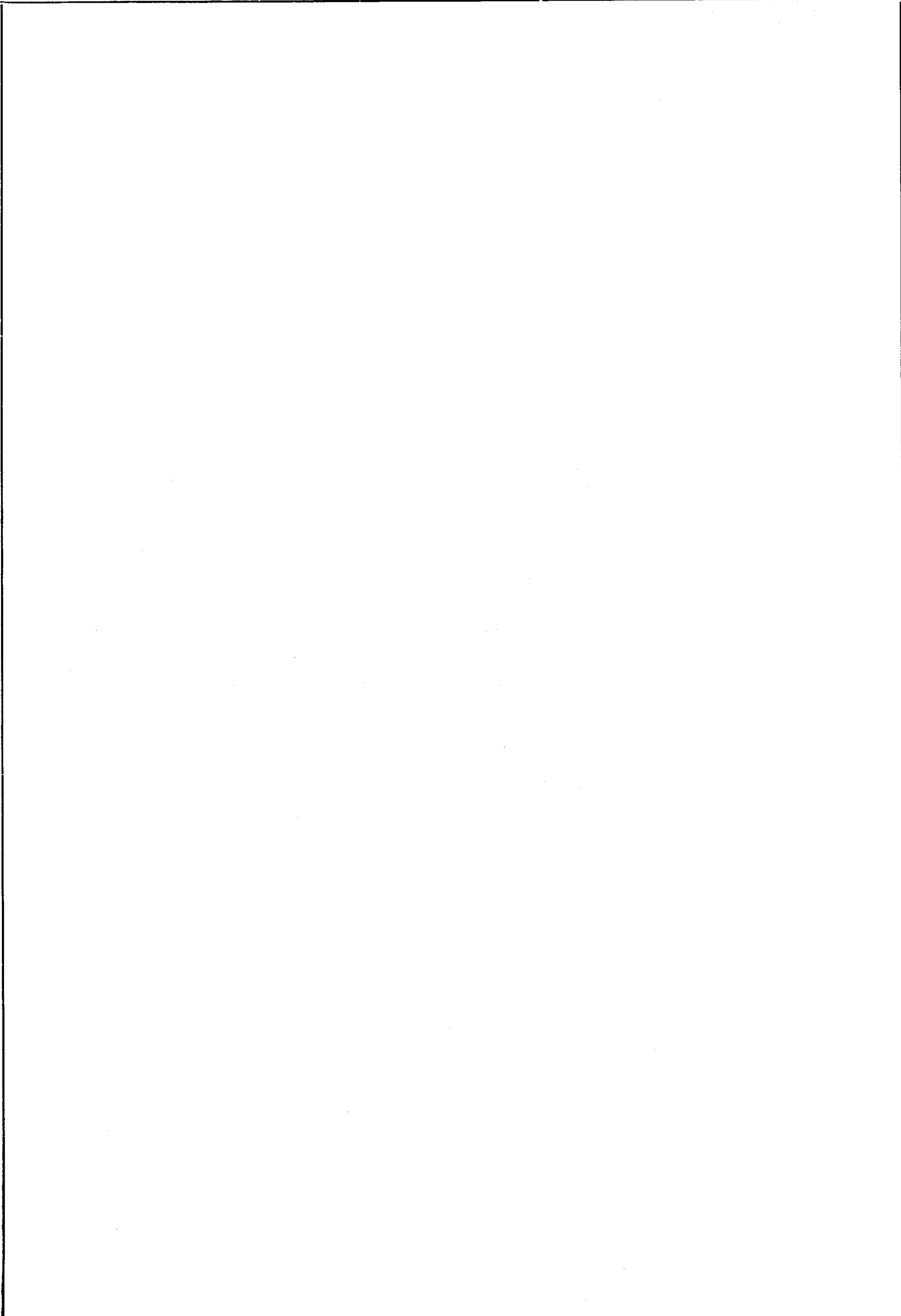


V

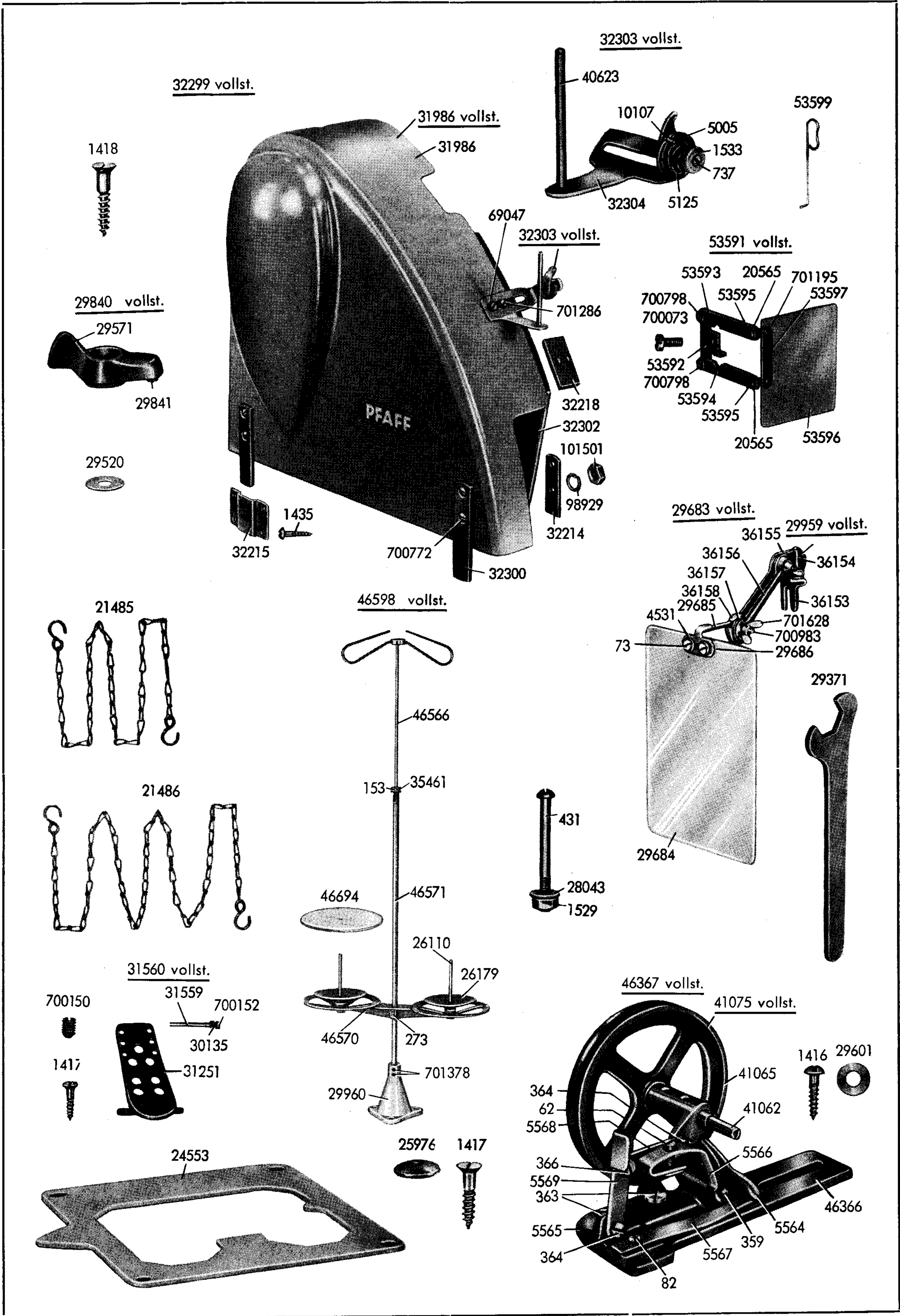
**Cylinder Bed and Machine
Base Parts**



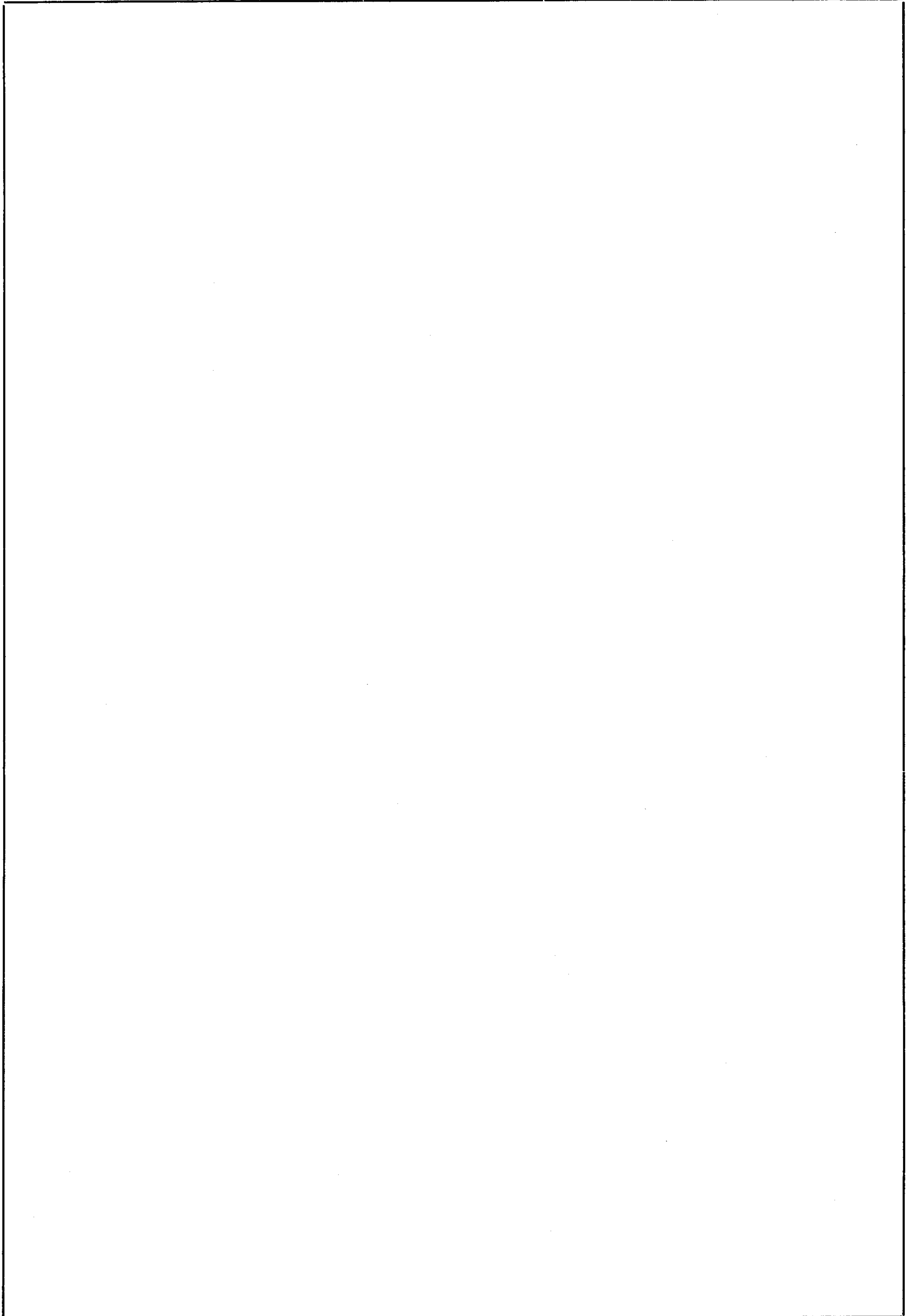
700070	Fastening screw for No. 24254	20273	Starting lever
700150	Fastening screw for No. 6571	21134	Positioning pin for Nos. 22565; 22566
700152	Fastening screw for Nos. 24585; 123778; 124148	21202	Pressure spring for No. 20273
★ 700152	Fastening screw for No. 24582	21372	Washer for No. 701705
★ 700230	Fastening screw for No. 24583	22061	Shuttle race
250	Regulating screw for No. 6892	22063	Shuttle race ring
700297	Fastening screw for No. 20273	22116	Pressure spring for No. 22063
700335	Fastening screw for No. 24505	22162	Shuttle race, complete, consisting of Nos. 700991; 22063; 22116; 24254 complete
★ 589	End screw for No. 6569	22565	Shuttle race cap, left, for No. 24254
★ 598	Slide block stud for No. 6569	22566	Shuttle race cap, right, for No. 24254
687	Fastening screw for No. 18502	22974	Shuttle race cap, left, for No. 24254
700689	Fastening screw for No. 24507	23005	Slip washer for No. 24508
700987	Guide screw for No. 21202	24048	Shuttle race, w/ shuttle and bobbin case, complete, consisting of Nos. 6694; 22162, complete; 24423 complete
700988	Set screw for No. 20273	24254	Shuttle race, complete, consisting of Nos. 700996; 21134; 22061; 22565; 22566
700991	Fastening screw for No. 22063	★ 24423	Bobbin case, complete, consisting of Nos. 250; 2134; 6847, complete; 6892; 24424
700996	Fastening screw for Nos. 22565; 22566	★ 24424	Bobbin case
701342	Fastening screw for No. 24510	24502	Cylinder arm cap w/ hinge pin No. 8814
701508	Nut for No. 100100	24505	Cylinder arm cap spring for No. 24502
1512	Nut for No. 598	24506	Machine base
701563	Nut for No. 700988	24507	Hinge stud for No. 24506
1635	Jam nut for No. 24509	24508	Plunger for No. 24506
701705	Nut for No. 24584	24509	Nut for No. 24508
2030	Bobbin	★ 24510	Position block for No. 24506
2044	Positioning pin for No. 6569	24536	Pressure spring for No. 24508
2134	Pressure spring for No. 6848	24554	Rubber cushion
6568	Shuttle driver shaft crank	24582	Shuttle driver shaft bushing, front
6569	Shuttle driver shaft crank, complete, consisting of Nos. 589; 598; 1512; 6568; 6601; 6644	24583	Shuttle driver shaft bushing, rear
6570	Oscillating rock shaft for No. 6764	24584	Bearing stud for No. 65548
★ 6571	Oscillating rock shaft hinge pin for No. 6764	24585	Bearing bushing for No. 65548
6601	Slide block for No. 6569	24601	Guide plate, left
6615	Oil pad for No. 6570	24602	Guide plate, right
★ 6644	Washer for No. 6569	24619	Slide block for No. 24584
6694	Shuttle	24930	Shuttle driver shaft
6764	Oscillating rock shaft, complete, consisting of Nos. 6570; 6571	65548	Bearing stud, complete, consisting of Nos. 700152; 24584; 24585
★ 6847	Bobbin case latch, complete, consisting of Nos. 6848; 6849; 100086; 101798	★ 100086	Stop screw for No. 6848
★ 6848	Bobbin case latch for No. 6847	100100	Set screw for No. 124148
★ 6849	Bobbin case latch lever for No. 6847	100187	Fastening screw for Nos. 24601; 24602
★ 6892	Tension spring for No. 24423	★ 101798	Hinge pin for No. 6847
8814	Hinge pin for No. 24502	123778	Set collar for No. 24930
9149	Oil wick for No. 6571	124148	Shuttle race regulating bushing
11126	Starting lever hinge stud for No. 20273		
18502	Shuttle driver		



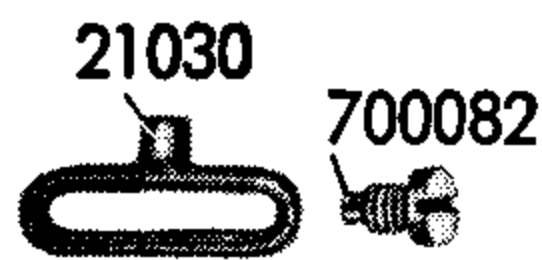
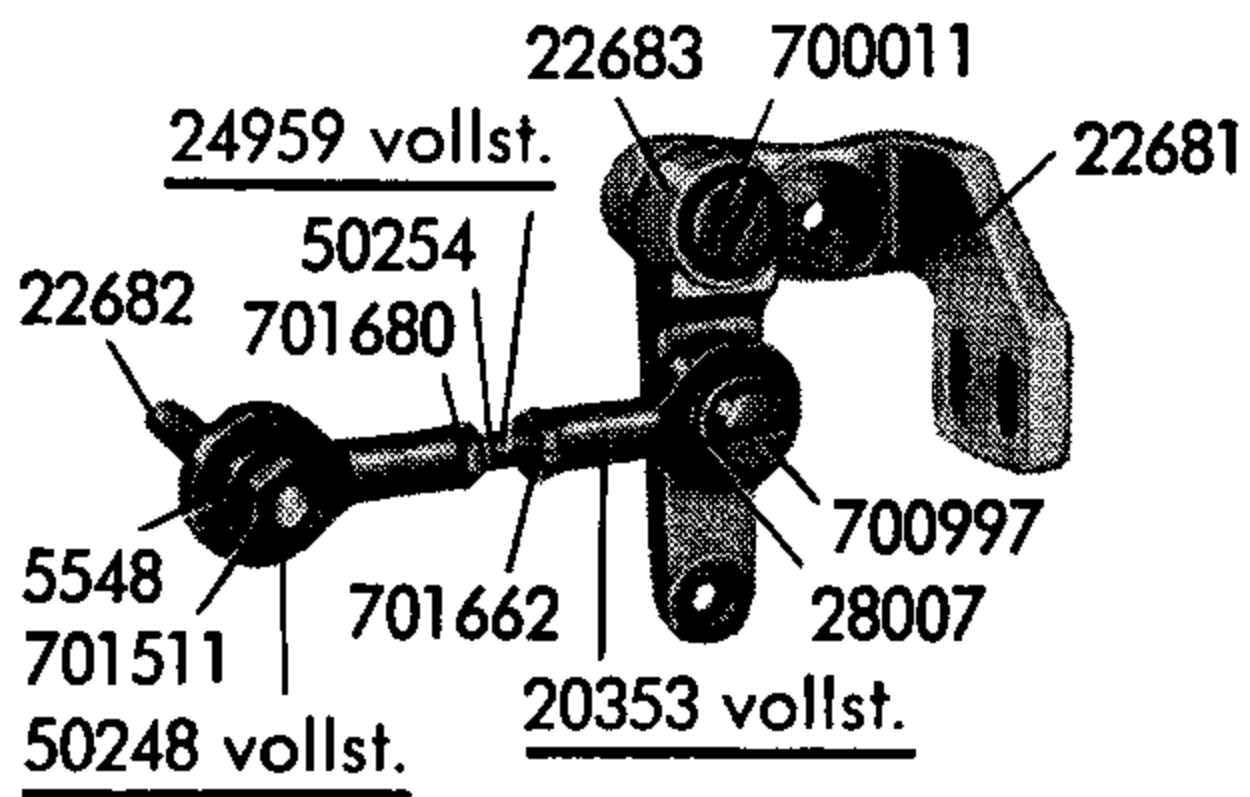
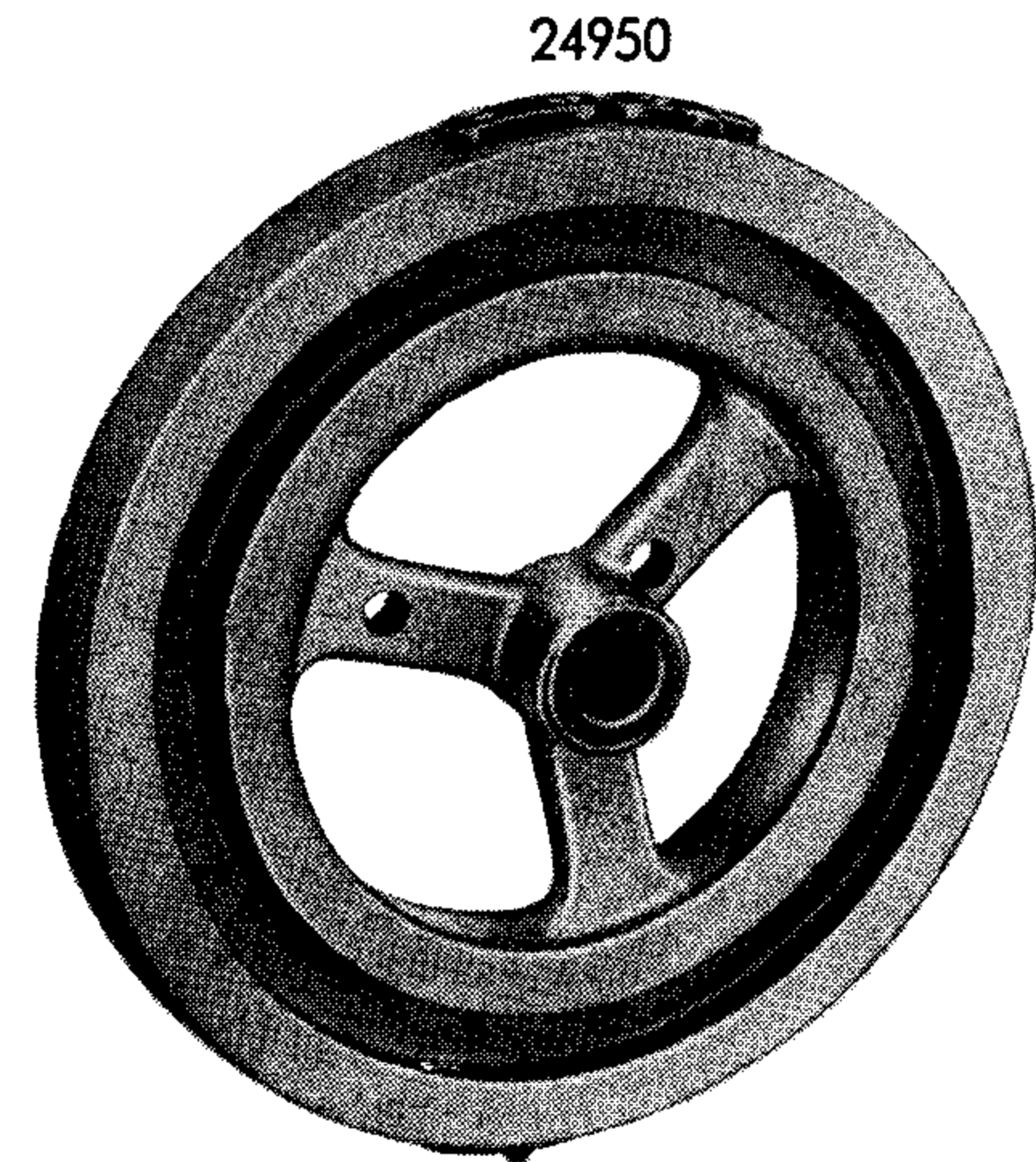
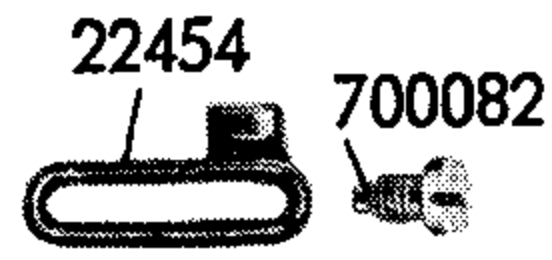
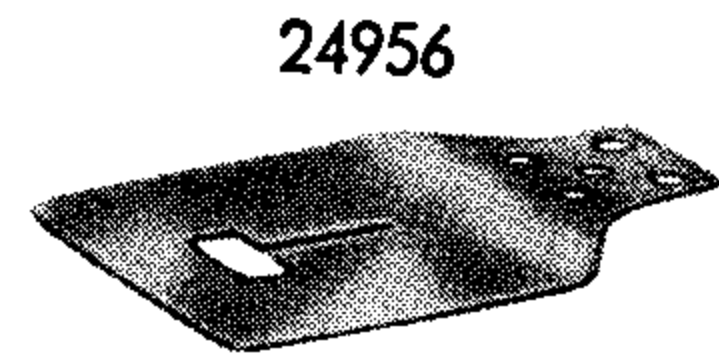
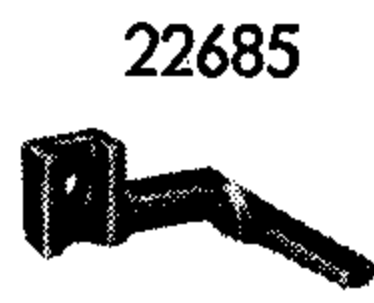
**Accessory Parts
PFAFF 3335 & 3335-0**



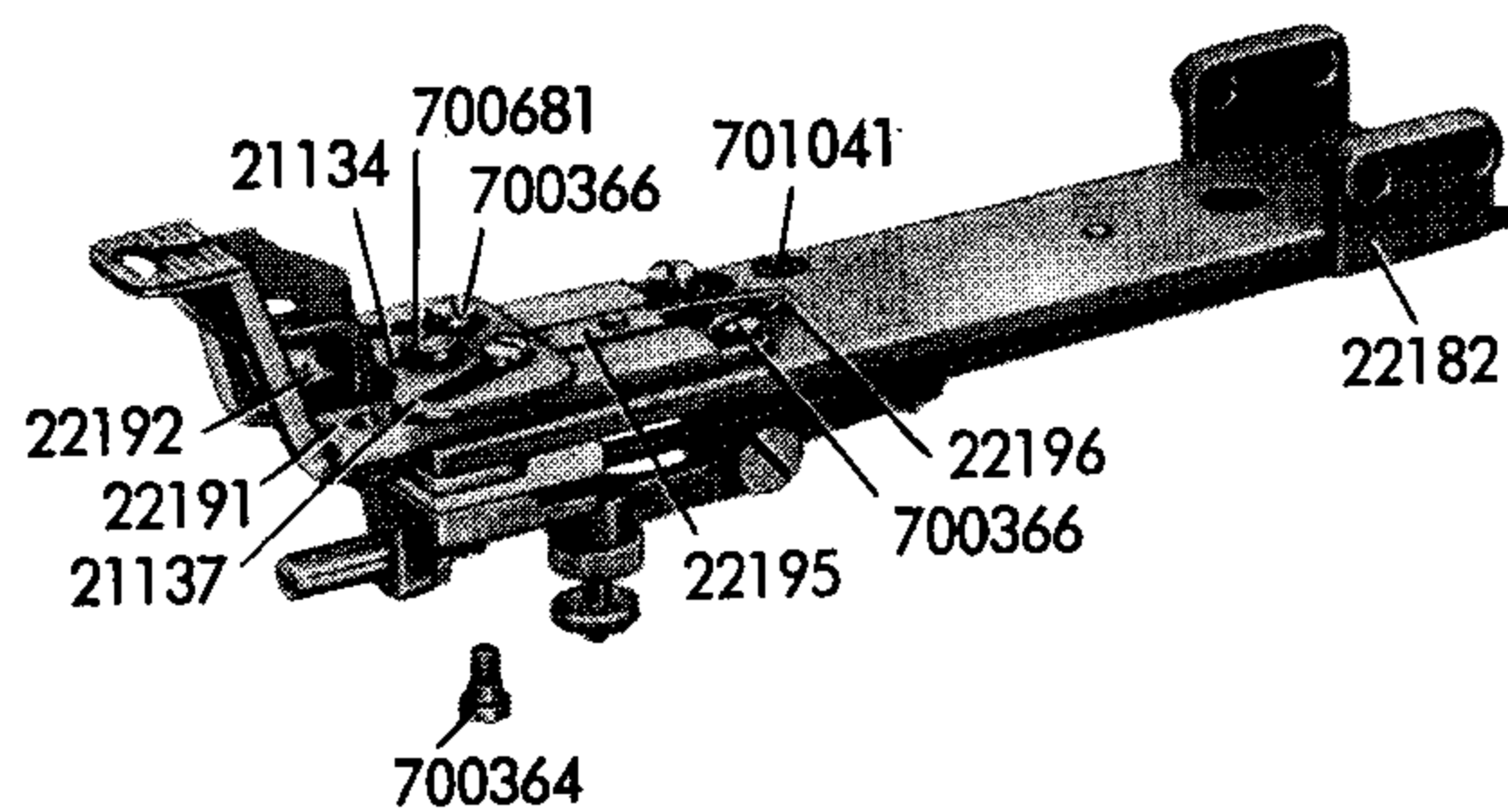
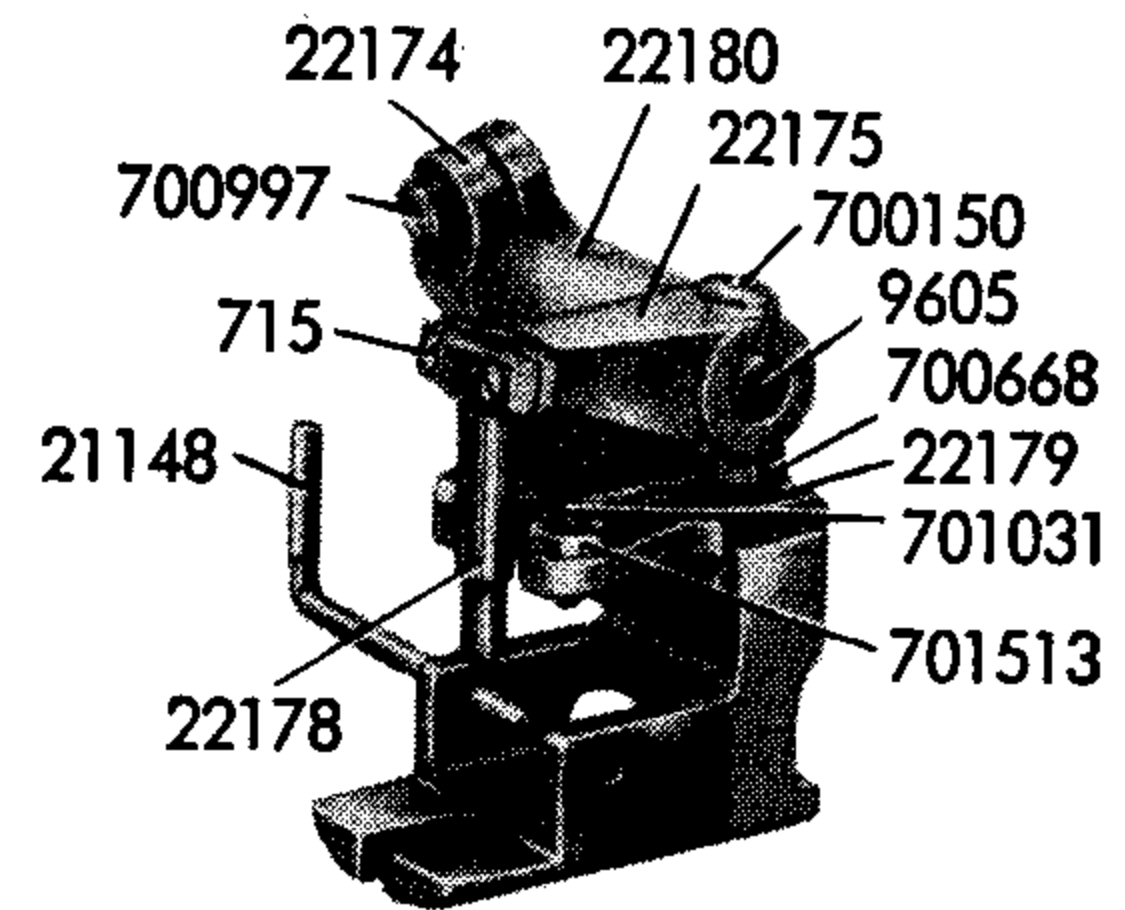
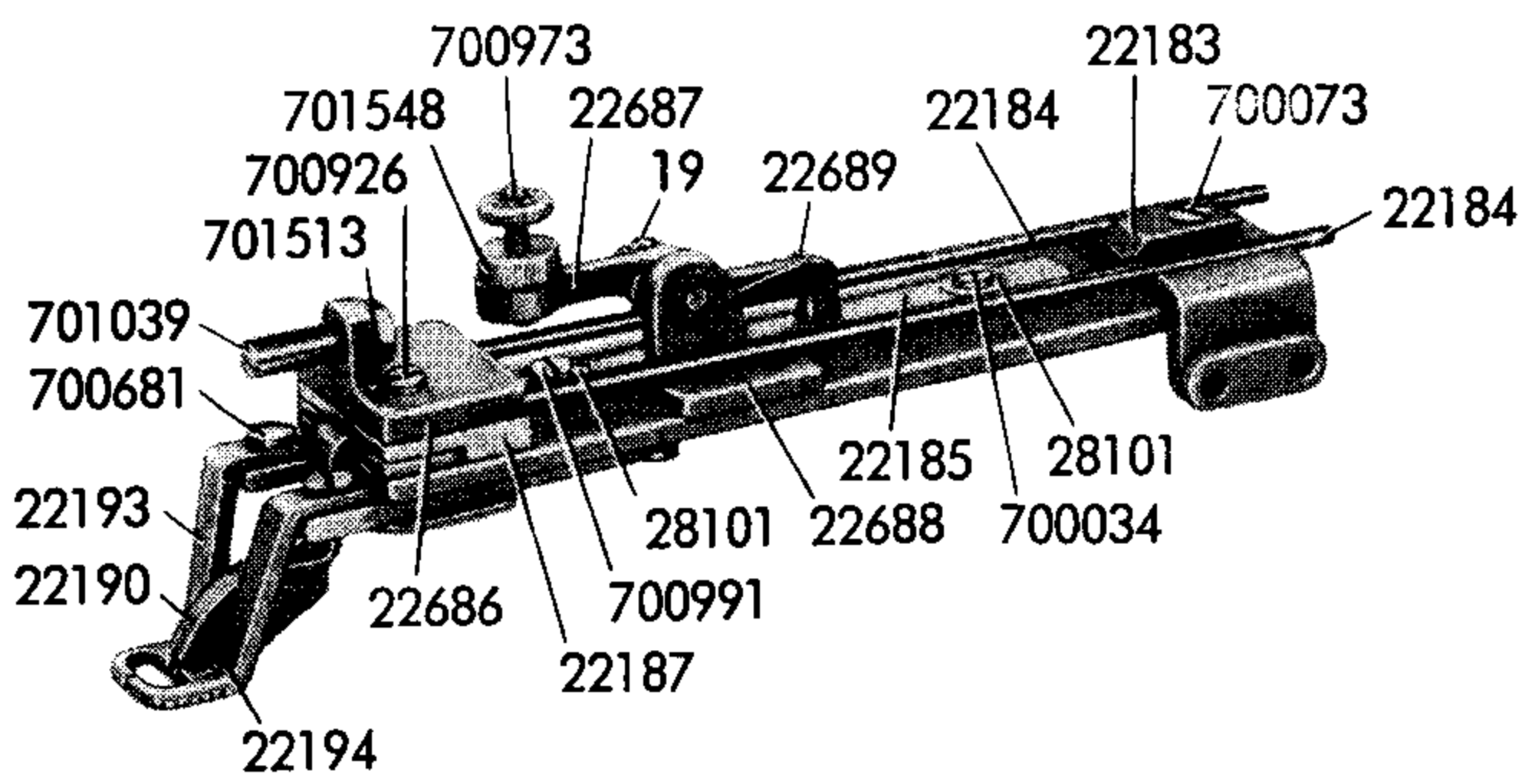
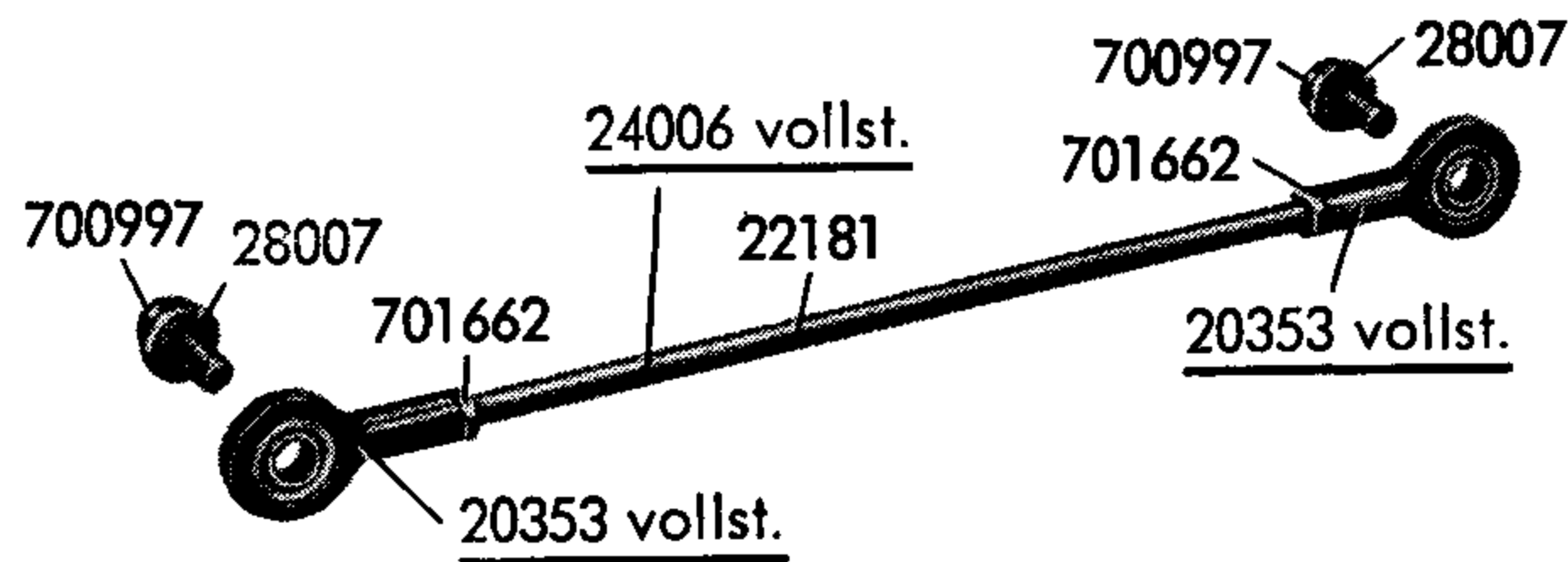
- 62** Set screw for No. 5566
73 Fastening screw for No. 29686
700073 Fastening screw for No. 53591
82 Fastening screw for No. 5567
700150 Fastening screw for No. 31559
700152 Fastening screw for No. 30135
 ★ **153** Fastening screw for No. 46566
273 Fastening screw for No. 46570
359 Hinge screw for Nos. 5564; 5565
363 Fastening screw for No. 41075
364 Hinge screw for Nos. 5568; 5569
366 Hinge screw for Nos. 5568; 5569
431 Fastening screw for No. 24506 (see page V)
737 Tension stud for No. 32303
700772 Fastening screw for No. 32300
700798 Hinge screw for Nos. 53593; 53594
700983 Hinge screw for No. 29959
701195 Fastening screw for Nos. 53596; 53597
 ★ **701286** Fastening screw for Nos. 32302; 32303
 ★ **701378** Fastening screw for No. 29960
1416 Wood screw for No. 46367
1417 Wood screw for No. 31560
 ★ **1417** Wood screw for No. 46598
1418 Wood screw for No. 29840
1435 Wood screw for No. 32215
1529 Nut for No. 431
1533 Nut for No. 737
701628 Wing nut for No. 700983
4531 Washer for No. 73
5005 Tension disc for No. 32303
5125 Tension spring for No. 32303
5564 Bobbin winder frame for No. 41075
5565 Bobbin winder frame base for No. 41075
5566 Bobbin winder stop latch for No. 41075
5567 Bobbin winder frame spring for No. 41075
5568 Bobbin winder stop latch trip lever for Nos. 5564; 5569
5569 Bobbin winder thumb lever for No. 41075
10107 Position pin for No. 5005
20565 Slip washer for Nos. 53593; 53594
21485 Chain for No. 20273 (see page V)
21486 Chain for No. 22003 (see page III)
24553 Plastic pad for No. 24506 (see page V)
25976 Spool cap for No. 46598 (on special request)
26110 Spool pin for No. 46598
26179 Spool disc for No. 46598
28043 Washer for No. 1529
29371 Hexagon screw wrench for No. 701705 on No. 24587 (see page III)
29520 Washer for No. 29840
29571 Catch for No. 29840
29601 Washer for No. 1416
29683 Eye guard, complete, consisting of Nos. 29684; 29959 complete (Special model)
29684 Perspex eye guard for No. 29683
29685 Holder for No. 29684
29686 Screw washer for No. 29685
29840 Catch for No. 32299, complete, consisting of Nos. 29571; 29841
29841 Leather for No. 29840
29959 Bracket, for No. 29683, complete, consisting of Nos. 73; 700983; 701628; 4531; 29685; 29686; 36153; 36154; 36155; 36156; 36157; 36158
 ★ **29960** Thread unwinder base, w/ fastening screw No. 701378, for No. 46598
30135 Set collar for No. 31559
31251 Treadle, narrow
31559 Chain suspension stud for No. 31560
31560 Treadle, narrow, complete, consisting of Nos. 700150; 700152; 30135; 31251; 31559
 ★ **31986** Belt guard for No. 31986, complete
 ★ **31986** Belt guard for No. 32299, complete consisting of Nos. 700772; 31986; 32214; 32300; 98929; 101501
32214 Spacer for No. 31986
32215 Position strap bracket for No. 32299
32218 Support for No. 32299
 ★ **32299** Belt guard, complete, consisting of Nos. 701286; 1418; 1435; 29520; 29840, complete; 31986, complete; 32215; 32218; 32302; 32303, complete; 69047
 ★ **32300** Position strap for No. 31986
 ★ **32302** Baffle plate for No. 32299
32303 Bobbin winder tension bracket for No. 32299, complete, consisting of Nos. 737; 1533; 5005; 5125; 32304; 40623
32304 Bobbin winder tension bracket, w/ position pin No. 10107, for No. 32303
35461 Set collar, w/ fastening screw No. 153, for No. 46571
36153 Bracket for No. 29959
36154 Hinge plate, slotted, for No. 29959
36155 Hinge plate, pronged, for No. 29959
36156 Carrying arm section for No. 29959
36157 Washer for No. 36158
36158 Hinge cup for No. 29959
40623 Spool pin for No. 32303
41062 Bobbin winder spindle for No. 41075
41065 Bobbin winder pulley for No. 41075
41075 Bobbin winder, complete, consisting of Nos. 62; 82; 359; 364; 366; 5564; 5565; 5566; 5567; 5568; 5569; 41062; 41065
46366 Bobbin winder base for No. 41075
46367 Bobbin winder, table model, complete, consisting of Nos. 363; 41075, complete; 46366
46566 Thread guide for No. 46598
46570 Spool rest, w/ fastening screw No. 273, for No. 46598
46571 Spool rest rod for No. 46598
46598 Thread unwinder, complete, consisting of Nos. 26110; 26179; 29960; 35461; 46566; 46570; 46571; 46694
 ★ **46694** Spool pin washer (foam rubber) for No. 46598
53591 Eye guard, complete, consisting of Nos. 700798; 701195; 20565; 53592; 53593; 53594; 53595; 53596; 53597 (standard type; when used on older machines, drill and tap M4 borehole in machine at needle-bar end)
53592 Bracket for No. 53591
53593 Carrying arm, top, for No. 53591
53594 Carrying arm, bottom, for No. 53591
53595 Hinge stud, for Nos. 53593; 53594
53596 Perspex eye guard for No. 53591
53597 Reinforcing bar for No. 53591
53599 Suspension wire for No. 53591
69047 Washer for No. 701286
98929 Spring washer for No. 101501
101501 Nut for No. 700772



**Organizational Parts
PFAFF 3335-0-5/1, /2 & /3**



22200 vollst.



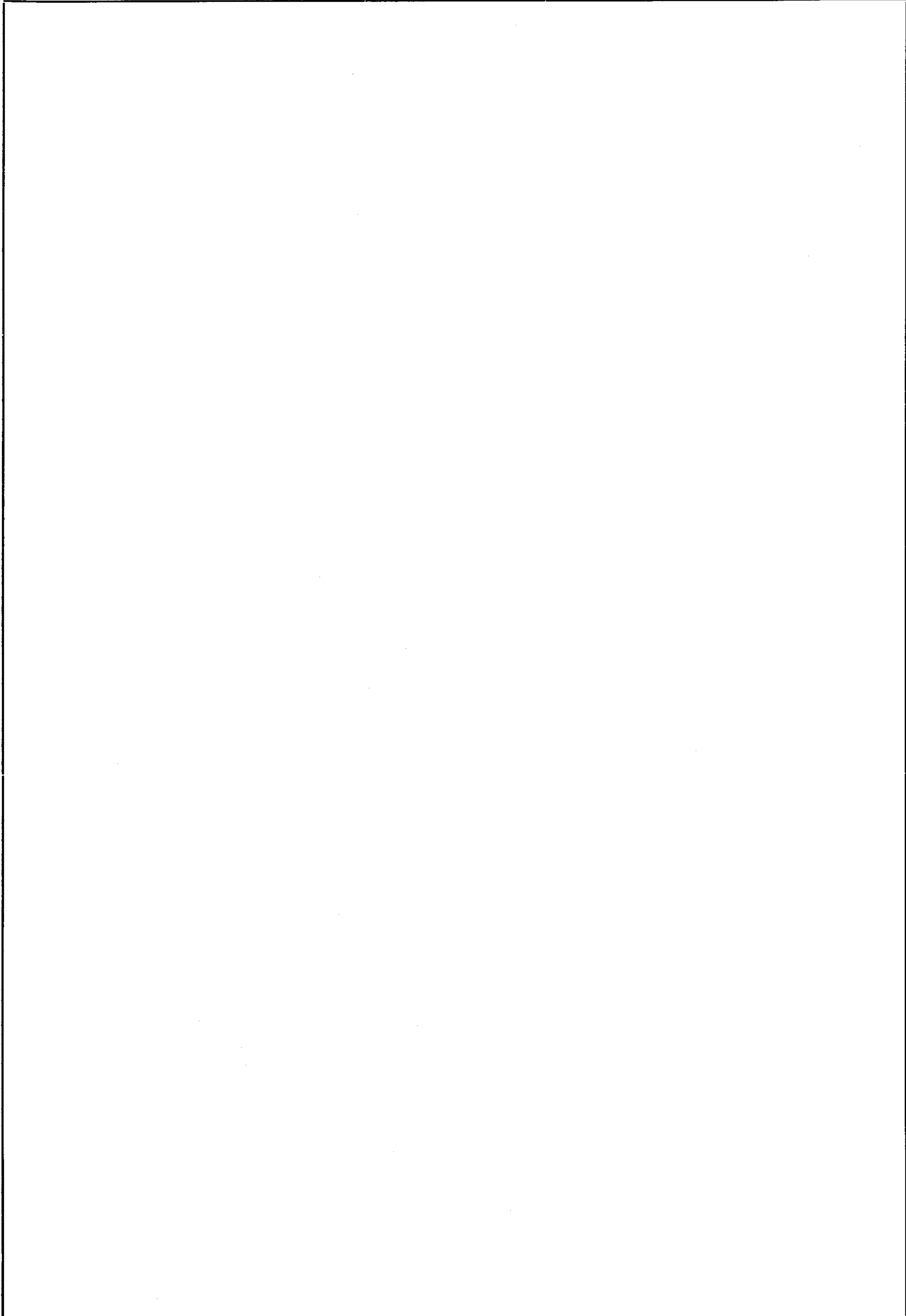
700011	Hinge screw for No. 22683	22184	Pressure spring for No. 22200
19	Hinge screw for No. 22687	22185	Interlocking rod for No. 22200
700034	Guide screw for No. 22185	22187	Base plate for No. 22184
700073	Fastening screw for No. 22183	22190	Buttonhole position finger for No. 22200
700082	Fastening screw for Nos. 21030; 22454	22191	Work clamp foot bracket, left, for No. 22193
700150	Fastening screw for No. 22175	22192	Work clamp foot bracket, right, for No. 22194
700252	Fastening screw for No. 21302	22193	Work clamp foot, left, for No. 22200
700034	Guide screw for No. 22185	22194	Work clamp foot, right, for No. 22200
700366	Guide and hinge screw for Nos. 22191; 22192	22195	Connection for Nos. 21137; 22185
700668	Fastening screw for No. 22179	22196	Pressure spring for Nos. 22191; 22192
700681	Fastening screw for Nos. 21137; 22193; 22194	22200	Work clamp, complete, consisting of Nos. 19; 700034; 700073; 700150; 700364; 700366; 700668; 700681; 700926; 700973; 700991; 700997; 701031; 701039; 701041; 701513; 701548; 9605; 21134; 21137; 21148; 22174; 22175; 22178; 22179; 22180; 22182; 22183; 22184; 22185; 22187; 22190; 22191; 22192; 22193; 22194; 22195; 22196; 22686; 22687; 22688; 22689; 24006 complete; 28007; 28101
715	Fastening screw for cap of No. 22175	22454	Thread nipper tripping segment for No. 24950
700926	Fastening screw for No. 22686	22681	Bracket for No. 22683
700973	Stop screw for No. 22687	22682	Stud, threaded, for No. 24959
700991	Fastening screw for Nos. 22185; 22195	22683	Connection lever, for Nos. 24006; 24959
700997	Binding screw for No. 22174 and Fastening screw for Nos. 24006; 24959	22685	Clamp foot lifting lever
701031	Regulating screw for No. 22184	22686	Bearing bracket for No. 22200
701039	Stop screw for No. 22686	22687	Locking lever for No. 22200
701041	Fastening screw for No. 22688	22688	Bearing bracket for No. 22687
701511	Nut for No. 22682	22689	Torsion spring for No. 22687
701513	Nut for Nos. 701031; 701039	24006	Ball joint connection for No. 22200, complete, consisting of Nos. 701662; 20353, complete; 22181
701548	Nut for No. 700973	24950	Feed cam, w/ No. 700082 Fastening screw for Nos. 21030; 22454
701662	Nut (right-hand thread) for Nos. 22181; 50254		No. 21030 Stop tripping segment
701680	Nut (left-hand thread) for No. 50254		No. 22454 Thread nipper tripping segment
5548	Washer for No. 701511	24956	Feed plate
9605	Shaft for Nos. 22174; 22175	24959	Ball joint connection for No. 22683, complete, consisting of Nos. 701662; 701680; 20353 complete; 50248 complete; 50254
20353	Ball joint (right-hand thread) for Nos. 24006; 24959, complete, consisting of No. 20345 Ball joint end bearing No. 20346 Ball joint	28007	Washer for No. 700997
21030	Stop tripping segment for No. 24950	28101	Washer for Nos. 700034; 700991
21134	Position pin for No. 21137	50248	Ball joint (left-hand thread) for No. 24959, complete, consisting of No. 20346 Ball joint No. 50249 Ball joint end bearing
21137	Work clamp spreader for Nos. 22191; 22192	50254	Connecting rod for No. 24959
21148	Hinge pin for Nos. 22180; 22182		
21302	Stop		
22174	Connection for Nos. 22200; 24006		
22175	Thrust lever, w/ fastening screw No. 715, for No. 22200		
22178	Ball stud for No. 22175		
22179	Stop screw plate for No. 22200		
22180	Bearing bracket for No. 22200		
22181	Connecting rod for No. 24006		
22182	Work clamp carrier for No. 22200		
22183	Position bracket for No. 22182		

Organizational Parts of the Pfaff 3335-0-5/2 (not ill.) (For standard parts please refer to the Pfaff 3335-0-5/1)

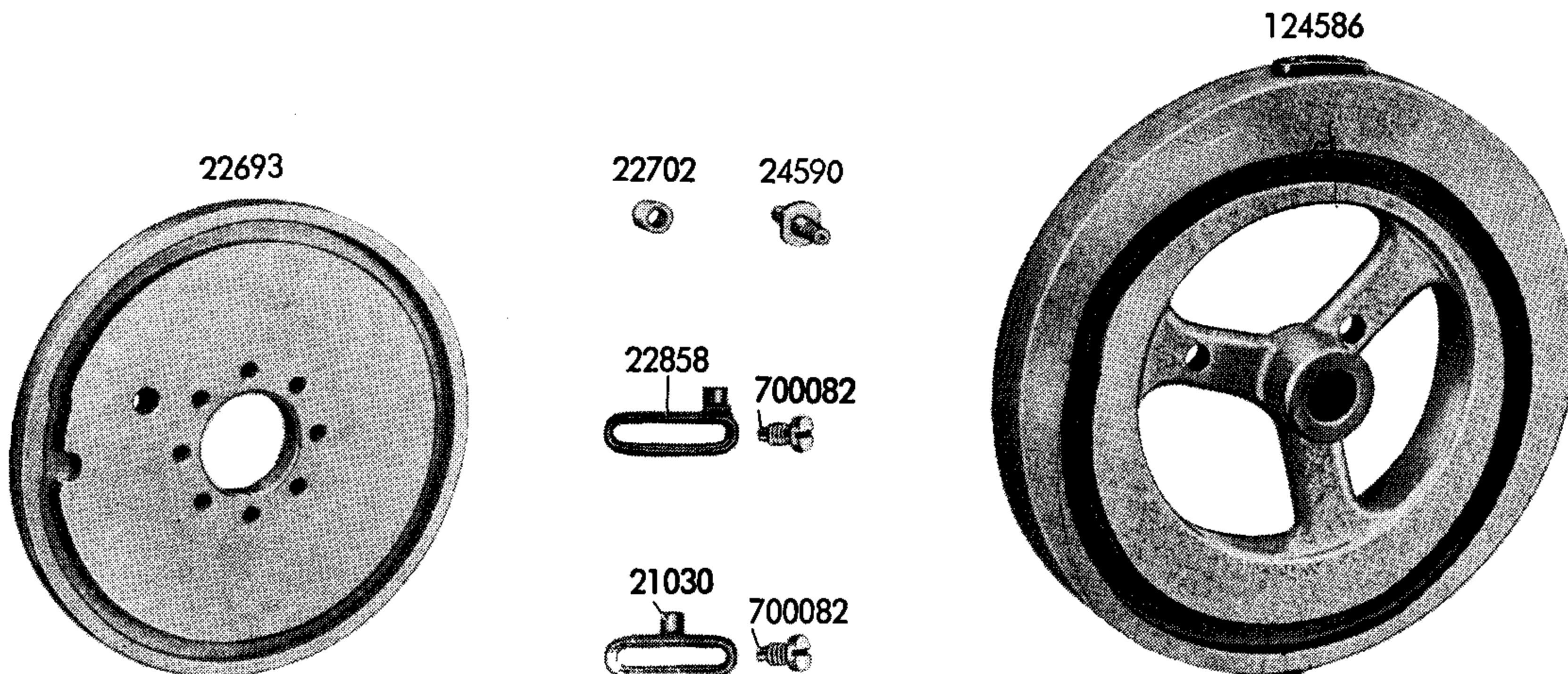
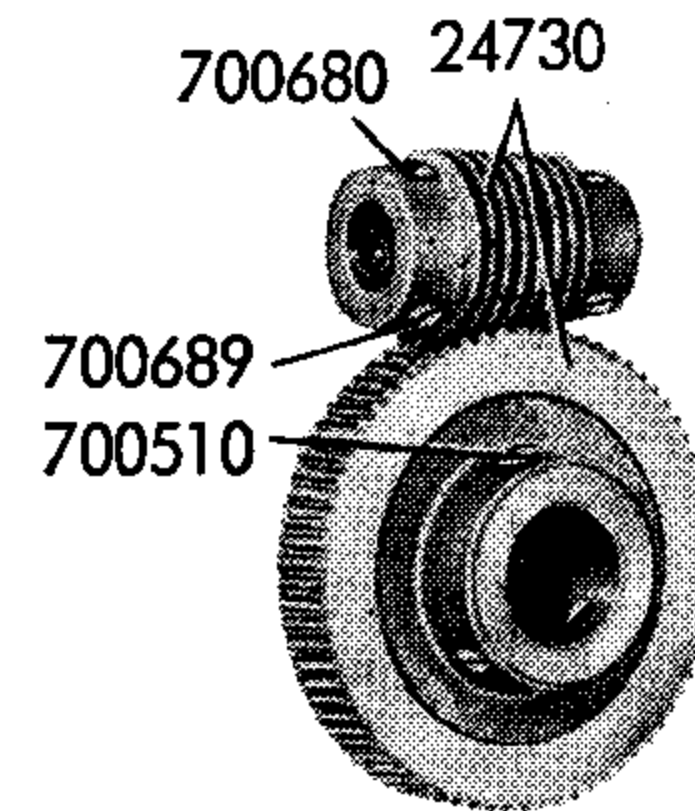
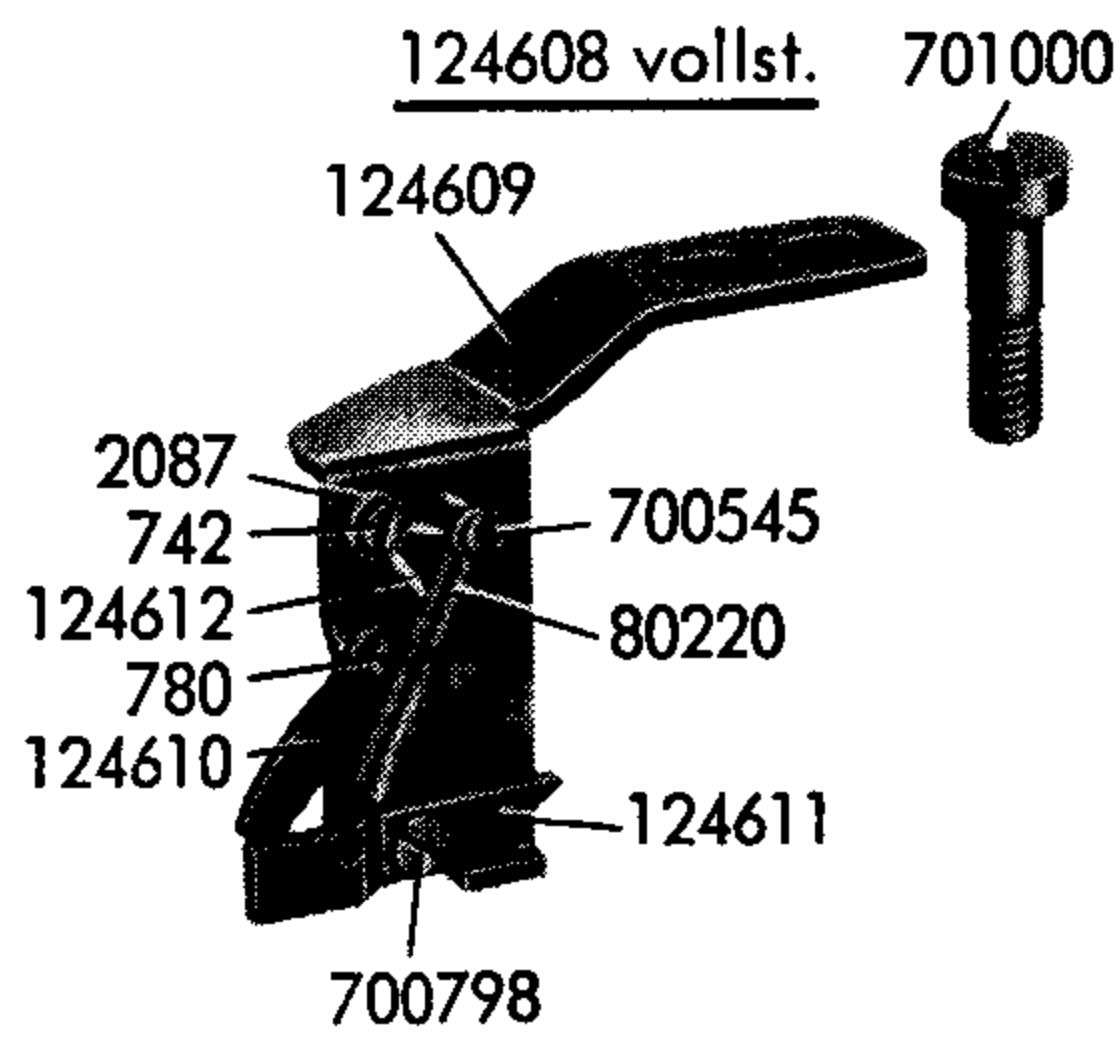
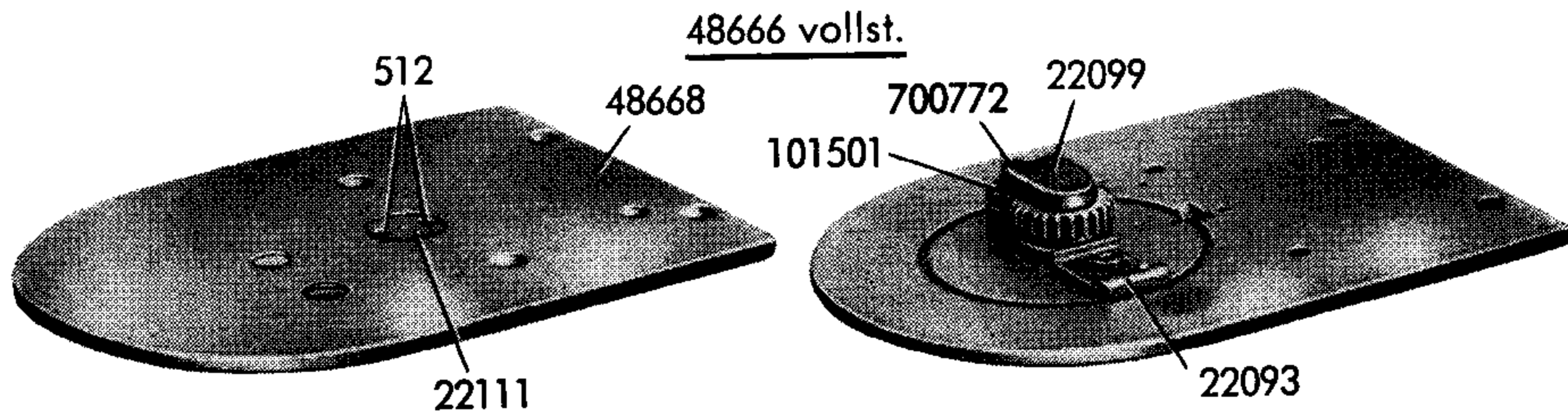
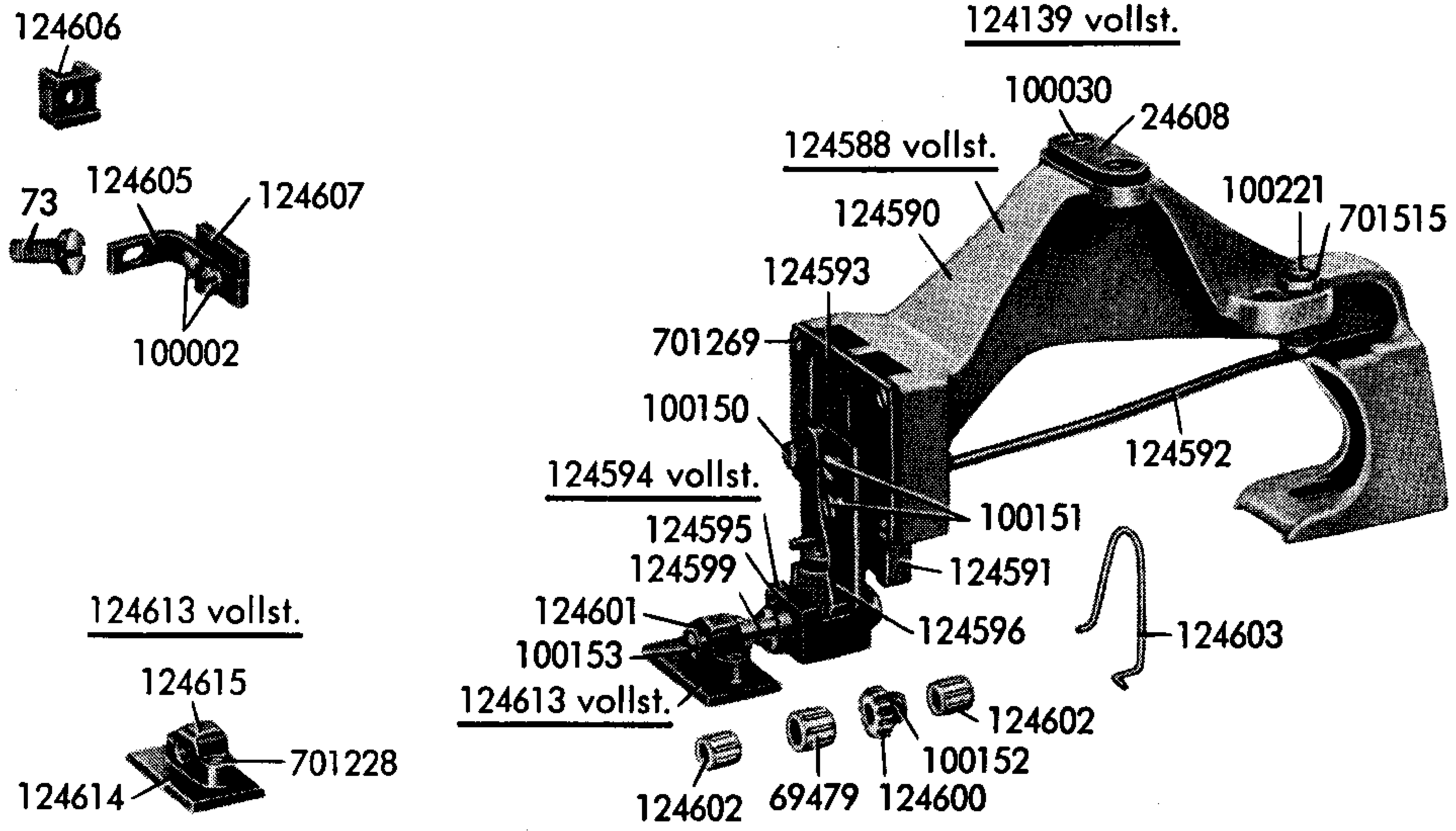
24960	Feed cam, w/ No. 700082 Fastening screw for Nos. 21030; 22858	24961	Knife cam
	No. 21030 Stop tripping segment	124329	Worm gear assembly, w/ No. 700680 Fastening screw, pointed
	No. 22858 Thread nipper tripping segment		No. 700689 Fastening screw, blunt

Organizational Parts of the Pfaff 3335-0-5/3 (not ill.) (For standard parts please refer to the Pfaff 3335-0-5/1)

22858	Thread nipper tripping segment for No. 24962	24962	Feed cam, w/ No. 700082 Fastening screw for Nos. 21030; 22858
22897	Knife cam		No. 21030 Stop tripping segment
24731	Worm gear assembly, w/ No. 700680 Fastening screw, pointed		No. 22858 Thread nipper tripping segment
	No. 700689 Fastening screw, blunt		



**Organizational Parts
PFAFF 3335-0-317/1**



- 73** Fastening screw for Nos. 124605; 124606
- 700082** Fastening screw for Nos. 21030; 22858
- 700510** Fastening screw for worm wheel of No. 24730
- 512** Fastening screw for No. 22111
- 700545** Spring suspension screw for No. 124608
- 700680** Fastening screw, pointed for worm of No. 24730
- 700689** Fastening screw, blunt, for worm of No. 24730
- 742** Positioning screw for No. 124612
- 700772** Fastening screw for No. 22099
- 780** Hinge screw for No. 124610
- 700798** Hinge screw for No. 124611
- 701000** Fastening screw for No. 124608
- 701228** Fastening screw for No. 124614
- 701269** Fastening screw for No. 124593
- 701515** Nut for No. 100221
- 2087** Washer for No. 124612
- 21030** Stop tripping segment for No. 124586
- 22093** Knife carrier for No. 48666
- 22099** Knife holder pinion stud bracket for No. 48666
- 22111** Needle plate insert for No. 48666
- 22693** Knife cam
- ★ **22702** Roller for No. 124586
(Orders should specify the number indicated on the face side: 1 = 9.84 mm, or .3873"; 2 = 9.86 mm, or .3881"; 3 = 9.88 mm, or .3889" dia.)
- 22858** Thread nipper tripping segment for No. 124586
- 24590** Roller stud for No. 22702
- 24608** Slide plate for No. 124588
- 24730** Worm gear assembly, w/
No. 700510 Fastening screw for worm wheel
No. 700680 Fastening screw, pointed, for worm
No. 700689 Fastening screw, blunt, for worm
- 48666** Needle plate, complete, consisting of Nos. 512; 700772; 22093; 22099; 22111; 48668; 101501
- 48668** Needle plate for No. 48666
- 69479** Needle bearing, front, for No. 124594
- 80220** Tension spring for No. 124608
- 100002** Fastening screw for No. 124607
- 100030** Fastening screw for No. 24608
- 100150** Hinge screw for No. 124596
- 100151** Fastening screw for No. 124594
- 100152** Fastening screw for No. 124600
- 100153** Fastening screw for No. 124601
- 100221** Regulating screw for No. 124588
- 101501** Nut for No. 700772
- 124139 x 37 x 19** Work clamp, w/work presser plate, complete, consisting of Nos. 124588, complete; 124594 x 8, complete; 124602; 124613, complete
- 124586** Feed cam w/
No 700082 Fastening screw for Nos. 21030; 22858
No. 21030 Stop tripping segment
No. 22858 Thread nipper tripping segment
- 124588** Work clamp, complete, consisting of Nos. 701269; 701515; 24608; 100030; 100221; 124590; 124591; 124592; 124593
- 124590** Work clamp frame for No. 124588
- 124591** Reversing mechanism bracket for No. 124588
- 124592** Pressure spring for No. 124588
- 124593** Work clamp face plate for No. 124588
- 124594 x 8** Cam stud reversing mechanism, complete, consisting of Nos. 69479; 100150; 100151; 100152; 100153; 124595; 124596; 124599 x 8; 124600; 124601; 124602; 124603
- 124595** Cam stud bracket for No. 124594
- ★ **124596** Reversing lever for No. 124594
- 124599 x 8** Cam stud for No. 124594
- 124600** Spur gear for No. 124594
- 124601** Washer for No. 124594
- 124602** Needle bearing, rear, for Nos. 124594; 124613
- 124603** Pressure spring for No. 124594
- 124605** Clamp foot lifting lever
- 124606** Bracket for No. 124605
- 124607** Stop for No. 124596
- 124608** Starting lever interlocking mechanism, complete, consisting of Nos. 700545; 742; 780; 700798; 2087; 80220; 124609; 124610; 124611; 124612
- 124609** Bracket for No. 124608
- 124610** Latch for No. 124608
- 124611** Locking lever for No. 124608
- 124612** Torsion spring for No. 124608
- 124613 x 37 x 19** Work presser plate, complete, consisting of Nos. 701228; 124614 x 37 x 19; 124615
- 124614 x 37 x 19** Work presser plate, for No. 124613
- 124615** Bearing bracket for No. 124613

**Table of Organizational Parts
PFAFF 3335-0-317/1
through /32**

1) Table of Subclass Varieties of the

(For standard parts see page IX)

Part Name	/1	/2	/3	/4	/5
Work clamp, w/ work presser plate, complete	124139 x 37 x 19	124139 x 47 x 24	124165 x 40 x 11	124139 x 40 x 28	124139 x 47 x 15,5
Cam stud reversing mechanism, complete	124594 x 8	124594 x 8	124594 x 4	124594 x 8	124594 x 8
Cam stud	124599 x 8	124599 x 8	124599 x 4	124599 x 8	124599 x 8
Work presser plate, complete	124613 x 37 x 19	124613 x 47 x 24		124613 x 40 x 28	124613 x 47 x 15,5
Work presser plate	124614 x 37 x 19	124614 x 47 x 24	124623 x 40 x 11	124614 x 40 x 28	124614 x 47 x 15,5
Worm gear assembly, w/ set screws	24730	124086	24730	124086	124086
Knife cam	22693	124085	22693	124085	124085
Feed cam, w/ tripping segments and tripping segment set screws	124586	124616	124619	124624	124627
Thread nipper tripping segment	22858	24780	22858	24780	24780
Feed cam roller	²⁾ ★ 22702	²⁾ ★ 22702	²⁾ ★ 22702	²⁾ ★ 22702	²⁾ ★ 22702
Roller stud	24590	24590	24590	24590	24590

Part Name	/19	/20	/21	/22	/23
Work clamp, w/ work presser plate, complete	124139 x 48 x 30	124139 x 37 x 21	124139 x 43 x 22	124845 x 40,4 x 13,6 x 31,4	124849
Cam stud reversing mechanism, complete	124594 x 8	124594 x 8	124594 x 8	124594 x 8	124594 x 4
Cam stud	124599 x 8	124599 x 8	124599 x 8	124599 x 8	124599 x 4
Work presser plate, complete	124613 x 48 x 30	124613 x 37 x 21	124613 x 43 x 22	124665 x 40,4 x 13,6 x 31,4	
Work presser plate	124614 x 48 x 30	124614 x 37 x 21	124614 x 43 x 22	124666 x 40,4 x 13,6 x 31,4	124668
Worm gear assembly, w/ set screws	124086	124086	24731	24771	24731
Knife cam	124085	124085	22573	24770	22573
Feed cam, w/ tripping segments and tripping segment set screws	124655	124658	124661	124664	124667
Thread nipper tripping segment	24780	24780	22858	24780	22858
Feed cam roller	²⁾ ★ 22702	²⁾ ★ 22702	³⁾ 21065	²⁾ ★ 22702	³⁾ 21065
Roller stud	24590	24590	124150	24590	124150

¹⁾ To convert a machine from one variety to another one listed in this table, compare both varieties and order the parts accordingly.
²⁾ Orders should specify the number indicated on the face side: 1 = 9.84 mm, or .3873"; 2 = 9.86 mm, or .3881".
³⁾ Orders should specify the number of dots on the face side: 1 x = 12.70 mm, or .4999" dia.; 2 x = 12.72 mm, or .5008" dia.
★ See obsolete parts on page IX

the Pfaff 3335-0-317

(page VIII)

Variety and Part Number								
/6	/7	/8	/9	/10	/11	/12	/14	/15
124165 x 43 x 12	124139 x 38 x 16,5	124139 x 48 x 23	124139 x 49 x 21	124139 x 32 x 26	124139 x 45 x 16	124139 x 48 x 28	124165 x 34 x 12	124139 x 42 x 16
124594 x 4	124594 x 8	124594 x 8	124594 x 8	124594 x 8	124594 x 8	124594 x 8	124594 x 4	124594 x 8
124599 x 4	124599 x 8	124599 x 8	124599 x 8	124599 x 8	124599 x 8	124599 x 8	124599 x 4	124599 x 8
	124613 x 38 x 16,5	124613 x 48 x 23	124613 x 49 x 21	124613 x 32 x 26	124613 x 45 x 16	124613 x 48 x 28		124613 x 42 x 16
124623 x 43 x 12	124614 x 38 x 16,5	124614 x 48 x 23	124614 x 49 x 21	124614 x 32 x 26	124614 x 45 x 16	124614 x 48 x 28	124623 x 34 x 12	124614 x 42 x 16
24730	124086	124086	124086	24730	124086	124086	24730	24730
22693	124085	124085	124085	22693	124085	124085	22693	124085
124630	124632	124635	124638	124641	124644	124647	124650	124652
22858	24780	24780	24780	22858	24780	24780	22858	22858
²⁾ ★ 22702	²⁾ ★ 22702	²⁾ ★ 22702	²⁾ ★ 22702	²⁾ ★ 22702	²⁾ ★ 22702	²⁾ ★ 22702	²⁾ ★ 22702	²⁾ ★ 22702
24590	24590	24590	24590	24590	24590	24590	24590	24590

Variety and Part Number								
/24	/25	/26	/27	/28	/29	/30	/31	/32
124139 x 29 x 28	124139 x 47 x 24	124139 x 22 x 25	124139 x 21 x 21	124139 x 28 x 24	124139 x 28 x 17	124139 x 27 x 11	124845 x 35,5 x 11,5 x 34	124139 x 34 x 34
124594 x 8	124594 x 8	124594 x 8	124594 x 8	124594 x 8	124594 x 8	124594 x 8	124594 x 8	124594 x 8
124599 x 8	124599 x 8	124599 x 8	124599 x 8	124599 x 8	124599 x 8	124599 x 8	124599 x 8	124599 x 8
124613 x 29 x 28	124613 x 47 x 24	124613 x 22 x 25	124613 x 21 x 21	124613 x 28 x 24	124613 x 28 x 17	124613 x 27 x 11	124665 x 35,5 x 11,5 x 34	124613 x 34 x 34
124614 x 29 x 28	124614 x 47 x 24	124614 x 22 x 25	124614 x 21 x 21	124614 x 28 x 24	124614 x 28 x 17	124614 x 27 x 11	124666 x 35,5 x 11,5 x 34	124614 x 34 x 34
24730	24771	24730	24730	24730	24730	24731	24730	24730
22693	24770	22693	22693	22693	22693	22573	22693	22693
124669	122618	122619	122620	122621	122622	122623	122624	122625
22858	24780	22858	22858	22858	22858	22858	22858	22858
²⁾ ★ 22702	²⁾ 22702	²⁾ 22702	²⁾ 22702	²⁾ 22702	²⁾ 22702	³⁾ 21065	²⁾ 22702	²⁾ 22702
24590	24590	24590	24590	24590	24590	124150	24590	24590

order the parts that differ.

r .3881" ; 3 = 9.88 mm, or .3889" dia.

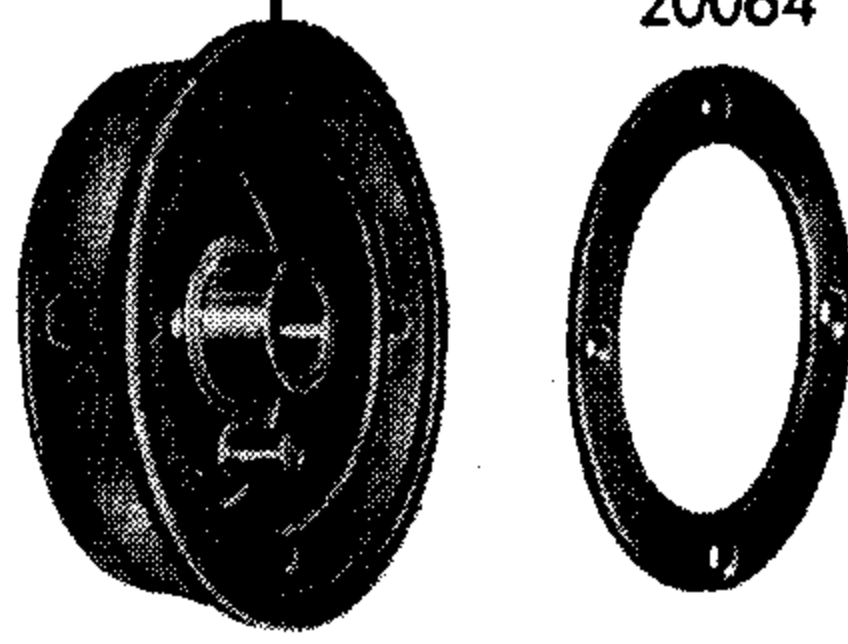
nm, or .5007" dia.; 3x = 12.74 mm, or .5015" dia.; 4x = 12.76 mm, or .5023" dia.

**Obsolete Parts
PFAFF 3335-0**

20112 vollst.

20057

20064



1759

2160

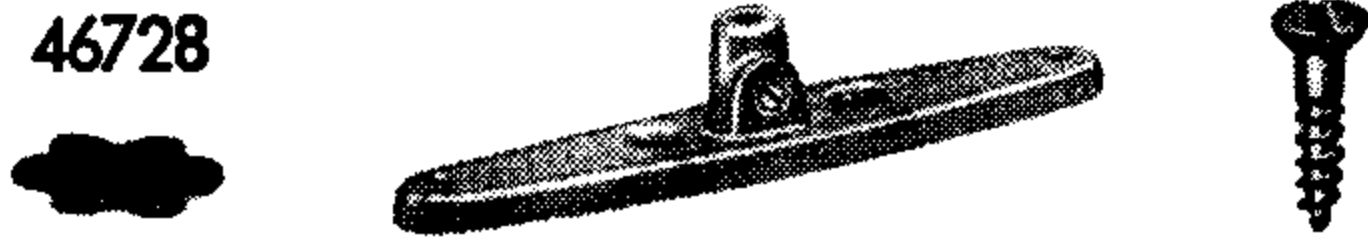
2161



46728

44196

1411



24035 vollst.

2280 vollst.

24269

124596

6662

2139

2138

495599

100026

249

22991

22531

604

124598

2280 vollst.

2133



2513

101795

701329

700169

700798

1317

101796

69809



803

273

407

701316

700785



31395 vollst.

31320

1032

28540

31989

700717

31990

1401

1448

521

31318

31988



31987



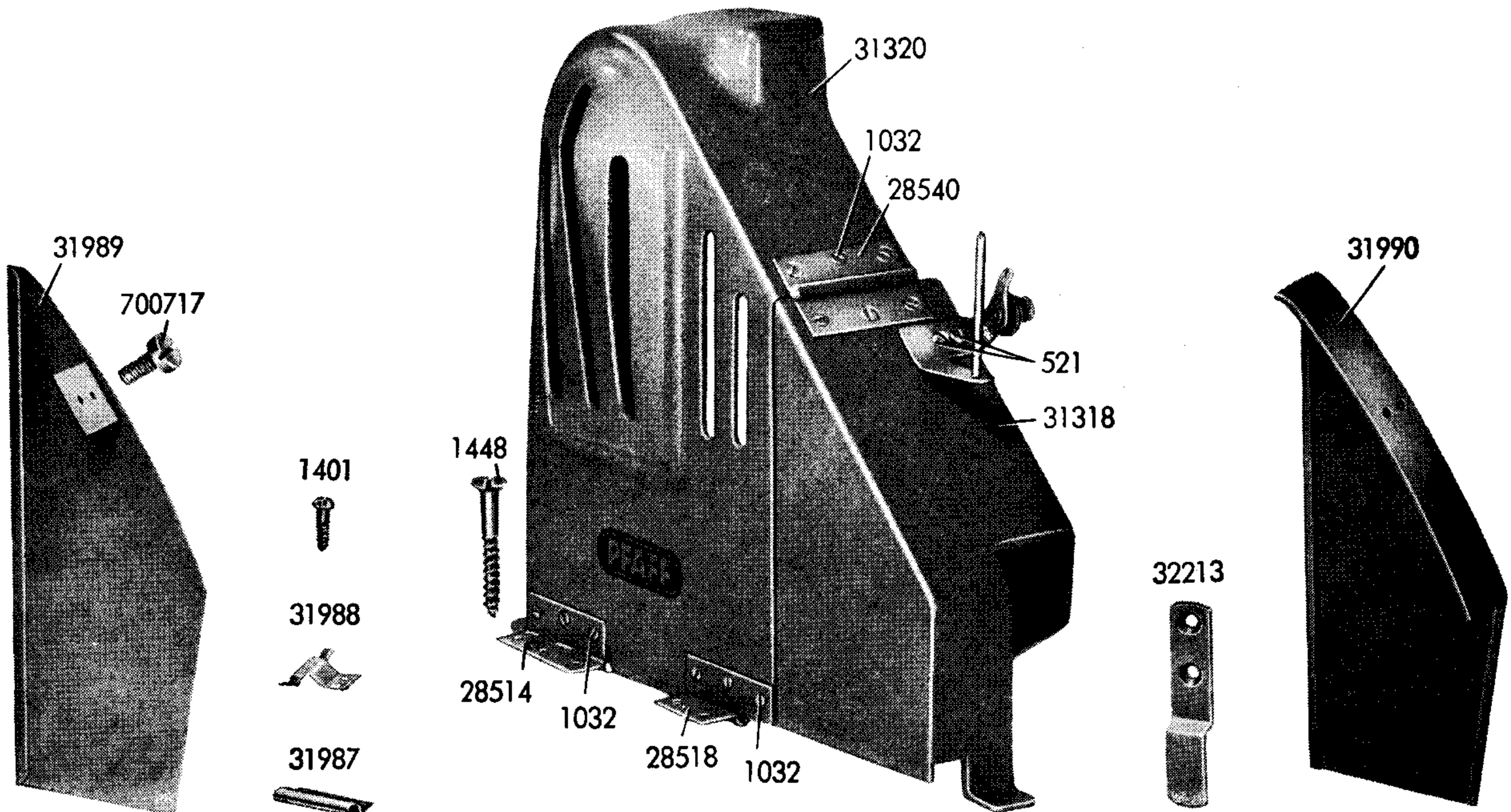
28514

1032

28518

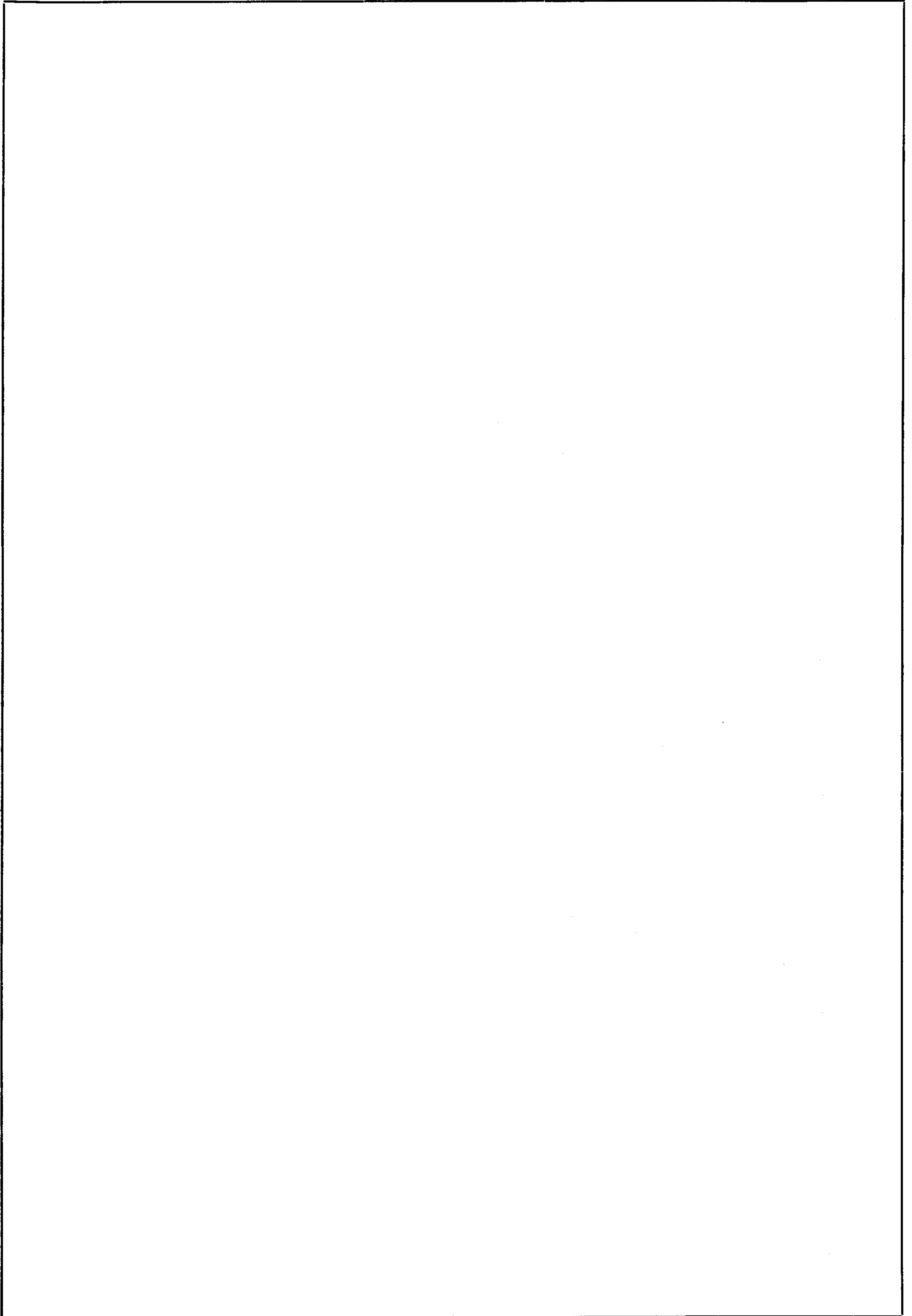
1032

32213



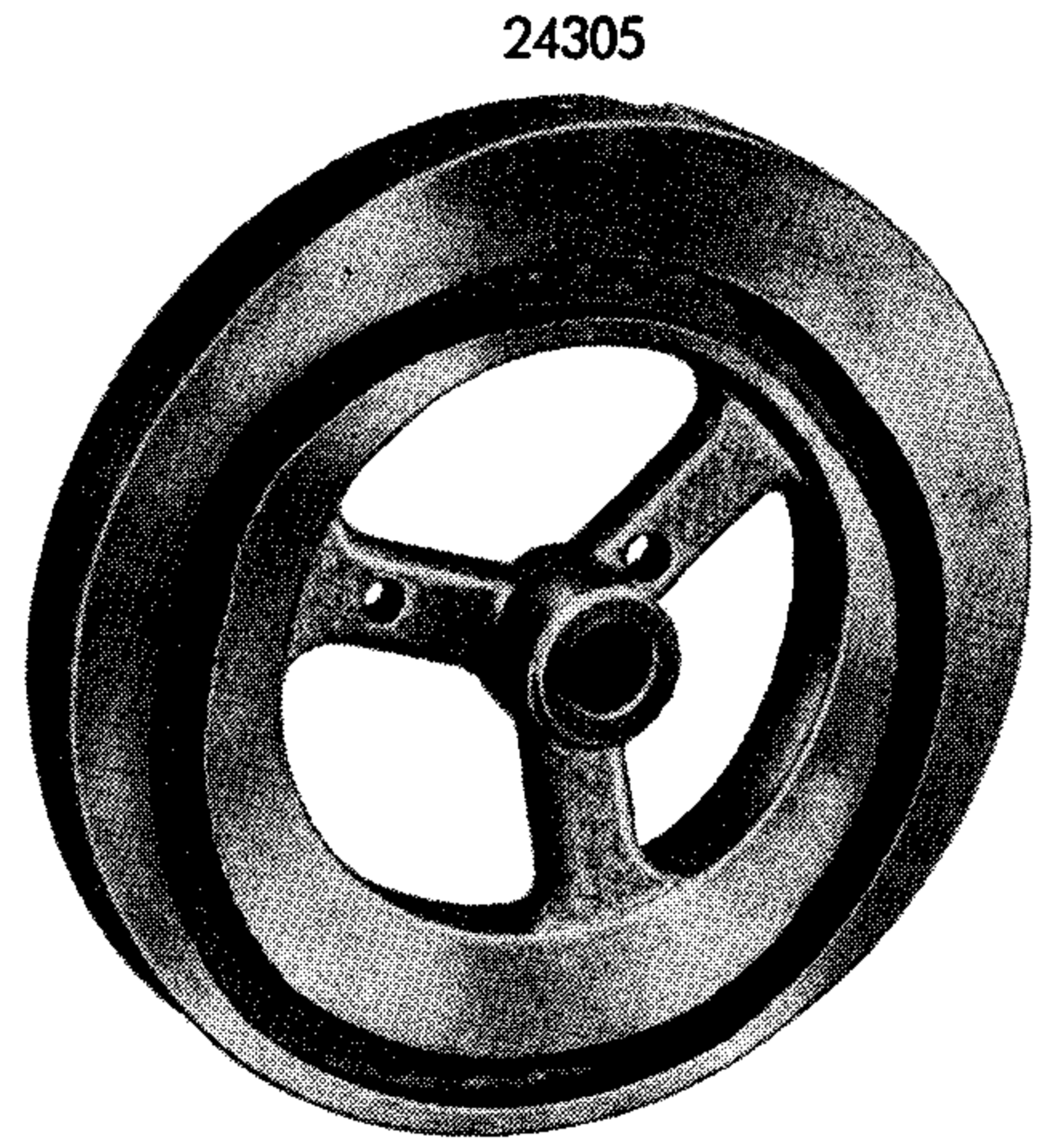
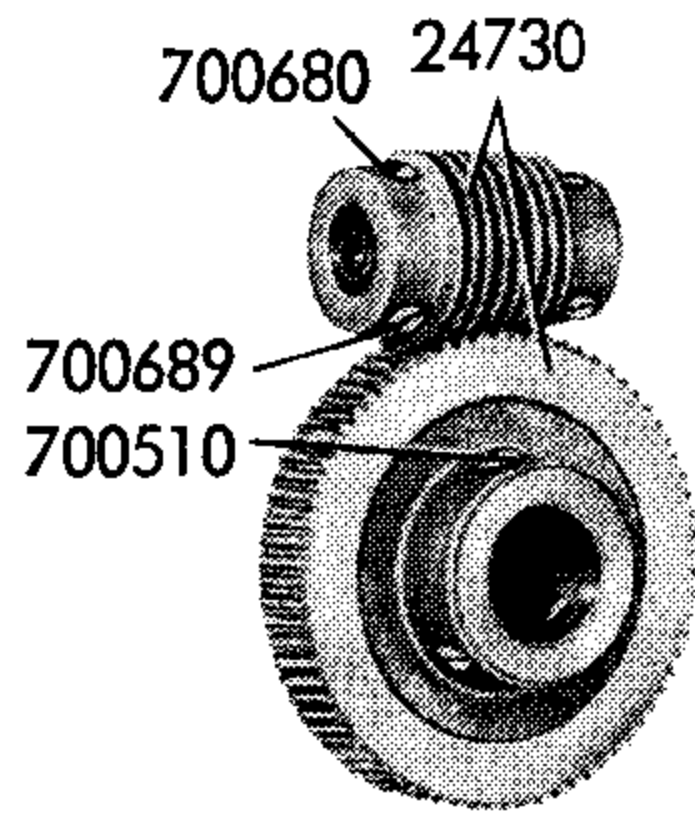
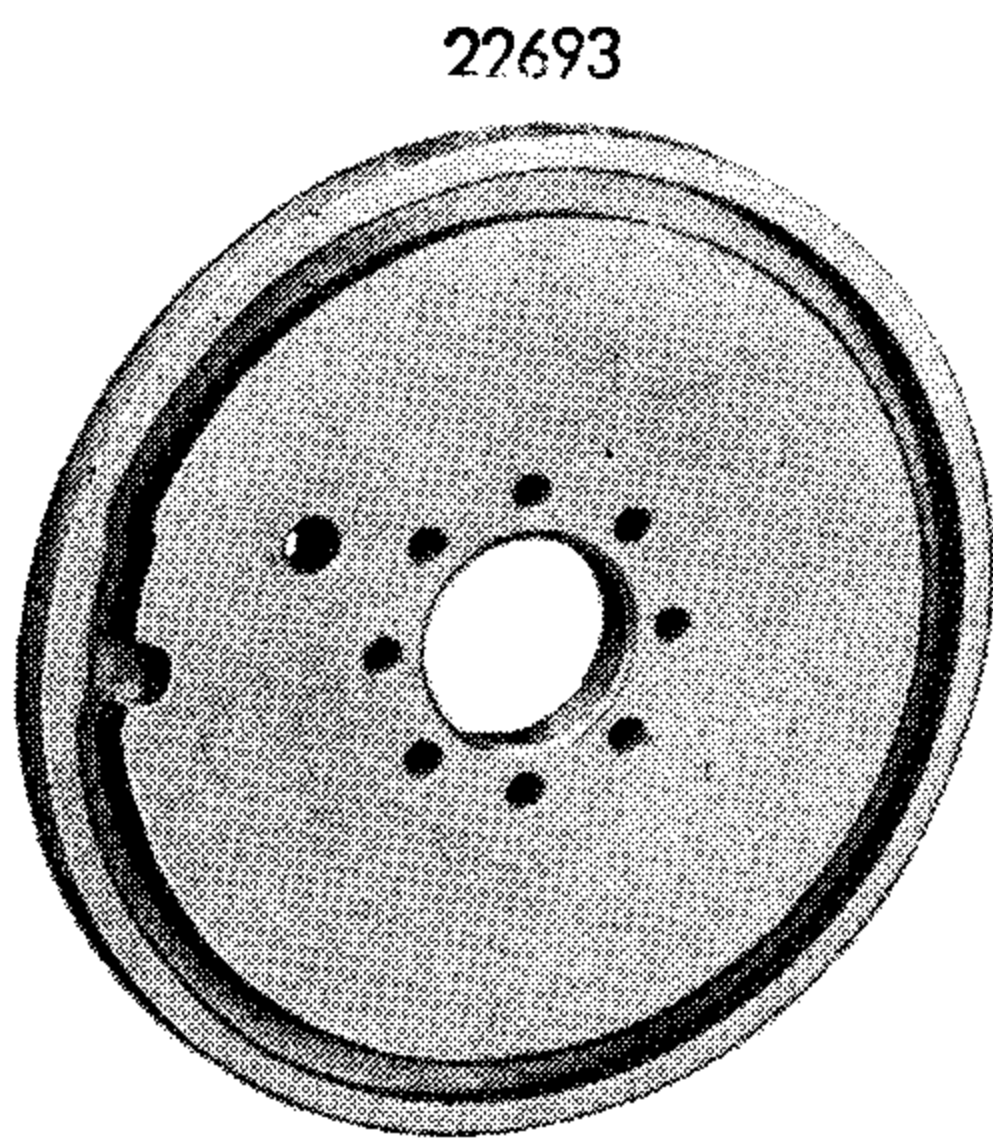
The number marked with an asterisk is no additional order number, but merely an aid to facilitate locating the obsolete part in this catalogue. Your orders should indicate the bold-type order number of the parts desired.

- (★ 701269) **700169** Fastening screw (taper head for No. 24616
- (★ 100086) **249** Stop screw for No. 2133
- (★ 701378) **273** Fastening screw (9,4 mm, or .37" long) for thread unwinder base
- (★ 153) **407** Fastening screw for No. 46566
- (★ 701286) **521** Fastening screw for thread tension No. 31395
- 604** Fastening screw for No. 22531
- (★ 701286) **700717** Fastening screw for No. 31989
- (★ 700230) **700785** Fastening screw (M5 thread) for No. 24598
- (★ 700565) **700798** Hinge screw (8 mm, or 5/16" head dia.) for No. 22975
- (★ 701378) **803** Fastening screw (9.0 mm, or .35" long) for thread unwinder base
- 1032** Fastening screw for Nos. 28514; 28518; 28540
- (★ 700152) **701316** Fastening screw (M 4 thread) for No. 24582
- (★ 700230) **701316** Fastening screw (M 4 thread) for No. 24583
- (★ 100213) **1317** End screw for No. 22313
- (★ 701387) **701329** Fastening screw (M 4 thread) for No. 24596
- 1401** Wood screw for Nos. 31987; 31988
- (★ 1417) **1411** Wood screw for No. 44196
- 1448** Wood screw for Nos. 28514; 28518
- (★ 598) **1759** Slide block stud for No. 6569
- (★ 6848) **2133** Bobbin case latch slide for No. 2280
- (★ 6849) **2138** Bobbin case latch lever for No. 2280
- (★ 101798) **2139** Hinge pin for No. 2280
- (★ 6644) **2160** Washer for No. 6569
- (★ 589) **2161** Positioning pin for No. 6569
- (★ 6847) **2280** Bobbin case latch complete, consisting of Nos. 2133; 2138; 2139
- (★ 101885) **2513** Positioning pin (small dia: 3.3 mm, or .13") for No. 22042
- (★ 6892) **6662** Tension spring for No. 24035
- (★ 20658) **20057** Driving pulley for No. 20112
- (★ 20659) **20064** Cap ring for No. 20057
- (★ 20658) **20112** Driving pulley, complete, (w/ 4 tapped holes for attaching No. 20064)
- (★ 22530) **22531** Catch for No. 22530
- (★ 24424) **22991** Bobbin case for No. 24035
- (★ 24423) **24035** Bobbin case, complete, (replaced by No. 24423)
- (★ 24622) **24269** Work clamp foot bracket (6 mm, or 1/4" thick) for No. 24615
- (★ 32300) **28514** Hinge for No. 31320
- (★ 32300) **28518** Hinge for No. 31320
- 28540** Hinge for Nos. 31318; 31320
- (★ 31986) **31318** Belt guard section (replaced by Nos. 701286; 1435; 31986, complete; 32215; 32218; 32302; 32303, complete; 69047)
- (★ 31986) **31320** Belt guard section (replaced by Nos. 701286; 1435; 31986, complete; 32215; 32218; 32302; 32303, complete; 69047)
- (★ 32299) **31395** Belt guard, w/ thread tension, complete, (replaced by Nos. 701286; 1435; 31986, complete; 32215; 32218; 32302; 32303, complete; 69047)
- (★ 32300) **31987** Position spring for No. 31986
- (★ 32300) **31988** Position spring for No. 31986
- (★ 32302) **31989** Baffle plate (1st version) for No. 32299; (replaced by Nos. 701286; 31990; 32218)
- (★ 32302) **31990** Baffle plate (2nd version), w/ 35 mm (1 3/8")-wide mounting surface for No. 32299
- (★ 32300) **32213** Position strap for No. 31986
- (★ 29960) **44196** Thread unwinder base
- (★ 46694) **46728** Friction washer (felt) for No. 44196
- (★ 6571) **69809** Plug for borehole, for No. 6571
- 100026** Fastening screw for No. 124598
- (★ 24621) **101795** Fulcrum stud, upper, for No. 24597
- (★ 22702) **101796** Roller (10 mm, or 25/64" outside dia.) for feed cam
- (★ 124596) **124596** Reversing lever (1st version) for No. 124594; (replaced by No. 124596, 2nd version)
- (★ 124596) **124598** Toothed segment for No. 124594; (replaced by No. 124596; 2nd version)
- (★ 24510) **495599** Spacer for No. 24510
- (★ 101824) **6531** Positioning pin (not ill.), (small dia: 6.5 mm, or 1/4"), for cylinder arm No. 24578



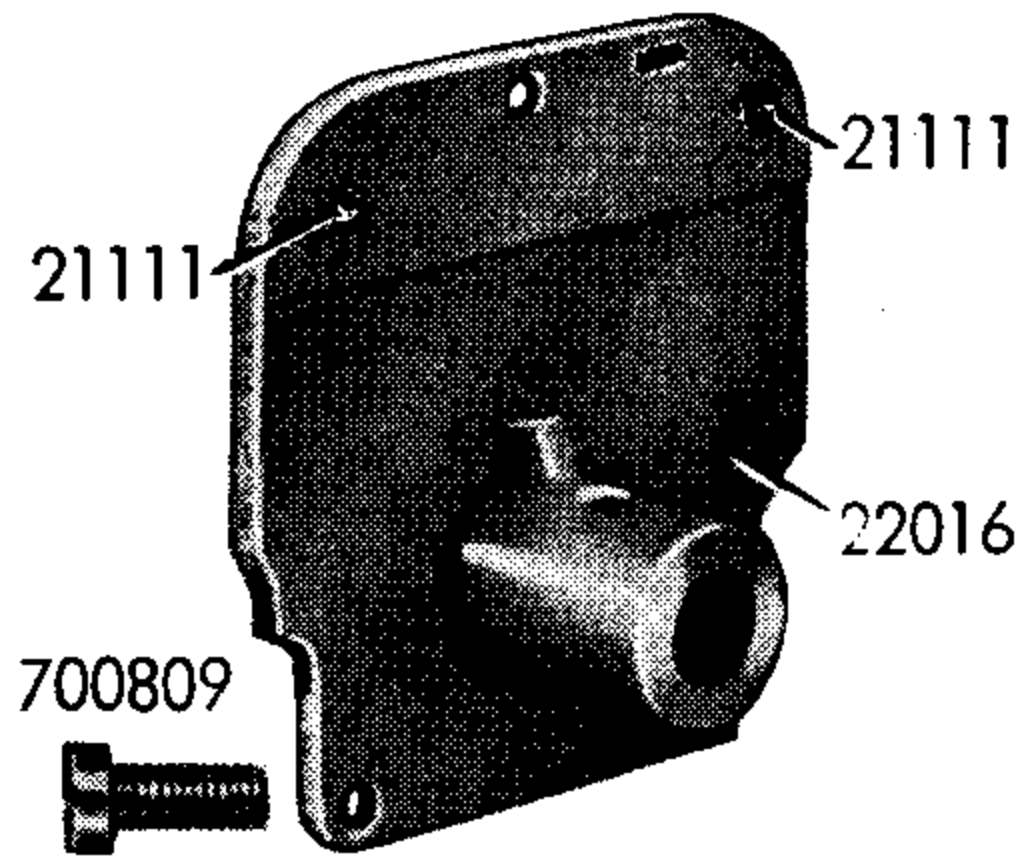
X

**Organizational Parts
PFAFF 3335-300
(obsolete)**

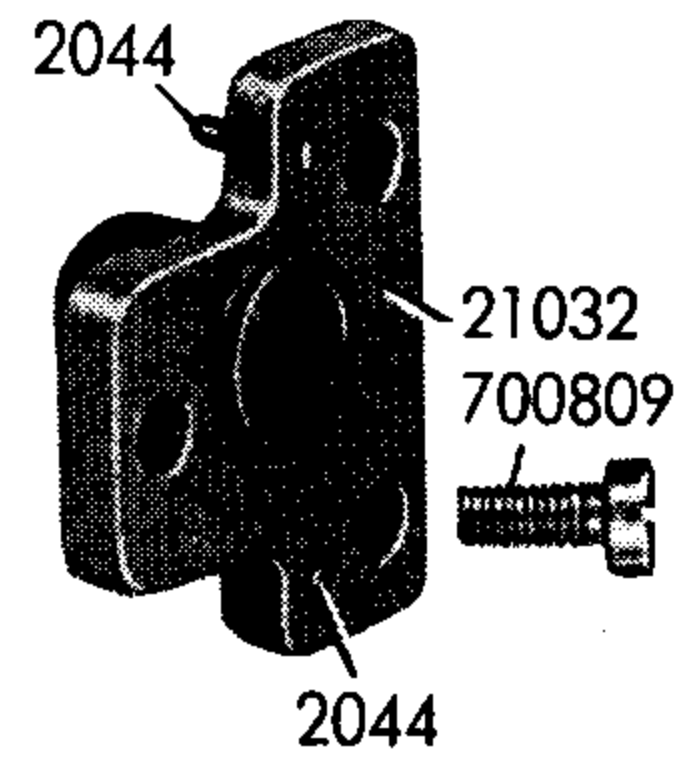
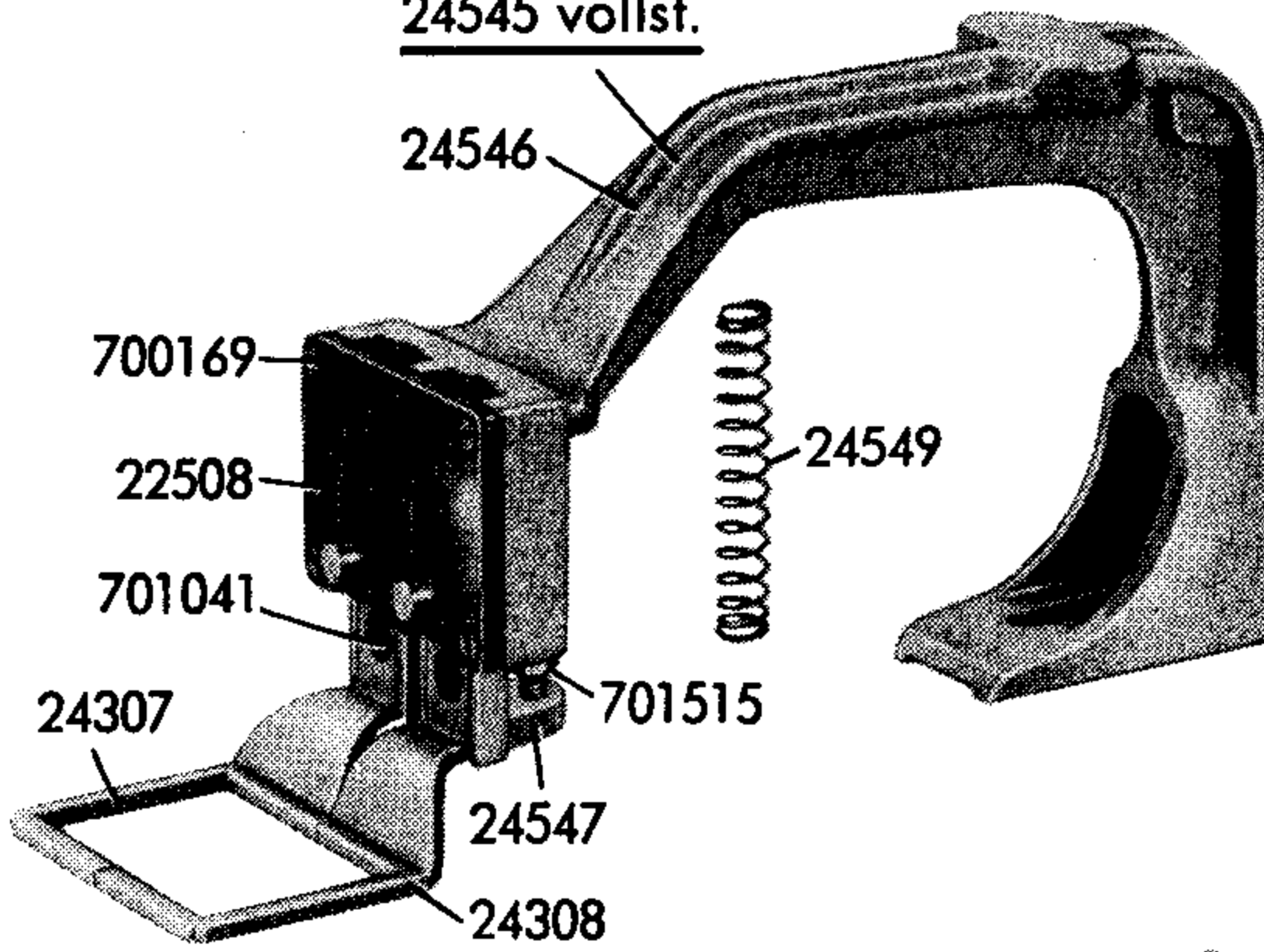


24565 vollst.

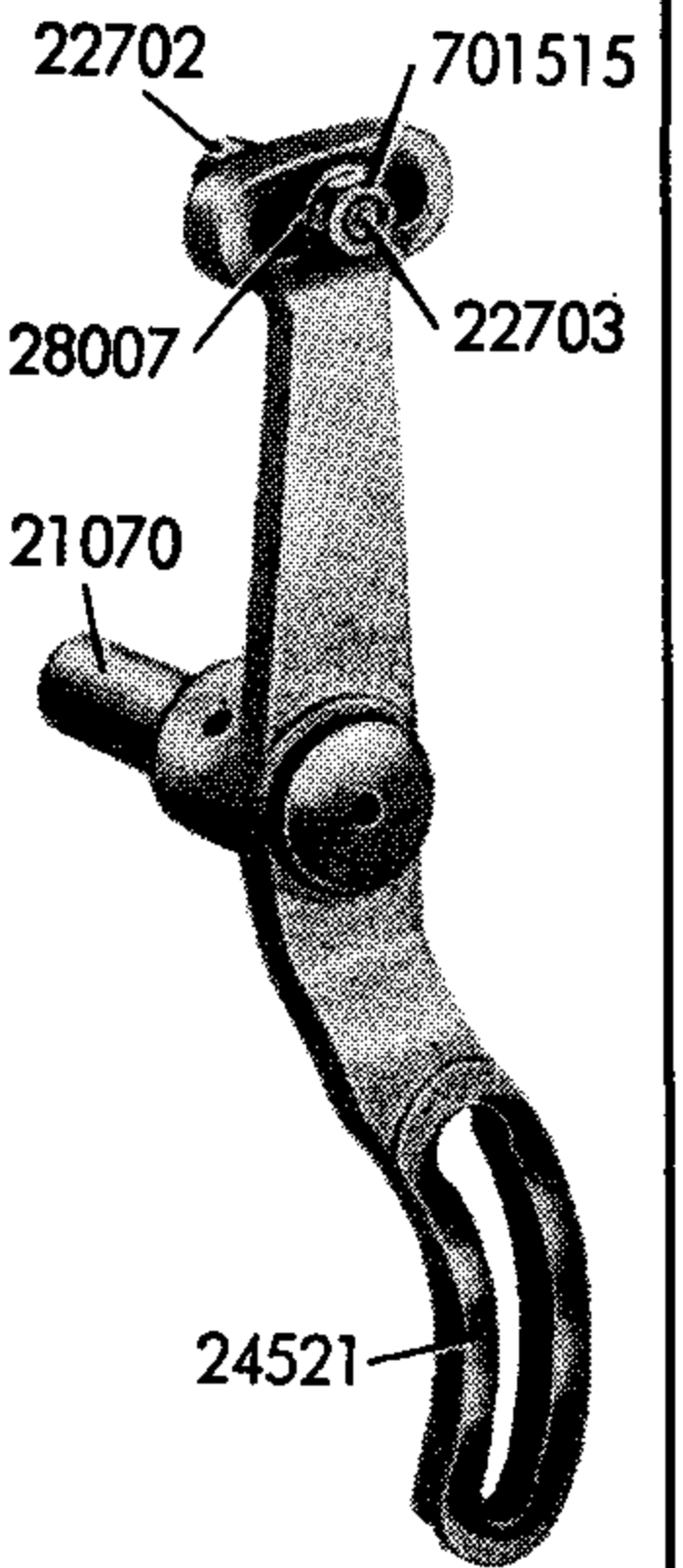
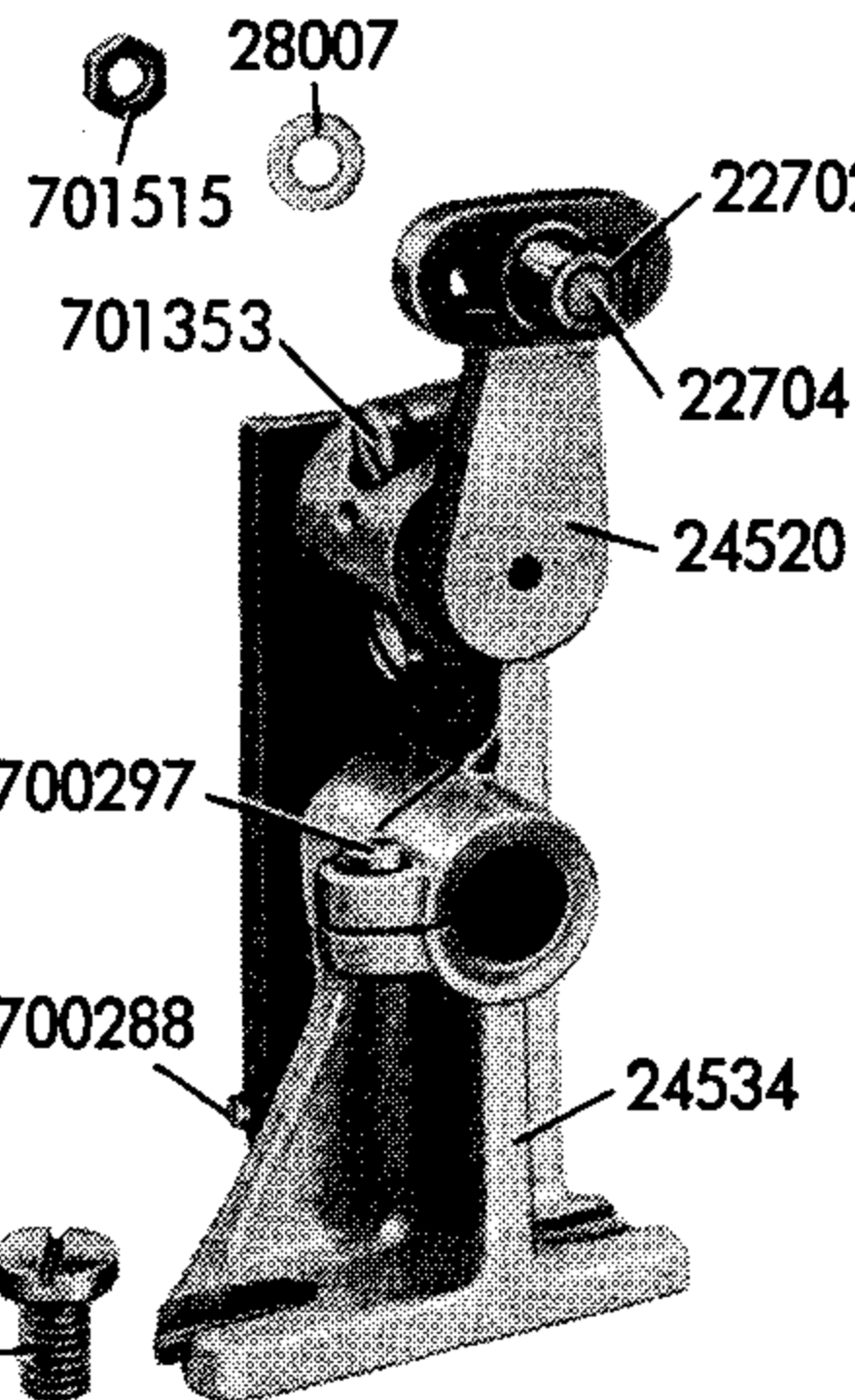
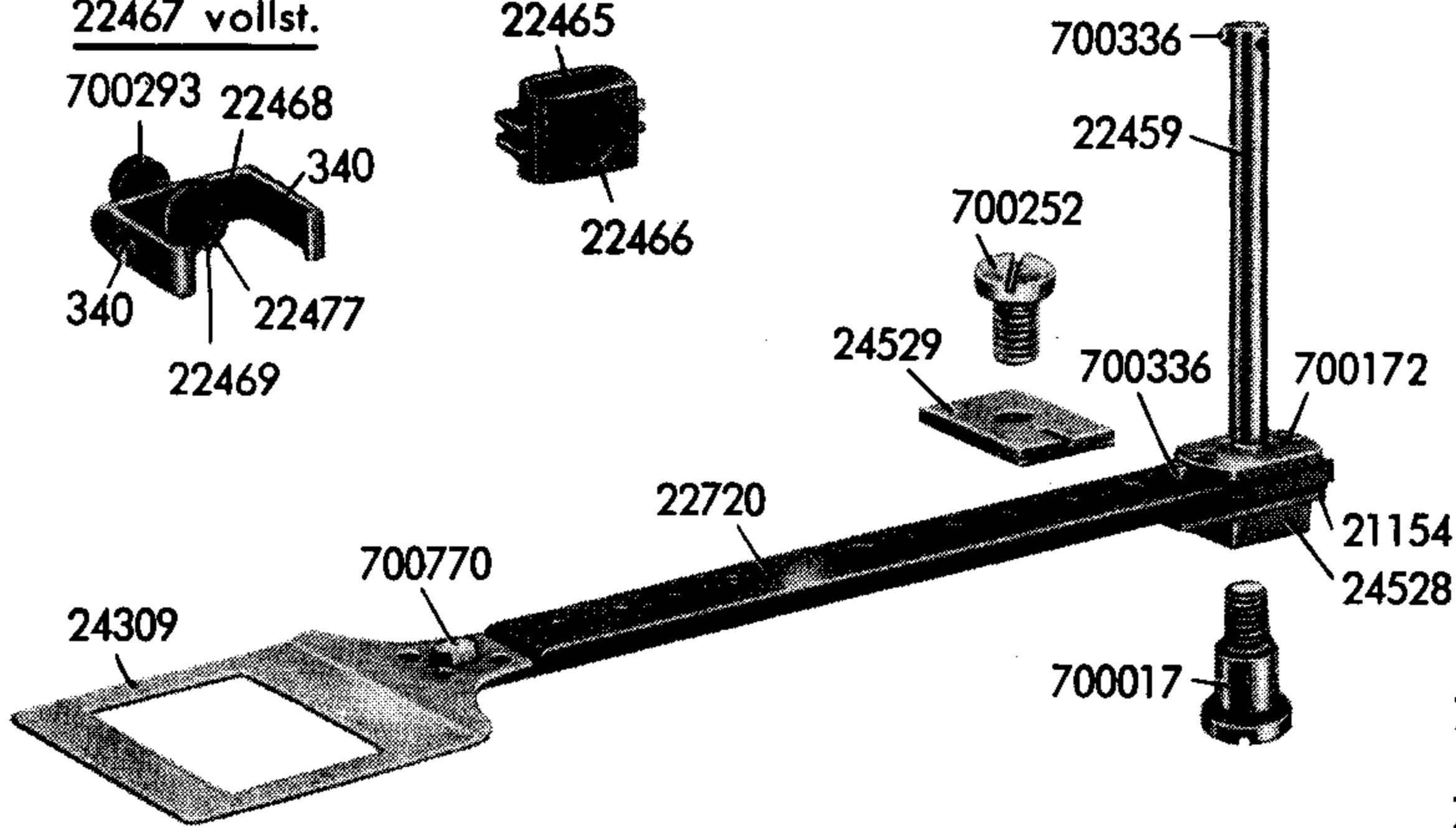
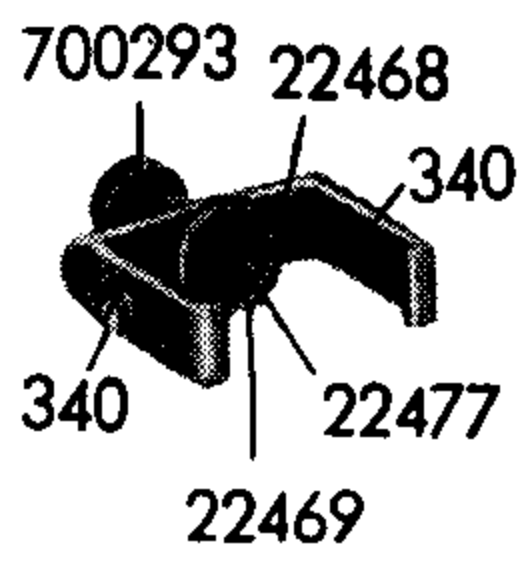
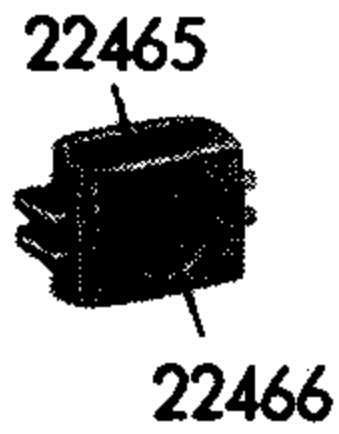
24545 vollst.



700809



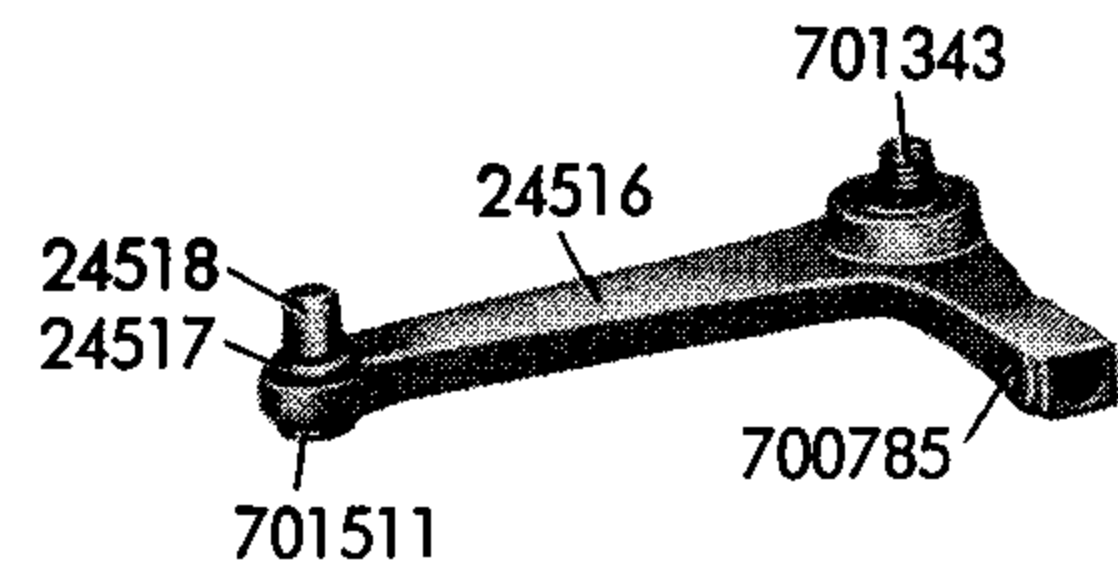
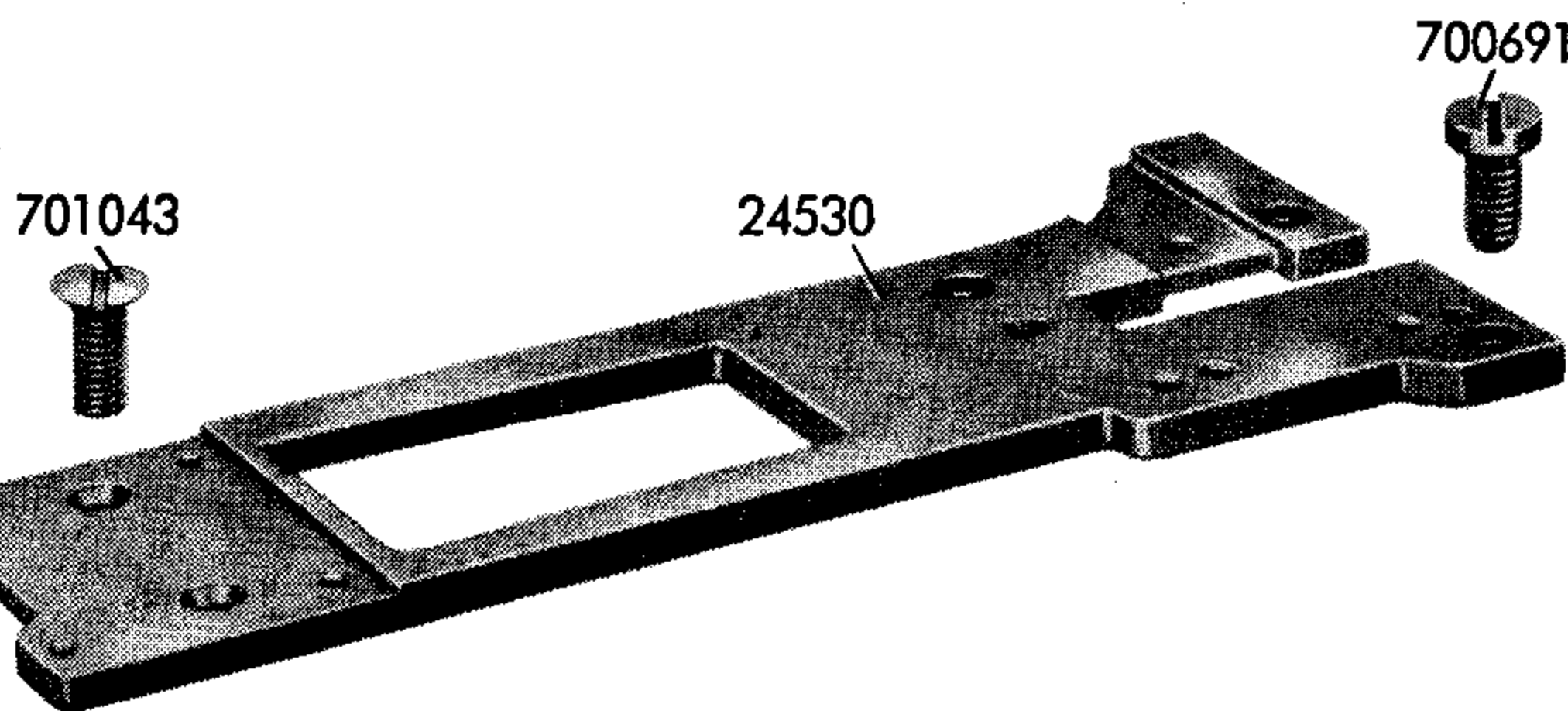
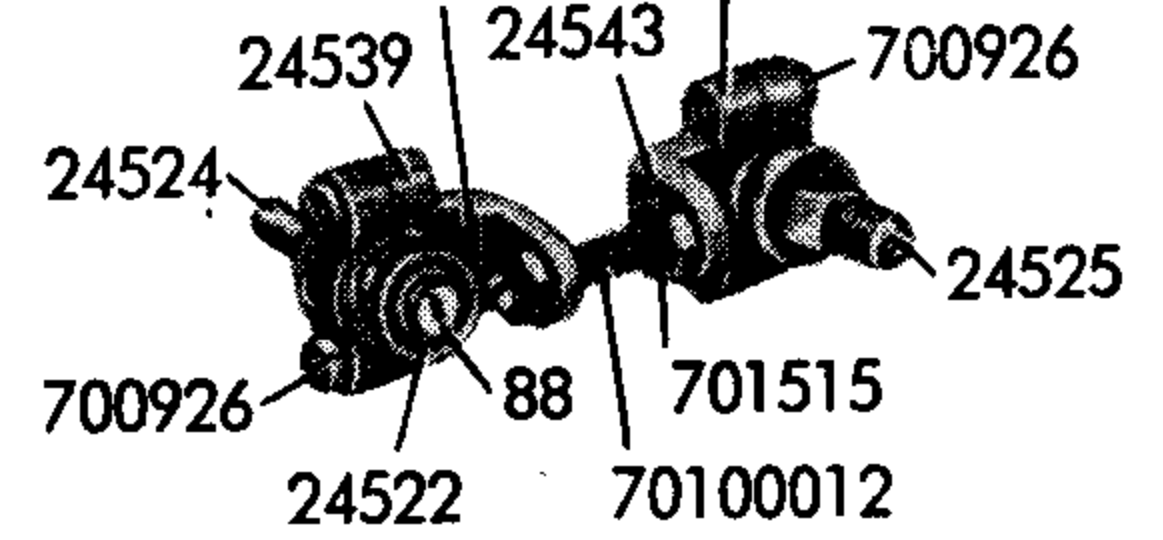
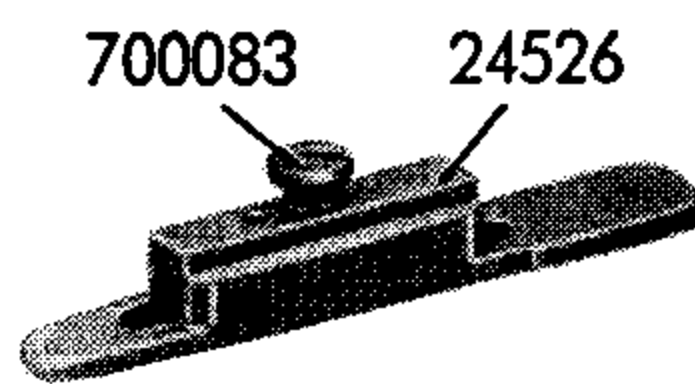
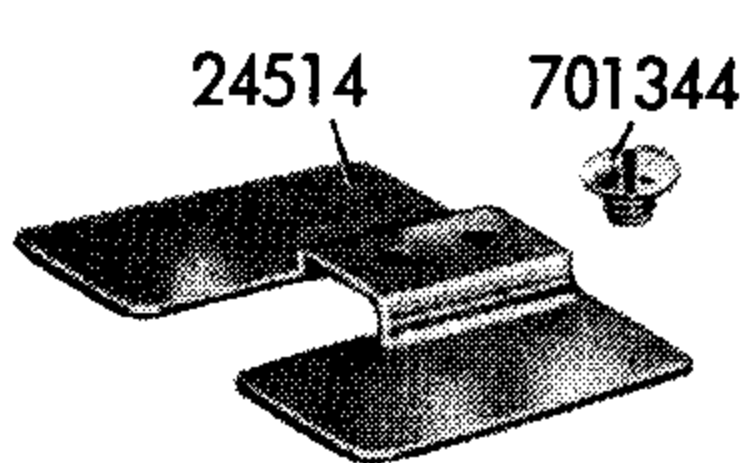
22467 vollst.



24537 vollst.

24538 vollst.

24542 vollst.



22058



- 700017** Hinge screw for No. 24528
700083 Fastening screw for No. 24526
88 Fastening screw for No. 24522
700169 Fastening screw for No. 22508
700172 Fastening screw for No. 22459
700252 Fastening screw for Nos. 24529; 24534
700288 Fastening screw for No. 24191 and stop screw for No. 24520 (for large tacks)
700293 Thumb screw for No. 22467
700297 Binding screw for No. 24534
700336 Fastening screw for No. 21154 and stop screw for No. 22459
340 Positioning screw for No. 22467
700510 Fastening screw for worm wheel of No. 24730
700680 Fastening screw, pointed, for worm of No. 24730
700689 Fastening screw, blunt, for worm of No. 24730
700691 Fastening screw for No. 24530
700770 Fastening screw for No. 24309
700785 Fastening screw for No. 24524
700809 Fastening screw for Nos. 21032; 22016
700926 Fastening screw for cap of Nos. 24539; 24543
701041 Fastening screw for Nos. 24307; 24308
701043 Fastening screw for No. 24530
701343 Hinge screw for No. 24516
701344 Fastening screw for No. 24514
701353 Fastening screw for bearing cap of No. 24534
701511 Nut for No. 24517
701515 Nut for Nos. 22703; 22704; 70100012 and regulating nut for No. 24549
2044 Positioning pin for No. 21032
2513 Positioning pin for No. 22042 (see page II)
21032 Worm wheel shaft bearing bracket, front
21070 Hinge stud for No. 24521
21083 Tripping dog for No. 22701 (see page III)
21111 Positioning pin for No. 22016
21154 Guide plate for No. 22720
22016 Worm wheel shaft bearing bracket, rear
22058 Shuttle driver shaft
22459 Feed regulator post for No. 22720
22465 Feed regulator swivel for No. 22466
22466 Hinge stud for No. 22459
22467 Swivel clamp for No. 22465, complete, consisting of Nos. 700293; 340; 22468; 22469; 22477
22468 Swivel clamp for No. 22467
22469 Thrust washer for No. 22467
22477 Circlip for No. 22467
22508 Work clamp face plate for No. 24545
22693 Knife cam (as seen from reverse side)
22702 Roller for Nos. 24520; 24521 (Orders should specify the number indicated on the face side: 1 = 9.84 mm, or .3873"; 2 = 9.86 mm, or .3881"; 3 = 9.88 mm, or .3889" dia.)
22703 Roller stud for No. 24521
22704 Roller stud for No. 24520
22720 Feed plate carrier bar for Nos. 24309; 24565
22858 Thread nipper tripping segment for No. 24305
24191 Stop for No. 24520 (For small tacks, to be fitted when mounted on machine)
24305 Feed cam
24307 Work clamp foot, left
24308 Work clamp foot, right
24309 Feed plate
24514 Cover for No. 22720
24516 Feed across driving lever for No. 22720
24517 Roller stud for No. 24518
24518 Roller for No. 24516 (Orders should specify the number of lines on the bevelled face side: 1 line = 8.0 mm, or .3149"; 2 lines = 8.01 mm, or .3153"; 3 lines = 8.02 mm, or .3157" dia.)
24520 Feed regulator
24521 Feed across regulator
24522 Washer (2nd version) for No. 24539
24524 Ball stud for No. 24538
24525 Ball screw stud for No. 24542
24526 Feed across driving block for No. 22720
24527 Guide plate for No. 22720
24528 Slide block for No. 22720
24529 Guide plate for No. 22720
24530 Cylinder arm top cover for No. 24501
24534 Bearing bracket for Nos. 24520; 24521, with No. 700297 Binding screw No. 701353 Fastening screw
24537 Ball joint connection, complete, consisting of Nos. 701515; 24538, complete; 24542, complete; 70100012
24538 Ball joint for No. 24537, complete, consisting of Nos. 88; 24522; 24524; 24539
24539 Ball joint end bearing, w/fastening screw No. 700926, for No. 24538
24541 Guide fork (1st version) for No. 24539
24542 Ball joint for No. 24537, complete, consisting of Nos. 24525; 24543
24543 Ball joint end bearing, w/fastening screw No. 700926, for No. 24542
24545 Work clamp, complete, consisting of Nos. 700169; 701041; 701515; 22508; 24546; 24547; 24549
24546 Work clamp frame for No. 24545
24547 Work clamp foot bracket for No. 24545
24549 Pressure spring for No. 24545
24565 Work clamp, w/work clamp feet, complete, consisting of Nos. 24307; 24308; 24545, complete
24730 Worm gear assembly, w/ No. 700510 Fastening screw for worm wheel No. 700680 Fastening screw, pointed, for worm No. 700689 Fastening screw, blunt, for worm
28007 Washer for No. 701515
70100012 Connecting screw for Nos. 24538; 24542
22000 Armt (not ill.)
24501 Cylinder arm (not ill.)
701063 Fastening screw (not ill.) for No. 24501
6531 Positioning pin (not ill.) for No. 24501

**Table of Organizational Parts
PFAFF 3335-300 through -309
(obsolete)**

1) Table of Organizational Parts for the Sul

(For standard parts see page

Part Name	-300	-301	-302	-303/1
Work clamp, w/ work clamp feet, complete	24565	24566	24567	24568
Work clamp, complete	24545	24545	24545	24296
Work clamp frame	24546	24546	24546	24531
Threaded stud for work clamp frame				22252
Work clamp foot bracket	24547	24547	24547	24269
Pressure spring for work clamp foot bracket	24549	24549	24549	
Pressure spring for work clamp foot bracket, left				24532
Pressure spring for work clamp foot bracket, right				24533
Pressure spring regulating nut	701515	701515	701515	701508
Work clamp foot, left	24307	24286	24291	
Work clamp foot, right	24308	24287	24292	
Work clamp foot				24297
Feed plate carrier bar	22720	22064	22720	22720
Feed plate	24309	24288	24293	24301
Worm gear assembly w/ set screws	24730	24732	24730	24730
Knife cam	22693	22230	22693	22783
Feed cam	24305	24283	24289	24294
Thread nipper tripping segment	22858	22454	22858	22858
Roller for feed regulator and feed across regulator	²⁾ 22702	³⁾ 21065	²⁾ 22702	²⁾ 22702
Feed across regulator roller stud	22703	21071	22703	22703
Feed regulator roller stud	22704	21064	22704	22704
Clamp foot lifting lever, complete	22859	22859	22859	24298

1) To convert a machine from one subclass to another one listed in this table, compare both subclasses and o
 2) Orders should specify the number indicated on the face side: 1 = 9.84 mm, or .3873"; 2 = 9.86 mm, or .38
 3) Orders should specify the number of dots on the face side: 1 x = 12.70 mm, or .4999" dia.; 2 x = 12.72 mm, c

The Subclasses of the Pfaff 3335

page X)

Subclass and Part Number						
-303/2	-304	-305	-306	-307	-308	-309
24568	24569	24570	24571	24572	24573	24574
24296	24545	24545	24545	24545	24545	24545
24531	24546	24546	24546	24546	24546	24546
22252						
24269	24547	24547	24547	24547	24547	24547
	24549	24549	24549	24549	24549	24549
24532						
24533						
701508	701515	701515	701515	701515	701515	701515
		24316	24321	24326	24331	24336
		24317	24322	24327	24332	24337
24297	24312					
22720	22720	22720	22720	22720	22720	22064
24302	24313	24318	24323	24328	24333	24338
24730	24730	24731	24731	24731	24730	24732
22783	22693	22573	22573	22573	22693	22230
24294	24310	24314	24319	24324	24329	24334
22858	22858	22858	22858	22858	22858	22454
²) 22702	²) 22702	²) 22702	²) 22702	²) 22702	²) 22702	³) 21065
22703	22703	22703	22703	22703	22703	21071
22704	22704	22704	22704	22704	22704	21064
24298	22859	22859	22859	22859	22859	22859

and order the parts that differ.
 or .3881" ; 3 = 9.88 mm, or .3889" dia.
 mm, or .5007" dia.; 3x = 12.74 mm, or .5015" dia.; 4x = 12.76 mm, or .5023" dia.

Numerical Index

3335 1	3335 2	3335 3	3335 4	3335 5	3335 6
Nr. Fig.	Nr. Fig.	Nr. Fig.	Nr. Fig.	Nr. Fig.	Nr. Fig.
11 II	700150 II	273 VI	437 I	687 V	700926 III
700011 VII	700150 III	+ 273 IX	456 II	700689 II	700926 VII
700017 III	700150 V	700277 II	510 I	700689 V	700926 X
700017 X	700150 VI	700288 I	700510 II	700689 VIII	700964 III
19 VII	700150 VII	700288 X	700510 VIII	700689 X	700965 III
29 II	700152 I	700293 X	700510 X	700691 X	700973 VII
700034 VII	700152 III	700297 III	511 II	715 VII	700983 VI
46 II	700152 V	700297 V	512 IV	717 III	700987 V
58 II	700152 VI	700297 X	512 VIII	700717 I	700988 V
700058 I	153 II	700323 III	+ 521 IX	+ 700717 IX	700990 III
700058 III	153 III	700335 V	700545 III	729 I	700991 V
62 VI	153 VI	700336 I	700545 VIII	737 VI	700991 VII
64 I	700153 I	700336 X	589 V	742 VIII	700996 V
700070 V	+ 700169 IX	340 X	700592 III	700770 X	700997 VII
73 I	700169 X	700352 III	598 V	700772 IV	701000 III
73 VI	700172 X	359 VI	+ 604 IX	700772 VI	701000 VIII
73 VIII	700173 I	363 VI	624 I	700772 VIII	701029 IV
700073 I	700173 IV	364 VI	700654 III	780 VIII	701031 VII
700073 VI	219 I	700364 II	700655 III	+ 700785 IX	+ 1032 IX
700073 VII	700230 III	700364 III	700659 III	700785 X	701039 VII
82 VI	700230 IV	700364 VII	700660 III	700798 VI	701041 IV
700082 II	700230 V	366 VI	700668 VII	700798 VIII	701041 VII
700082 VII	700243 II	700366 VII	700680 II	+ 700798 IX	701041 X
700082 VIII	+ 249 IX	367 II	700680 VIII	700799 IV	701043 X
700083 X	250 V	392 I	700680 X	+ 803 IX	701063 IV
87 II	700252 II	405 II	700681 I	700809 III	701063 X
88 X	700252 IV	407 III	700681 IV	700809 X	701099 IV
94 I	700252 VII	+ 407 IX	700681 VII	700865 II	701154 III
700150 I	700252 X	431 VI	700686 III	905 I	701195 VI

Numerical Index

3335 7	3335 8	3335 9	3335 10	3335 11	3335 12
Nr. Fig.	Nr. Fig.	Nr. Fig.	Nr. Fig.	Nr. Fig.	Nr. Fig.
701199 III	701508 IV	701662 VII	2531 I	6616 I	10107 VI
1207 III	701508 V	701680 VII	2536 I	6632 I	10181 I
701216 III	701508 44a	701705 III	2536 III	6640 I	10183 I
701228 VIII	701511 III	701705 V	3005 I	6644 V	11126 III
1241 I	701511 VII	1759 III	4531 VI	+ 6662 IX	11126 V
701269 IV	701511 X	+ 1759 IX	5005 VI	6694 V	11176 III
701269 VIII	1512 II	1848 II	5125 VI	6764 V	11238 II
701278 IV	1512 V	1849 III	5544 I	6847 V	11903 III
701286 VI	1513 II	1864 III	5548 IV	6848 V	12526 III
+ 701316 IX	701513 VII	2030 V	5548 VII	6849 V	16328 III
+ 1317 IX	701515 II	2044 V	5564 VI	6892 V	17584 III
+ 701329 IX	701515 III	2044 X	5565 VI	7014 I	18358 II
701342 II	701515 VIII	2056 II	5566 VI	7015 I	18502 V
701342 V	701515 X	2061 I	5567 VI	7016 I	20002 II
701343 X	701515 44a	2065 I	5568 VI	7016 4	20030 III
701344 IV	1522 I	2087 VIII	5569 VI	7328 III	+ 20057 IX
701344 X	1529 VI	+ 2133 IX	6219 I	7329 II	20061 II
701353 X	1533 VI	2134 V	6523 I	7329 III	20062 II
701378 VI	1547 II	+ 2138 IX	6525 I	7705 I	20063 II
701386 IV	701548 VII	+ 2139 IX	6526 I	7718 I	+ 20064 IX
701387 IV	701563 V	2160 III	+ 6531 IX	8020 I	20065 III
701397 III	701578 III	+ 2160 IX	6531 X	8021 I	20066 III
+ 1401 IX	701628 VI	2161 III	6568 V	8618 I	20067 III
+ 1411 IX	1635 V	+ 2161 IX	6569 V	8648 I	20069 III
1416 VI	701635 II	2170 III	6570 V	8814 V	20085 III
1417 VI	1636 I	2264 III	6571 V	9149 V	20086 III
1418 VI	701638 II	+ 2280 IX	6601 V	9605 VII	+ 20112 IX
1435 VI	701658 III	+ 2513 IX	6611 I	9624 III	20205 II
+ 1448 IX	701662 III	2513 X	6615 V	10104 I	20265 III

Numerical Index

3335 13	3335 14	3335 15	3335 16	3335 17	3335 18
Nr. Fig.	Nr. Fig.	Nr. Fig.	Nr. Fig.	Nr. Fig.	Nr. Fig.
20269 III	21065 44a	22009 II	22180 VII	22330 II	22513 III
20271 III	21070 X	22016 X	22181 VII	22331 II	22514 I
20272 II	21071 44a	22037 I	22182 VII	22332 II	22530 III
20273 V	21083 X	22042 II	22183 VII	22333 II	+ 22531 IX
20275 II	21093 III	22058 X	22184 VII	22334 II	22533 III
20276 II	21094 III	22059 II	22185 VII	22335 II	22539 4
20335 III	21095 III	22061 V	22187 VII	22388 I	22541 4
20338 I	21097 III	22063 V	22190 VII	22398 I	22542 4
20349 III	21111 II	22064 44a	22191 VII	22450 I	22565 V
20353 III	21111 X	22091 IV	22192 VII	22450 4	22566 V
20353 VII	21134 V	22093 IV	22193 VII	722451 I	722567 4
20361 I	21134 VII	22093 VIII	22194 VII	722451 4	22568 I
20363 I	21137 VII	22099 IV	22195 VII	22452 IV	22569 4
20386 III	21148 VII	22099 VIII	22196 VII	22453 IV	22573 36a
20387 III	21154 X	22104 I	22200 VII	22454 II	22573 44a
20396 III	21164 II	22111 4	22228 II	22454 VII	22586 III
20399 II	21195 II	22111 IV	22230 44a	22454 44a	22672 I
20467 III	21196 III	22111 VIII	22238 III	22455 I	22680 III
20481 III	21202 V	22115 I	22241 IV	22456 I	22681 VII
20565 VI	21208 II	22116 V	22252 IV	22459 X	22682 VII
20658 II	21302 VII	22122 I	22252 44a	22465 X	22683 VII
20659 II	21372 III	22122 4	22286 I	22466 X	22685 VII
21030 II	21372 V	22128 I	22312 II	22467 X	22686 VII
21030 VII	21485 VI	22162 V	22312 4	22468 X	22687 VII
21030 VIII	21486 VI	22171 III	22313 I	22469 X	22688 VII
21032 X	22000 X	22174 VII	22313 4	22477 X	22689 VII
21064 44a	22001 II	22175 VII	22325 I	22506 II	22693 VIII
21065 III	22003 III	22178 VII	22328 II	22508 X	22693 X
21065 36a	22004 III	22179 VII	22329 II	22512 III	22693 36a

Numerical Index

3335 19	3335 20	3335 21	3335 22	3335 23	3335 24
Nr. Fig.	Nr. Fig.	Nr. Fig.	Nr. Fig.	Nr. Fig.	Nr. Fig.
22693 44a	22993 I	24308 44a	24501 X	24532 44a	24569 44a
22701 III	23005 V	24309 X	24502 V	24533 IV	24570 44a
22702 VIII	23019 III	24309 44a	24505 V	24533 44a	24571 44a
22702 X	24006 VII	24310 44a	24506 V	24534 X	24572 44a
22702 36a	+ 24035 IX	24312 44a	24507 V	24535 III	24573 44a
22702 44a	24048 V	24313 44a	24508 V	24536 V	24574 44a
22703 X	24191 X	24314 44a	24509 V	24537 X	24577 II
22703 44a	24254 V	24316 44a	24510 V	24538 X	24578 IV
22704 X	+ 24269 IX	24317 44a	24511 IV	24539 X	24582 V
22704 44a	24269 44a	24318 44a	24512 IV	24541 X	24583 V
22720 X	24283 44a	24319 44a	24513 IV	24542 X	24584 V
22720 44a	24286 44a	24321 44a	24514 X	24543 X	24585 V
22772 III	24287 44a	24322 44a	24515 4	24545 X	24586 III
22773 III	24288 44a	24323 44a	24515 IV	24545 44a	24586 IV
22775 I	24289 44a	24324 44a	24516 X	24546 X	24587 III
22776 4	24291 44a	24326 44a	24517 X	24546 44a	24588 III
22783 44a	24292 44a	24327 44a	24518 X	24547 X	24589 III
22858 VII	24293 44a	24328 44a	24520 X	24547 44a	24590 VIII
22858 VIII	24294 44a	24329 44a	24521 X	24549 X	24590 36a
22858 X	24296 44a	24331 44a	24522 X	24549 44a	24591 III
22858 36a	24297 44a	24332 44a	24524 X	24553 VI	24592 III
22858 44a	24298 44a	24333 44a	24525 X	24554 V	24593 III
22859 44a	24301 44a	24334 44a	24526 X	24557 4	24594 III
22860 I	24302 44a	24336 44a	24527 X	24557 IV	24595 III
22861 I	24305 X	24337 44a	24528 X	24565 X	24596 III
22897 VII	24305 44a	24338 44a	24529 X	24565 44a	24597 IV
22974 V	24307 X	24423 V	24530 X	24566 44a	24598 IV
22975 I	24307 44a	24424 V	24531 44a	24567 44a	24599 IV
+ 22991 IX	24308 X	24429 III	24532 IV	24568 44a	24601 V

Numerical Index

3335 25	3335 26	3335 27	3335 28	3335 29	3335 30
Nr. Fig.	Nr. Fig.	Nr. Fig.	Nr. Fig.	Nr. Fig.	Nr. Fig.
24602 V	24935 IV	29371 VI	32215 VI	48668 4	100086 V
24604 IV	24936 IV	29520 VI	32218 VI	48668 VIII	100100 V
24605 II	24937 IV	29571 VI	32299 VI	50248 VII	100150 VIII
24606 II	24938 IV	29601 VI	32300 VI	50254 VII	100151 VIII
24607 IV	24939 IV	29683 VI	32302 VI	53591 VI	100152 VIII
24608 IV	24940 IV	29684 VI	32303 VI	53592 VI	100153 VIII
24608 VIII	24941 IV	29685 VI	32304 VI	53593 VI	100187 V
24611 IV	24942 IV	29686 VI	35461 VI	53594 VI	100213 I
24613 III	24950 VII	29840 VI	36153 VI	53595 VI	100217 I
24615 IV	24956 VII	29841 VI	36154 VI	53596 VI	100221 VIII
24616 IV	24959 VII	29959 VI	36155 VI	53597 VI	101501 IV
24619 V	24960 VII	29960 VI	36156 VI	53599 VI	101501 VI
24621 IV	24961 VII	30135 VI	36157 VI	61104 II	101501 VIII
24622 IV	24962 VII	30240 III	36158 VI	63048 I	+ 101795 IX
24623 IV	25165 II	30313 III	40623 VI	63049 I	+ 101796 IX
24730 VIII	25694 III	31251 VI	41062 VI	65543 4	101798 V
24730 X	25976 VI	+ 31318 IX	41065 VI	65546 4	101824 IV
24730 36a	25998 III	+ 31320 IX	41075 VI	65548 V	101885 II
24730 44a	26110 VI	+ 31395 IX	+ 44196 IX	69047 VI	105447 I
24731 VII	26179 VI	31559 VI	46366 VI	69479 VIII	122618 36a
24731 36a	28007 III	31560 VI	46367 VI	+ 69809 IX	122619 36a
24731 44a	28007 VII	31788 III	46566 VI	80220 VIII	122620 36a
24732 II	28007 X	31986 VI	46570 VI	98264 III	122621 36a
24732 44a	28043 VI	+ 31987 IX	46571 VI	98929 VI	122622 36a
24770 36a	28101 VII	+ 31988 IX	46598 VI	100002 VIII	122623 36a
24771 36a	28200 III	+ 31989 IX	46694 VI	70100012 X	122624 36a
24780 36a	+ 28514 IX	+ 31990 IX	+ 46728 IX	+ 100026 IX	122625 36a
24930 V	+ 28518 IX	+ 32213 IX	48666 4	100030 IV	123778 V
24934 II	+ 28540 IX	32214 VI	48666 VIII	100030 VIII	124085 36a

Numerical Index

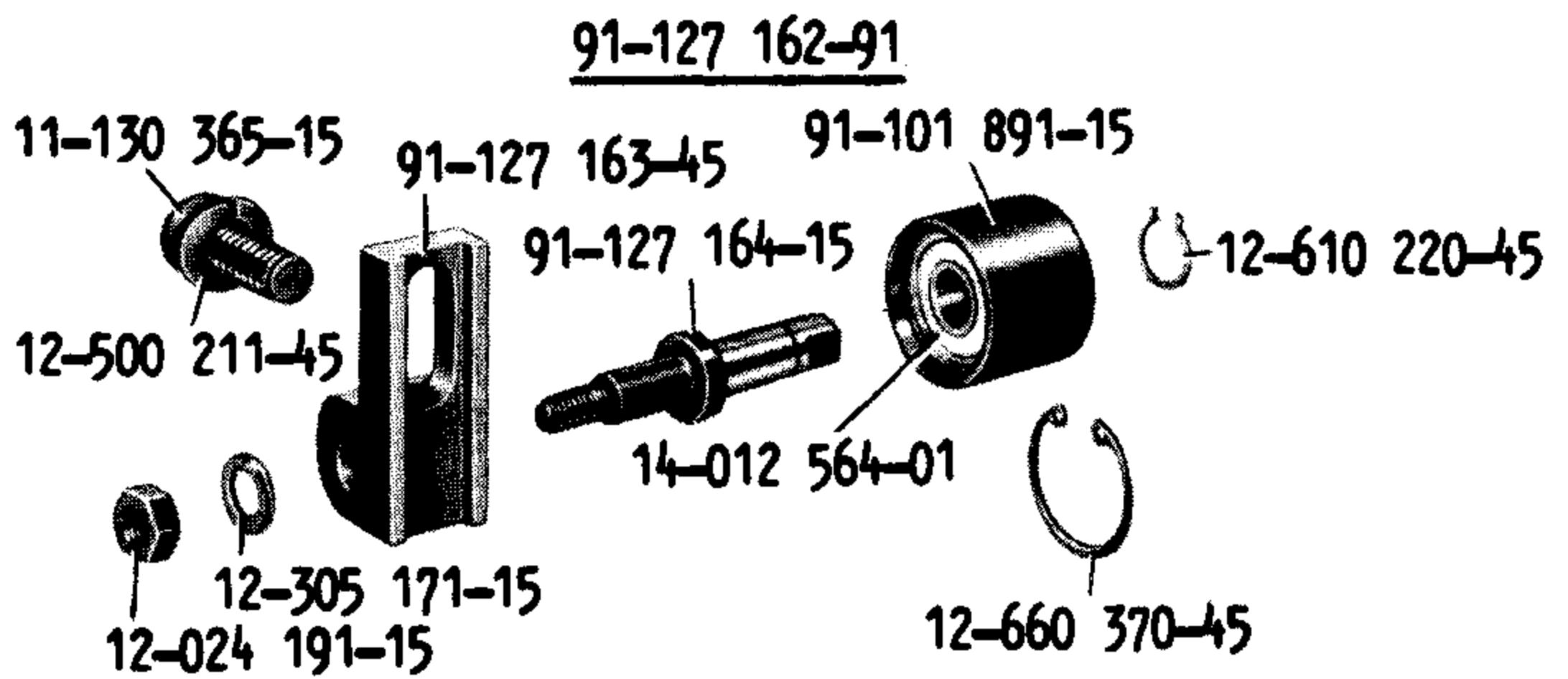
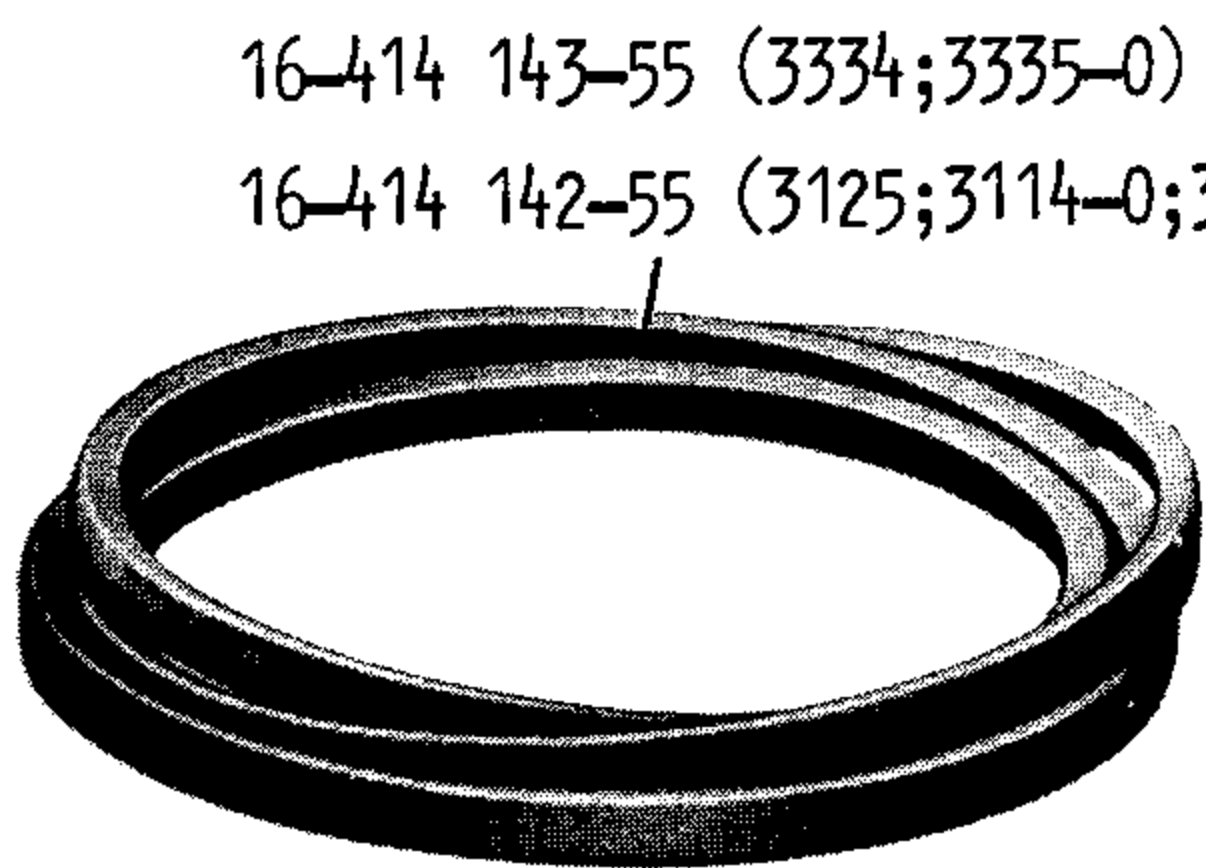
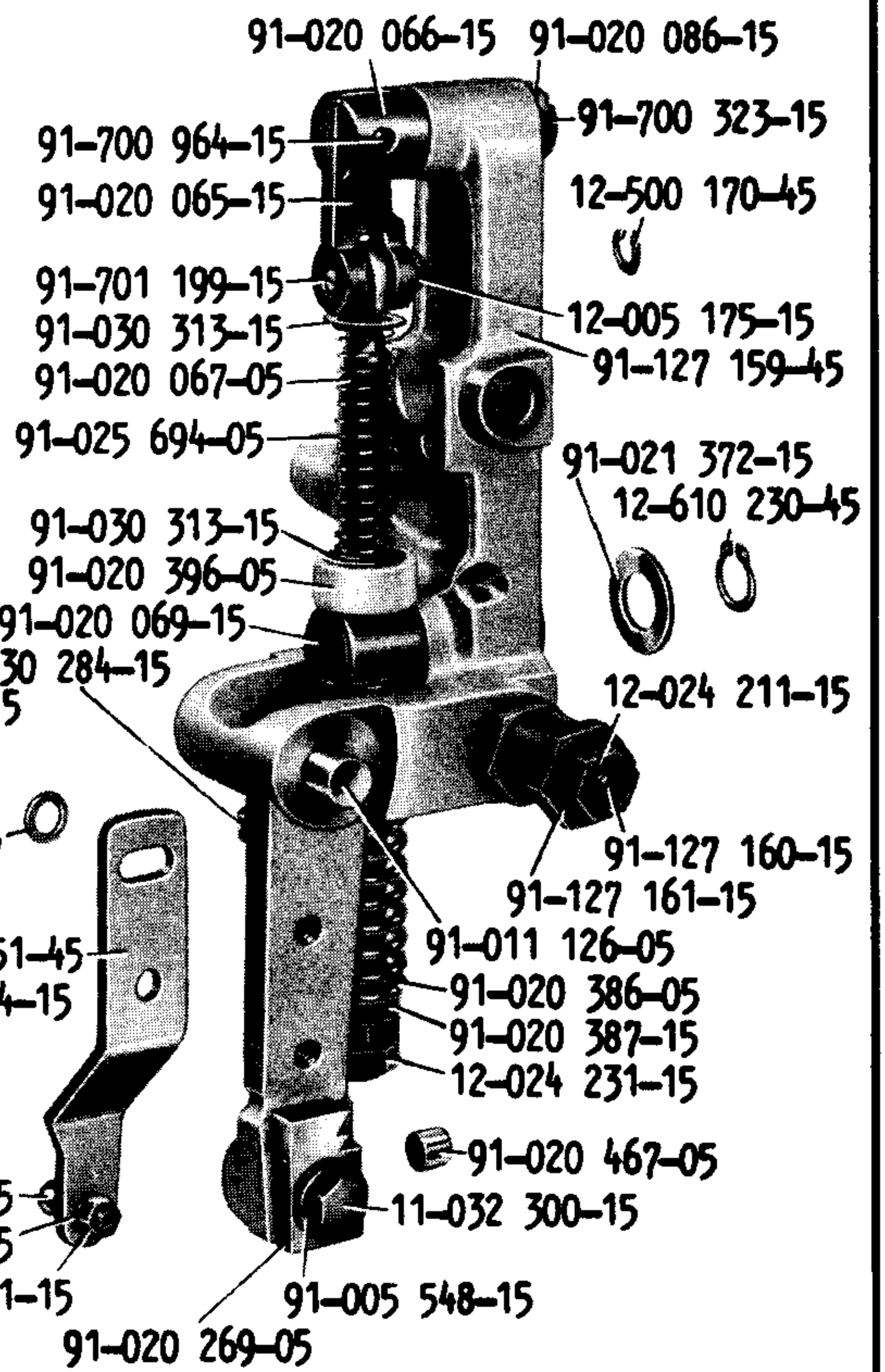
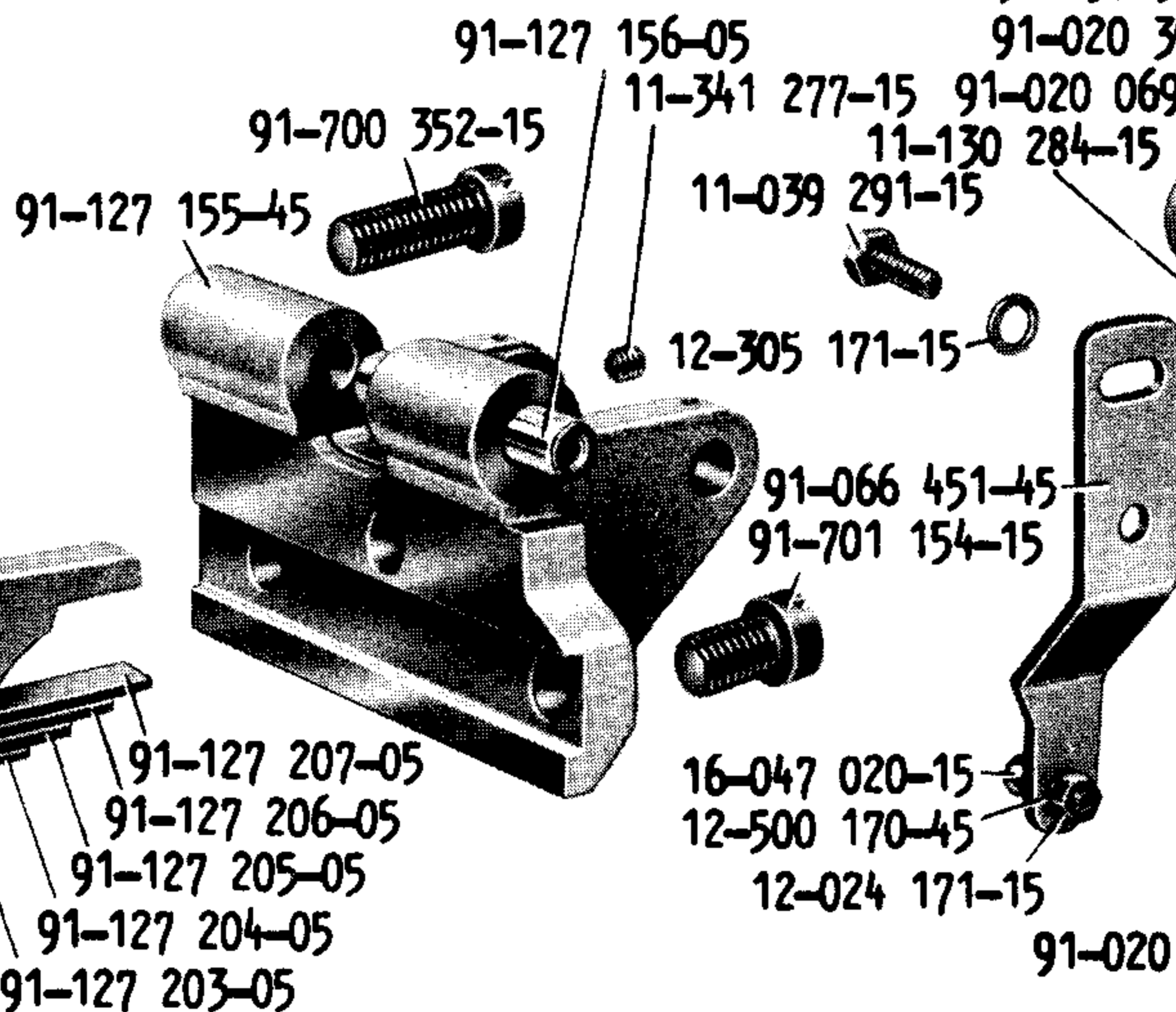
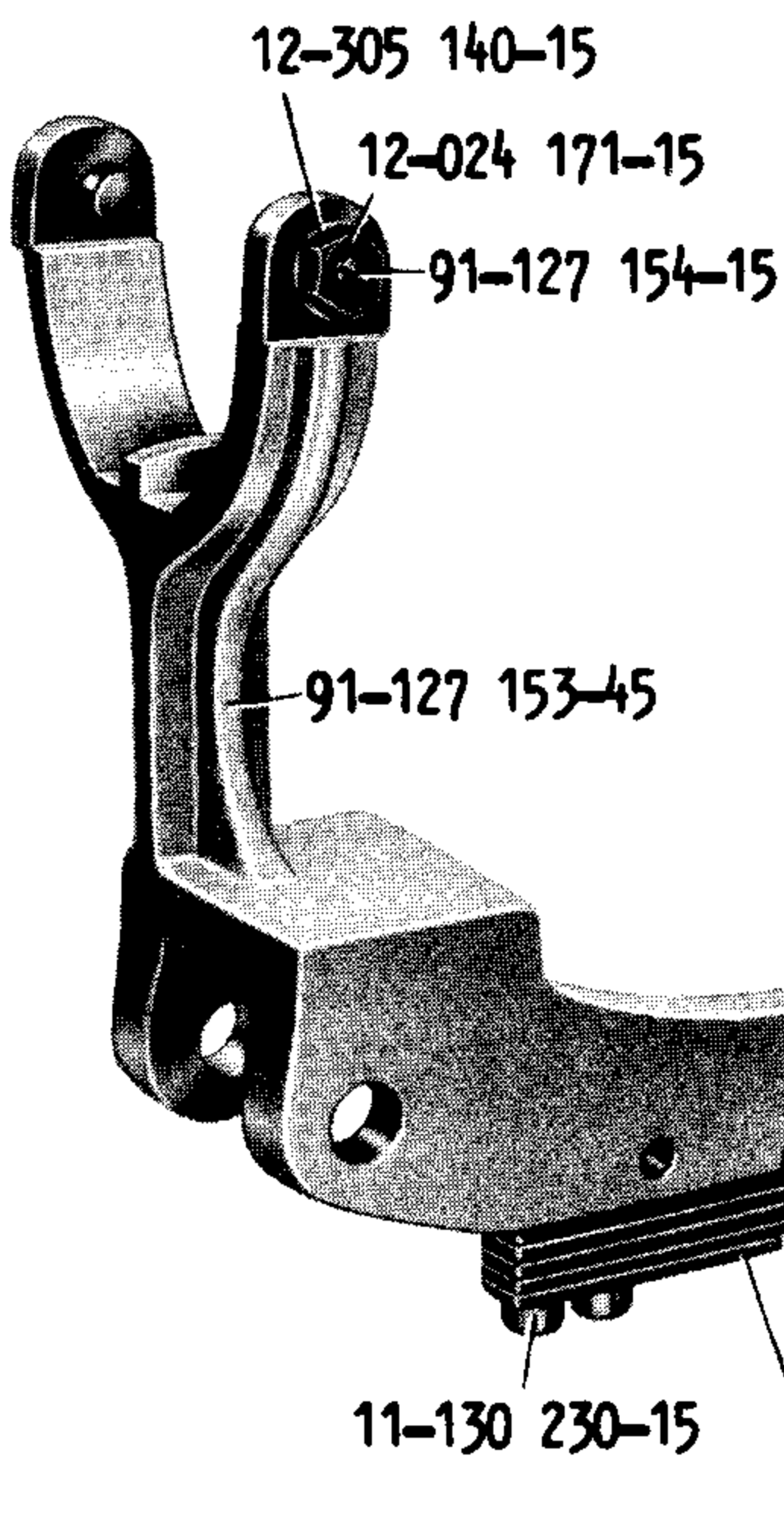
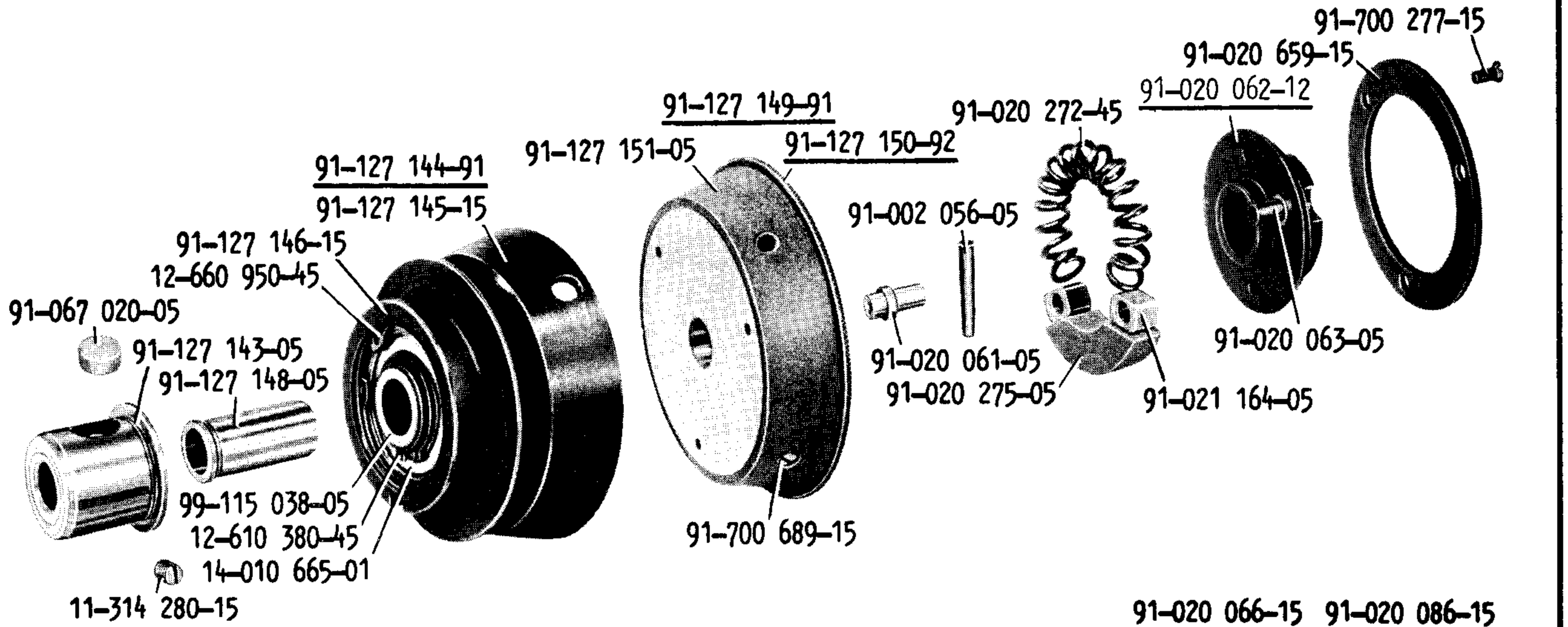
<small>3335</small> 31	<small>3335</small> 32	<small>3335</small> 33	<small>3335</small> 34	<small>3335</small> 35	<small>3335</small> 36
Nr. Fig.	Nr. Fig.	Nr. Fig.	Nr. Fig.	Nr. Fig.	Nr. Fig.
124086 36a	124603 VIII	124658 36a			
124139 VIII	124605 VIII	124661 36a			
124139 36a	124606 VIII	124664 36a			
124148 V	124607 VIII	124665 36a			
124149 III	124608 VIII	124666 36a			
124150 III	124609 VIII	124667 36a			
124150 36a	124610 VIII	124668 36a			
124165 36a	124611 VIII	124669 36a			
124329 VII	124612 VIII	124845 36a			
124347 4	124613 VIII	124849 36a			
124348 4	124613 36a	+ 495599 IX			
124586 VIII	124614 VIII				
124586 36a	124614 36a				
124588 VIII	124615 VIII				
124590 VIII	124616 36a				
124591 VIII	124619 36a				
124592 VIII	124623 36a				
124593 VIII	124624 36a				
124594 VIII	124627 36a				
124594 36a	124630 36a				
124595 VIII	124632 36a				
124596 VIII	124635 36a				
+ 124596 IX	124638 36a				
+ 124598 IX	124641 36a				
124599 VIII	124644 36a				
124599 36a	124647 36a				
124600 VIII	124650 36a				
124601 VIII	124652 36a				
124602 VIII	124655 36a				



-958/01

zur Pfaff

3300; 3304; 3334; 3335-0

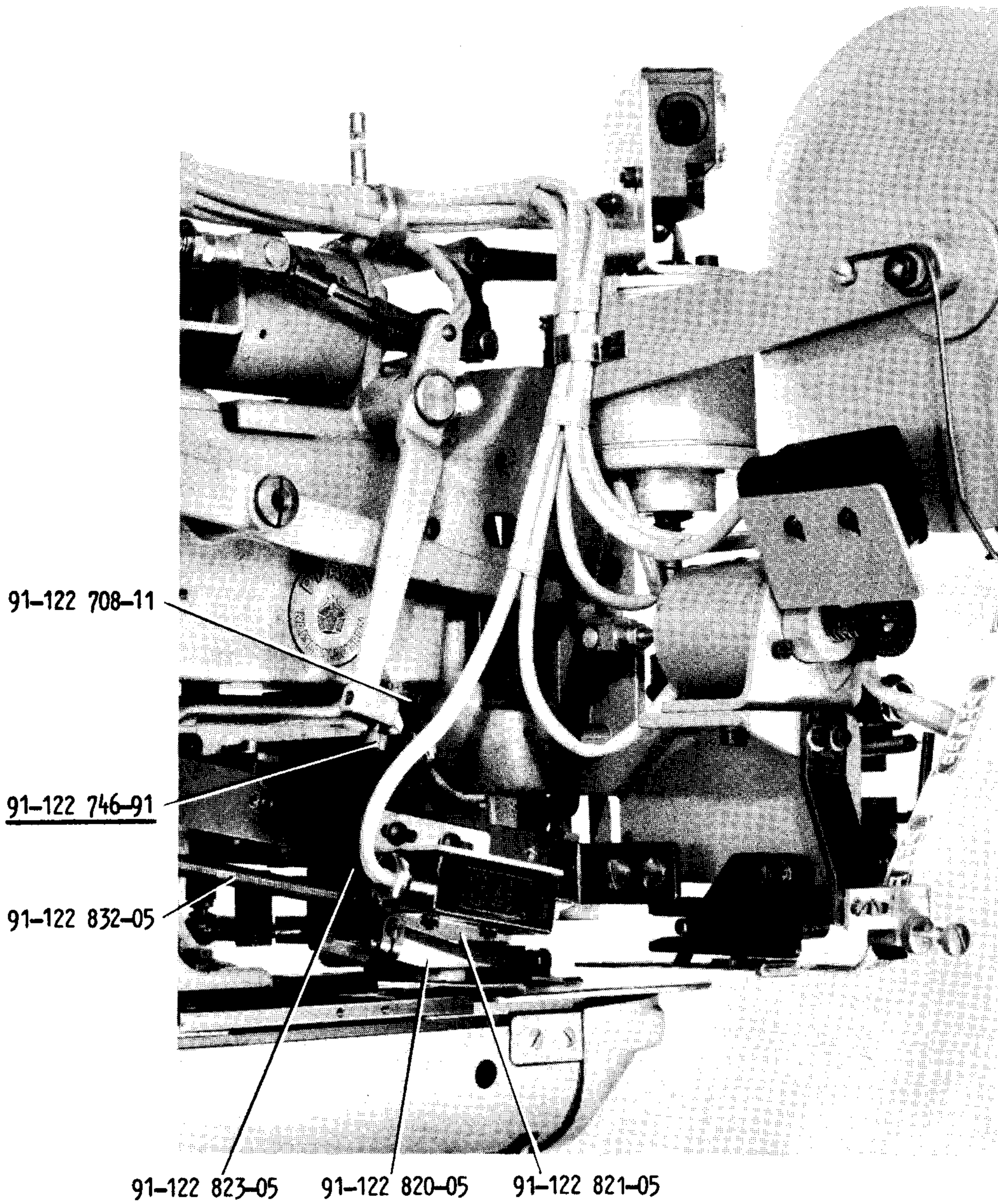




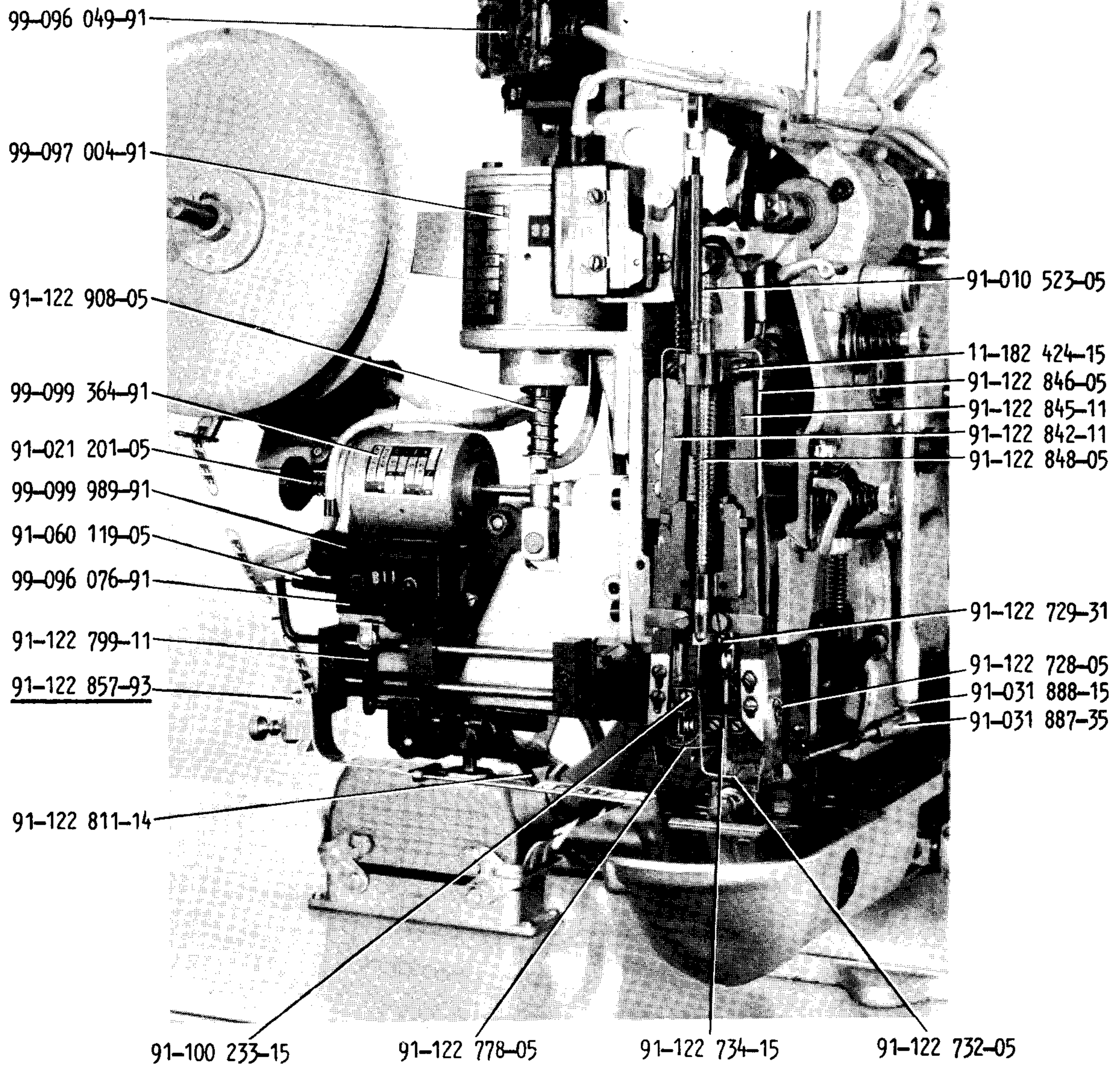
**Provisorische
Bestandteile-Liste**

**PFAFF 3335-0-317-960
X322**

G. M. PFAFF AG WERK KAISERSLAUTERN



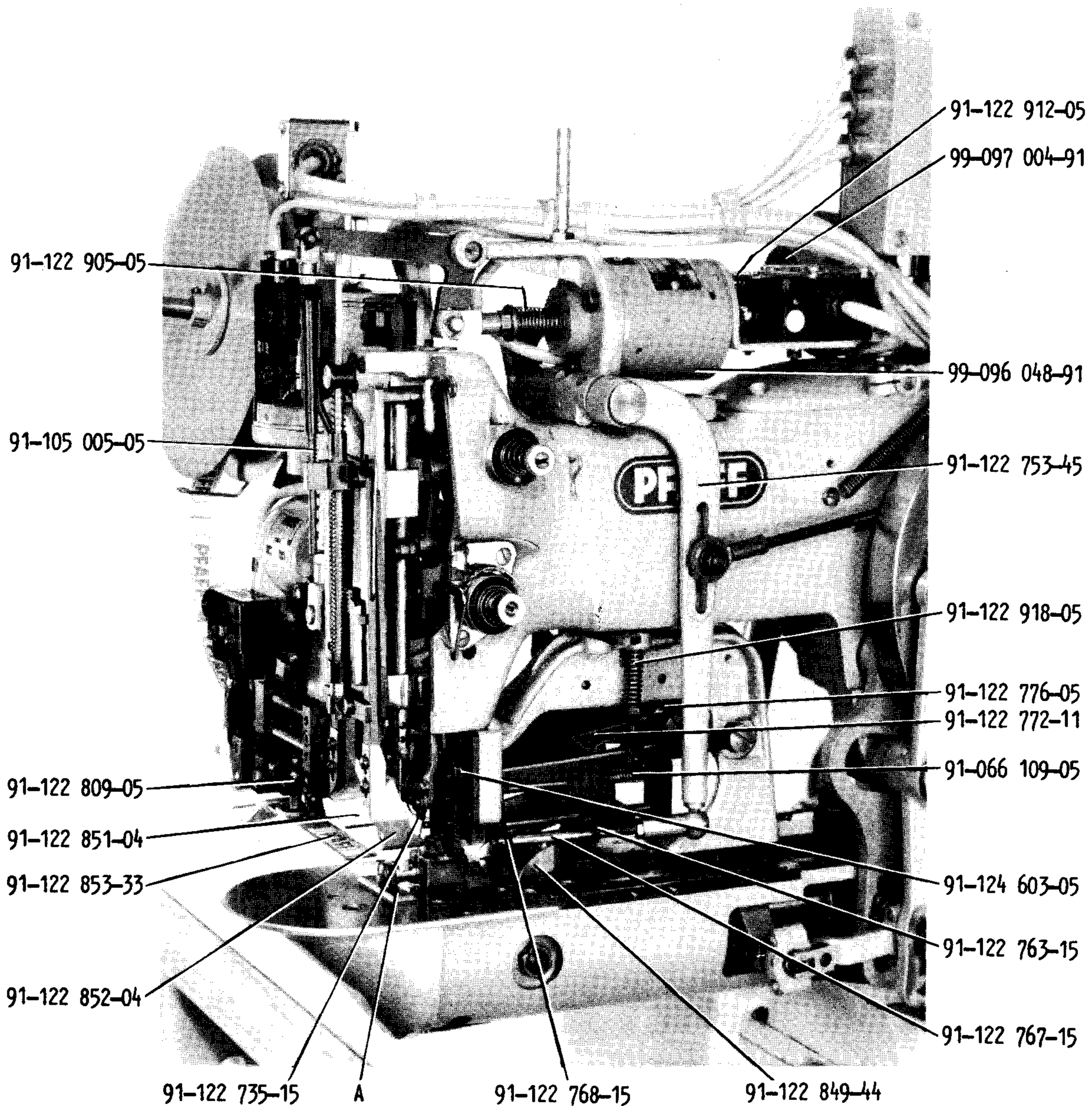
- | | |
|----------------------|---------------------------------|
| 91-122 708-11 | Auslösehebel |
| <u>91-122 746-91</u> | Rollenträger mit Rolle, vollst. |
| 91-122 820-05 | Scherenhälfte, untere |
| 91-122 821-05 | Scherenhälfte, obere |
| 91-122 823-05 | Druckfeder |
| 91-122 832-05 | Zugfeder |



- 11-182 424-15 Gelenkschraube
- 91-010 523-05 Druckfeder
- 91-021 201-05 Druckfeder
- 91-031 887-35 Kugelpfanne
- 91-031 888-15 Kugelschraubenbolzen
- 91-060 119-05 Zugfeder
- 91-100 233-15 Klemm- und Mitnehmeschraube
- 91-122 728-05 Abstreifbügel
- 91-122 729-31 Fadenführung
- 91-122 732-05 Federbügel
- 91-122 734-15 Trägerwinkel
- 91-122 778-05 Drehfeder
- 91-122 799-11 Schaltwinkel

- 91-122 811-14¹⁾ Schiebefeder
- 91-122 842-11 Umbuggwinkel-Träger, linker; für /10 = Nr. 91-122 943-11
- 91-122 845-11 Umbuggwinkel-Träger, rechter; für /10 = Nr. 91-122 945-11
- 91-122 846-05 Biegefeder
- 91-122 848-05 Druckfeder
- 91-122 857-93¹⁾ Bandspanner vollst.
- 91-122 908-05 Druckfeder
- 99-096 049-91 Endtaster (4x)
- 99-096 076-91 Mikroschalter (4x)
- 99-097 004-91 Magnet
- 99-099 364-91 Magnet
- 99-099 989-91 Abdeckkappe

¹⁾ Bei Bestellung unbedingt Oberteil-Nr. und Klassenbezeichnung angeben !



91-066 109-05	Druckfeder	91-122 849-44 ¹⁾	Unterlagplatte
91-105 005-05	Druckfeder	91-122 851-04 ¹⁾	Umbuggwinkel, linker
91-122 735-15	Anschlag	91-122 852-04 ¹⁾	Umbuggwinkel, rechter
91-122 753-45	Hebel	91-122 853-33 ¹⁾	Etikettenführung
91-122 763-15	Schieber	91-122 905-05	Druckfeder
91-122 767-15	Zugstange	91-122 912-05	Druckfeder zu Nr.99-097 004-91
91-122 768-15	Kugelscheibe	91-122 918-05	Druckfeder
91-122 772-11	Sperrklinke	91-124 603-05	Biegefeder
91-122 776-05	Drehfeder	99-096 048-91	Magnet
91-122 809-05	Drehfeder	99-097 004-91	Magnet

A Stoffdrückerplatte
(bei Bestellung unbedingt Oberteil-Nr. und Klassenbezeichnung angeben !)

¹⁾ Bei Bestellung unbedingt Oberteil-Nr. und Klassenbezeichnung angeben !