

三菱工業用ミシン部品カタログ

MITSUBISHI Industrial Sewing Machine Parts Catalog

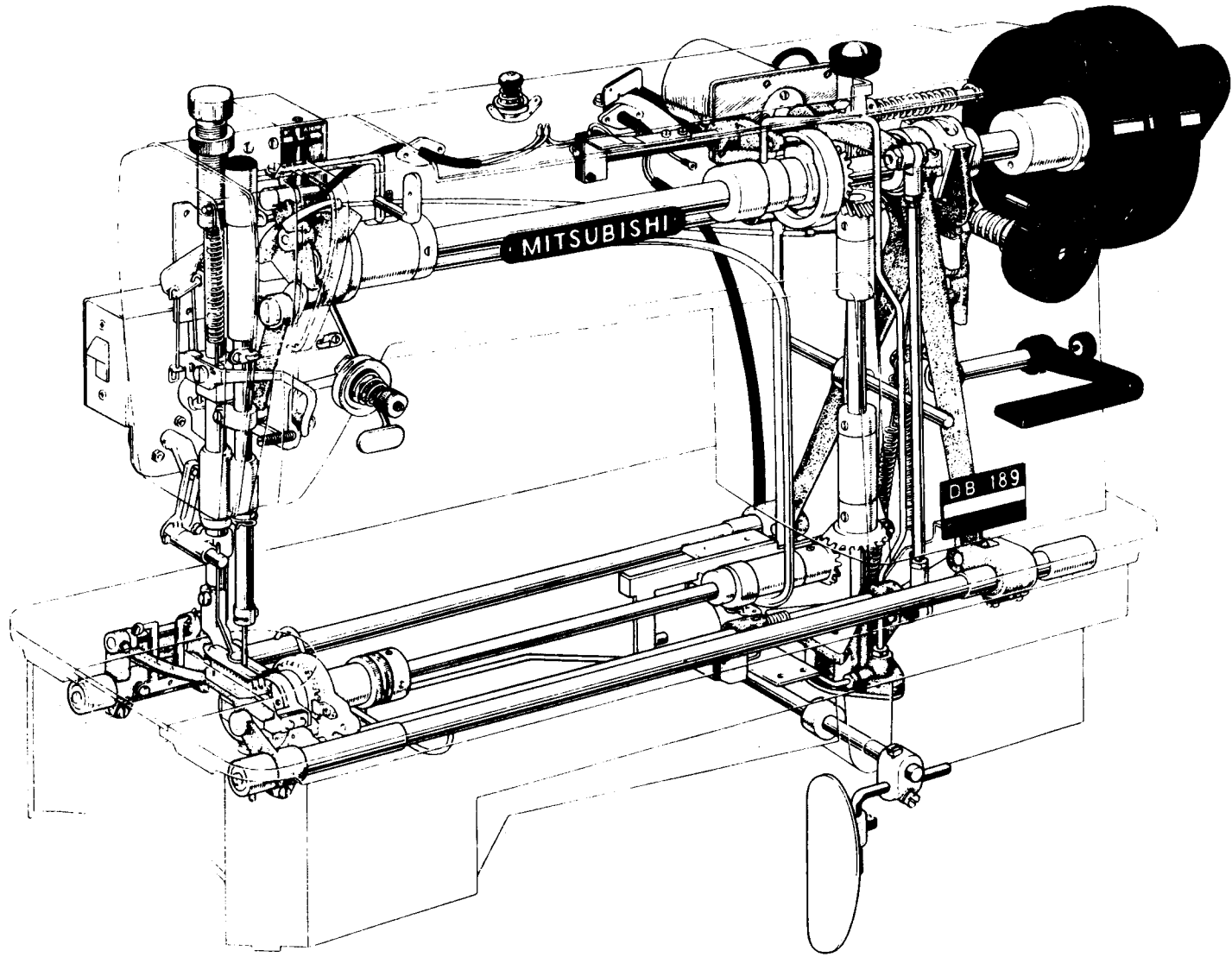
Model
DB-189

| 目次 | INDEX | Page |
|------------------------------|---|------|
| 1. 機 構 図 | Total assembly | |
| 2. 本 体 関 係 | Arm bed & its accessories | 2 |
| 3. 本 体 関 係 | Arm bed & its accessories | 4 |
| 4. 天 秤 ・ 針 棒 関 係 | Thread take-up lever & needle bar mechanism | 6 |
| 5. 上 軸 ・ 豎 軸 関 係 | Arm shaft & vertical shaft mechanism | 8 |
| 6. 検 出 器 関 係 | Detector mechanism | 10 |
| 7. 送 り 調 節 器 関 係 | Stitch length regulator mechanism | 12 |
| 8. 水 平 送 り 軸 ・ 上 下 送 り 軸 関 係 | Feed rock shaft & feed lifting rock shaft mechanism | 14 |
| 9. 下 軸 ・ カ マ 関 係 | Rotating hook shaft & rotating hook mechanism | 16 |
| 10. フ ロー テ ン グ 押 エ 関 係 | Flowing foot mechanism | 18 |
| 11. ワ イ バ (右ハネ) 関 係 | Wiper (right-motion) mechanism | 20 |
| 12. ワ イ バ (左ハネ) 関 係 | Wiper (left-motion) mechanism | 22 |
| 13. 押 エ 上 ゲ 関 係 | Presser bar lifting mechanism | 24 |
| 14. タ ッ チ バ ッ ク 関 係 | Touch back sewing mechanism | 26 |
| 15. タ ッ チ バ ッ ク 関 係 | Touch back sewing mechanism | 28 |
| 16. メ ス (糸切り) 関 係 | Thread trimmer mechanism | 30 |
| 17. 糸 切 り ソ レ ノ イ ド ・ 関 係 | Thread trimmer solenoid mechanism | 32 |
| 18. カ ム 軸 関 係 | Cam shaft mechanism | 34 |
| 19. 給 油 関 係 | Oil lubrication mechanism | 36 |
| 20. 付 属 品 箱 | Accessory box | 38 |
| 21. 付 属 品 | Accessories | 40 |
| 22. テ ー ブ ル 関 係 | Table & stand | 42 |

 三菱電機株式会社

198105

DB-189 形 機 構 図
TOTAL ASSEMBLY

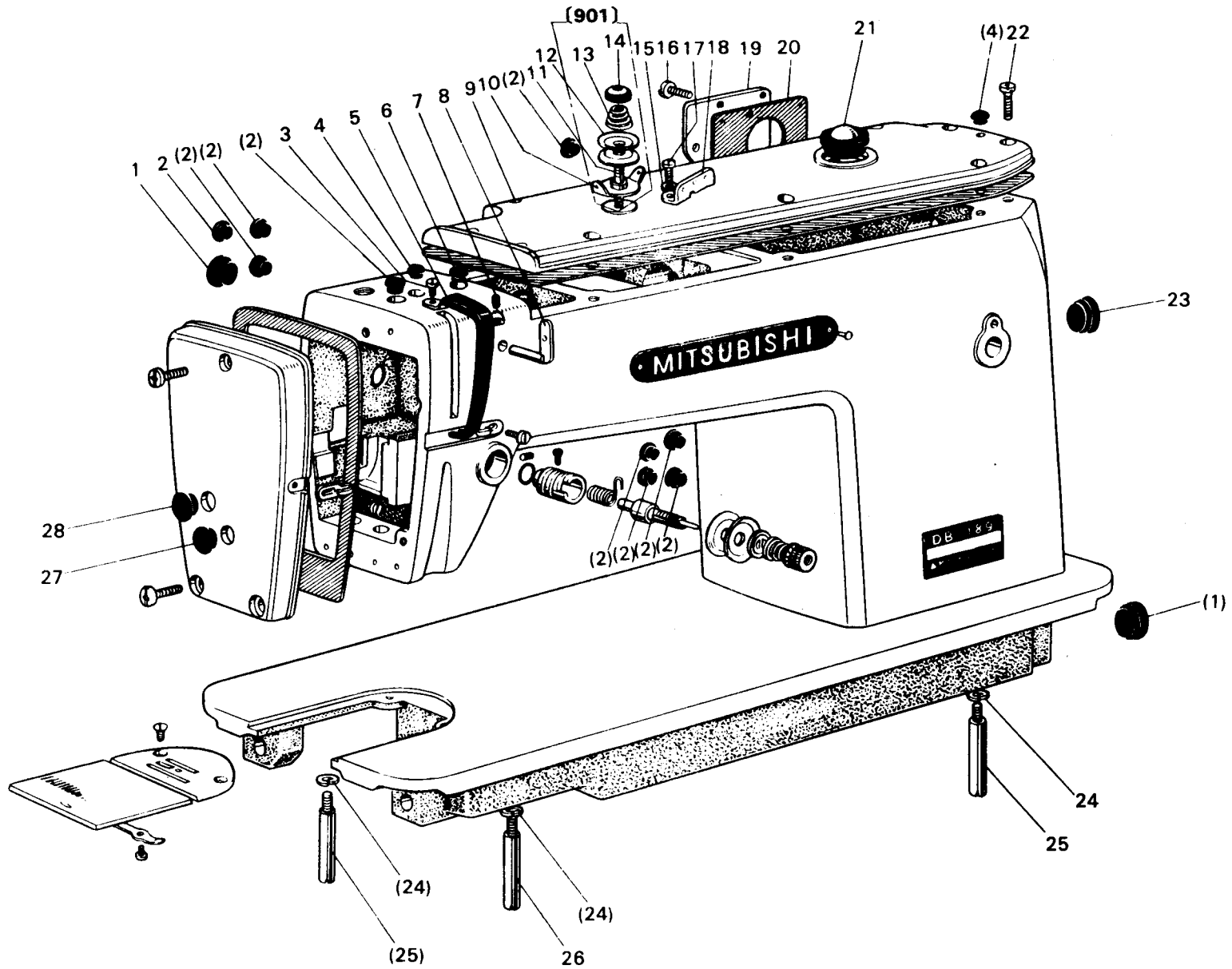


DB-189

本体関係

ARM BED & ITS ACCESSORIES

DB-189



本 体 関 係

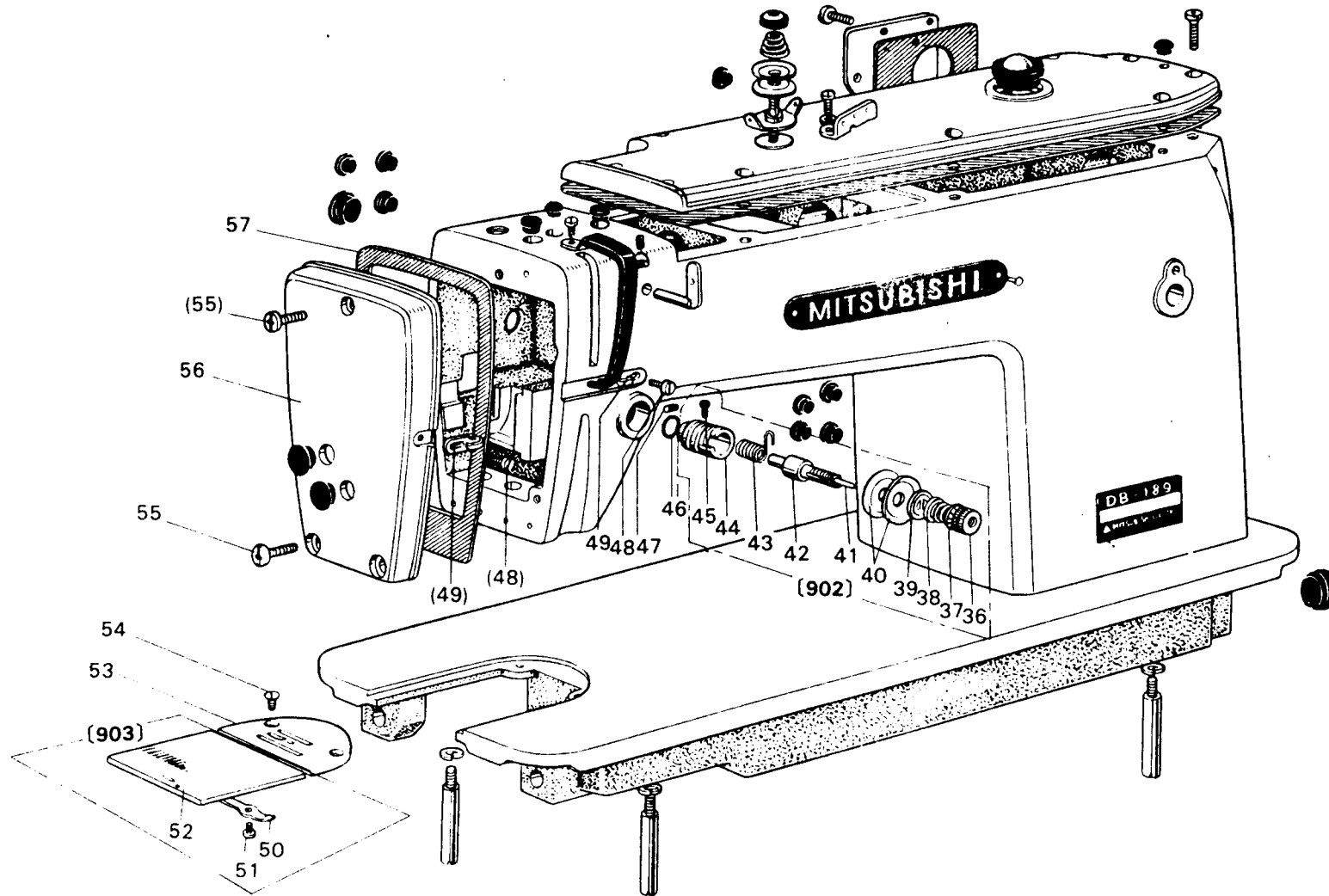
ARM BED & ITS ACCESSORIES

| Fig. No. | 部品コード Parts No. | 資材コード Ref. No. | 部 品 名 | Description | 使用 個数 Amt. Req | 共通部品 Common Parts | | | | | | | | | | | | | |
|----------|--------------------|-------------------|--------------------------|---------------------------------------|-------------------------|----------------------|------------|------------|--------------|------------|--------------|---------------|---------------|---|--|--|--|--|--|
| | | | | | | DB-189-10M | DB-189-11M | DB-189-12M | DB-189-12.7M | DB-189-13M | DB-189-13.7M | DB-189-10FWBM | DB-189-10FWBV | | | | | | |
| 1 | M9 1900 080 | W501374H01 | ゴム栓 19φ | Rubber plug 19φ | 2 | | | | | | | | | | | | | | |
| 2 | M9 0880 080 | W501320H01 | ゴム栓 8.8φ | Rubber plug 8.8φ | 9 | | | | | | | | | | | | | | |
| 3 | M9 1107 002 | W500092H01 | 平ネジ 11/64(40)×5.5 | Screw 11/64(40)×5.5 | 1 | | | | | | | | | | | | | | |
| 4 | M9 0570 080 | W502078H01 | ゴム栓 5.7φ(赤) | Rubber plug 5.7φ | 2 | | | | | | | | | | | | | | |
| 5 | MF 10A0 584 | W468291H01 | 平秤カバー | Thread take-up cover | 1 | | | | | | | | | | | | | | |
| 6 | M9 0881 080 | W502944H01 | ゴム栓 8.8φ(赤) | Rubber plug 8.8φ | 1 | | | | | | | | | | | | | | |
| 7 | M9 1108 001 | B 503846H01 | 頭ナシ止メネジ 11/64(40)×5.5 | Set screw (for. Fig. 8) 11/64(40)×5.5 | 1 | | | | | | | | | | | | | | |
| 8 | MF 40A0 180 | W475415H01 | 糸案内 | Thread guide | 1 | | | | | | | | | | | | | | |
| 9 | MF 40A0 600 | W225185H01 | トップカバー | Top cover | 1 | | | | | | | | | | | | | | |
| 10 | MF 20A0 181 | W470269H01 | 糸案内(調節器) | Thread guide for pre-tension | 1 | | | | | | | | | | | | | | |
| 11 | MF 10A1 553 | W502171H01 | 調子棒(調節器) | Tension stud | 1 | | | | | | | | | | | | | | |
| 12 | MF 10A1 555 | W501636H01 | 調子皿(調節器) | Tension disc | 2 | | | | | | | | | | | | | | |
| 13 | MF 10A1 245 | W502193H01 | 円錐バネ(調節器) | Tension spring | 1 | | | | | | | | | | | | | | |
| | MF 36A0 245 | W462881H01 | 円錐バネ(調節器) | Tension spring | 1 | | | | | | | | | | | | | | |
| 14 | M9 1101 046 | W501637H01 | ツマミナット(調節器) 11/64×(40)×6 | Tension nut for pre-tension | 1 | | | | | | | | | | | | | | |
| 901 | MF 10E0 550 | W450619G02 | 調節器(組)(プリテンション) | Pre-tension complete | 1 | ○ | ○ | ○ | ○ | ○ | ○ | ○ | ○ | ○ | | | | | |
| 15 | M9 0502 053 | W500301H01 | バネ座金 5 | Spring washer M5 | 1 | | | | | | | | | | | | | | |
| 16 | M9 1101 004 | W466810H01 | フラマイネジ 11/64(40)×8 | Screw (for. Fig. 19) 11/64(40)×8 | 5 | | | | | | | | | | | | | | |
| 17 | M9 1116 002 | W501400H01 | 平ネジ 11/64(40)×8 | Screw (for. Fig. 18) 11/64(40)×8 | 1 | | | | | | | | | | | | | | |
| 18 | MF 36A1 180 | W471432H01 | 糸案内 | Thread guide | 1 | | | | | | | | | | | | | | |
| 19 | MF 40A0 880 | W476418H01 | 蓋(横蓋)(バックレスト)ナシ | Arm side cover | 1 | | | | | | | | | | | | | | |
| 20 | MF 40A2 691 | W476419H01 | ガスケット(横蓋) | Gasket (for. Fig. 19) | 1 | | | | | | | | | | | | | | |
| 21 | MF 20A0 135 | P 674006X01 | 油窓 | Oil check window | 1 | | | | | | | | | | | | | | |
| 22 | M9 1102 004 | W467880H01 | フラマイネジ 11/64(40)×10 | Screw (for. Fig. 9) 11/64(40)×10 | 10 | | | | | | | | | | | | | | |
| 23 | M9 2001 080 | W479394H01 | ゴム栓 20φ | Rubber plug 20φ | 1 | | | | | | | | | | | | | | |
| 24 | M9 0621 053 | S 561111H02 | バネ座金 6 | Spring washer (for. Fig. 25. 26) | 3 | | | | | | | | | | | | | | |
| 25 | MF 10A0 151 | W452343H01 | 支エ(脚短) | Short leg | 2 | | | | | | | | | | | | | | |
| 26 | MF 10A0 150 | W461768H01 | 支エ(脚長) | Long leg | 1 | | | | | | | | | | | | | | |
| 27 | M9 1180 080 | W502069H01 | ゴム栓 11.8φ | Rubber plug 11.8φ | 1 | | | | | | | | | | | | | | |
| 28 | M9 5002 080 | W472710H01 | ゴム栓 19φ | Rubber plug 19φ | 1 | | | | | | | | | | | | | | |

DB-18j

本体関係
ARM BED & ITS ACCESSORIES

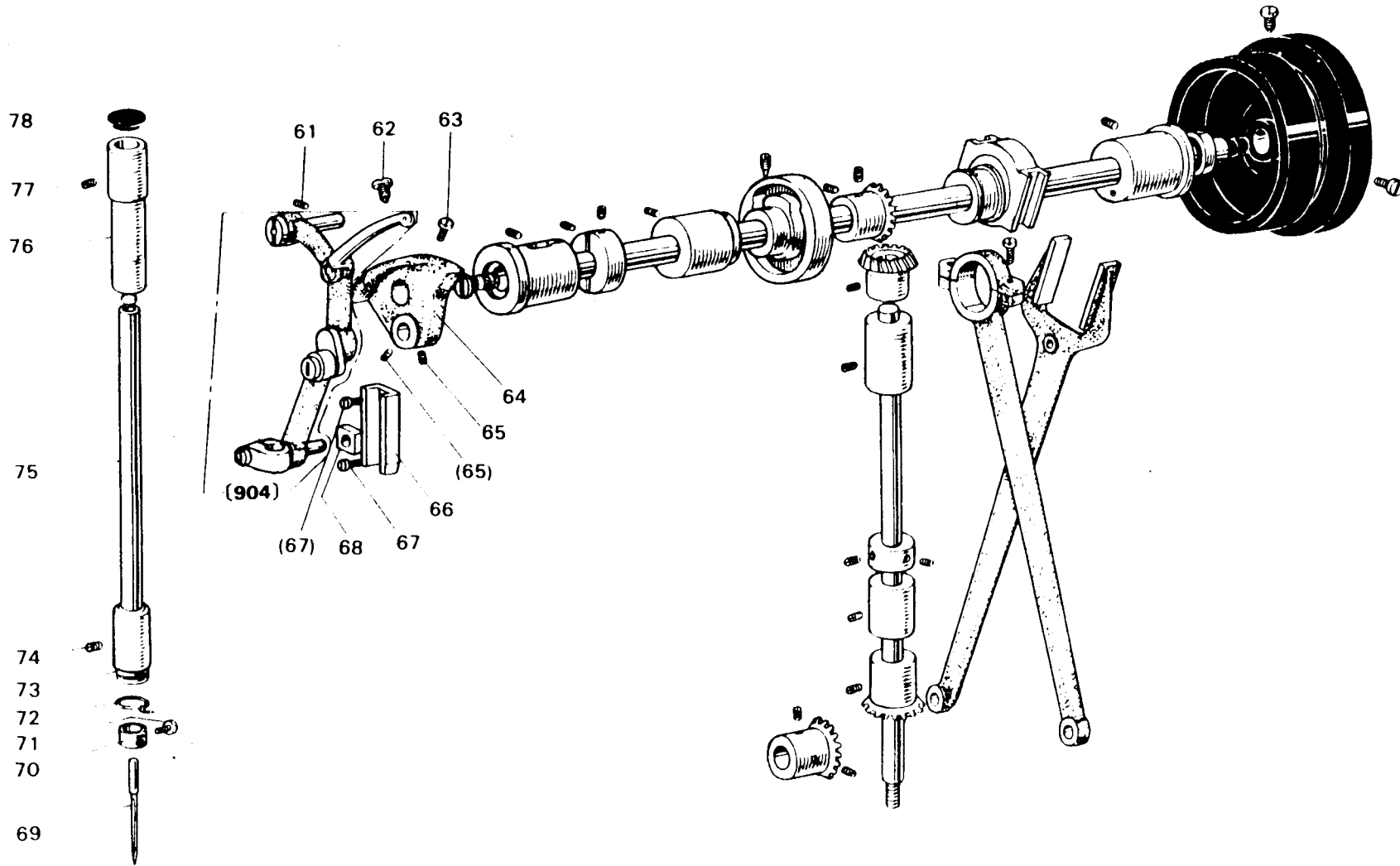
DB-189



本体関係

ARM BED & ITS ACCESSORIES

| Fig. No. | 部品コード Parts No. | 資材コード Ref. No. | 部 品 名 Description | 使用 個数 Amt. Req. | 共通部品 Common Parts | | | | | | | | | |
|-------------|--------------------|-------------------|--------------------------|--------------------------|-------------------|------------|------------|--------------|------------|--------------|---------------|---------------|--|--|
| | | | | | DB-189-10M | DB-189-11M | DB-189-12M | DB-189-12.7M | DB-189-13M | DB-189-13.7M | DB-189-10FWGM | DB-189-10FWBY | | |
| 36 | M9 1608 046 | W476469H01 | ツミナット(上糸調節器) 1 4(40)×4.5 | 1 | | | | | | | | | | |
| 37 | MT 60A0 802 | W476470H01 | 回り止メ(上糸調節器) | 1 | | | | | | | | | | |
| | MF 11D0 245 | W461780H01 | 円錐バネ(上糸調節器) | 1 | | | | | | | | | | |
| 38 | MF 10A0 245 | W450071H01 | 円錐バネ(上糸調節器) | 1 | | | | | | | | | | |
| | MF 43C0 245 | W478173H01 | 円錐バネ(上糸調節器) | 1 | | | | | | | | | | |
| 39 | MM 11A0 556 | W477611H01 | 調子皿押エ(上糸調節器) | 1 | | | | | | | | | | |
| 40 | MF 10A0 555 | W444059H01 | 調子皿(上糸調節器) | 2 | | | | | | | | | | |
| 41 | M9 0204 060 | B 509216H01 | ピン(上糸調節器) 2φ×28.4 | 1 | | | | | | | | | | |
| 42 | MF 10A0 553 | B 419178H01 | 調子棒(上糸調節器) | 1 | | | | | | | | | | |
| 43 | MF 10A0 187 | W475488H01 | 糸取りバネ(上糸調節器) | 1 | | | | | | | | | | |
| | MF 12B0 187 | W461748H01 | 糸取りバネ(上糸調節器) | 1 | | | | | | | | | | |
| 44 | MF 10A0 709 | W453140H01 | ブ ッ シ ュ (上糸調節器) | 1 | | | | | | | | | | |
| 45 | M9 0901 002 | W500741H01 | 平 ネ ジ 9/64(40)×4 | 1 | | | | | | | | | | |
| 46 | M9 1501 085 | P 648001 K01 | O リ ン グ S15(上糸調節器) | 1 | | | | | | | | | | |
| | MF 10E0 210 | W346065G01 | 上 糸 調 節 器 (組) | 1 | | | | | | | | | | |
| 902 | MF 82E0 210 | W346064G02 | 上 糸 調 節 器 (組) | 1 | | | | | | | | | | |
| | MF 43E0 210 | W346064G04 | 上 糸 調 節 器 (組) | 1 | | | | | | | | | | |
| 47 | M9 1508 001 | B 509088H01 | 頭ナシ止メネジ 15/64(28)×8 | 1 | | | | | | | | | | |
| 48 | M9 0909 003 | W501901H01 | 丸 平 ネ ジ 9/64(40)×6 | 2 | | | | | | | | | | |
| 49 | MF 10A0 181 | W452151H01 | 糸 案 内 (糸カケ) | 2 | | | | | | | | | | |
| 50 | MF 10A0 471 | B 419207H01 | 板 バ ネ | 1 | | | | | | | | | | |
| 51 | M9 0604 002 | B 509070H01 | 平 ネ ジ 3/32(56)×2.2 | 2 | | | | | | | | | | |
| 52 | MF 10A0 470 | B 419208H01 | ス ベ リ 板 | 1 | | | | | | | | | | |
| 903 | MF 10E0 470 | W461757G01 | ス ベ リ 板 (組) | 1 | | | | | | | | | | |
| | MF 36A1 101 | W336657H01 | 針 板 B1.6φ | 1 | | | | | | | | | | |
| 53 | MF 41D0 101 | W333530H01 | 針 板 A1.6φ | 1 | | | | | | | | | | |
| | MF 42B0 101 | W327682H01 | 針 板 B2.5φ (Jeens) | 1 | | | | | | | | | | |
| | MF 44B0 101 | W336696H01 | 針 板 (7mm) | 1 | | | | | | | | | | |
| 54 | M9 1102 011 | W500197H01 | 丸 皿 ネ ジ 11/64(40)×7 | 2 | | | | | | | | | | |
| 55 | M9 1102 004 | W467880H01 | プ ラ マ イ ネ ジ 11/64(40)×10 | 3 | | | | | | | | | | |
| 56 | MF 10A0 830 | W321296H01 | 面 板 | 1 | | | | | | | | | | |
| 57 | MF 40A4 691 | W450046H02 | ガ ス ケ ッ ト | 1 | | | | | | | | | | |



天秤・針棒関係

THREAD TAKE-UP LEVER & NEEDLE BAR MECHANISM

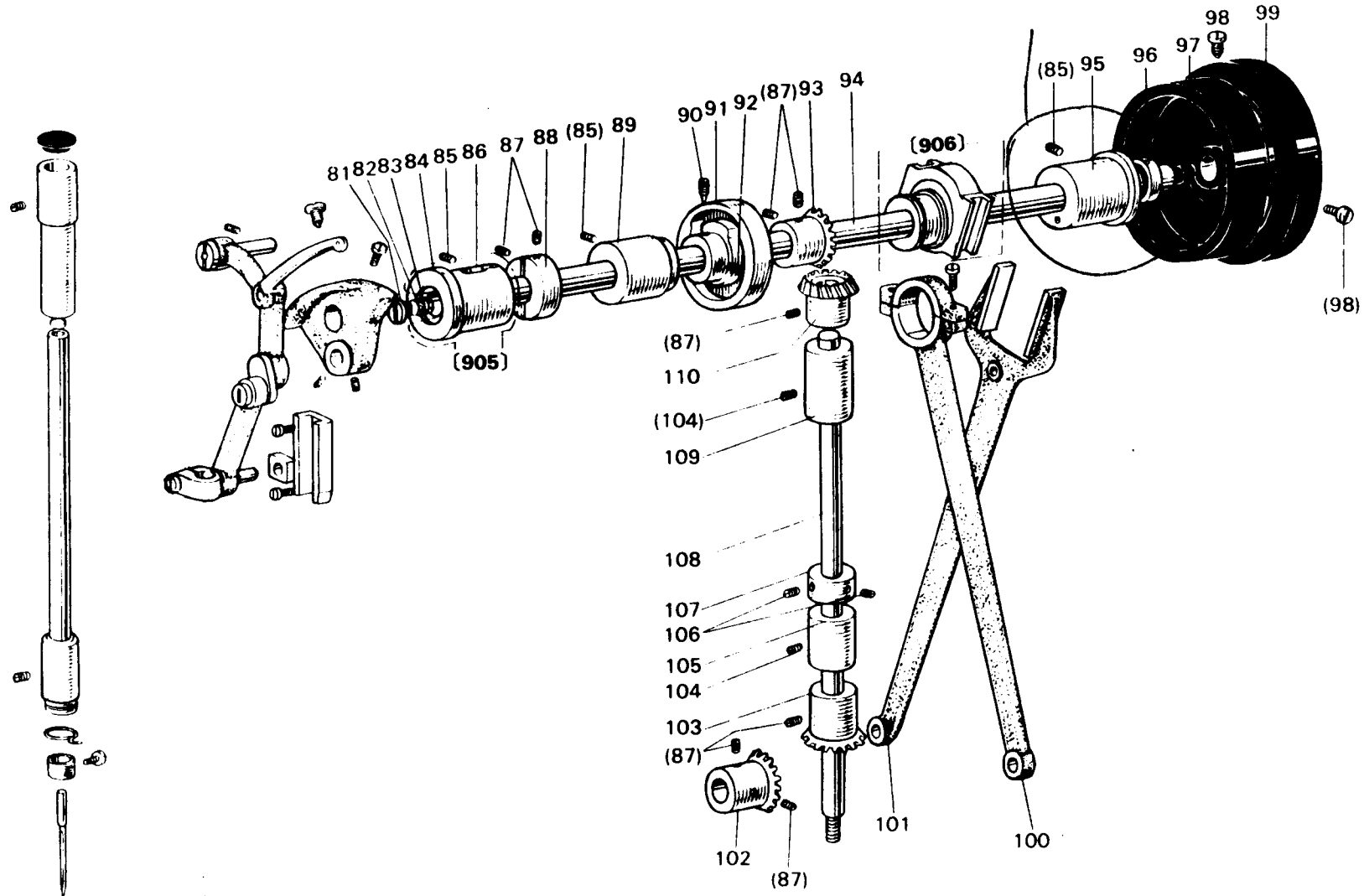
| Fig. | 部品コード Parts No. | 資材コード Ref. No. | 部品名 | Description | 使用 個数 Amt. Req. | 共通部品 Common Parts | | | | | | | | | | | | | |
|------|------------------------|-------------------|-----------------------|--|--------------------------|-------------------|------------|------------|--------------|------------|--------------|----------------|----------------|---|---|--|--|--|--|
| | | | | | | DB-189-10M | DB-189-11M | DB-189-12M | DB-189-12.7M | DB-189-13M | DB-189-13.7M | DB-189-10F-WBM | DB-189-10F-WBY | | | | | | |
| 904 | MF 40E0 580 | W324586G06 | 天秤針ク(組) | Thread take-up lever & needle connecting stud complete | 1 | ○ | ○ | | | | | | | | | | | | |
| | MF 42E2 580 | W324586G04 | 天秤針ク(組) | Thread take-up lever & needle connecting stud complete | 1 | | | ○ | ○ | ○ | ○ | | | | | | | | |
| 61 | M9 1516 001 | W500006H01 | 頭ナシ止メネジ 15/64(28)×15 | Set screw 15/64(28)×15 | 1 | ○ | ○ | ○ | ○ | ○ | ○ | ○ | ○ | | | | | | |
| 62 | M9 1802 006 | B 503851H01 | 棒先平ネジ 9/32(28)×14 | Set screw (for. Fig.64) 9/32(28)×14 | 1 | | | | ○ | ○ | ○ | ○ | ○ | | | | | | |
| 63 | M9 1801 002 | W500306H01 | 平ネジ 9/32(28)×13 | Set screw 9/32(28)×13 | 1 | | | | | | | | | ○ | ○ | | | | |
| 64 | MF 40A2 383 | W484866G01 | クランク | Crank | 1 | | | | | | | | | ○ | ○ | | | | |
| | MF 21D0 383 | W472544H01 | クランク | Crank | 1 | | | | | | | | | ○ | ○ | | | | |
| 65 | M9 1606 001 | B 504016H01 | 頭ナシ止メネジ 1/4(40)×7 | Set screw (for. Fig.64) 1/4(40)×7 | 2 | ○ | ○ | ○ | ○ | ○ | ○ | ○ | ○ | | | | | | |
| 66 | MF 10A0 662 | W444056H01 | 針棒クランクガイド(案内台) | Needle bar connecting link guide | 1 | ○ | ○ | ○ | ○ | ○ | ○ | ○ | ○ | | | | | | |
| 67 | M9 1110 002 | W500294H01 | 平ネジ 11/64(40)×8 | Screw (for. Fig.66) 11/64(40)×8 | 2 | | | | ○ | ○ | ○ | ○ | ○ | ○ | ○ | | | | |
| 68 | MF 10A0 325 | W443934H01 | 角駒(針クガイド) | Square block | 1 | | | | | | | | | ○ | ○ | | | | |
| | MF 70A0 128 | S 970010H01 | 針 (DB×1-2 #14) | Needle (DB×1-2 #14) | 1 | | | | | | | | | ○ | ○ | | | | |
| 69 | MF 71D0 128 | S 970010H03 | 針 (DB×1-2 #11) | Needle (DB×1-2 #11) | 1 | | | | | | | | | ○ | ○ | | | | |
| | MF 72B0 128 | S 970010H02 | 針 (DB×1-2 #21) | Needle (DB×1-2 #21) | 1 | | | | | | | | | ○ | ○ | | | | |
| | MF 23C0 128 | S 970002H04 | 針 (DB×1 #23) | Needle (DB×1 #23) | 1 | | | | | | | | | ○ | ○ | | | | |
| 70 | MF 21D0 181 | W468259H01 | 糸案内(針棒) | Needle bar thread guide | 1 | ○ | ○ | ○ | ○ | ○ | ○ | ○ | ○ | ○ | ○ | | | | |
| 71 | M9 0802 003 | W502074H01 | 丸平ネジ 1/8(44)×4.5 | Needle clamp screw 1/8(44)×4.5 | 1 | ○ | ○ | ○ | ○ | ○ | ○ | ○ | ○ | ○ | ○ | | | | |
| 72 | MF 10A1 181 | W502073H01 | 糸案内(針棒メタル下) | Thread guide | 1 | ○ | ○ | ○ | ○ | ○ | ○ | ○ | ○ | ○ | ○ | | | | |
| 73 | MF 10A0 664 | W450055H01 | メタル(針棒下) | Needle bar bushing (lower) | 1 | ○ | ○ | ○ | ○ | ○ | ○ | ○ | ○ | ○ | ○ | | | | |
| 74 | M9 1102 001 | W500489H01 | 頭ナシ止メネジ 11/64(40)×2.7 | Set screw 11/64(40)×2.7 | 1 | ○ | ○ | ○ | ○ | ○ | ○ | ○ | ○ | ○ | ○ | | | | |
| 75 | MF 40A0 660 | W474835H02 | 針棒 | Needle bar | 1 | ○ | ○ | | | | | | | ○ | ○ | | | | |
| | MF 42B0 660 | W475437H02 | 針棒 | Needle bar | 1 | | | ○ | ○ | ○ | ○ | | | | | | | | |
| 76 | MF 10A0 663 | W450052H01 | メタル(針棒上) | Needle bar bushing (Upper) | 1 | ○ | ○ | ○ | ○ | ○ | ○ | ○ | ○ | ○ | ○ | | | | |
| 77 | M9 1503 001 | B 588971H01 | 頭ナシ止メネジ 15/64(28)×4.5 | Set screw 15/64(28)×4.5 | 1 | ○ | ○ | ○ | ○ | ○ | ○ | ○ | ○ | ○ | ○ | | | | |
| 78 | M9 0880 080 | W501320H01 | ゴム栓 8.8φ | Rubber plug 8.8φ | 1 | ○ | ○ | ○ | ○ | ○ | ○ | ○ | ○ | ○ | ○ | | | | |

DB-189

上軸・豎軸關係

ARM SHAFT & VERTICAL SHAFT MECHANISM

DB-189



上軸・豎軸関係

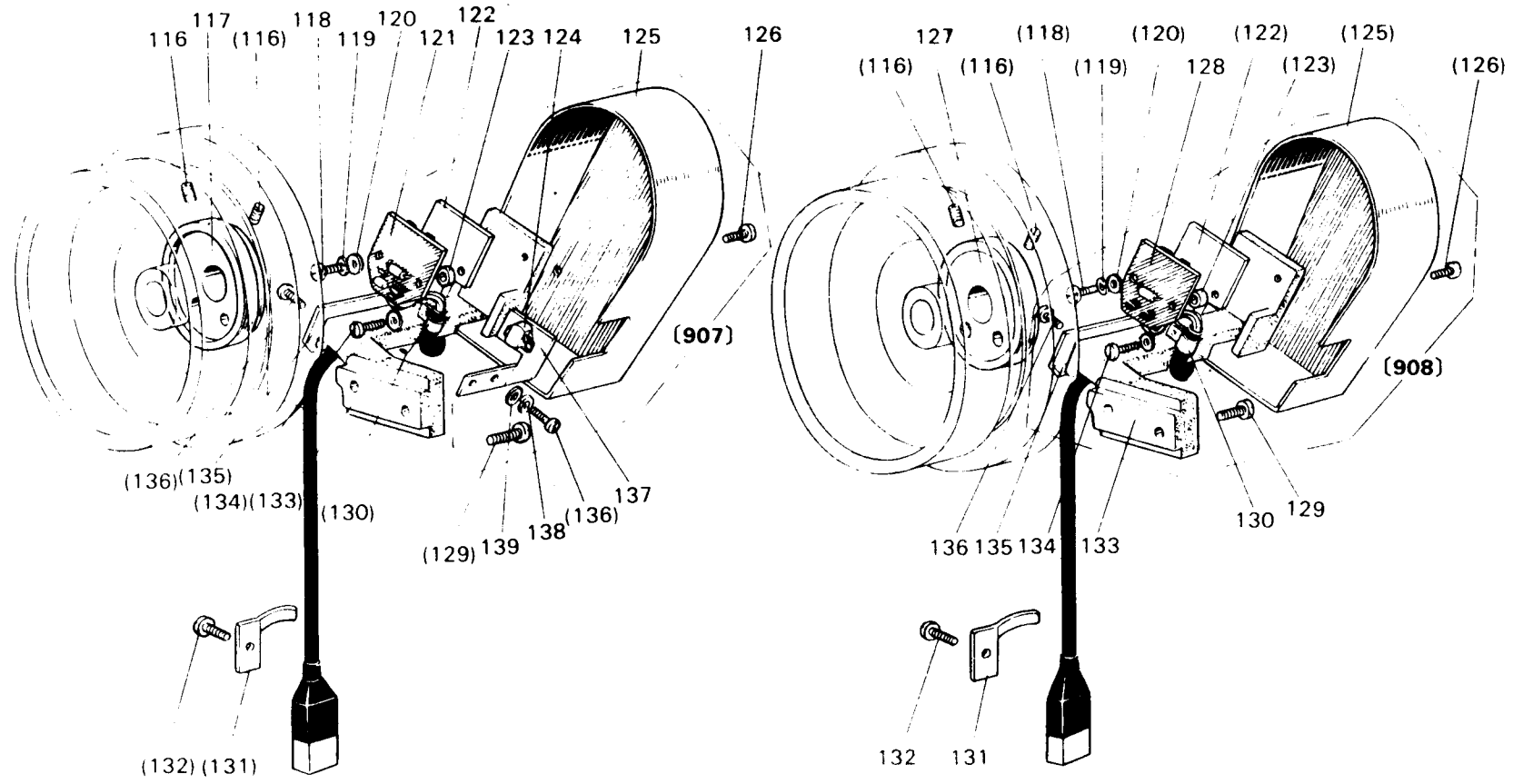
ARM SHAFT & VERTICAL SHAFT MECHANISM

| Fig No | 部品コード Parts No | 資材コード Ref. No. | 部 品 名 | Description | 使用 個数 Amt. Req. | 共通部品 Common Parts | | | | | | | | | | | | | |
|--------|-------------------|-------------------|-----------------------|------------------------------------|--------------------------|-------------------|------------|------------|--------------|------------|--------------|--------------|--------------|--|--|--|--|--|--|
| | | | | | | DB-189-10M | DB-189-11M | DB-189-12M | DB-189-12.7M | DB-189-13M | DB-189-13.7M | DB-189-1CW8M | DB-189-1CW8V | | | | | | |
| 81 | M9 2001 011 | W502474H01 | 丸 皿 ネ シ 5 16(28)×7 | Screw for arm shaft front | 1 | | | | | | | | | | | | | | |
| 82 | MF 10A2 740 | W500003H01 | フ ェ ル ト | Felt for arm shaft front | 3 | | | | | | | | | | | | | | |
| 83 | MF 10A0 500 | W501905H01 | 栓 | Alumi-plug for arm shaft front | 1 | | | | | | | | | | | | | | |
| 84 | MF 40A1 232 | W471468H01 | 蓋(上軸メタル左) | Caver for arm shaft bushing (left) | 1 | | | | | | | | | | | | | | |
| 85 | M9 1516 001 | W500006H01 | 頭ナシ止メネジ 15/64(28)×15 | Set screw 15/64(28)×15 | 3 | | | | | | | | | | | | | | |
| 86 | MF 40A2 232 | W486364H01 | メ タ ル (上軸左) | Arm shaft bushing (left) | 1 | | | | | | | | | | | | | | |
| 905 | MF 40E0 232 | W471469G02 | メ タ ル (上軸左) (組) | Arm shaft bushing(left)complete | 1 | ○ | ○ | ○ | ○ | ○ | ○ | ○ | ○ | | | | | | |
| 87 | M9 1602 001 | W500036H01 | 頭ナシ止メネジ 1/4(40)×4 | Set screw 1/4(40)×4 | 10 | | | | | | | | | | | | | | |
| 88 | MF 10A5 352 | W470214H01 | カ ラ ー | Arm shaft collar | 1 | | | | | | | | | | | | | | |
| 89 | MF 40A0 234 | W473519H01 | メ タ ル (上軸中) | Arm shaft bushing (middle) | 1 | | | | | | | | | | | | | | |
| 90 | M9 1602 005 | W502914H01 | 棒先止メネジ 1/4(40)×7.5 | Set screw 41/4(40)×7.5 | 1 | | | | | | | | | | | | | | |
| 91 | MF 40A0 350 | W336666H01 | カ ム | Special cam | 1 | | | | | | | | | | | | | | |
| 92 | M9 1607 001 | W478184H01 | 頭ナシ止メネジ 1/4(40)×4 | Set screw 1/4(40)×4 | 1 | | | | | | | | | | | | | | |
| 93 | MF 40A0 331 | P 611003X02 | 傘 歯 車 (上軸) | Bevel gear (arm shaft) | 1 | | | | | | | | | | | | | | |
| 94 | MF 40A2 230 | W341654H02 | 上 軸 | Arm shaft | 1 | | | | | | | | | | | | | | |
| 906 | MF 10E0 280 | W462629G01 | 偏 心 輪 (組) | Feed cam complete | 1 | ○ | ○ | ○ | ○ | ○ | ○ | ○ | ○ | | | | | | |
| 95 | MF 10A0 233 | W450078H01 | メ タ ル (上軸右) | Arm shaft bushing (right) | 1 | | | | | | | | | | | | | | |
| 96 | M9 1473 086 | W481476H01 | オイルシール | Oil seal for arm shaft back | 1 | | | | | | | | | | | | | | |
| 97 | M9 0740 080 | W478175H01 | ゴ ム 栓 7.4φ | Rubber plug 7.4φ | 1 | | | | | | | | | | | | | | |
| 98 | M9 1502 002 | W500509H01 | 平 ネ ジ 15/64(28)×12 | Set screw 15/64(28)×12 | 2 | | | | | | | | | | | | | | |
| 99 | MF 10A0 682 | W453500H01 | フ ー リ ー (新) | Balance wheel | 1 | | | | | | | | | | | | | | |
| 100 | MF 10E0 384 | W327620G01 | 連 接 桿 (組) (クランクロッド) | Crankrod complete | 1 | | | | | | | | | | | | | | |
| 101 | MF 40A0 744 | W335904H01 | フ タ 又 | Feed forked connection | 1 | | | | | | | | | | | | | | |
| | MF 40A1 744 | W336697H01 | フ タ 又 (7mm) | Feed forked conneation(7mm) | 1 | | | | | | | | | | | | | | |
| 102 | MF 40A0 332 | P 611002X02 | 傘 歯 車 (下軸) | Bevel gear (hook shaft) | 1 | | | | | | | | | | | | | | |
| 103 | MF 40A0 334 | P 611001X02 | 傘 歯 車 (豎軸下) | Bevel gear (verticalshaft lowerl) | 1 | | | | | | | | | | | | | | |
| 104 | M9 1513 001 | B 509060H01 | 頭ナシ止メネジ 15/64(28)×11 | Set screw 15/64(28)×11 | 6 | | | | | | | | | | | | | | |
| 105 | MF 10A0 522 | W450082H01 | メ タ ル (豎軸下) | Vertical shaft bushing (under) | 1 | | | | | | | | | | | | | | |
| 106 | M9 1503 001 | B 508971H01 | 頭ナシ止メネジ 15/64(28)×4.5 | Set screw 15/64(28)×4.5 | 2 | | | | | | | | | | | | | | |
| 107 | MF 10A0 352 | B 422844H01 | カ ラ ー | Vertical shaft collar | 1 | | | | | | | | | | | | | | |
| 108 | MF 10A0 520 | W450080H01 | 軸 (豎軸) | Vertical shaft | 1 | | | | | | | | | | | | | | |
| 109 | MF 10A0 521 | W450081H01 | メ タ ル (豎軸上) | Vertical shaft bushing(upper) | 1 | | | | | | | | | | | | | | |
| 110 | MF 40A0 333 | P 611000X02 | 傘 歯 車 (豎軸上) | Bevel gear (vertical shaft upper) | 1 | | | | | | | | | | | | | | |

DB-189

検出器関係
DETECTOR MECHANISM

DB-189



検出器関係

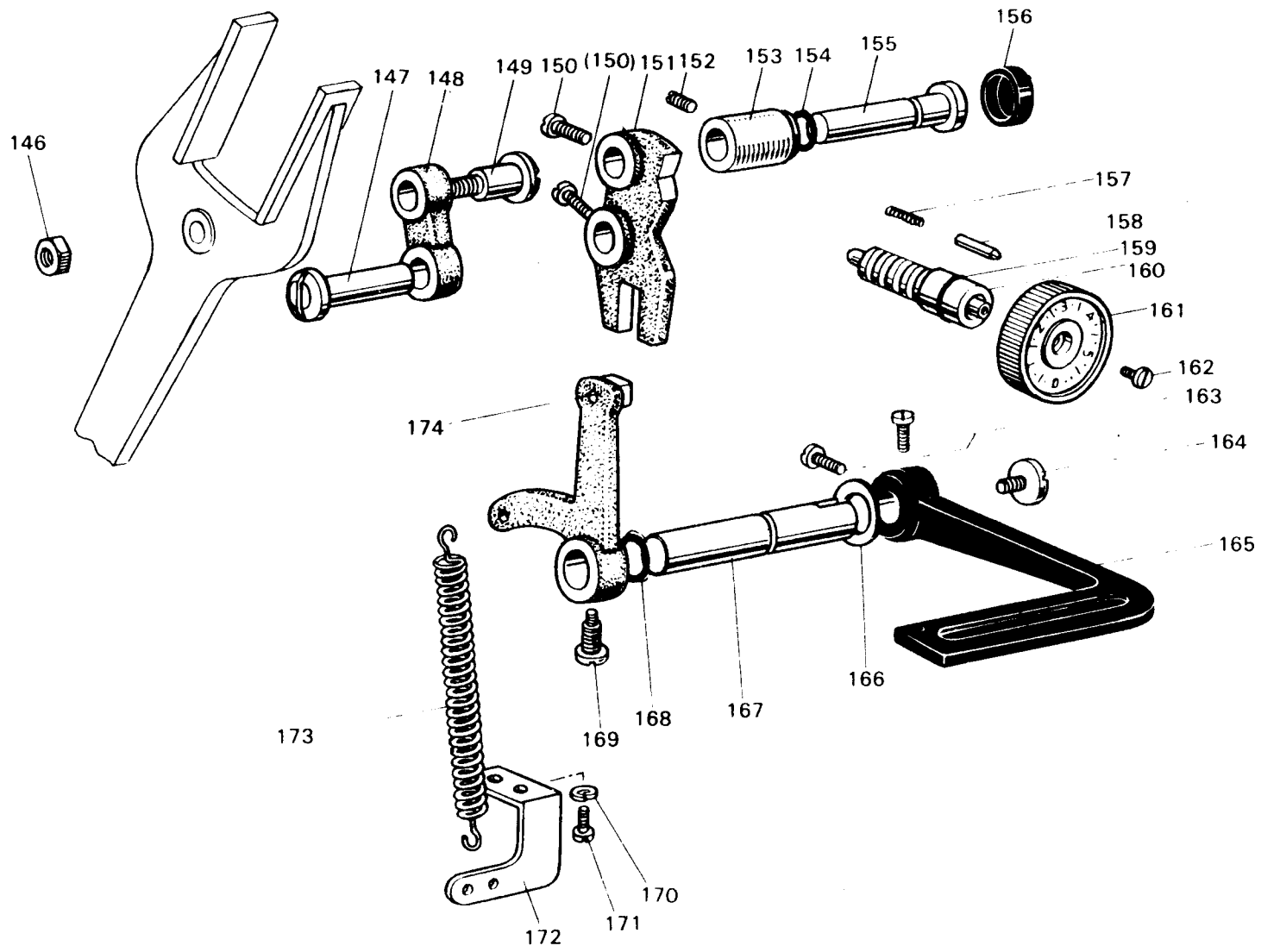
DETECTOR MECHANISM

| Fig. No. | 部品コード Parts No. | 資材コード Ref. No. | 部 品 名 | Description | 使用 個数 Amt. Req. | 共通部品 Common Parts | | | | | | | | |
|-----------------------|--------------------|-------------------|------------------------|---------------------------------------|--------------------------|----------------------|------------|------------|--------------|------------|--------------|---------------|---------------|--|
| | | | | | | DB-189-10M | DB-189-11M | DB-189-12M | DB-189-12.7M | DB-189-13M | DB-189-13.7M | DB-189-10FVBM | DB-189-10FVBY | |
| 116 | M9 1111 001 | B 503852H01 | 頭ナシ止メネジ 11 64(40)×10 | Set screw (for. Fig.117) 11 64(40)×10 | 2 | | | | | | | | | |
| 117 | MF 40E0 602 | W479382G01 | 取付ケリング (組) V形 | Coupling for V-motor | 1 | | | | | | | | | |
| 118 | M9 0411 037 | S 512131H09 | P ナベネジ 4×10 | Screw (for. Fig.121) M4×10 | 2 | | | | | | | | | |
| 119 | M9 0401 053 | S 561121H03 | ハネ座金 4 | Spring washer 4 | 2 | | | | | | | | | |
| 120 | M9 0413 050 | S 562121H03 | 小形丸座金 4 | Washer 4 | 2 | | | | | | | | | |
| 121 | MF 40E0 372 | W339673G01 | 基盤組立 V形 | V-type condenser plate complete | 1 | | | | | | | | | |
| 122 | MF 40A0 601 | W478191H01 | ヨーク (取付板) (検出器) | Set plate for detector | 1 | | | | | | | | | |
| 123 | MF 40A0 476 | P 693000X01 | スペーサ 2×4.1×1 (検出器) | Spacer | 2 | | | | | | | | | |
| 124 | MF 40A0 406 | P 469003X01 | ヘッソト (検出器) | Detector | 1 | | | | | | | | | |
| 125 | MF 40A2 339 | W339691H01 | 検出器カバー | Cover for detector | 1 | | | | | | | | | |
| 126 | M9 1109 002 | W500511H01 | 平ネジ 11 64(40)×7 | Screw for cover 11/64(40)×7 | 2 | | | | | | | | | |
| 127 | MF 40E1 602 | W478193G01 | 取付ケリング (組) M形 | Coupling for M-motor | 1 | | | | | | | | | |
| 128 | MF 40E1 372 | W339639G01 | 基盤組立 M形 | M-type condenser plate complete | 1 | | | | | | | | | |
| 129 | M9 1510 002 | W500676H01 | 平ネジ 15 64(28)×12 | Screw (for. Fig.133) 15/64(28)×12 | 2 | | | | | | | | | |
| 130 | MF 40A1 415 | S 452001H02 | ナイロンクリップ (コード押エ) NP-3N | Cord holder NP-3N | 1 | | | | | | | | | |
| 131 | MF 40A2 415 | W476457H01 | ホルダ (コード押エ) | Cord holder | 1 | | | | | | | | | |
| 132 | M9 0906 002 | W500791H01 | 平ネジ 9 64(40)×4.5 | Screw (for. Fig.131) 9/64(40)×4.5 | 1 | | | | | | | | | |
| 133 | MF 40A1 781 | W227499H01 | ホルダ台 (取付台) | Holding base | 1 | | | | | | | | | |
| 134 | M9 0410 037 | S 512131H08 | P ナベネジ 4×8 | Screw 4×8 | 1 | | | | | | | | | |
| 135 | MF 40A2 780 | W472745H01 | ホルダ | Cord cover | 1 | | | | | | | | | |
| 136 | M9 1102 004 | W467880H01 | ブラマイネジ 11/64(40)×10 | Screw 11/64(40)×10 | 4 | | | | | | | | | |
| 137 | MF 40A1 601 | W479380H01 | 取付板 (検出器) | Set plate for detector | 1 | | | | | | | | | |
| 138 | M9 0501 053 | S 561121H04 | ハネ座金 5 | Spring washer 4 | 2 | | | | | | | | | |
| 139 | M9 0409 050 | S 562131H02 | ミガキ座金 4 | Washer 4 | 2 | | | | | | | | | |
| 907 | MF 40E0 406 | W341661G01 | 検出器 (組) V形 | Detector complete (V-type) + Z TYPE | 1 | | | | | | | | ○ | |
| 908 | MF 40E1 406 | W341660G01 | 検出器 (組) M形 | Detector complete (M-type) | 1 | ○ | ○ | ○ | ○ | ○ | ○ | ○ | | |
| LAG. Ring - MF40E0602 | | | | | | | | | | | | | | |
| SYN. - MF90E0406 | | | | | | | | | | | | | | |
| XCK-19 - K14MXCKB19PC | | | | | | | | | | | | | | |

送り調節器・関係

STITCH LENGTH REGULATOR MECHANISM

DB-189



送り調節器・関係

STITCH LENGTH REGULATOR MECHANISM

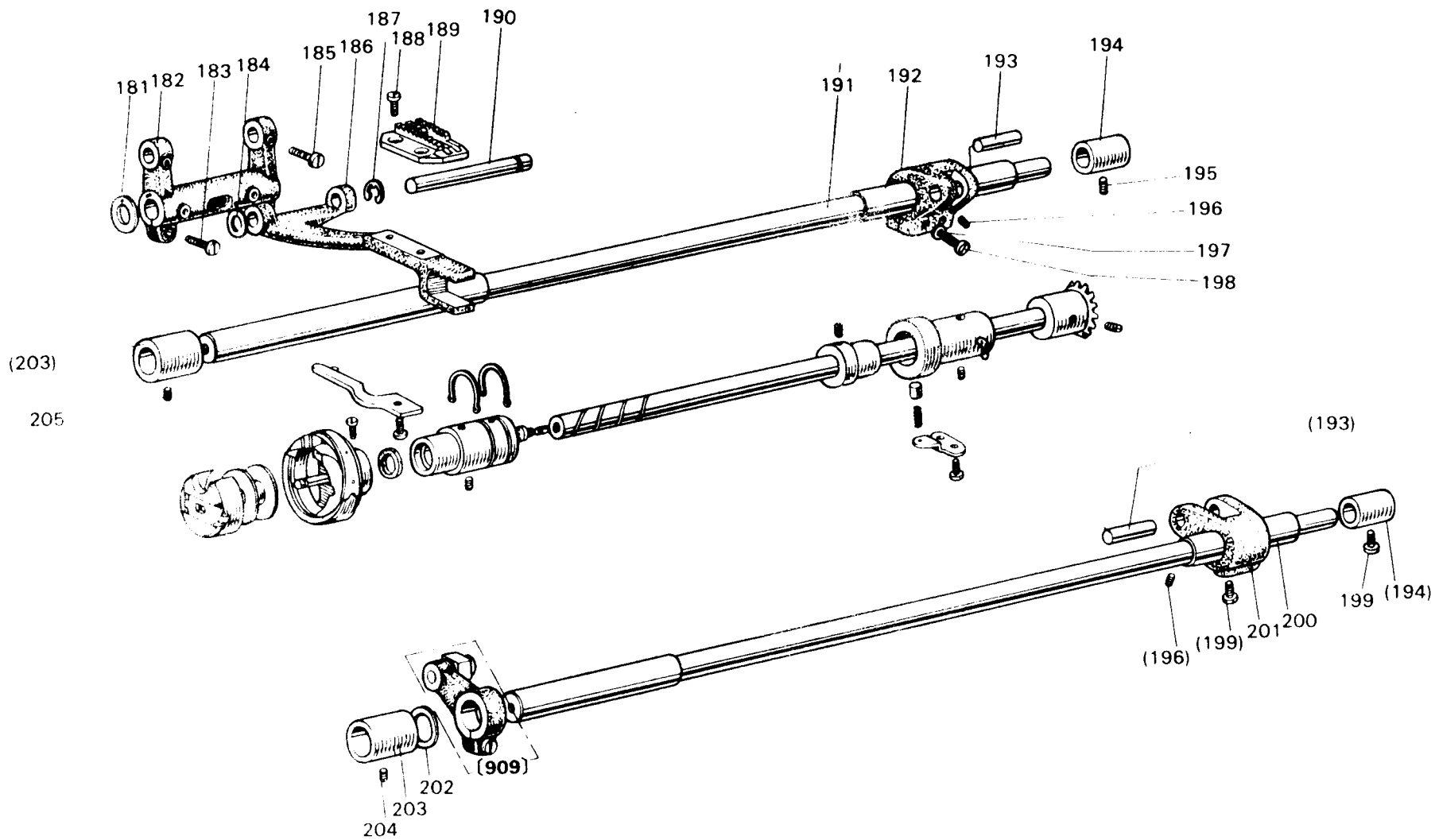
| Fig No. | 部品コード Parts No | 資材コード Ref No | 部 品 名 | Description | 使用 個数 Amt. Req | 共通部品 Common Parts | | | | | | | | | | | | | |
|---------|-------------------|-----------------|-------------------------|----------------------------------|-------------------------|----------------------|------------|------------|--------------|------------|--------------|---------------|---------------|--|--|--|--|--|--|
| | | | | | | DB-189-0M | DB-189-11M | DB-189-12M | DB-189-12.7M | DB-189-13M | DB-189-13.7M | DB-189-10FW6M | DB-189-10FW8V | | | | | | |
| 146 | M9 1802 045 | B 508961H01 | ナ ッ ト 9 32(28) | Nut 9 32(28) | 1 | | | | | | | | | | | | | | |
| 147 | M9 0905 063 | W501377H01 | 特 殊 ヒ ン (平ピン) | Set pin | 1 | | | | | | | | | | | | | | |
| 148 | MF 10A0 153 | W447215H01 | 案内テコ継キ(連接桿) | Feed connecting link | 1 | | | | | | | | | | | | | | |
| 149 | M9 1807 015 | W501406H01 | 段 付 平 ネ ジ 9 32(28)・23.3 | Screw 9 32(28)・23.3 | 1 | | | | | | | | | | | | | | |
| 150 | M9 1504 002 | B 508963H01 | 平ネン(案内テコ) 15 64(28)・10 | Set screw 15 64(28)・10 | 2 | | | | | | | | | | | | | | |
| | MF 10A0 152 | W447221H01 | 案内テコ(送り調節カム) | Feed regulator | 1 | | | | | | | | | | | | | | |
| 151 | MF 74B0 152 | W336661H01 | 案内テコ(送り調節カム)(7mm) | Feed regulator(7mm) | 1 | | | | | | | | | | | | | | |
| 152 | M9 1513 001 | B 509060H01 | 頭ナン止メネン 15 64(28)・11 | Set screw 15 64(28)・11 | 1 | | | | | | | | | | | | | | |
| 153 | MF 70A0 750 | W479396H02 | フック | Feed regulator busing | 1 | | | | | | | | | | | | | | |
| 154 | M9 0500 085 | S 648001H03 | O リ ン グ IAP5 | O-ring IAP5 | 1 | | | | | | | | | | | | | | |
| 155 | M9 0904 063 | W479395H01 | 段 付 軸 (案内テコ) (9φ×41) | Set pin 9φ×41 | 1 | | | | | | | | | | | | | | |
| 156 | M9 2001 080 | W479394H01 | コ ム 栓 20φ | Rubber cap 20φ | 1 | | | | | | | | | | | | | | |
| 157 | MF 10A2 572 | B 509164H01 | ツル巻バネ | Spring | 1 | | | | | | | | | | | | | | |
| 158 | MF 10A0 852 | B 419163H01 | 戻り止メ(ピン) | Stopper pin | 1 | | | | | | | | | | | | | | |
| 159 | M9 1000 085 | S 648001H06 | O リ ン グ IAP10 | O-ring IAP10 | 1 | | | | | | | | | | | | | | |
| 160 | MF 40A0 297 | W447227H01 | 送り調節ネン | Screw bar | 1 | | | | | | | | | | | | | | |
| | MF 10A0 631 | W331475H01 | ダイヤル 0 5 | Stitch length regulator dial | 1 | | | | | | | | | | | | | | |
| 161 | MF 11D0 631 | W331486H01 | ダイヤル 0 4 | Stitch length regulator dial | 1 | | | | | | | | | | | | | | |
| | MF 26B0 631 | W331487H01 | ダイヤル 0 7 | Stitch length regulator dial 7mm | 1 | | | | | | | | | | | | | | |
| 162 | M9 1209 002 | B 503887H01 | 平ネン 3/16(28)×8 | Screw 3/16(28)×8 | 1 | | | | | | | | | | | | | | |
| 163 | M9 1501 002 | W502945H01 | 平ネン 15/64(28)×8.5 | Set screw 15/64(28)×8.5 | 2 | | | | | | | | | | | | | | |
| 164 | M9 1207 003 | B 509288H01 | 丸平ネン 3/16(28)×6.5 | Screw 3/16(28)×6.5 | 1 | | | | | | | | | | | | | | |
| 165 | MF 26B0 632 | W465387H01 | 縫目加減レバー | Reverse sewing lever | 1 | | | | | | | | | | | | | | |
| 166 | M9 5003 053 | B 503895H01 | バネ座金 | Spring washew | 1 | | | | | | | | | | | | | | |
| 167 | MF 10A0 633 | W450088H01 | 縫目加減軸 | Shaft | 1 | | | | | | | | | | | | | | |
| 168 | M9 0600 085 | S 648001H04 | O リ ン グ IAP6 | O-ring IAP6 | 1 | | | | | | | | | | | | | | |
| 169 | M9 1501 007 | B 509256H01 | 棒先止メネン 15 64(28)×14.5 | Set screw 15/64(28)×14.5 | 1 | | | | | | | | | | | | | | |
| 170 | M9 0601 053 | S 561121H05 | バネ座金 6 | Spring washer 6 | 2 | | | | | | | | | | | | | | |
| 171 | M9 1505 002 | W500183H01 | 平ネン 15 64(28)×13.5 | Screw 15/64(28)×13.5 | 2 | | | | | | | | | | | | | | |
| 172 | MF 40A1 708 | W476443H01 | 掛金 | Braket | 1 | | | | | | | | | | | | | | |
| 173 | MF 10A0 572 | W447225H01 | ツル巻バネ | Spring | 1 | | | | | | | | | | | | | | |
| 174 | MF 10E0 635 | W462614G01 | 縫目加減腕(角駒付き) | Reverse sewing crank | 1 | | | | | | | | | | | | | | |

DB-189

水平送り軸・上下送り軸関係

FEED ROCK SHAFT & FEED LIFTING ROCK SHAFT MECHANISM

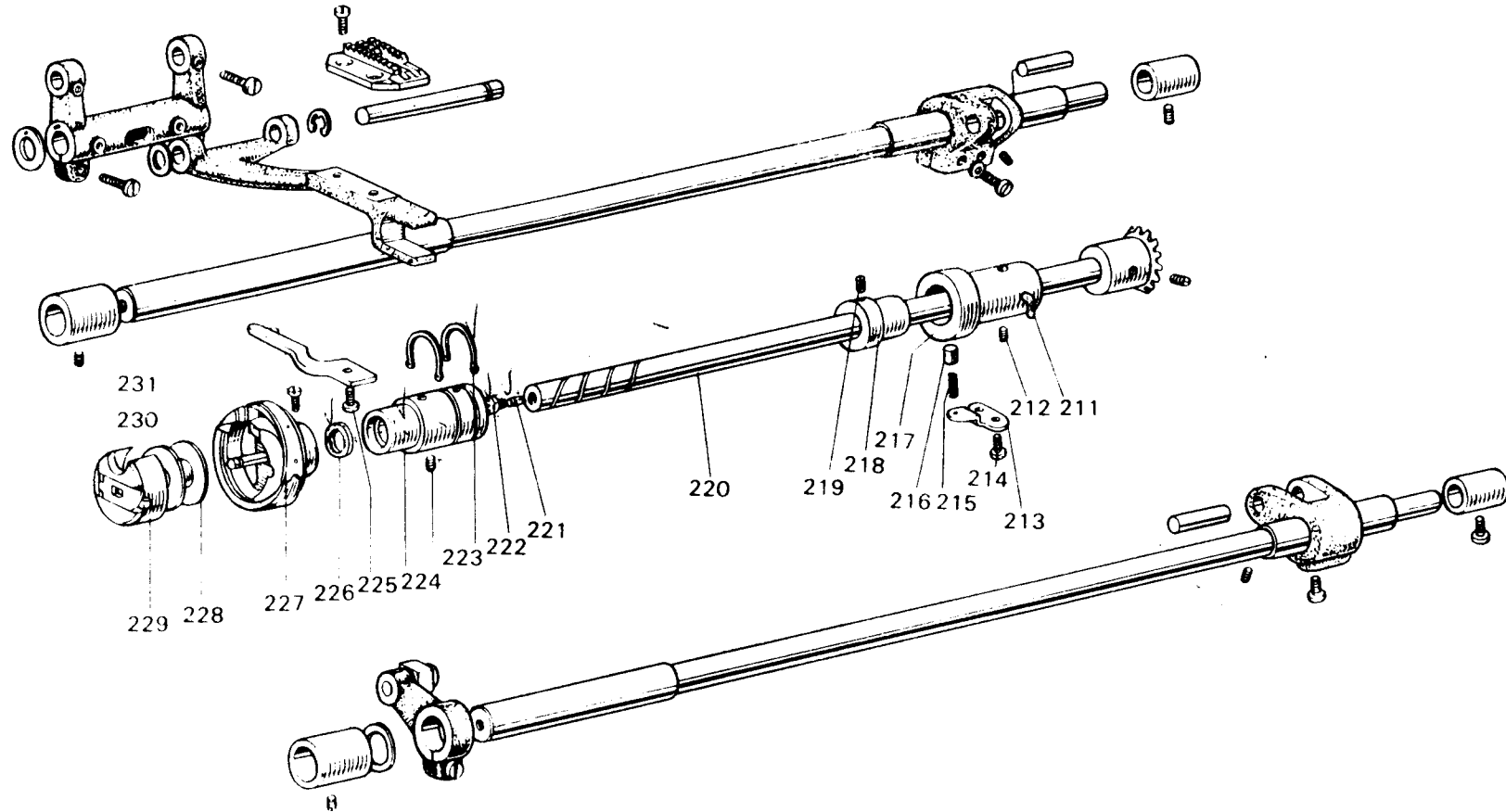
DB-189



下軸・カマ関係

ROTATING HOOK SHAFT & ROTATING HOOK MECHANISM

DB-189



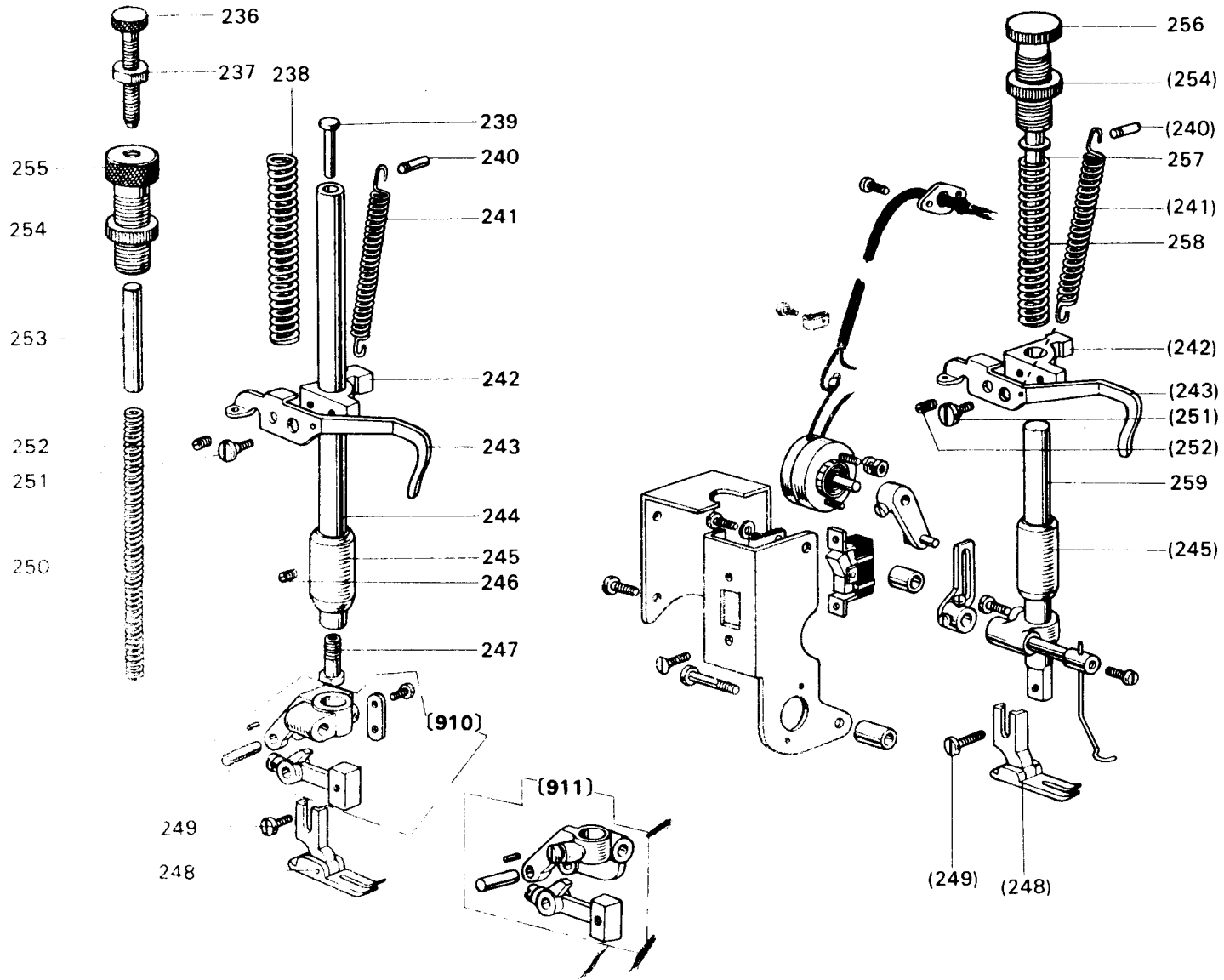
下軸・カマ関係

ROTATING HOOK SHAFT & ROTATING HOOK MECHANISM

| Fig. No. | 部品コード Parts No. | 資材コード Ref. No. | 部 品 名 | Description | 使用 個数 Amt. Req. | 共通部品 Common Parts | | | | | | | | | | | | | |
|----------|--------------------|-------------------|------------------------|------------------------------------|--------------------------|----------------------|------------|------------|--------------|------------|--------------|---------------|---------------|--|--|--|--|--|--|
| | | | | | | DB-189-10M | DB-189-11M | DB-189-12M | DB-189-12-7M | DB-189-13M | DB-189-13-7M | DB-189-10FWBM | DB-189-10FWBY | | | | | | |
| 211 | MT 40A0 688 | W467871H01 | ハ イ プ | Oil pip | 1 | ○ | ○ | ○ | ○ | ○ | ○ | | | | | | | | |
| 212 | M9 1513 001 | B 509060H01 | 頭ナシ止メネジ 15/64(28)×11 | Set screw 15/64(28)×11 | 2 | ○ | ○ | ○ | ○ | ○ | ○ | | | | | | | | |
| 213 | MF 10A0 154 | W467869H01 | 案内板 | Guide plate | 1 | ○ | ○ | ○ | ○ | ○ | ○ | | | | | | | | |
| 214 | M9 1504 002 | B 508963H01 | 平ネジ 15/64(28)×10 | Set screw 15/64(28)×10 | 2 | ○ | ○ | ○ | ○ | ○ | ○ | | | | | | | | |
| 215 | MF 10A1 572 | W468847H01 | ツル巻バネ | Spring | 1 | ○ | ○ | ○ | ○ | ○ | ○ | | | | | | | | |
| 216 | M9 5001 063 | W461713H01 | 特殊ピン | Specil pin | 1 | ○ | ○ | ○ | ○ | ○ | ○ | | | | | | | | |
| 217 | MF 10A1 452 | W461709H01 | メタル (下軸右) | Rotating hook shaft bushing | 1 | ○ | ○ | ○ | ○ | ○ | ○ | | | | | | | | |
| 218 | MF 10A0 760 | W461710H01 | 偏心輪 | Eccentric link | 1 | ○ | ○ | ○ | ○ | ○ | ○ | | | | | | | | |
| 219 | M9 1506 001 | B 509087H01 | 頭ナシ止メネジ 15/64(28)×7 | Set screw 15/64(28)×7 | 2 | ○ | ○ | ○ | ○ | ○ | ○ | | | | | | | | |
| 220 | MF 20A0 450 | W460515H01 | 下軸 | Rotating hook shaft | 1 | ○ | ○ | ○ | ○ | ○ | ○ | | | | | | | | |
| 221 | MF 10E3 148 | W500231H01 | 紐 3φ×25 | Oil cotton braid 3φ×25 | 1 | ○ | ○ | ○ | ○ | ○ | ○ | | | | | | | | |
| 222 | M9 1251 030 | W500190H01 | 特殊ネジ 3/16(32)×6.7 | Special screw 3/16(32)×6.7 | 1 | ○ | ○ | ○ | ○ | ○ | ○ | | | | | | | | |
| 223 | M9 0320 065 | S 591411H02 | C形止メ輪(軸) 20 | C-typ stop ring | 2 | ○ | ○ | ○ | ○ | ○ | ○ | | | | | | | | |
| 224 | MF 40A0 451 | W473523H01 | メタル (下軸左) | Rotating hook shaft bushing (left) | 1 | ○ | ○ | ○ | ○ | ○ | ○ | | | | | | | | |
| 225 | M9 1118 002 | B 509061H01 | 平ネジ 11/64(40)×10 | Screw 11/64(40)×10 | 1 | ○ | ○ | ○ | ○ | ○ | ○ | | | | | | | | |
| 226 | M9 0800 086 | P 625001X01 | オイルシール G8×12×3 | Oil seal G8×12×3 | 1 | ○ | ○ | ○ | ○ | ○ | ○ | | | | | | | | |
| 227 | MF 40A0 120 | P 975023X01 | カマ (HSL-BTR)(M) (標準) | Rotating hook complete | 1 | ○ | ○ | | | | ○ | | | | | | | | |
| | MF 42B0 120 | P 975025X01 | カマ (HSL-BOHN)(TR) (厚物) | Rotating hook complete | 1 | | | ○ | ○ | ○ | ○ | | | | | | | | |
| 228 | MF 36A0 123 | W461729H01 | ボビン | Bobbin | 1 | ○ | | ○ | ○ | ○ | ○ | | | | | | | | |
| | MF 41D0 123 | W466807H01 | ボビン | Bobbin | 1 | ○ | | | | | | | | | | | | | |
| 229 | MF 40E1 125 | P 976006X02 | ボビンケース | Bobbin case | 1 | ○ | ○ | ○ | ○ | ○ | ○ | | | | | | | | |
| 230 | M9 1101 002 | W500194H01 | 平ネジ 11/64(40)×4 | Set screw 11/64(40)×4 | 2 | ○ | ○ | ○ | ○ | ○ | ○ | | | | | | | | |
| 231 | MF 17B0 229 | W470246H01 | 内釜止メ | Rotating hook positoner | 1 | | | ○ | ○ | ○ | ○ | | | | | | | | |
| | MF 10A0 229 | W462633H01 | 内釜止メ | Rotating hook positoner | 1 | ○ | ○ | | | | | ○ | | | | | | | |

フローティング押工関係
FLOWTING FOOT MECHANISM

DB-189



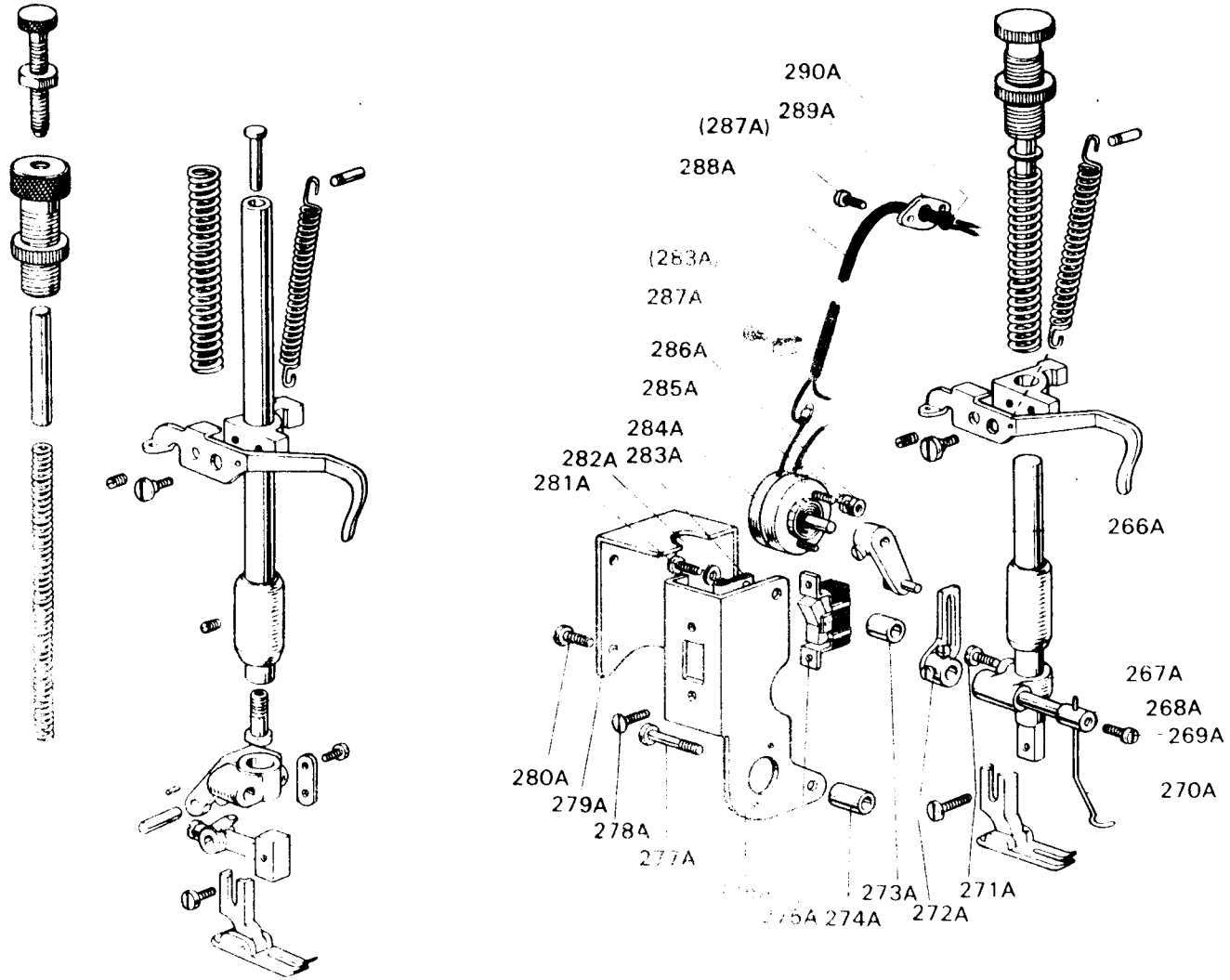
フローティング押工関係 FLOWTING FOOT MECHANISM

| Fig. No. | 部品コード Parts No. | 資材コード Ref. No. | 部 品 名 | Description | 使用 個数 Amt. Req. | 共通部品 Common Parts | | | | | | | | | | | |
|-------------|--------------------|-------------------|---------------------------|------------------------------------|--------------------------|-------------------|------------|------------|--------------|------------|--------------|---------------|---------------|--|--|--|--|
| | | | | | | DB-189-10M | DB-189-11M | DB-189-12M | DB-189-12.7M | DB-189-13M | DB-189-13.7M | DB-189-10FWBM | DB-189-10FWBY | | | | |
| 236 | M9 1501 035 | W456548H01 | ツ マ ミ ネ ジ 15/64(28)×48 | Thumb screw 15/64(28)×48 | 1 | | | | | | | ○ | ○ | | | | |
| 237 | M9 1501 045 | B 509260H01 | ナ ッ ト 15/64(28) | Nut 15/64(28) | 1 | | | | | | | ○ | ○ | | | | |
| 238 | MQ 50A1 259 | W456549H01 | ツ ル 卷 バ ネ | Presser spring | 1 | | | | | | | ○ | ○ | | | | |
| 239 | M9 0301 063 | W474372H02 | 段 付 ビ ン 3φ×32 | Pin 3φ×32 | 1 | | | | | | | ○ | ○ | | | | |
| 240 | M9 0409 063 | W468766H01 | 特 殊 ビ ン (溝付) 4φ×12 | Pin 4φ×12 | 1 | | | | | | | ○ | ○ | | | | |
| 241 | MF 40A2 572 | W475404H01 | ツ ル 卷 バ ネ ツ | Spring | 1 | | | | | | | ○ | ○ | | | | |
| 242 | MF 40A0 265 | W475400H01 | 押 エ 棒 ダ キ | Presser bar holder | 1 | ○ | ○ | | | | | ○ | ○ | | | | |
| | MF 20A0 265 | W467222H01 | 押 エ 棒 ダ キ | Presser bar holder | 1 | | | ○ | ○ | ○ | ○ | | | | | | |
| 243 | MF 40A1 181 | W475401H01 | 糸 案 内 | Thread guide | 1 | ○ | ○ | | | | | ○ | ○ | | | | |
| | MF 10A0 216 | W502083H01 | 糸 案 内 | Thread guide | 1 | | | ○ | ○ | ○ | ○ | | | | | | |
| 244 | MN 10A0 660 | W445878H01 | 押 エ 棒 (F) (DN針棒兼用) | Presser bar for flowting | 1 | | | | | | | ○ | ○ | | | | |
| 245 | MF 10A0 267 | W502081H01 | メ タ ル (押エ棒) | Presser bar bushing(lower) | 1 | | | | | | | ○ | ○ | | | | |
| 246 | M9 1102 001 | W500489H01 | 頭ナシ止メネジ 11/64(40)×2.7 | Set screw 11/64(40)×2.7 | 2 | | | | | | | ○ | ○ | | | | |
| 247 | M9 1601 030 | W474371H01 | 特 殊 ネ ジ (F) 1/4(32)×24 | Special screw 1/4(32)×24 | 1 | | | | | | | ○ | ○ | | | | |
| 910 | MF 40E2 603 | W339641G02 | 取 付 台 (組) (右ハネ式ワイバ用) | Presser foot base for wiper | 1 | | | | | | | ○ | ○ | | | | |
| 911 | MF 40E0 603 | W474370G01 | 取 付 台 (組) (左ハネ式ワイバ用) | Presser foot base for wiper | 1 | | | | | | | ○ | ○ | | | | |
| 248 | MF 40A0 105 | W460563G01 | 押 エ (組) | Presser foot | 1 | ○ | ○ | | | | | ○ | ○ | | | | |
| | MF 23C0 105 | W452333G01 | 押 エ (組) | Presser foot | 1 | | | ○ | ○ | ○ | ○ | | | | | | |
| 249 | M9 0922 002 | W464016H01 | 平 ネ ジ 9/64(40)×8 | Screw 9/64(40)×8 | 1 | ○ | ○ | ○ | ○ | ○ | ○ | ○ | ○ | | | | |
| 250 | MQ 50A0 259 | W446379H01 | ツ ル 卷 バ ネ | Presser-spring | 1 | | | | | | | ○ | ○ | | | | |
| 251 | M9 1103 016 | W475402H01 | 段 付 丸 平 ネ ジ 11/64(40)×4.5 | Screw (for. Fig.242) 11/64(40)×4.5 | 1 | ○ | ○ | | | | | ○ | ○ | | | | |
| | M9 1107 002 | W500092H01 | 平 ネ ジ 11/64(40)×5.5 | Screw (for. Fig.242) 11/64(40)×5.5 | 1 | | | ○ | ○ | ○ | ○ | | | | | | |
| 252 | M9 1503 001 | B 508971H01 | 頭ナシ止メネジ 15/64(28)×4.5 | Screw (for. Fig.242) 15/64(28)×4.5 | 1 | ○ | ○ | | | | | ○ | ○ | | | | |
| | M9 1508 001 | B 509088H01 | 頭ナシ止メネジ 15/64(28)×8 | Screw (for. Fig.242) 15/64(28)×8 | 1 | | | ○ | ○ | ○ | ○ | | | | | | |
| 253 | M9 0601 060 | W474368H02 | ピ ン 6φ×50 | Presser bar guide (6φ×50) | 1 | | | | | | | ○ | ○ | | | | |
| 254 | M9 3201 045 | W471438H01 | 特 殊 ナ ッ ト 1/2(28)×5 | Nut 1/2(28)×5 | 1 | ○ | ○ | ○ | ○ | ○ | ○ | ○ | ○ | | | | |
| 255 | M9 3204 035 | W456547H01 | ツ マ ミ ネ ジ 1/2(28)×5.5 | Thumb screw 1/2(28)×5.5 | 1 | | | | | | | ○ | ○ | | | | |
| 256 | M9 3208 035 | W475490H01 | ツ マ ミ ネ ジ 1/2(28)×5.4 | Thumb screw 1/2(28)×5.4 | 1 | ○ | ○ | ○ | ○ | ○ | ○ | | | | | | |
| 257 | MF 20A0 703 | W475491H01 | 案 内 棒 | Presser spring guide | 1 | ○ | ○ | ○ | ○ | ○ | ○ | | | | | | |
| 258 | MF 10A0 259 | W502444H01 | ツ ル 卷 バ ネ (押エノ字) (標準) | Presser spring | 1 | ○ | ○ | | | | | | | | | | |
| | MF 12B0 259 | W502441H01 | ツ ル 卷 バ ネ (押エノ字) (厚物) | Presser spring | 1 | | | ○ | ○ | ○ | ○ | | | | | | |
| 259 | MF 10A0 262 | W502079H01 | 押 エ 棒 | Presser bar | 1 | ○ | | ○ | ○ | ○ | ○ | | | | | | |
| | MF 11D0 262 | W502943H01 | 押 エ 棒 | Presser bar | 1 | | ○ | | | | | | | | | | |

DB-189

ワイパ (右ハネ) 関係
WIPER (RIGHT MOTION) MECHANISM

DB-189



ワイパ (右ハネ) 関係

WIPER (RIGHT MOTION) MECHANISM

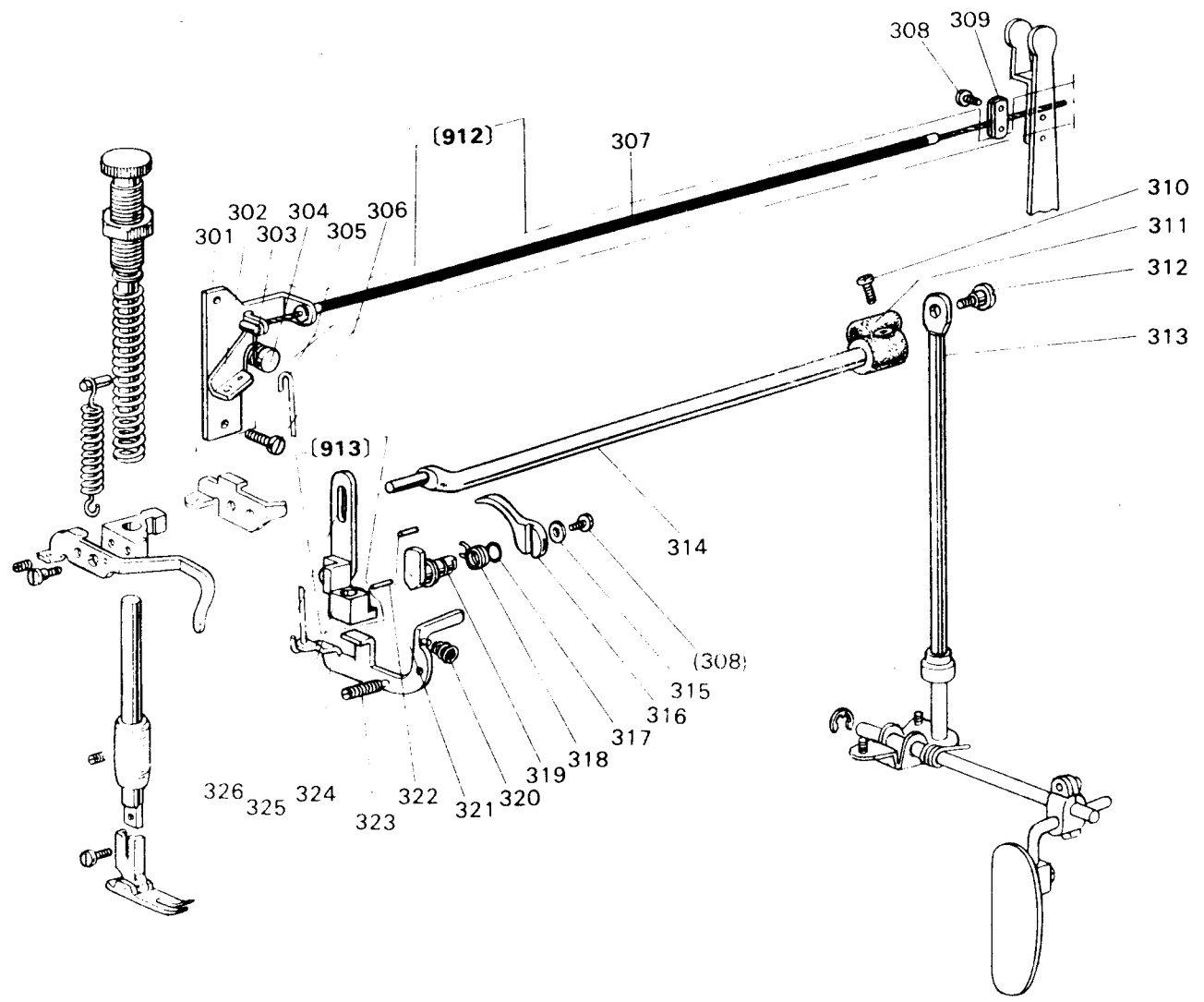
| Fig. No. | 部品コード Parts No. | 資材コード Ref No. | 部 品 名 | Description | 使用 個数 Amt. Req. | 共通部品 Common Parts | | | | | | | | | | | | | |
|-------------|--------------------|------------------|-------------------|------------------------------------|--------------------------|-------------------|------------|------------|--------------|------------|--------------|---------------|---------------|--|--|--|--|--|--|
| | | | | | | DB-189-10M | DB-189-11M | DB-189-12M | DB-189-12.7M | DB-189-13M | DB-189-13.7M | DB-189-10FWBM | DB-189-10FWBY | | | | | | |
| 266A | MF 40A0 983 | W327642G01 | ワイパ駆動板(ピン付) | Wiper connecting arm with pin | 1 | | | | | | | ○ | ○ | | | | | | |
| 267A | MF 40A0 982 | W480484H01 | ワイパ台 | Wiper holder | 1 | | | | | | | ○ | ○ | | | | | | |
| 268A | MF 40A0 530 | W480482H01 | 段付軸(ワイパ) | Wiper stud | 1 | | | | | | | ○ | ○ | | | | | | |
| 269A | M9 0806 002 | B 508857H01 | 平ネジ 1.8(44)×6 | Screw (for. Fig 268) 1/8(44)×6 | 1 | | | | | | | ○ | ○ | | | | | | |
| 270A | MF 40A1 980 | W480483H01 | ワイパ(右ハネ) | Wiper (right side moving) | 1 | | | | | | | ○ | ○ | | | | | | |
| 271A | M9 1102 002 | W500193H01 | 平ネジ 11/64(40)×8.5 | Screw (for. Fig 267) 11/64(40)×8.5 | 1 | | | | | | | ○ | ○ | | | | | | |
| 272A | MF 40A0 981 | W480479G01 | ワイパ従動板(ネジ付) | Wiper connecting plate with screw | 1 | | | | | | | ○ | ○ | | | | | | |
| 273A | MF 40A0 352 | W475495H01 | カラ No.1 | Collar(1) | 1 | | | | | | | ○ | ○ | | | | | | |
| 274A | MF 40A1 352 | W475495H03 | カラ No.2 | Collar(2) | 1 | | | | | | | ○ | ○ | | | | | | |
| 275A | MF 40E2 484 | P 422147X01 | 波動スイッチ MS-035 | Switch MS-035 | 1 | | | | | | | ○ | ○ | | | | | | |
| 276A | MF 40A2 601 | W341621H01 | ソレノイド取付板(ワイパ) | Solenoid set plate | 1 | | | | | | | ○ | ○ | | | | | | |
| 277A | M9 1126 002 | W480476H01 | 平ネジ 11/64(40)×27 | Screw 11/64(40)×27 | 1 | | | | | | | ○ | ○ | | | | | | |
| 278A | M9 0306 037 | S 512131H01 | Pナベネジ 3×6 | Screw 3×6 | 2 | | | | | | | ○ | ○ | | | | | | |
| 279A | MF 40A3 339 | W480477H01 | カバー(ワイパ) | Cover plate for wiper | 1 | | | | | | | ○ | ○ | | | | | | |
| 280A | M9 0909 003 | W501901H01 | 丸平ネジ 9/64(40)×6 | Screw 9/64(40)×6 | 2 | | | | | | | ○ | ○ | | | | | | |
| 281A | M9 1106 003 | W500369H01 | 丸平ネジ 11/64(40)×20 | Screw 11/64(40)×20 | 1 | | | | | | | ○ | ○ | | | | | | |
| 282A | M9 0402 050 | W461040H01 | 座金 4 | Washer 4 | 1 | | | | | | | ○ | ○ | | | | | | |
| 283A | M9 4004 099 | S 452001H03 | ナイロンクリップ HP-4N | Cord holder HP-4N | 2 | | | | | | | ○ | ○ | | | | | | |
| 284A | M9 1005 098 | P 469004X01 | ロータリーソレノイド(右ワイパ) | Rotary solenoid | 1 | | | | | | | ○ | ○ | | | | | | |
| 285A | M9 0301 053 | S 561121H01 | ハネ座金 3 | Spring washer 3 | 2 | | | | | | | ○ | ○ | | | | | | |
| 286A | M9 0871 045 | S 541111H10 | ナット 3 | Nut 3 | 2 | | | | | | | ○ | ○ | | | | | | |
| 287A | M9 0921 002 | B 508848H01 | 平ネジ 9/64(40)×8 | Screw 9/64(40)×8 | 2 | | | | | | | ○ | ○ | | | | | | |
| 288A | M9 7103 099 | W341698H01 | ビニールキャブタイヤコード | Vinyl cap-tire cord for wiper | 1 | | | | | | | ○ | ○ | | | | | | |
| 289A | MF 36A0 257 | W466229H01 | 押エ板(キャブタイヤコード) | Cord holding plate | 1 | | | | | | | ○ | ○ | | | | | | |
| 290A | M9 0600 085 | S 648001H04 | Oリング IAP5 | O-ring 1AP5 | 1 | | | | | | | ○ | ○ | | | | | | |

DB-189

押し上げ関係

PRESSER BAR LIFTING MECHANISM

DB-189



押工上ゲ関係

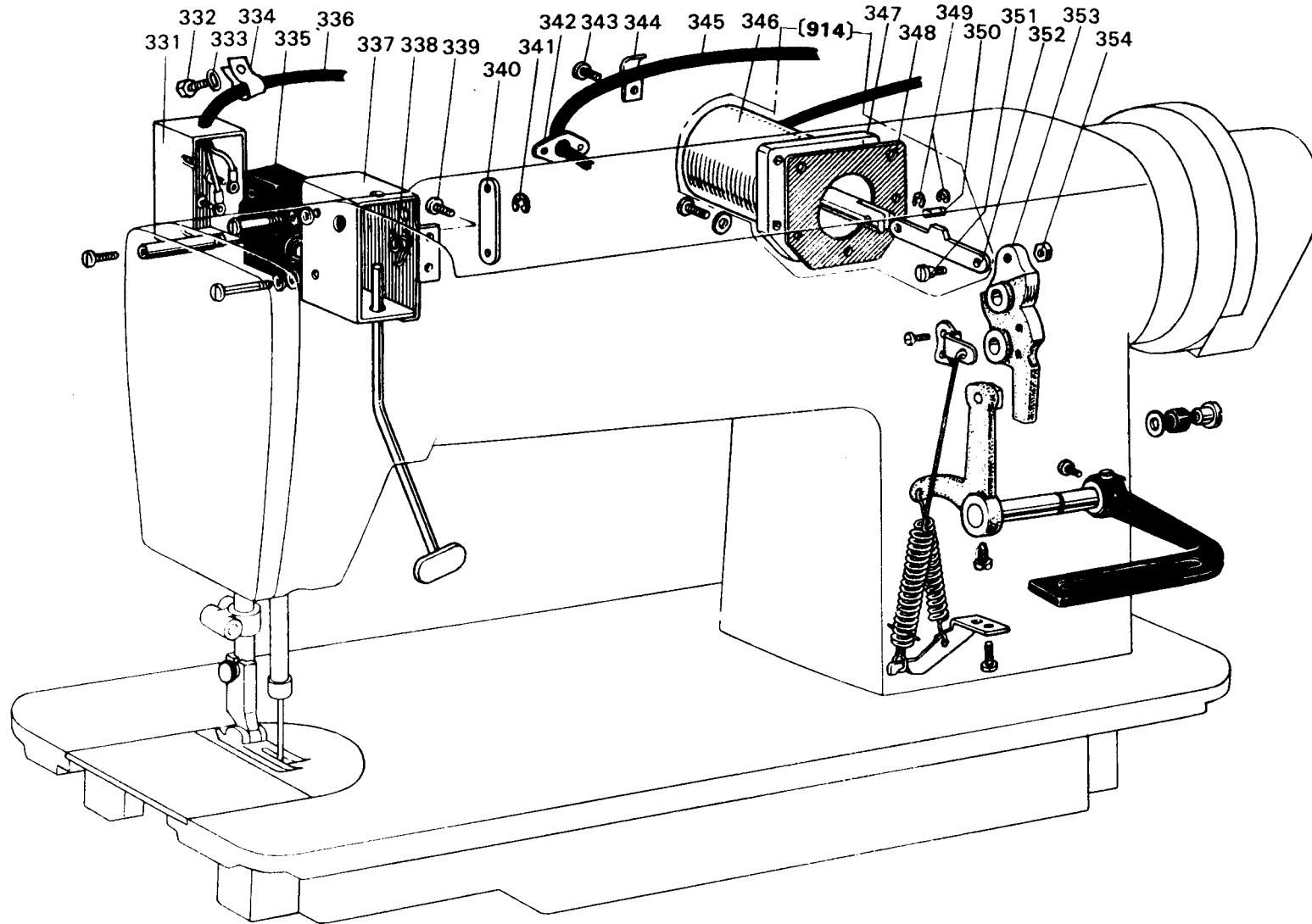
PRESSER BAR LIFTING MECHANISM

| Fig. No. | 部品コード Parts No. | 資材コード Ref. No. | 部 品 名 | Description | 使用 個数 Amt. Req. | 共通部品 Common Parts | | | | | | | | | | | | | |
|----------|--------------------|-------------------|---------------------|---------------------------------------|--------------------------|----------------------|-----------|-----------|------------|-----------|------------|--------------|--------------|--|--|--|--|--|--|
| | | | | | | DB-89-10M | DB-89-11M | DB-89-12M | DB-89-127M | DB-89-13M | DB-89-137M | DB-89-10FVEM | DB-89-10FVBY | | | | | | |
| 301 | MF 36A0 766 | W460571H01 | ベルクランク板 | Bell crank plate | 1 | | | | | | | | | | | | | | |
| 302 | MF 40A0 763 | W475407H01 | ベルクランク | Bell crank | 1 | | | | | | | | | | | | | | |
| 303 | MF 36A0 729 | W460574H01 | ヒネリハネ | Spring | 1 | | | | | | | | | | | | | | |
| 304 | M9 0403 063 | W460572H01 | ピン 4φ×21 | Pin 4φ×21 | 1 | | | | | | | | | | | | | | |
| 305 | MF 36A0 680 | W460575H01 | 針 金 | Steel wire | 1 | | | | | | | | | | | | | | |
| 306 | M9 1104 002 | B 503842H01 | 平ネジ 11 64(40)×4.5 | Screw (for Fig 301) 11/64(40)×4.5 | 2 | | | | | | | | | | | | | | |
| 912 | MF 40E0 763 | W336670G01 | ベルクランク(組) | Bell crank complete | 1 | ○ | ○ | ○ | ○ | ○ | ○ | ○ | ○ | | | | | | |
| 307 | MF 40A0 746 | W473527H01 | フレキシブルワイヤー | Flexible wire | 1 | | | | | | | | | | | | | | |
| 308 | M9 0921 002 | B 508848H01 | 平ネジ 9 64(40)×8 | Screw (for Fig.309) 9/64(40)×8 | 3 | | | | | | | | | | | | | | |
| 309 | MF 36A0 750 | W502917H01 | ブッシュ | Bushing (rear) | 1 | | | | | | | | | | | | | | |
| 310 | M9 1501 002 | W502945H01 | 平ネジ 15 64(28)×8.5 | Set screw (for Fig.311) 15/64(28)×8.5 | 1 | | | | | | | | | | | | | | |
| 311 | MF 40A0 228 | W473525H01 | 腕 (膝上ゲ腕) | Knee lifter crank | 1 | | | | | | | | | | | | | | |
| 312 | M9 1504 015 | W502104H01 | 段付平ネジ 15 64(28)×9.5 | Screw (for Fig.313) 15/64(28)×9.5 | 1 | | | | | | | | | | | | | | |
| 313 | MF 20A0 511 | W470289H01 | 操作棒 | Knee lifter lever connecting rod | 1 | | | | | | | | | | | | | | |
| 314 | MF 40A0 725 | W478168H04 | クランク軸 (膝上ゲテコ) | Knee lifter lever | 1 | | | | | | | | | | | | | | |
| 315 | M9 0401 053 | S 561121H03 | ハネ座金 4 | Washer 4 | 1 | | | | | | | | | | | | | | |
| 316 | MF 10A0 252 | W447053H01 | 押上ゲ工 | Presser bar lifter | 1 | | | | | | | | | | | | | | |
| 317 | M9 0400 085 | S 648001H02 | Oリング 1AP4 | O-ring 1AP4 | 1 | | | | | | | | | | | | | | |
| 318 | MF 10A0 729 | W502141H01 | ヒネリハネ | Spring | 1 | | | | | | | | | | | | | | |
| 319 | MF 36A0 253 | W464472H01 | 押工上ゲカム | Presser bar lifter cam | 1 | | | | | | | | | | | | | | |
| 320 | MF 10A2 245 | B 409092H01 | 円錐バネ | Spring | 1 | | | | | | | | | | | | | | |
| 321 | M9 0304 060 | W501874H01 | ピン 3φ×12 | Stopper pin 3φ×12 | 1 | | | | | | | | | | | | | | |
| 322 | M9 0211 060 | W470270H01 | ピン 2φ×16 | Stopper pin 2φ×16 | 1 | | | | | | | | | | | | | | |
| 323 | M9 1102 033 | W502123H01 | ピンネジ 11 64(40)×23.5 | Screw pin 11/64(40)×23.5 | 1 | | | | | | | | | | | | | | |
| 324 | MF 36A0 220 | W464055H01 | 上糸ユルメ | Tension releasing lever | 1 | | | | | | | | | | | | | | |
| 325 | MT 10A0 264 | W450066H01 | 押工棒上げ | Presser bar lifing bracket | 1 | | | | | | | | | | | | | | |
| 326 | MF 10A0 720 | W502084H01 | 操作板 | Knee lifter lever link | 1 | | | | | | | | | | | | | | |
| 913 | MF 20E0 264 | W327610G01 | 押工棒上げ(組) | Knee lifter lever complete | 1 | ○ | ○ | ○ | ○ | ○ | ○ | ○ | ○ | | | | | | |

タッチバック関係

TOUCH BACK SEWING MECHANISM

DB-189



タッチバック関係

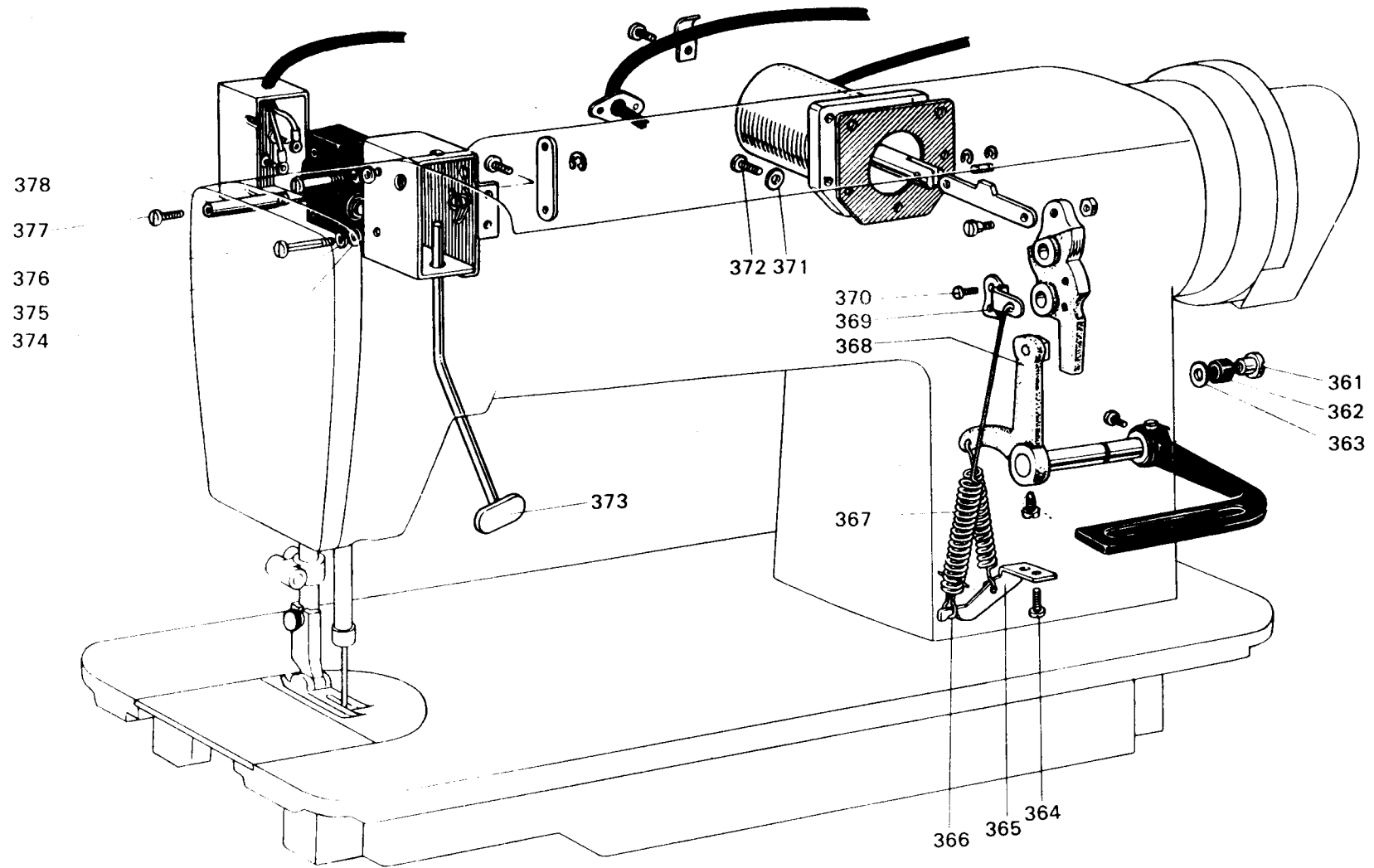
TOUCH BACK SEWING MECHANISM

| Fig. No. | 部品コード Parts No | 資料コード Ref No | 部 品 名 | Description | 使用 個数 Amt. Req. | 共通部品 Common Parts | | | | | | | | | | | | | | |
|----------|-------------------|-----------------|--------------------------|---------------------------------------|--------------------------|-------------------|------------|------------|--------------|------------|--------------|---------------|---------------|--|--|--|--|--|--|--|
| | | | | | | DB-189-10M | DB-189-11M | DB-189-12M | DB-189-12.7M | DB-189-13M | DB-189-13.7M | DB-189-10FW8M | DB-189-10FW6V | | | | | | | |
| 331 | MF 40A4 339 | P 436032X01 | 端子保護カバー | Micro switch cover | 1 | | | | | | | | | | | | | | | |
| 332 | M9 0921 002 | B 508848H01 | 平 ネ ジ 9/64(40)×8 | Screw for code holder 9/64(40)×8 | 1 | | | | | | | | | | | | | | | |
| 333 | M9 0409 050 | S 562131H02 | ミ カ キ 座 金 4 | Washer 4 | 1 | | | | | | | | | | | | | | | |
| 334 | M9 4004 099 | S 432001H03 | ナイロンクリップ HP-4N | Cord holder | 1 | | | | | | | | | | | | | | | |
| 335 | M9 0207 099 | P 422111X01 | マイクロスイッチ (タッチバック) AM1306 | Micro switch AM-1306 | 1 | | | | | | | | | | | | | | | |
| 336 | M9 7104 099 | W476471G01 | キャプタイヤコード (組)(タッチバック) | Cap-tire cord (touch-back) | 1 | | | | | | | | | | | | | | | |
| 337 | MF 40A5 339 | W476466H01 | カバー(タッチバックマイクロスイッチ) | Micro switch cover | 1 | | | | | | | | | | | | | | | |
| 338 | MF 40A0 729 | W476467H01 | ビ ネ リ バ ネ (タッチバック) | Spring | 1 | | | | | | | | | | | | | | | |
| 339 | M9 1110 002 | W500294H01 | 平 ネ ジ 11/64(40)×8 | Screw 11/64(40)×8 | 2 | | | | | | | | | | | | | | | |
| 340 | MF 40A3 601 | W476468H01 | 取 付 ケ 板 (マイクロスイッチ) | Set plate for micro switch | 1 | | | | | | | | | | | | | | | |
| 341 | M9 0505 065 | S 592411H05 | E 形 止 メ 輪 5 | E-type stop ring 5 | 1 | | | | | | | | | | | | | | | |
| 342 | MF 36A0 257 | W466229H01 | 押 エ 板 (キャプタイヤケーブル) | Cord holding plate | 1 | | | | | | | | | | | | | | | |
| 343 | M9 0906 002 | W500791H01 | 平 ネ ジ 9/64(40)×4.5 | Screw 9/64(40)×4.5 | 2 | | | | | | | | | | | | | | | |
| 344 | MN 10A1 689 | W501202H01 | ホ ル ダ | Cord holder | 2 | | | | | | | | | | | | | | | |
| 345 | M9 7105 099 | W479308G01 | キャプタイヤコード (組)(ワイハ付き) | Cap-tire cord complete for wiper | 1 | | | | | | | | | | | | | | | |
| | M9 7106 099 | W479309G01 | キャプタイヤコード (組)(ワイバナシ) | Cap-tire cord comple for non-wiper | 1 | | | | | | | | | | | | | | | |
| 346 | M9 1006 098 | W338221H01 | ソ レ ノ イ ド (タッチバック) | Solenoid for touch-back mechanism | 1 | | | | | | | | | | | | | | | |
| 914 | M9 1007 098 | W338220G01 | ソ レ ノ イ ド (組) | Touch-back solenoid complete | | | | | | | | | | | | | | | | |
| 347 | MF 40A1 880 | W476418H02 | 蓋 (タッチバック用横蓋) | Arm sidecover for touch-back solenoid | 1 | | | | | | | | | | | | | | | |
| | MF 40A0 880 | W476418H01 | 蓋 (横蓋) | Arm sidecover for non touch-back | 1 | | | | | | | | | | | | | | | |
| 348 | MF 40A2 691 | W476419H01 | ガ ス ケ ッ ト | Gasket (for Fig.348) | 1 | | | | | | | | | | | | | | | |
| 349 | M9 0504 065 | S 592411H04 | E 形 止 メ 輪 4 | E-type stop ring 4 | 2 | | | | | | | | | | | | | | | |
| 350 | M9 0516 063 | W476446H01 | ピ ン (溝付) 5φ×20.5 | Pin 5φ×20.5 | 1 | | | | | | | | | | | | | | | |
| 351 | M9 1262 015 | W476445H01 | 段 付 平 ネ ジ 3/16(32)×12 | Hinged screw 3/16(32)×12 | 1 | | | | | | | | | | | | | | | |
| 352 | MF 40A2 910 | W476451H01 | リ ン ク (バックソレノイド) | Connecting link | 1 | | | | | | | | | | | | | | | |
| 353 | MF 40A0 152 | P 955000X02 | 送 り 調 節 カ ム (案内テコ)(0-5) | Feed regulator | 1 | | | | | | | | | | | | | | | |
| 354 | M9 1251 045 | B 509177H01 | ナ ッ ト 3/16(32)×3 | Nut 3/16(32)×3 (for Fig.351) | 1 | | | | | | | | | | | | | | | |

タッチバック関係

TOUCH BACK SEWING MECHANISM

DB-189



タッチバック関係

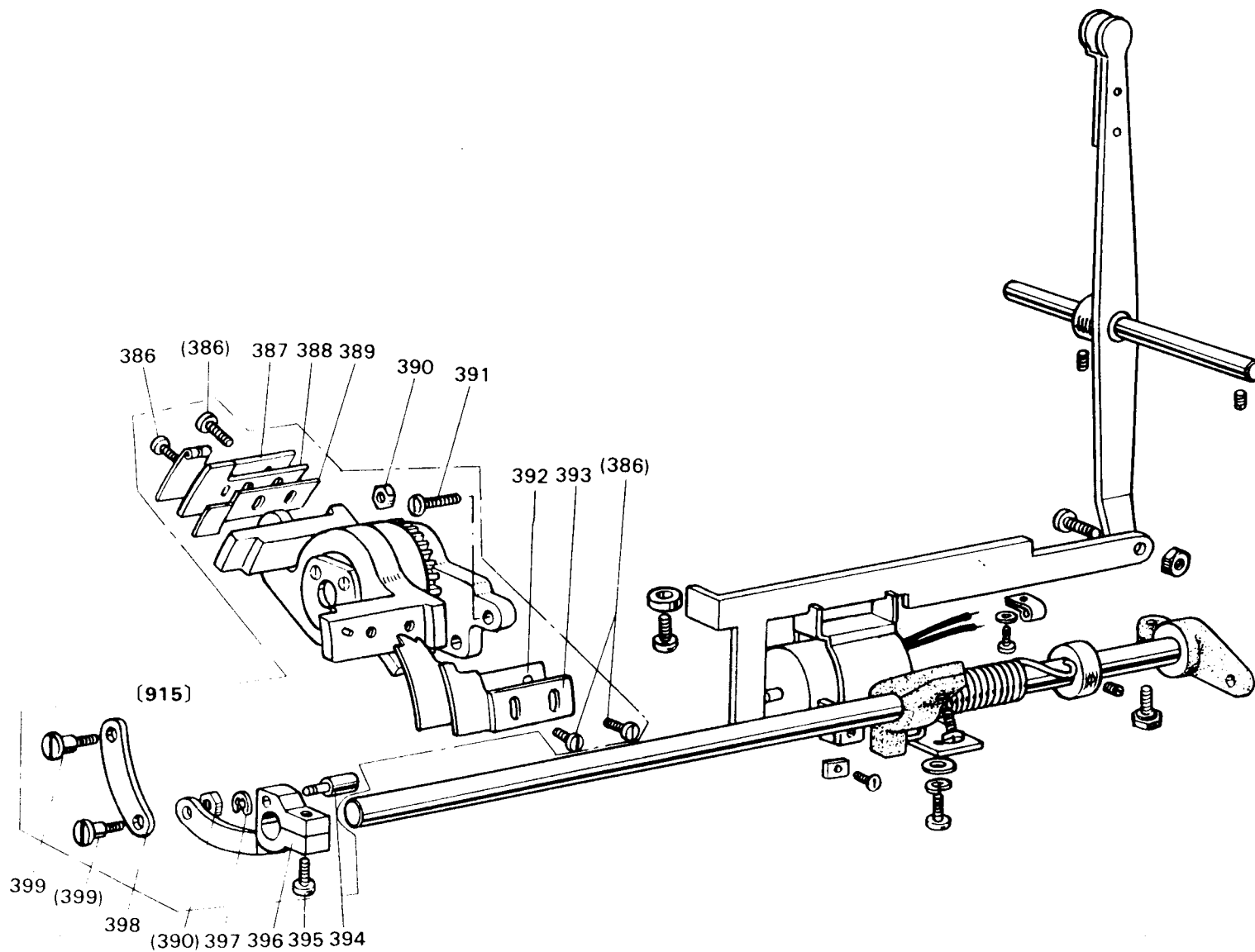
TOUCH BACK SEWING MECHANISM

| Fig No | 部品コード Parts No | 資材コード Ref. No | 部 品 名 | Description | 使用 個数 Amt. Req. | 共通部品 Common Parts | | | | | | | | | | | | | |
|--------|-------------------|------------------|-------|----------------|----------------------------------|----------------------|------------|------------|--------------|------------|--------------|---------------|---------------|--|--|--|--|--|--|
| | | | | | | DB-189-10M | DB-189-11M | DB-189-12M | DB-189-12.7M | DB-189-13M | DB-189-13.7M | DB-189-10FV8M | DB-189-10FV8V | | | | | | |
| 361 | M9 1514 015 | W502060H01 | 段付平ネジ | 15 64(28)・6 | Hinged screw 15 64(28)・6 | 1 | | | | | | | | | | | | | |
| 362 | ML 10A0 417 | W501991H01 | ゴム輪 | | Rubber link | 1 | | | | | | | | | | | | | |
| 363 | M9 0611 050 | W464056H01 | 片金 | 6 | Washer 6 | 1 | | | | | | | | | | | | | |
| 364 | M9 1503 003 | W501002H01 | 丸平ネジ | 15 64(28)×13 | Screw 15 64(28)×13 | 2 | | | | | | | | | | | | | |
| 365 | MF 40A1 708 | W476443H01 | 掛金 | (ハネ掛板) | Bracket (plate) | 1 | | | | | | | | | | | | | |
| 366 | MN 15A0 708 | W502928H01 | 掛金 | (ハネ止め) | Bracket (hanger) | 1 | | | | | | | | | | | | | |
| 367 | MF 40A6 572 | W476453H01 | ツル巻ハネ | | Spring | 1 | | | | | | | | | | | | | |
| 368 | MF 40E0 635 | W476448G01 | 逆目加減腕 | (角駒付) | Reverse sewing crank with block | 1 | | | | | | | | | | | | | |
| 369 | MF 40A2 708 | W476452H01 | 掛金 | | Bracket | 1 | | | | | | | | | | | | | |
| 370 | M9 1110 002 | W500294H01 | 平ネジ | 11 64(40)×8 | Screw (for Fig 369) | 2 | | | | | | | | | | | | | |
| 371 | M9 0402 050 | W461040H01 | 座金 | 4 | Washer 4 | 5 | | | | | | | | | | | | | |
| 372 | M9 1101 004 | W466810H01 | フラマイネ | シ 11 64(40)×9 | Screw for solenoid 11 64(40)×9 | 5 | | | | | | | | | | | | | |
| 373 | MF 40E0 532 | W338228G01 | レバー | (組)(タッチレバー) | Touch-back lever | 1 | | | | | | | | | | | | | |
| 374 | M9 0409 050 | S 562131H02 | ミカキ座金 | 4 | washer 4 | 2 | | | | | | | | | | | | | |
| 375 | M9 0401 053 | S 561121H03 | ハネ座金 | 4 | Spring washer 4 | 2 | | | | | | | | | | | | | |
| 376 | M9 0412 037 | S 512131H13 | Pナヘネ | シ M4・30 | Screw M4×30 | 2 | | | | | | | | | | | | | |
| 377 | M9 1106 002 | W501098H01 | 平ネジ | シ 11 64(40)×12 | Screw (for Fig.378) 11 64(40)×12 | 1 | | | | | | | | | | | | | |
| 378 | MF 40A1 530 | W476465H01 | 段付軸 | | Hinged stad | 1 | | | | | | | | | | | | | |

メス(糸切り)関係

THREAD TRIMMER MECHANISM

DB-189



メス(糸切り)関係

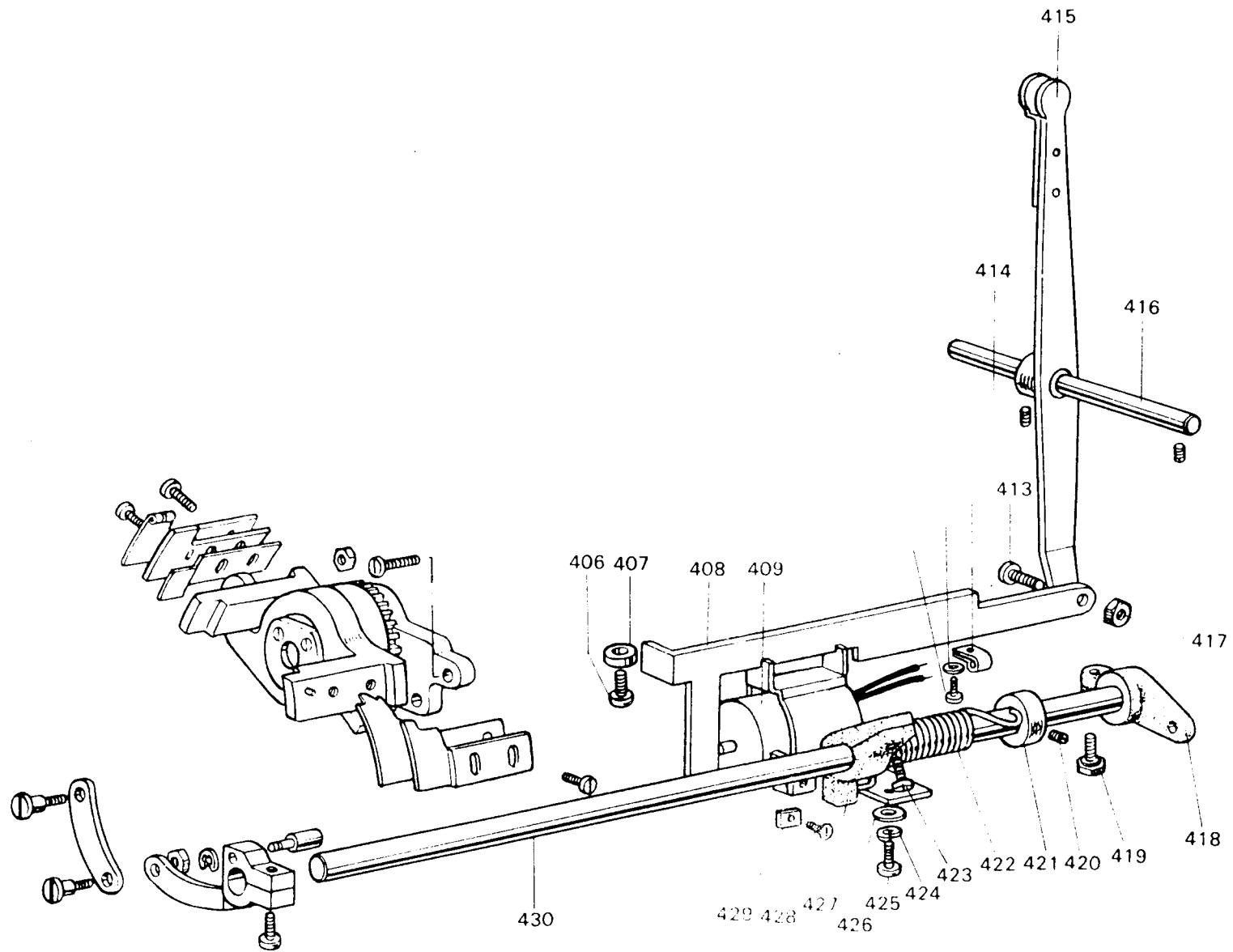
THREAD TRIMMER MECHANISM

| Fig. No. | 部品コード Parts No | 資材コード Ref No. | 部 品 名 | Description | 使用 個数 Amt. Req. | 共通部品 Common Parts | | | | | | | | | | | | | |
|-------------|-------------------|------------------|-------------------|-------------------------------|--------------------------|----------------------|------------|------------|--------------|------------|--------------|---------------|---------------|--|--|--|--|--|--|
| | | | | | | DB-189-10M | DB-189-11M | DB-189-12M | DB-189-12.7M | DB-189-13M | DB-189-13.7M | DB-189-10FW8M | DB-189-10FW6V | | | | | | |
| 386 | M9 0803 003 | W502920H01 | 棒先丸平ネジ 1/8(44)×6 | Screw for knife 1/8(44)×6 | 4 | ○ | ○ | ○ | ○ | ○ | ○ | ○ | ○ | | | | | | |
| 387 | MF 40A2 782 | W481680H01 | 保護板 | Guard plate | 1 | ○ | ○ | ○ | ○ | ○ | ○ | ○ | ○ | | | | | | |
| 388 | MF 40A1 834 | W341617H02 | メス左 | Knife (left) | 1 | ○ | ○ | ○ | ○ | ○ | ○ | ○ | ○ | | | | | | |
| 389 | MF 40A0 442 | W480458H01 | 下糸案内 | Thread guide for knife | 1 | ○ | ○ | ○ | ○ | ○ | ○ | ○ | ○ | | | | | | |
| 390 | M9 1107 045 | W475413H01 | ナット 11/64(40)) | Nut 11/64(40)) | 2 | ○ | ○ | ○ | ○ | ○ | ○ | ○ | ○ | | | | | | |
| 391 | M9 1503 003 | W501002H01 | 丸平ネジ 15/64(28)×13 | Screw 15/64(28)×13 | 2 | ○ | ○ | ○ | ○ | ○ | ○ | ○ | ○ | | | | | | |
| 392 | MF 40A2 180 | W341614H01 | 糸案内 | Thread guide for knife | 1 | ○ | ○ | ○ | ○ | ○ | ○ | ○ | ○ | | | | | | |
| 393 | MF 40A2 835 | W341615H01 | メス右 | Knife (right) | 1 | ○ | ○ | ○ | ○ | ○ | ○ | ○ | ○ | | | | | | |
| 394 | MF 36A0 411 | W502913H01 | コロ | Hinge stud | 1 | ○ | ○ | ○ | ○ | ○ | ○ | ○ | ○ | | | | | | |
| 395 | M9 1117 002 | B 503844H01 | 平ネジ 11/64(40)×13 | Screw 11/64(40)×13 | 1 | ○ | ○ | ○ | ○ | ○ | ○ | ○ | ○ | | | | | | |
| 396 | MF 40A1 392 | W480456H01 | 駆動腕 | Feed rock shaft crank | 1 | ○ | ○ | ○ | ○ | ○ | ○ | ○ | ○ | | | | | | |
| 397 | M9 0501 065 | S 592411H01 | E形止メ輪 | E-type stop ring | 1 | ○ | ○ | ○ | ○ | ○ | ○ | ○ | ○ | | | | | | |
| 398 | MF 40A1 910 | W475411H01 | リンク | link | 1 | ○ | ○ | ○ | ○ | ○ | ○ | ○ | ○ | | | | | | |
| 399 | M9 1111 015 | W475412H01 | 段付平ネジ 11/64(40) | Set screw 11/64(40) | 2 | ○ | ○ | ○ | ○ | ○ | ○ | ○ | ○ | | | | | | |
| 915 | MF 40E1 199 | W229918G01 | 糸切機構組立 | Thread trimmer mecha complete | 1 | ○ | ○ | ○ | ○ | ○ | ○ | ○ | ○ | | | | | | |

糸切りソレノイド・関係

THREAD TRIMMER SOLENOID MECHANISM

DB-189



糸切りソレノイド・関係

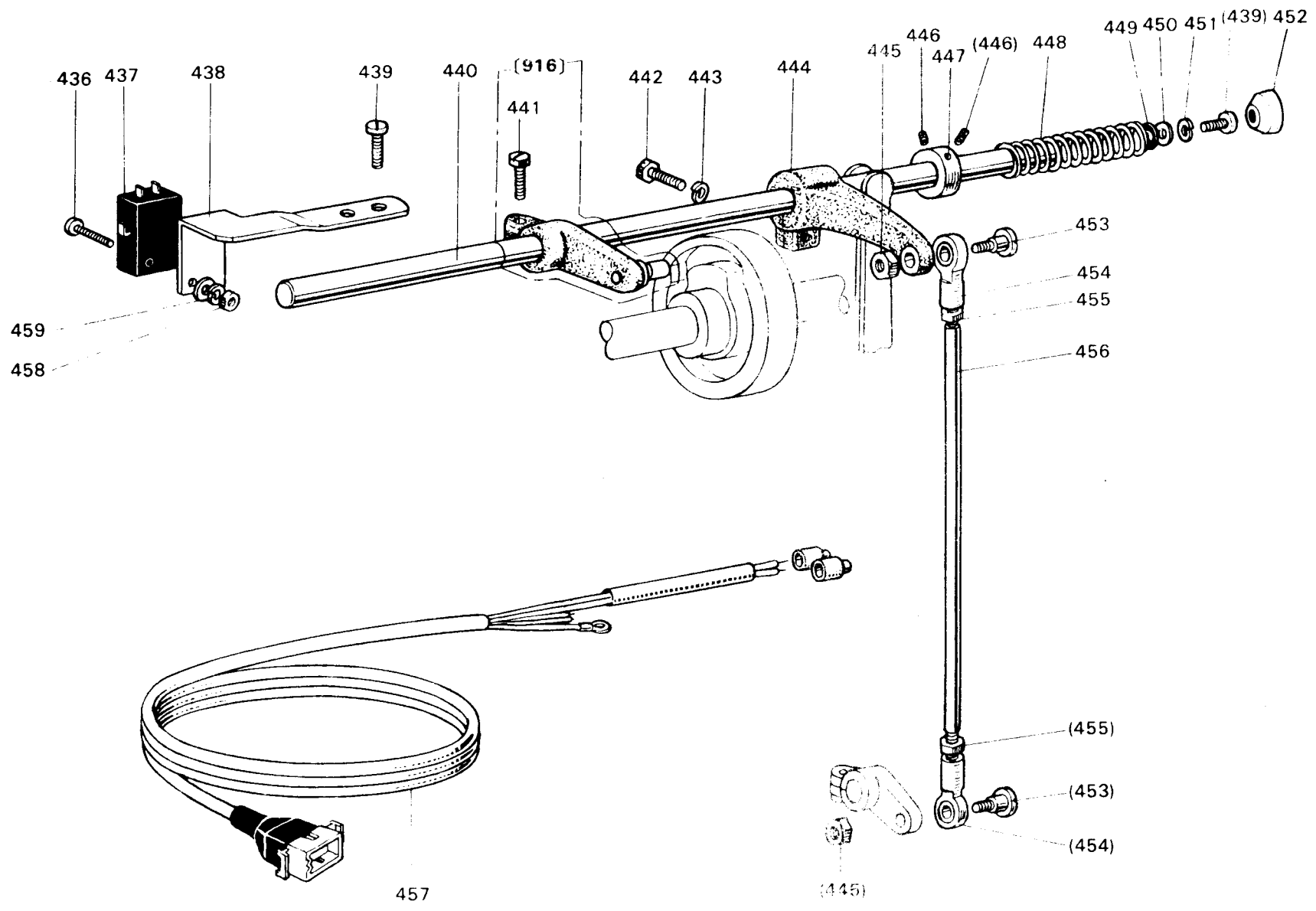
THREAD TRIMMER SOLENOID MECHANISM

| Fig. No. | 部品コード Parts No. | 資材コード Ref. No. | 部 品 名 | Description | 使用 個数 Amt. Req. | 共通部品 Common Parts | | | | | | | | | | | | | | |
|-------------|--------------------|-------------------|--------------------------|---------------------------|--------------------------|----------------------|------------|------------|--------------|------------|--------------|---------------|---------------|--|--|--|--|--|--|--|
| | | | | | | DB-189-10M | DB-189-11M | DB-189-12M | DB-189-12.7M | DB-189-13M | DB-189-13.7M | DB-189-10F/BM | DB-189-10F/BV | | | | | | | |
| 406 | M9 0903 002 | B 509065H01 | 平 ネ ジ 9 64(40)×6.5 | Screw 9 64(40)×6.5 | 1 | | | | | | | | | | | | | | | |
| 407 | MF 36A0 478 | W502346H01 | ストップバー輪 | Stopper ring | 1 | | | | | | | | | | | | | | | |
| 408 | MF 40A0 910 | W473526H01 | リ ン ク | Rink | 1 | | | | | | | | | | | | | | | |
| 409 | M9 1002 098 | W331481G01 | ソレノイド(組) | Solenoid complete | 1 | | | | | | | | | | | | | | | |
| 413 | M9 1212 015 | W501778H01 | 段付平ネジ 3 16(28)×9.7 | Hinged screw 3 16(28)×9.7 | 1 | | | | | | | | | | | | | | | |
| 414 | M9 1110 001 | B 509339H01 | 頭ナシ止メネジ 11 64(40)×8.5 | Set screw 11 64(40)×8.5 | 1 | | | | | | | | | | | | | | | |
| 415 | MF 40E0 590 | W336683G01 | テ コ (組) | Lever complete | 1 | | | | | | | | | | | | | | | |
| 416 | MF 36A0 592 | W460551H01 | テ コ 軸 | Lever stud | 1 | | | | | | | | | | | | | | | |
| 417 | M9 1201 045 | W501827H01 | ナ ッ ト 3 16(28)×3 | Nut 3 16(28)×3 | 1 | | | | | | | | | | | | | | | |
| 418 | MF 40A1 228 | W473533H01 | 揺 動 腕(下) | Vibrating crank | 1 | | | | | | | | | | | | | | | |
| 419 | M9 1603 031 | W468547H02 | ホ ル ト 1/4(40)×13 | Screw 1/4(40)×13 | 1 | | | | | | | | | | | | | | | |
| 420 | M9 1503 001 | B 508971H01 | 頭ナシ止メネジ 15 64(28)×4 | Set screw 15 64(28)×4 | 2 | | | | | | | | | | | | | | | |
| 421 | MF 10A0 352 | B 422844H01 | カ ラ ー | Collar | 1 | | | | | | | | | | | | | | | |
| 422 | MF 40A4 572 | W471450H01 | ヒネリツル巻バネ | Coil spring | 1 | | | | | | | | | | | | | | | |
| 423 | M9 1117 002 | B 503844H01 | 平 ネ ジ 11 64(40)×13 | Screw 11 64(40)×13 | 2 | | | | | | | | | | | | | | | |
| 424 | M9 0501 053 | S 561121H04 | バネ座金 5 | Spring washer | 4 | | | | | | | | | | | | | | | |
| 425 | M9 1103 004 | W467868H02 | フ ラ マ イ ネ ジ 11 64(40)×13 | Screw 11 64(40)×13 | 4 | | | | | | | | | | | | | | | |
| 426 | M9 0504 050 | W462719H01 | 座 金 (小形丸5) | Washer | 4 | | | | | | | | | | | | | | | |
| 427 | MF 36A0 477 | W460529H01 | ス ト ッ パ | Stopper | 1 | | | | | | | | | | | | | | | |
| 428 | M9 0604 011 | W501205H01 | 丸 皿 ネ ジ 3/32(56)×4 | Screw 3/32(56)×4 | 1 | | | | | | | | | | | | | | | |
| 429 | MF 36A0 618 | W460531H01 | ナ イ ロ ン 板 | Nylon plate | 1 | | | | | | | | | | | | | | | |
| 430 | MF 40A2 454 | W473534H01 | 揺 動 軸 | Knife driving shaft | 1 | | | | | | | | | | | | | | | |

DB-189

カム軸関係 CAM SHAFT MECHANISM

DB-189



カム軸関係

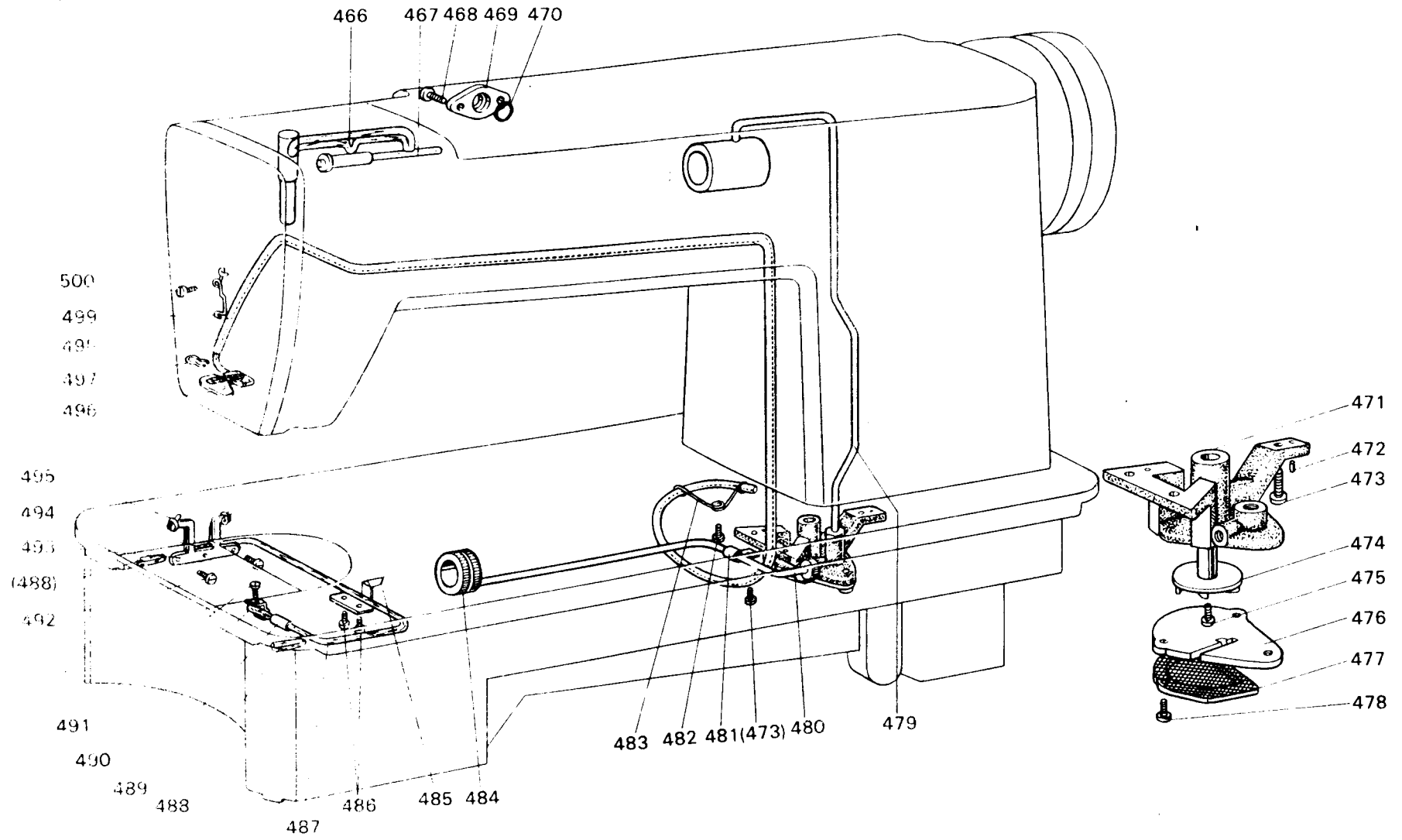
CAM SHAFT MECHANISM

| Fig No. | 部品コード Parts No. | 資材コード Ref. No. | 部 品 名 | Description | 使用 個数 Amt. Req. | 共通部品 Common Parts | | | | | | | | | | | | | |
|---------|--------------------|-------------------|-----------------------|---------------------------------------|--------------------------|----------------------|------------|-----------|--------------|------------|--------------|---------------|---------------|---|---|--|--|--|--|
| | | | | | | DB-189-10M | DB-189-11M | DB-189-2M | DB-189-12.7M | DB-189-13M | DB-189-13.7M | DB-189-10FVBM | DB-189-10FVBY | | | | | | |
| 436 | M9 0320 037 | S 512131H04 | P ナヘネシ M3、20 | Screw (for Fig.458) M3、20 | 2 | | | | | | | | | | | | | | |
| 437 | M9 0202 099 | P 422112X01 | マイクロスイッチ VL-12 | Micro switch | 1 | | | | | | | | | | | | | | |
| 438 | MF 36A1 601 | V.462647H01 | スイッチ取付板 | Switch supporting plate | 1 | | | | | | | | | | | | | | |
| 439 | M9 1110 002 | W500294H01 | 平ネシ 11 64(40)×8 | Screw (for Fig.438) 11 64(40)×8 | 3 | | | | | | | | | | | | | | |
| 440 | MF 40A0 348 | W473528H01 | カム軸 | Cam shaft | 1 | | | | | | | | | | | | | | |
| 441 | M9 1603 031 | W468547H02 | ボルト 1 4(40)×13 | Screw for knife drive crank | 1 | | | | | | | | | | | | | | |
| 916 | MF 40E0 351 | W480498G01 | カム追従腕(組) | Knife driving crank | 1 | ○ | ○ | ○ | ○ | ○ | ○ | ○ | ○ | ○ | ○ | | | | |
| 442 | M9 1506 022 | W501545H01 | ボルト 15 64(28)×16 | Bolt (for Fig.444) 15 64(28)×16 | 1 | | | | | | | | | | | | | | |
| 443 | M9 0601 053 | W561121H05 | ハネ座金 6 | Spring washer (for Fig.444) | 1 | | | | | | | | | | | | | | |
| 444 | MF 40A0 886 | W473531H01 | 揺動腕(上) | Knife driving crank | 1 | | | | | | | | | | | | | | |
| 445 | M9 1104 045 | W500079H01 | ナット 11 64(40) | Nut (for Fig.543) 11 64(40) | 2 | | | | | | | | | | | | | | |
| 446 | M9 1106 001 | B 509266H01 | 頭ナシ止メネシ 11 64(40)×4.3 | Set screw (for Fig.447) 11 64(40)×4.3 | 2 | | | | | | | | | | | | | | |
| 447 | MF 36A1 352 | W468250H01 | カラ | Collar | 1 | | | | | | | | | | | | | | |
| 448 | MF 40A5 572 | W473529H01 | ツル巻バネ | Coil spring | 1 | | | | | | | | | | | | | | |
| 449 | M9 5015 050 | W479304H02 | 座金(ウレタンゴム) 0φ×1 | Washer 10φ×10 | 1 | | | | | | | | | | | | | | |
| 450 | M9 0407 050 | W469519H01 | 座金 4.6 | Washer 4.6 | 1 | | | | | | | | | | | | | | |
| 451 | M9 0501 053 | S 561121H04 | ハネ座金 5 | Washer 5 | 1 | | | | | | | | | | | | | | |
| 452 | M9 1603 080 | W476428H01 | ゴム栓 16φ×7 | Rubber plug 16φ×7 | 1 | | | | | | | | | | | | | | |
| 453 | M9 1101 015 | W502907H01 | 段付平ネジ 11 64(40)×17 | Hinged screw 11 64(40)×17 | 2 | | | | | | | | | | | | | | |
| 454 | MF 40A0 975 | P 687039X01 | ロットエンド (RBT-5-2003) | Connecting link (RBT-5-2003) | 2 | | | | | | | | | | | | | | |
| 455 | M9 1372 045 | S 541121H03 | ナット M5 | Nut (for Fig.456) | 2 | | | | | | | | | | | | | | |
| 456 | M9 5002 023 | W481403H01 | 植込ボルト(上下右ネジ) M5×187 | Connecting rod M5×187 | 1 | | | | | | | | | | | | | | |
| 457 | M9 7106 099 | W479309G01 | キャブタイヤコード(組)(ワイバーナシ) | Cap-tirecard complete for nonwiper | 1 | | | | | | | | | | | | | | |
| | M9 7105 099 | W479308G01 | キャブタイヤコード(組)(ワイバー付) | Cap-tirecord complete for wiper | 1 | | | | | | | | | | | | | | |
| 458 | M9 0872 045 | S 541121H01 | ナット 3 | Nut (for Fig.436) | 2 | | | | | | | | | | | | | | |
| 459 | M9 0301 053 | S 561121H01 | ハネ座金 3 | Spring washer (for Fig.436) | 2 | | | | | | | | | | | | | | |

給油關係

OIL LUBRICATION MECHANISM

DB-189



給油関係

OIL LUBRICATION MECHANISM

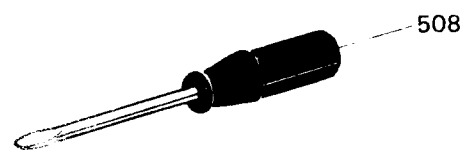
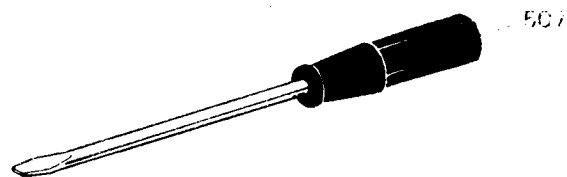
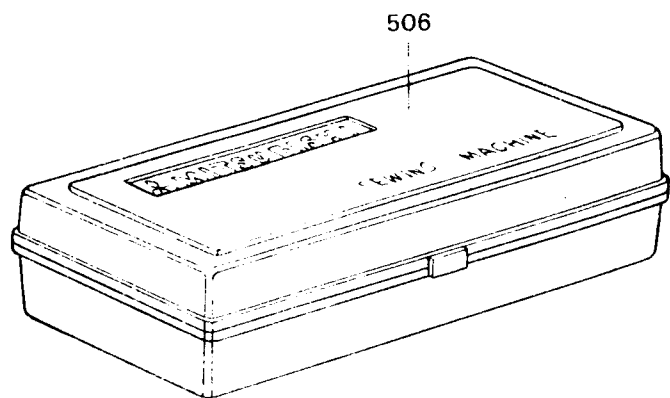
| Fig No. | 部品コード Parts No | 資材コード Ref. No. | 部 品 名 | Description | 使用 個数 Amt. Req. | 共通部品 Common Parts | | | | | | | | |
|---------|-------------------|-------------------|------------------------|-----------------------------------|--------------------------|----------------------|------------|------------|-------------|------------|-------------|---------------|---------------|--|
| | | | | | | DB-189-10M | DB-189-11M | DB-189-12M | DB-189-127M | DB-189-13M | DB-189-137M | DB-189-10FV8M | DB-189-10FV8V | |
| 466 | MF 10E2 148 | W444138H01 | 油 紐 2.5φ×240 | Oil cotton braid 2.5φ×240 | 1 | | | | | | | | | |
| 467 | MF 10E2 148 | W462729H01 | 油 紐 2.5φ×125 | Oil cotton braid 2.5φ×125 | 1 | | | | | | | | | |
| 468 | M9 0921 002 | B 508848H01 | 平 ネ ジ 9/64(40)×8 | Screw (for Fig.469) 9/64(40)×8 | 2 | | | | | | | | | |
| 469 | MF 36A0 257 | W466229H01 | 押工板(ビニールキャブタイヤケーブル) | Cord holding plate | 1 | | | | | | | | | |
| 470 | M9 0600 085 | S 648001H04 | O リ ン グ 1AP6 | O-ring 1AP6 | 1 | | | | | | | | | |
| 471 | MF 80A0 783 | W346046H01 | ポンプケース(フレーム) | Oil pump body | 1 | | | | | | | | | |
| 472 | M9 0202 061 | W500212H01 | テ ー バ ピ ン 2.5φ×12×1/50 | Oil pump positioning pin | 1 | | | | | | | | | |
| 473 | M9 1103 004 | W467868H01 | ブラマイネジ 11/64(40)×13 | Screw (for Fig.471) 11/64(40)×13 | 4 | | | | | | | | | |
| 474 | MF 10A0 685 | W470288H01 | 羽 根 車 | Oil pump impeller | 1 | | | | | | | | | |
| 475 | M9 0810 002 | W501133H01 | 平 ネ ジ 1/8(44)×8 | Screw (for Fig.474) 1/8(44)×8 | 1 | | | | | | | | | |
| 476 | MF 10A0 601 | W461088H01 | 取 付 板 | Oil Suction plate | 1 | | | | | | | | | |
| 477 | MF 40E0 337 | W481402G01 | ア ミ(組) | Oil pump screen complete | 1 | | | | | | | | | |
| 478 | M9 0801 004 | W467881H01 | ブラマイネジ 1/8(44)×13 | Screw (for Fig.477) 1/8(44)×13 | 3 | | | | | | | | | |
| 479 | MF 40E0 141 | W480441G01 | バ イ プ 上(組) | Oil pipe for arm shaft | 1 | | | | | | | | | |
| 480 | MF 40E0 142 | W480442G01 | バ イ プ 下(組) | Oil pipe for hook shaft | 1 | | | | | | | | | |
| 481 | MF 40A1 780 | W467873H01 | ハイブホルダ | Oil pipe holder (for Fig.480) | 1 | | | | | | | | | |
| 482 | M9 1107 002 | W500092H01 | 平 ネ ジ 11/64(40)×5.5 | Screw (for Fig.483) 11/64(40)×5.5 | 1 | | | | | | | | | |
| 483 | MF 40A0 780 | W467872H01 | ホル タ | Oil pipe holder (for Fig.498) | 1 | | | | | | | | | |
| 484 | MF 20A0 552 | W470287H01 | タ イ ヤ ル(オイル調節) | Oil adjustable dial | 1 | | | | | | | | | |
| 485 | MF 10A0 477 | W502095H01 | ストッパ | Stopper | 1 | | | | | | | | | |
| 486 | M9 0906 002 | W500791H01 | 平 ネ ジ 9/64(40)×4.5 | Screw (for Fig.485) 9/64(40)×4.5 | 2 | | | | | | | | | |
| 487 | MF 10E2 148 | W462982H01 | 油 紐 2.5φ×370 | Oil cotton braid 2.5φ×370 | 1 | | | | | | | | | |
| 488 | MF 10E3 148 | W462830H01 | 油 紐 3φ×180 | Oil cotton braid 3φ×180 | 2 | | | | | | | | | |
| 489 | MF 10A1 731 | W501450H01 | バ イ プ | Oil cotton braid holder pipe | 1 | | | | | | | | | |
| 490 | MF 10A0 780 | W444282H01 | ホル タ | Oil cotton braid holder | 1 | | | | | | | | | |
| 491 | M9 0805 002 | B 508852H01 | 平 ネ ジ 1/8(44)×4.5 | Screw (for Fig.490) 1/8(44)×4.5 | 1 | | | | | | | | | |
| 492 | M9 1104 002 | B 503842J01 | 平 ネ ジ 11/64(40)×4.5 | Screw (for Fig.493) 11/64(40)×4.5 | 2 | | | | | | | | | |
| 493 | MF 10A0 147 | W447762H01 | ホル タ(油紐支工) | Oil cotton braid Supportre | 1 | | | | | | | | | |
| 494 | MF 40A0 140 | W462831H01 | バ イ プ 5.8φ×5φ×4 | Oil cotton braid pipe 5.8φ×5φ×4 | 1 | | | | | | | | | |
| 495 | MF 10E3 148 | W462830H01 | 油 紐 3φ×180 | Oil cotton braid 3φ×180 | 1 | | | | | | | | | |
| 496 | MF 20E0 740 | W479326H01 | フェルト(組) | Felt pouch complete | 1 | | | | | | | | | |
| 497 | MF 70A0 605 | W479329H01 | フェルト押工 | Felt holder | 1 | | | | | | | | | |
| 498 | MF 36A1 731 | W467876H01 | ハ イ プ | Oil pipe | 1 | | | | | | | | | |
| 499 | MF 36A0 689 | W470900H01 | ホル タ | Oil pipe holder | 1 | | | | | | | | | |
| 500 | M9 1108 002 | B 509289H01 | 平 ネ ジ 11/64(40)×7 | Screw (for Fig.499) 11/64(40)×7 | 1 | | | | | | | | | |

DB-189

付 属 品 箱

ACCESSORY BOX & ITS ACCESSORIES

DB-189



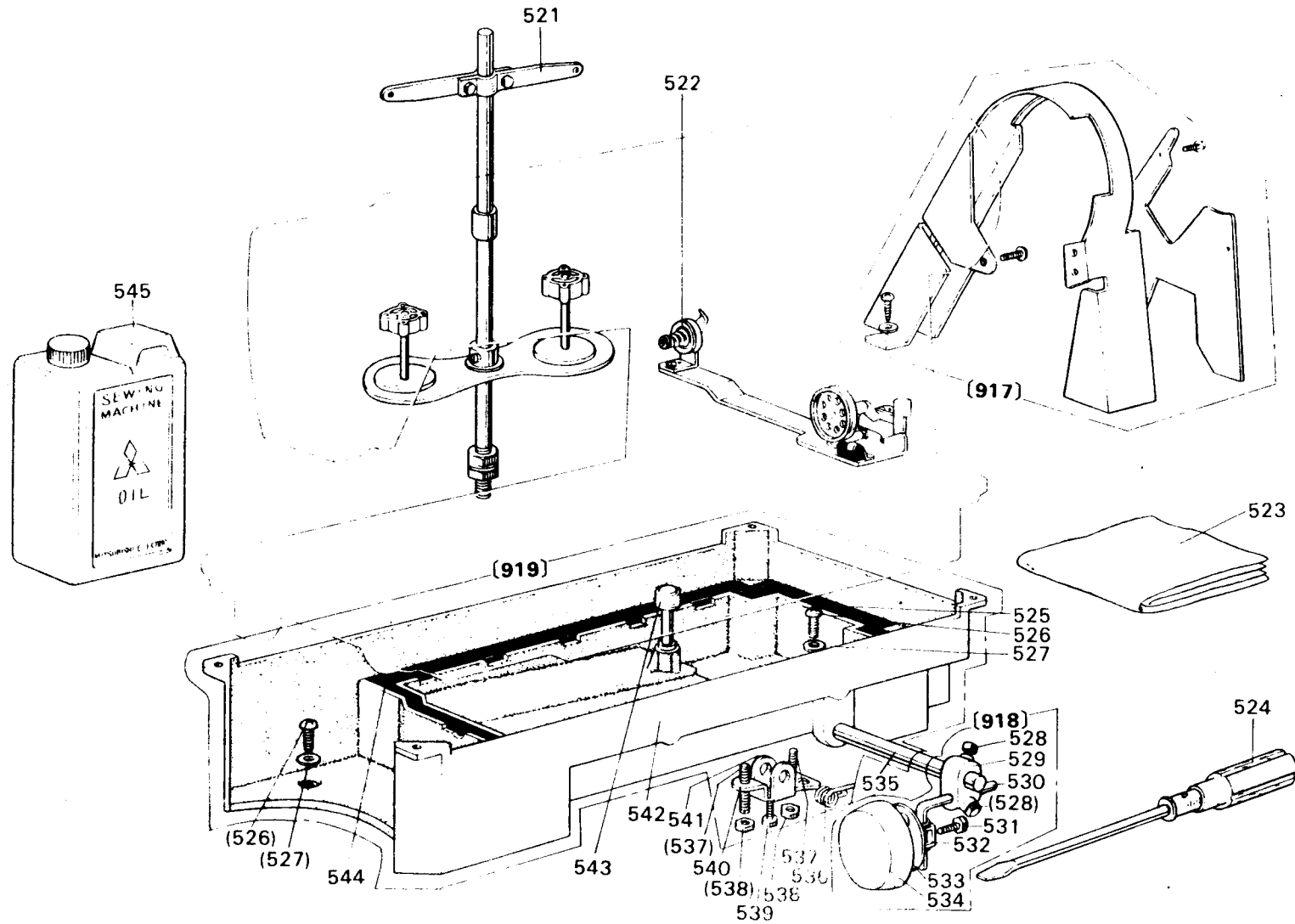
付 属 品 箱

ACCESSORY BOX & ITS ACCESSORIES

| Fig No | 部品コード Parts No | 資材コード Ref No | 部 品 名 | Description | 使用 個数 Amt Req | 共通部品 Common Parts | | | | | | | | | | | | | | |
|--------|-------------------|-----------------|--------------|-----------------------|------------------------|----------------------|-----------|-----------|-----------|-----------|-----------|-----------|-----------|--|--|--|--|--|--|--|
| | | | | | | AC: 66-9C | AC: 68-9C | AC: 69-9C | AC: 71-9C | AC: 73-9C | AC: 75-9C | AC: 77-9C | AC: 79-9C | | | | | | | |
| 506 | MF 60A0 749 | P 833000X01 | 付 属 品 箱 | Accessory box | 1 | | | | | | | | | | | | | | | |
| 507 | MB 02A0 608 | P 842003X01 | ネ シ 回 (中) | Screw driver (middle) | 1 | | | | | | | | | | | | | | | |
| 508 | MB 02A1 608 | P 842002X01 | ネ シ 回 (小) | Screw driver (small) | 1 | | | | | | | | | | | | | | | |
| 509 | MF 36A0 245 | W462881H01 | 円 錐 ハ ネ | Thread tension spring | 1 | | | | | | | | | | | | | | | |
| 510 | MF 10A0 187 | W475488H01 | 糸 取 リ ハ ネ | Thread take up spring | 1 | | | | | | | | | | | | | | | |
| | MF 12B0 187 | W461748H01 | 糸 取 リ ハ ネ | Thread take up spring | 1 | | | | | | | | | | | | | | | |
| 511 | MF 40A0 680 | W475405H01 | 針 金 | Steel wire | 1 | | | | | | | | | | | | | | | |
| 512 | M9 0401 041 | S 519132H01 | 丸 木 ね 4.5・20 | Screw 4.5・20 | 2 | | | | | | | | | | | | | | | |
| 513 | M9 0608 050 | S 562131H04 | 座 金 6 | Washer | 2 | | | | | | | | | | | | | | | |
| 514 | M9 5001 099 | P 423035X01 | フ ェ ー ズ | Fuse | 2 | | | | | | | | | | | | | | | |
| 515 | MF 36A0 123 | W461729H01 | ボ ー ビ ン | Bobbin | 4 | | | | | | | | | | | | | | | |
| | MF 41D0 123 | W466807H01 | ボ ー ビ ン | Bobbin | 4 | | | | | | | | | | | | | | | |
| 516 | MF 71D0 128 | S 970010H03 | 針 DB・1-2 #11 | Needle DB・1 2 #11 | 4 | | | | | | | | | | | | | | | |
| | MF 70A0 128 | S 970010H01 | 針 DB・1-2 #14 | Needle DB・1 2 #14 | 4 | | | | | | | | | | | | | | | |
| | MF 72B0 128 | S 970010H02 | 針 DB・1-2 #21 | Needle DB・1 2 #21 | 4 | | | | | | | | | | | | | | | |
| | MF 23C0 128 | S 970002H04 | 針 DB・1 #23 | Needle DB・1 #23 | 4 | | | | | | | | | | | | | | | |

付 属 品
ACCESSORIES

DB-189



付 属 品 ACCESSORIES

| Fig. No. | 部品コード Parts No. | 資材コード Ref. No. | 部 品 名 | Description | 使用 個数 Amt. Req. | 共通部品 Common Parts | | | | | | | | | | | | | |
|-------------|--------------------|-------------------|----------------------|-------------------------------------|--------------------------|----------------------|------------|------------|--------------|------------|--------------|---------------|---------------|---|--|--|--|--|--|
| | | | | | | DB-189-10M | DB-189-11M | DB-189-12M | DB-189-12.7M | DB-189-13M | DB-189-13.7M | DB-189-10FWBM | DB-189-10FWBY | | | | | | |
| 521 | MF 40E0 193 | W227464G01 | 糸 立 台 (組) | Cotton stand complete | 1 | | | | | | | | | | | | | | |
| 522 | MF 40E0 190 | P 992003X01 | 糸 巻 仕 掛 (組) | Bobbin winder complete | 1 | | | | | | | | | | | | | | |
| 917 | MF 40E0 776 | W341683G04 | ベルトカバー (組)(EB-6) | Belt cover complete (EB-6) | 1 | ○ | ○ | ○ | | ○ | | ○ | ○ | | | | | | |
| | MF 43E0 776 | W341683G07 | ベルトカバー (組)(EB-10) | Belt cover complete (EB-10) | | | | | | | | | | | | | | | |
| 523 | MF 60A0 734 | W220627H02 | ビニールカバー | Vinyl covor | 1 | | | | | | | | | | | | | | |
| 524 | MF 60A0 608 | W319408H01 | ネジ回シ (大) | Screw drive (large) | 1 | | | | | | | | | | | | | | |
| 525 | MF 20A2 691 | W471440H02 | ガスケット (小)(油槽) | Gasket for oil reservoir (small) | 1 | | | | | | | | | | | | | | |
| 526 | M9 2001 004 | W478196H01 | フラマイネシ 5 16(28)×10 | Oil drain screw 5 16(28)×10.0 | 2 | | | | | | | | | | | | | | |
| 527 | M9 7001 052 | W470200H01 | 特殊座金 | Washer (for Fig 526) | 2 | | | | | | | | | | | | | | |
| 918 | MF 40E0 727 | W341682G02 | 膝上ゲ仕掛 (組) | Knee lifter Complete | 1 | ○ | ○ | ○ | | ○ | ○ | ○ | ○ | ○ | | | | | |
| 528 | M9 2001 031 | B 509174H01 | 角頭ホルト 5 16(18)×13 | Set screw (for Fig 529) 5 16(18)×13 | 2 | | | | | | | | | | | | | | |
| 529 | MF 40A0 784 | P 659022X02 | 棒接手 (ネジ付キ) | Knee plate bar bracket | 1 | | | | | | | | | | | | | | |
| 530 | MF 20A0 728 | W449371H01 | 操作棒 | Knee plate bar | 1 | | | | | | | | | | | | | | |
| 531 | M9 1553 022 | P 993003X01 | ホルト 6×10 | Set screw 6×10 | 1 | | | | | | | | | | | | | | |
| 532 | MF 40A0 477 | P 993001X01 | ストップハ | Stopper | 1 | | | | | | | | | | | | | | |
| 533 | MF 40A0 737 | P 993000X01 | 膝上ケ板 | Knee plate | 1 | | | | | | | | | | | | | | |
| 534 | MF 40A1 737 | W482356H01 | 膝上ケ当 (スポンジ) | Pad for knee plate | 1 | | | | | | | | | | | | | | |
| 535 | MF 20A1 723 | W478169H01 | 膝上ケ軸 | Knee lifter rock shaft | 1 | | | | | | | | | | | | | | |
| 536 | MF 20A1 729 | W479331H01 | ヒネリハネ | Spring (for Fig 535) | 1 | | | | | | | | | | | | | | |
| 537 | M9 1520 001 | B 503980H01 | 頭ナシ止メネジ 15 64(28)×28 | Stopper screw 15 64(28)×28 | 2 | | | | | | | | | | | | | | |
| 538 | M9 1501 045 | B 509260H01 | ナット 15 64(28)×3 | Nut (for Fig 537) 15 64(28)×3 | 2 | | | | | | | | | | | | | | |
| 539 | M9 1502 002 | W500509H01 | 平ネジ 15 64(28)×12 | Set screw (for Fig 540) | 1 | | | | | | | | | | | | | | |
| 540 | MF 20A1 724 | W477606H01 | 膝上ゲレバー | Knee lifter crank | 1 | | | | | | | | | | | | | | |
| 541 | M9 0509 065 | S 592411H08 | E形止メ輪 9 | E-type stop ring 9 | 1 | | | | | | | | | | | | | | |
| 542 | MF 70A0 139 | P 997000X02 | 油槽 | Oil reservoir | 1 | | | | | | | | | | | | | | |
| 543 | MF 70A0 578 | W481685H01 | 膝上ゲピン | Knee lifter lifting rod | 1 | | | | | | | | | | | | | | |
| 544 | MF 20A3 691 | W471441H02 | ガスケット (大)(油槽) | Gasket for oil reservoir (large) | 1 | | | | | | | | | | | | | | |
| 919 | MF 70E0 139 | W341681G01 | 油槽 (組) | Oil reservoir complete | 1 | ○ | ○ | ○ | ○ | ○ | ○ | ○ | ○ | ○ | | | | | |
| 545 | MF 10E0 149 | W227466H01 | 油缶 | Oil can | 1 | | | | | | | ○ | ○ | ○ | | | | | |

DB-189

テーブル関係
TABLE & STAND

DB-189

