

## Machine Controller

マシンコントローラ

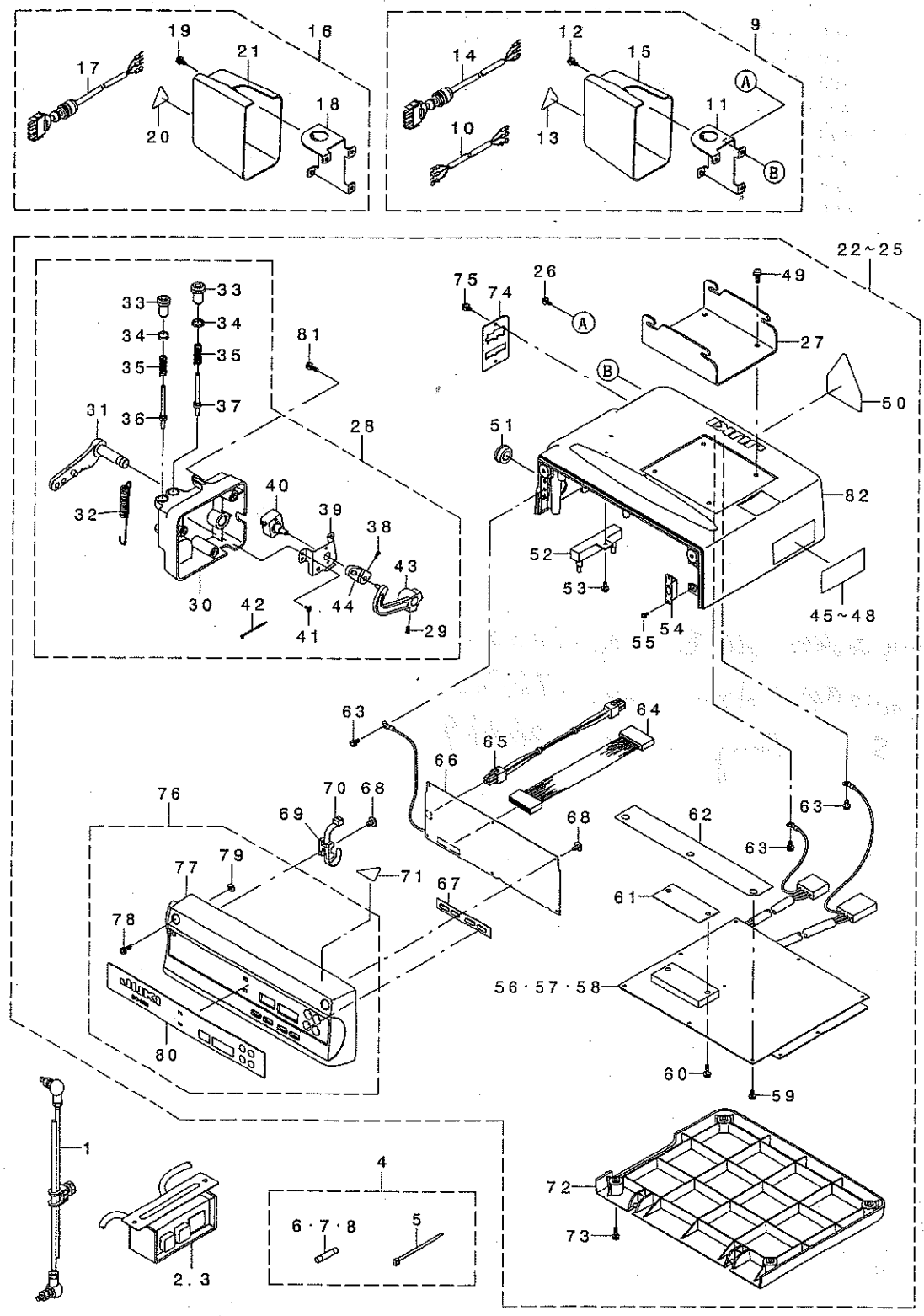
# SC-500

# PARTS LIST

40016498  
No.1383-00

### 1. PSC UNIT COMPONENTS

PSCユニット関係

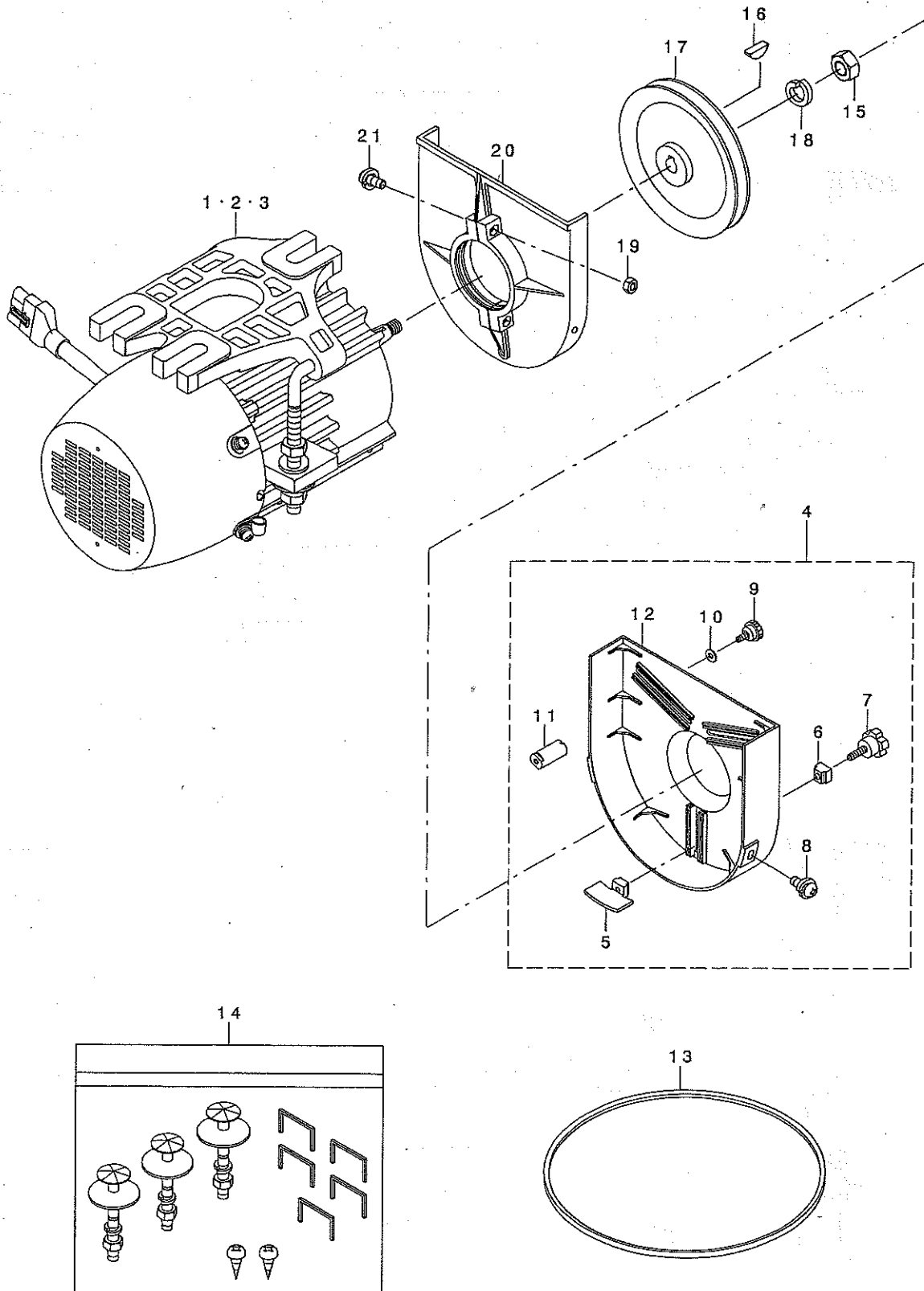


REF. NO.	NOTE	PART NO.	DESCRIPTION	Qty
1		M4501-471-AA0	CONNECTING ROD A ASM.	1
2	#01	M6101-471-AA0	POWER SWITCH A ASM.	1
3	#08	M6101-471-CA0	POWER SWITCH C ASM.	1
4		400-16531	BOX ACCESSORIE PART ASSY	1
5		EA-9500B02-00	CABLE BAND 150	1
6		KF-0000000-30	SLO-BLO FUSE	(2)
7		HF-0013020-P0	FUSE 2A	(1)
8		KF-0000000-50	SLO-BLO FUSE	(1)
9	#03	400-16464	POWER INPUT ASM. (CE)	(1)
10		M6102-461-DAA	AC INPUT CABLE ASM. (CE)	1
11		400-17187	POWER COVER BASE	(1)
12		SL-4040881-SC	SCREW M4 L=8	(1)
13		CM-3001000-01	LABEL	(2)
14		400-06139	CABLE D ASSY	(1)
15		400-17186	POWER COVER	(1)
16	#05	400-18368	POWER INPUT LA ASM.	(1)
17		400-12009	PSC UNIT CABLE B ASSY	(1)
18		400-17187	POWER COVER BASE	(1)
19		SL-4040881-SC	SCREW M4 L=8	(1)
20		CM-3001000-01	LABEL	(2)
21		400-17186	POWER COVER	(1)
22	#06	400-16493	PSC UNIT A ASSY	(1)
23	#02	400-16494	PSC UNIT B ASSY	1
24	#03	400-16495	PSC UNIT C ASSY	1
25	#04	400-18367	PSC UNIT D ASSY	1
26		SL-4040881-SC	SCREW M4 L=8	(3)
27		400-17184	BOX HANGER	(1)
28		400-16471	PEDAL SENSOR UNIT C ASSY	(1)
29		SM-8040802-TP	SCREW M4X8	(1)
30		400-17195	PEDAL SENSOR BASE	(2)
31		400-06112	PEDAL LEVER	(1)
32		400-17196	PEDAL SPRING	(1)
33		400-06212	ADJUST SCREW	(1)
34		400-06202	ADJUST NUT	(2)
35		400-06211	SPRING B	(2)
36		400-06209	SPRING SHAFT B	(1)
37		400-06208	SPRING SHAFT A	(1)
38		SM-4030801-SF	SCREW M3X0.5 L=8	(1)
39		400-06206	SENSOR INSTALLING PLATE	(1)
40		400-16526	PEDAL SENSOR ASSY	(1)
41		SV-4030601-SR	SCREW M3 L=6	(2)
42		EA-9500B01-00	CABLE BAND	(1)
43		400-06204	PEDAL LINK	(1)
44		400-06205	VOLUME LINK	(1)
45	#01	400-16524	RATING LABEL A	(1)
46	#02	400-16525	RATING LABEL B	(1)
47	#03	400-17775	RATING LABEL C	(1)
48	#04	400-18370	RATING LABEL D	(1)
49		SL-4051091-SC	SCREW M5X0.8 L=10	(4)
50	#07	CM-3004006-01	VOLTAGE CAUTION LABEL	(1)
51		KX-0000002-50	SNAP BUSHING	(1)
52		400-06134	RESISTANCE A ASSY	(1)
53		SL-4041081-SF	SCREW M4 L=10	(1)
54	#06	400-16522	VOLTAGE SELECT CORD ASSY	(1)
55	#06	SL-4030881-SF	SCREW M3 L=8	(2)
56	#01	400-16465	PWR PCB A ASSY	(1)
57	#02	400-16466	PWR PCB B ASSY	(1)
58	#03	400-16467	PWR PCB C ASSY	(1)
59		SL-4041081-SF	SCREW M4 L=10	(10)
60		SL-4041495-SC	SCREW M4 L=14	(2)
61		400-16529	COOL SHEET	(1)
62		400-16528	SAFETY SHEET	(1)
63		SL-4041081-SF	SCREW M4 L=10	(1)
64		400-16468	I/F CABLE ASSY	(3)
65		400-16469	DC POWER SUPPLY CORD ASSY	(1)
66		400-12423	CTL PCB ASSY	(1)
67		400-16527	RUBBER SWITCH	(1)
68		SV-4030802-SN	TAPPING SCREW WITH FLANGE M3X8	(1)
69		KX-0000002-60	SADDLE TYPE TIE MOUNT	(7)
70		HX-0029200-0A	CONNECTING PART	(1)
71		CM-3001000-01	LABEL	(1)
72		400-17182	BOTTOM COVER	(1)
73		SL-4041495-SC	SCREW M4 L=14	(4)
74		400-17185	CONNECTOR BRACKET	(1)
75		SL-4040881-SC	SCREW M4 L=8	(2)
76		400-16520	FRONT COVER A ASSY	(1)
77		400-17183	FRONT COVER	(1)
78		SL-4041495-SC	SCREW M4 L=14	(2)
79		M8002-430-000	STOPPER	(2)
80		400-16521	OPERATION PANEL	(2)
81		SL-4041495-SC	SCREW M4 L=14	(1)
82		400-17181	UPPER COVER	(3)

NOTE (注記)		
#01...	FOR 1φ 110V/3φ 220V JS	1φ 110V/3φ 220V JS用
#02...	FOR 1φ 200~240V JS	1φ 200~240V JS用
#03...	FOR 1φ 230V JE	1φ 230V JE用
#04...	FOR 1φ 200~240V CN	1φ 200~240V CN用
#05...	FOR 1φ 110~120V LA	1φ 110~120V LA用
#06...	FOR 1φ 110V/3φ 220V JS,	1φ 110V/3φ 220V JS,
	1φ 110~120V LA	1φ 110~120V LA用
#07...	FOR 1φ 200~240V JS,	1φ 200~240V JS,
	1φ 230V JE,	1φ 230V JE,
	1φ 200~240V CN	1φ 200~240V CN用
#08...	FOR 1φ 200~240V JS,	1φ 200~240V JS,
	1φ 200~240V CN	1φ 200~240V CN用

## 2. MOTOR COMPONENTS

モータ関係



REF. NO	NOTE	PART NO.	DESCRIPTION	品名	Qty
1	#01	400-18511	M50 MOTOR UNIT A	M50 モータユニットA	1
2	#02	400-18512	M50 MOTOR UNIT B	M50 モータユニットB	1
3	#03	400-18513	M50 MOTOR UNIT C	M50 モータユニットC	1
4		400-18509	M50 MOTOR BELT COVER ASSY	M50モータベルトカバーアッセンブリ	1
5		400-18571	DROPPING PLATE	ベルトハズレ防止ウツビ	(1)
6		400-18572	DROPPING PAD	ベルトハズレ防止ウツカクマ	(1)
7		400-18573	SCREW	ベルトハズレ防止ウツネジ	(1)
8		400-18574	SCREW	アクリルカバーAコティネジ	(2)
9		400-18570	SCREW	マキコミホウウツビソネジ	(1)
10		400-18569	WASHER	マキコミホウウツビソネジカネ	(1)
11		400-18568	SUPPORTING ROD	マキコミホウウツビ	(1)
12		400-18514	PULLEY COVER A	アクリルカバーA	(1)
13		400-18581	BELT M41	ベルト M41	1
14		400-18582	MOUNTING BOLT ASM	フックピン	1
15		400-18580	NUT	アクリルメナット	1
16		400-18578	KEY	アクリルキー	1
17		400-18577	PULLEY 110	アクリル110	1
18		400-18579	WASHER	アクリルメサカネ	1
19		400-18576	NUT	アクリルカバーBコティナット	2
20		400-18567	PULLEY COVER B	アクリルカバーB	1
21		400-18575	SCREW	アクリルカバーBコティネジ	2

NOTE (注記)

#01....FOR 1φ 200~240V JS	1φ 200~240V JS用
#02....FOR 1φ 230V JE	1φ 230V JE用
#03....FOR 1φ 110V/3φ 220V JUS,	1φ 110V/3φ 220V JUS,
1φ 110~120V LA,	1φ 110~120V LA,
1φ 200~240V CN	1φ 200~240V CN用

Encoder disk 400-18586  
Encoder Asm 400-18585  
CS Ring 400-26779