

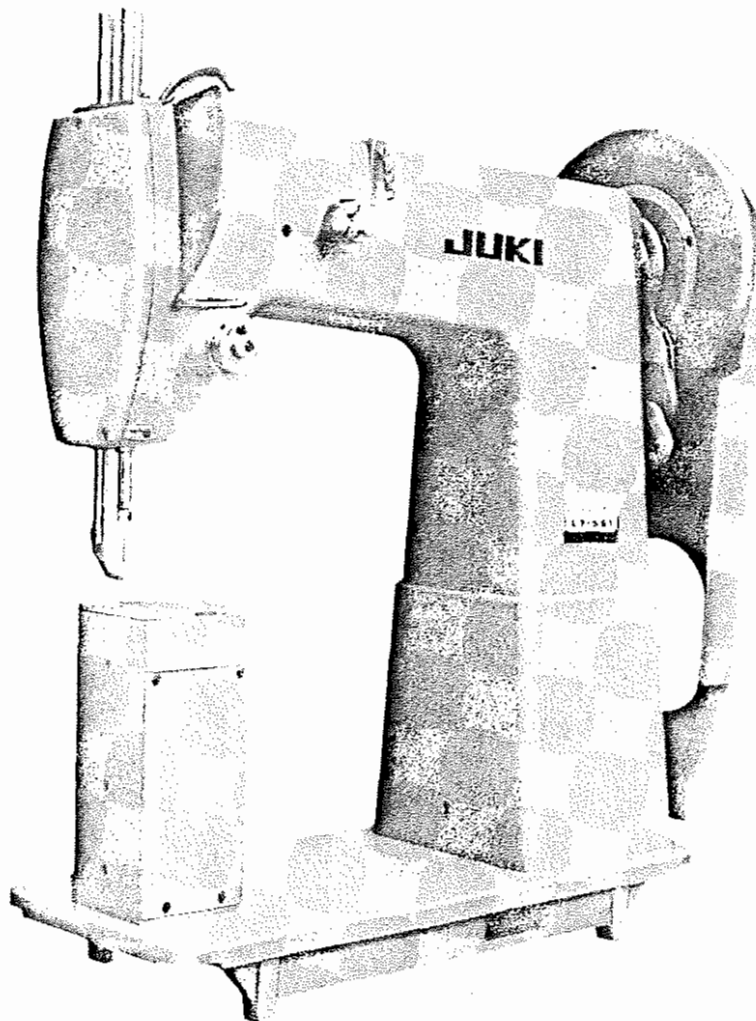
JUKI

Single Needle, Post Basting Machine

一本針本縫ポスト型しつけ縫ミシン

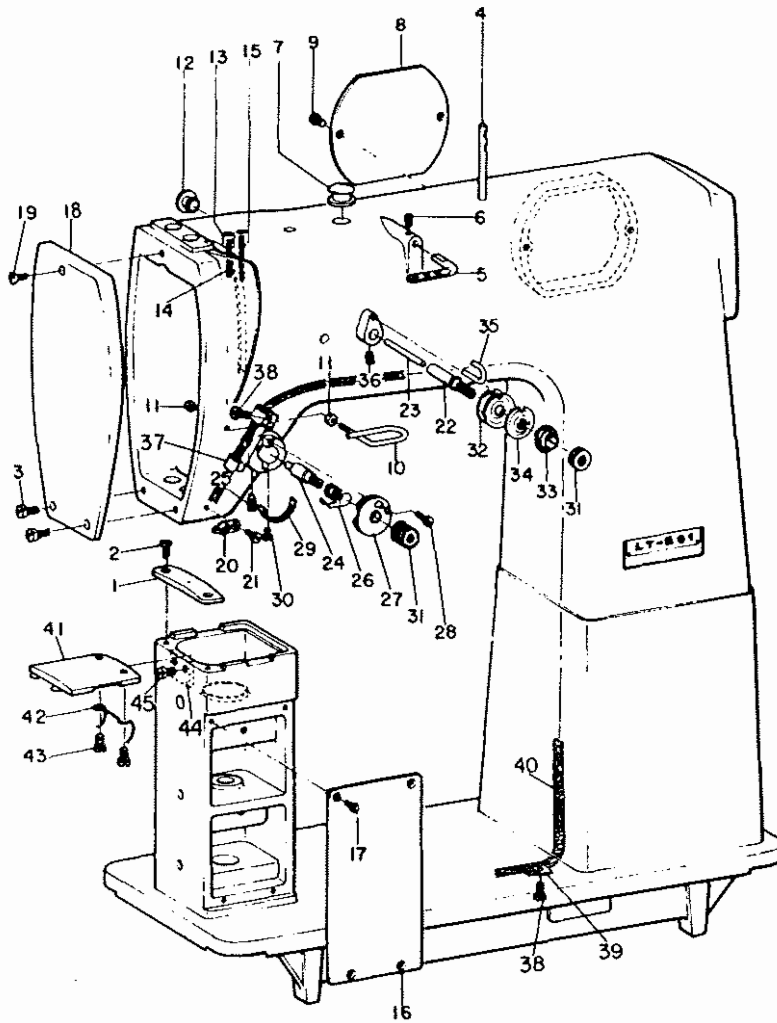
LT-591

PARTS LIST



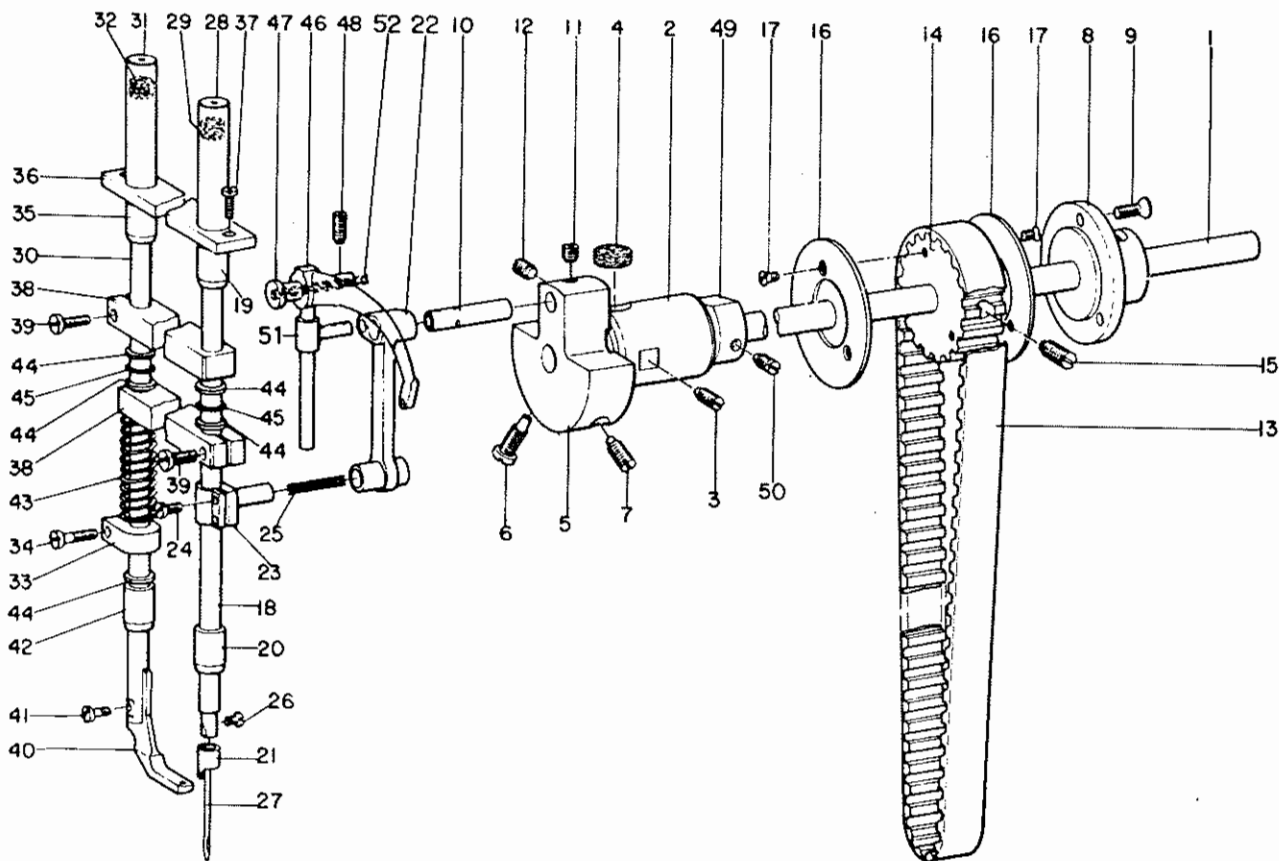
BE059120PJA

1. MACHINE FRAME & TENSION PARTS COMPONENTS



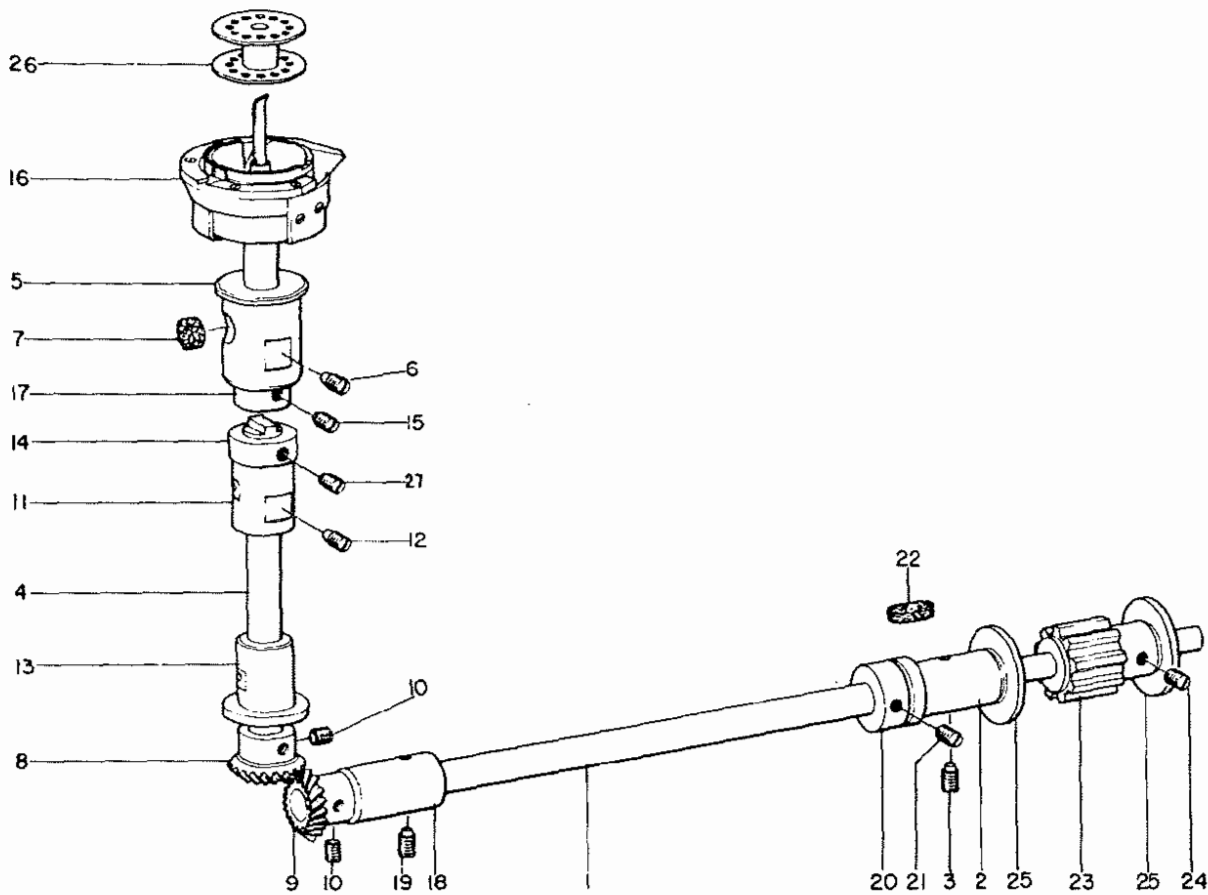
Ref. No.	Part No.	Description	Amt. Req.	Ref. No.	Part No.	Description	Amt. Req.
1	B-1109-059-000	Throat plate	1	24	B-3123-051-000	Take-up spring stud	1
2	SS-7110710-SP	. . . Screw	2	25	SS-8111251-SP	. . . Screw	1
3	SS-7090910-SP	Screw	2	26	B-3128-591-000	Take-up spring	1
4	B-1114-012-000	Thread guide pin	1	*27	B-3137-051-0A0	Take-up spring guide disc asm.	1
5	B-1128-522-000	Three-hole thread eyelet	1	28	SS-6081210-SP	Guide disc set screw	1
6	SS-8110320-SP	. . . Screw	1	29	B-3138-591-000	Take-up spring adjusting plate	1
7	B-1180-541-000	Rubber plug	1	30	SS-7090520-SP	. . . Screw	1
8	B-1130-027-000	Side plate	1	31	B-3125-012-000	Tension nut	3
9	SS-2090710-SP	. . . Screw	2	32	B-3126-051-000	Tension disc	2
10	B-1130-591-000	Frame thread guide	1	33	B-3129-012-A00	Tension spring	1
11	NS-6090310-SP	. . . Nut	2	34	B-3132-051-000	Tension release washer	1
12	B-1164-012-000	Rubber plug	1	35	B-3130-591-000	Thread guide (B)	1
13	B-1170-591-000	Oil pipe	1	36	SS-8150410-SP	Tension post set screw	1
14	CQ-202000000	Oil wick	1	37	D-3536-555-B00	Oil wick holder	1
15	CQ-202000000	Oil wick	1	38	SS-7090710-SP	Screw	2
16	B-1812-059-000	Post-bed cover	1	39	B-3508-512-000	Oil wick holder B	1
17	SS-2090510-SP	. . . Screw	4	40	B-1171-591-000	Oil wick	1
18	B-3101-059-000	Face plate	1	41	B-1110-591-000	Bed slide	1
19	SS-7090910-SP	. . . Screw	1	42	B-1111-591-000	Spring	1
20	B-1130-051-000	Frame thread guide, lower	1	43	SS-7090510-SP	Screw	2
21	SS-2090710-SP	. . . Screw	1	44	B-1840-591-000	Plate	1
22	B-3124-059-000	Thread tension post	1	45	SS-7060610-SP	Screw	2
23	B-3141-059-000	Tension release pin	1				

2. MAIN SHAFT, NEEDLE BAR & PRESSER BAR COMPONENTS



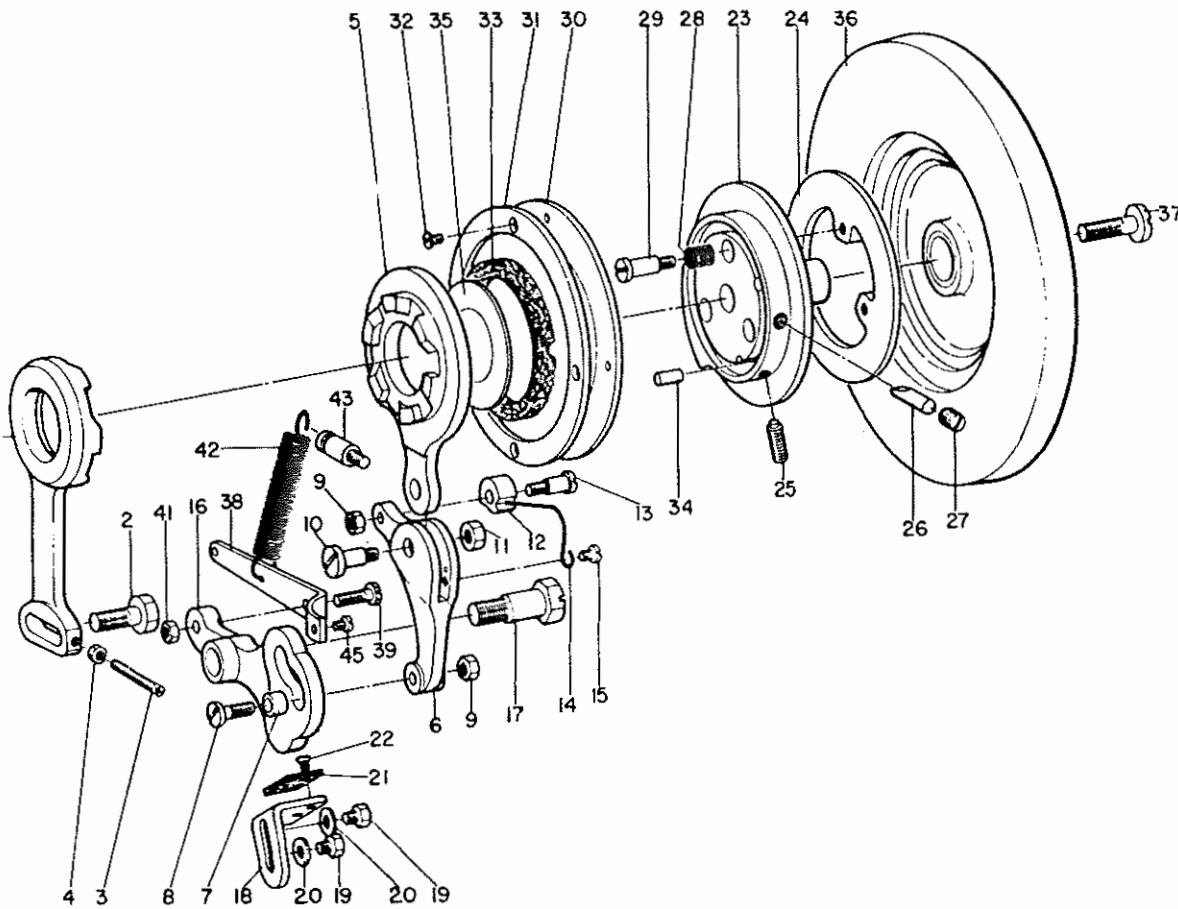
Ref. No.	Part No.	Description	Amt. Req.	Ref. No.	Part No.	Description	Amt. Req.
1	B-1201-059-000	Main shaft	1	26	SS-7080510-SP	Needle set screw	1
2	B-1202-059-000	. . . Bushing, front	1	27	MTV-700B1400	Needle (TV x 7 #14)	1
3	SS-8151770-SP	. . . Screw	1	28	B-1506-059-000	Needle bar guide sleeve	1
4	B-1203-051-000	. . . Oil felt	1	29	B-1507-591-000	. . . Oil felt	1
5	B-1206-059-000	Counterweight	1	30	B-1501-059-000	Presser bar	1
6	SS-7681750-TP	. . . Screw (A)	1	31	B-1506-059-000	Presser bar guide sleeve	1
7	SS-8681650-TP	. . . Screw (B)	1	32	B-1507-591-000	. . . Oil felt	1
8	B-1203-591-000	Main shaft rear bushing	1	33	B-1505-059-000	Presser bar guide bracket	1
9	SS-7621040-SP	. . . Screw	3	34	SS-6121610-SP	. . . Screw	1
10	B-1210-051-000	Needle bar crank pin	1	35	B-1402-059-000	Presser bar upper bushing	1
11	SS-8680540-SP	. . . Screw (A)	1	36	B-1508-059-000	Support plate, for guide sleeve	1
12	SS-8680730-SP	. . . Screw (B)	1	37	SS-7120910-SP	. . . Screw	2
13	B-1340-059-000	Timing belt	1	38	B-1509-059-000	Presser bar connecting plate	2
14	B-1341-059-000	Sprocket wheel, upper	1	39	SS-6621410-SP	. . . Screw	2
15	SS-8681650-TP	. . . Screw	2	40	B-1524-059-000	Presser foot	1
16	B-1343-059-000	. . . Thrust plate	2	41	SS-6090910-TP	. . . Screw	1
17	SS-2090510-SP	. . . Screw	6	42	B-1403-059-000	Presser bar lower bushing	1
18	B-1401-059-000	Needle bar	1	43	B-1504-591-000	Presser spring	1
19	B-1402-059-000	. . . Bushing, upper	1	44	B-2740-771-000	Gasket, for connecting plate	5
20	B-1403-059-000	. . . Bushing, lower	1	45	RO-0952001-00	Rubber ring, for connecting plate	2
21	B-1418-591-A00	Needle thread guide	1	46	B-1905-059-000	Thread take-up lever	1
22	B-1408-057-000	Needle bar crank connecting rod	1	47	B-1906-051-000	. . . Shaft	1
23	B-1411-057-000	Needle bar connection	1	48	SS-8151550-SP	. . . Screw	1
24	SS-7110720-SP	. . . Screw	2	49	B-3140-591-000	Thread tension release cam	1
25	B-1204-051-000	. . . Oil wick	1	50	SS-8621150-SP	. . . Screw	2
				51	B-1907-057-000	Thrust pin	1
				52	CO-2020000-00	Oil wick	1

3. VERTICAL-AXIS SEWING HOOK & HOOK DRIVING SHAFT COMPONENTS



Ref. No.	Part No.	Description	Amt. Req.	Ref. No.	Part No.	Description	Amt. Req.
1	B-1801-059-000	Hook driving shaft	1	14	CS-1271012-SH	Thrust collar	1
2	B-1808-059-000	. . . Bushing, rear	1	15	SS-8150410-SP	. . . Screw	2
3	SS-8620850-SP	. . . Screw	1	16	B-1850-059-0A0	Vertical-axis sewing hook	1
4	B-1813-059-000	Sewing hook connecting shaft	1	17	CS-0951019-SH	. . . Thrust collar	1
5	B-1814-059-000	Bushing, for sewing hook shaft	1	18	B-1802-591-000	Front bushing, for hook driving shaft	1
6	SS-8620850-SP	. . . Screw	1	19	SS-8620850-SP	. . . Screw	1
7	B-8206-012-000	. . . Oil felt	1	20	CS-1271012-SH	Thrust collar, for hook driving shaft	1
8	B-1811-059-A00	Mitre gear (A)	1	21	SS-8660410-SP	. . . Screw	2
9	B-1811-059-B00	Mitre gear (B)	1	22	B-1212-012-000	Screw, for rear bushing	1
10	SS-8110510-SP	. . . Screw	4	23	B-1302-581-000	Sprocket wheel, lower	1
11	B-1832-059-000	Upper bushing, for sewing hook connecting shaft	1	24	SS-9150860-SP	. . . Screw	2
12	SS-8620850-SP	. . . Screw	1	25	B-1304-581-000	. . . Thrust plate	2
13	B-1833-059-000	Lower bushing, for connecting shaft	1	26	B-9117-057-000	Bobbin	1
				27	SS-8660410-SP	Screw	2

4. STOP-MOTION CLUTCH COMPONENTS



Ref. No.	Part No.	Description	Amt. Req.	Ref. No.	Part No.	Description	Amt. Req.
1	B-1301-050-000	Fixed clutch	1	23	B-1315-591-000	Friction clutch (A)	1
2	B-1313-050-000	. . . Screw	1	24	B-1316-050-000	Friction clutch (B)	1
3	B-1314-050-000	. . . Stopper	1	25	SS-8681650-TP	. . . Screw	2
4	NS-6080210-SP	. . . Nut	1	26	B-1318-050-000	. . . Pin	1
5	B-1302-050-000	Stop-motion clutch	1	27	SS-8680730-SP	. . . Screw	1
6	B-1303-050-000	. . . Lever	1	28	B-1322-050-000	. . . Spring	3
7	B-1305-050-000	. . . Roller, for driving lever	1	29	SD-0651501-SP	. . . Driving pin	3
8	SD-0640642-SP	. . . Hinge screw	1	30	B-1317-050-000	. . . Plate	1
9	NS-6150310-SP	. . . Nut	2	31	B-1324-050-000	. . . Presser plate	1
10	SD-0790802-SP	. . . Hinge screw	1	32	SS-1090930-SP	. . . Screw	4
11	NS-6160520-SP	. . . Nut	1	33	B-1320-050-000	Brake	1
12	B-1307-050-000	. . . Driving cam	1	34	B-1319-050-000	. . . Pin	1
13	SD-0640641-SP	. . . Hinge screw	1	35	B-1323-050-000	Clutch liner	1
14	B-1309-050-000	. . . Spring	1	36	B-1325-050-000	Driving pulley	1
15	SS-6080610-TP	. . . Screw	1	37	B-1211-050-000	. . . End screw	1
16	B-1310-050-000	. . . Driving lever	1	38	B-1330-050-000	Driving lever	1
17	SD-1201751-SP	. . . Hinge screw	1	39	SS-9151740-CP	. . . Bolt	1
18	B-1331-050-000	. . . Stopper	1	40	SS-4091010-SP	. . . Screw	1
19	SS-9151120-CP	. . . Screw	2	41	NS-6150430-SP	. . . Nut	1
20	WP-0650876-SD	. . . Washer	2	42	B-1342-591-000	Tension spring	1
21	B-1332-050-000	. . . Cushion	1	43	B-2714-761-000	. . . Suspension screw	1
22	SS-1080510-SP	. . . Screw	2				

