

EASTMAN

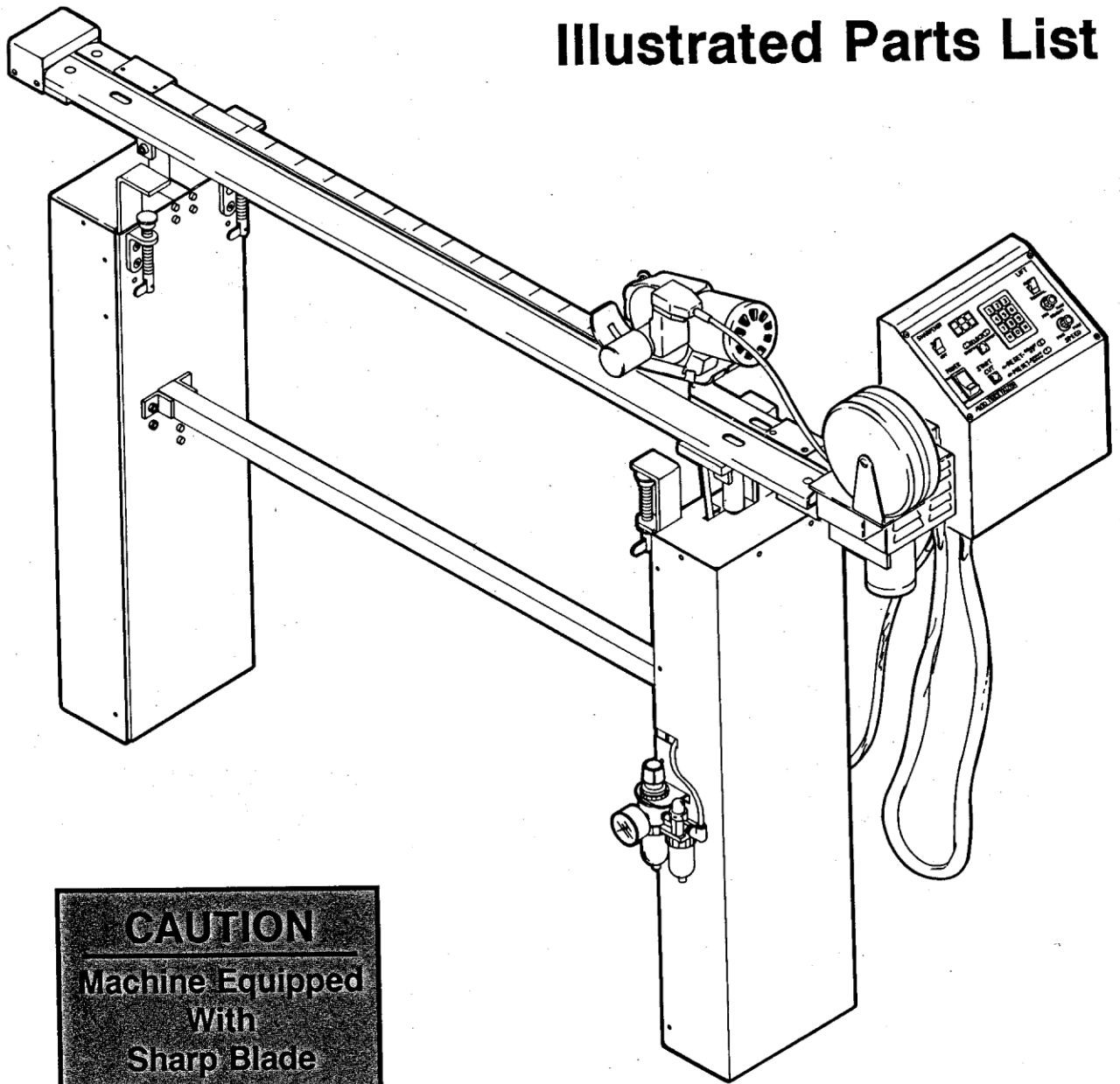
# ***AutoTrack Falcon With Pneumatic Lift***

**MODEL FAL-AT-MS**

**WARNING**

Safety glasses must be worn at all times when operating or servicing this equipment.

## **Instruction Manual & Illustrated Parts List**



**CAUTION**

Machine Equipped  
With  
Sharp Blade

**Eastmanmachine**  
COMPANY

## Table of Contents

<b>Installation</b>		<b>Maintenance</b>	
Mount Track to Table .....	3	Knife Motor .....	8
Mount Control Box .....	3	Knife Sharpener .....	8
Air Line Lubricator .....	3	Shear Plate Replacement .....	8
Air Line Hook-up	3	Shear Plate Adjustment .....	8
		Sharpener Replacement .....	9
<b>Familiarization</b>		Lubrication of Knife Gear .....	9
Digital Control Box .....	4	Motor Brush Replacement .....	9
Cut Length Control Box .....	6	Fuse Replacement .....	9
		Traverse Belt Replacement and	
<b>Operation</b>		Falcon Cutter Installation .....	10
Digital Control Box .....	5	Lift Belt Replacement .....	10
Cut Length Control Box .....	7	Drive Motor .....	11
Non-Lift Type .....	7	Lubrication .....	11
		Brush Replacement .....	11
<b>Adjustments</b>		Air Line Lubricator .....	11
Lift Height .....	7		
Cutting Speed .....	7	<b>Illustrated Parts List</b>	
Air Regulator Valve .....	7	Table of Contents .....	12
Speed Control Valve .....	7		

### IMPORTANT

The purchaser must instruct all operators on the proper use of this equipment. All standard industrial safety measures and equipment should be provided to protect the operator. Operators must be cautioned that improper or careless use of this equipment may cause personal injury. If you do not have qualified operators to instruct new persons, contact your EASTMAN sales representative or EASTMAN factory direct.

Electrical connections and servicing to this equipment should be made by a qualified electrician who is familiar with applicable codes and regulations. Disconnect this equipment from electrical power source before proceeding with any disassembly for adjustment or repair.

The Auto Track Falcon with Pneumatic Lift is designed to raise track with force. To prevent injury, all personnel should be instructed to wear safety glasses and stand well clear of track when in operation.

**Limited Warranty.** Eastman warrants to the buyer that the equipment shall be free from defects in materials or workmanship for a period of 180 days commencing on the date of invoice. Any goods or parts claimed by the buyer to be defective must be returned to Eastman, freight charges prepaid, within the 180-day warranty period. If Eastman determines that the goods or parts are defective in materials or workmanship, Eastman's sole obligation under this warranty shall be, at Eastman's sole option, to repair or replace the defective goods or parts or to provide the buyer a credit equal to the portion of the purchase price allocable to the defective goods or parts. This warranty shall not apply if defects are caused by product misuse or neglect, if the machine has been altered or modified by the buyer, or if other than genuine Eastman belts, emery wheels, knives or parts are used in the machine. THIS WARRANTY IS THE ONLY WARRANTY APPLICABLE TO THIS PURCHASE. SELLER DISCLAIMS ALL OTHER WARRANTIES, EXPRESS OR IMPLIED, INCLUDING, BUT NOT LIMITED TO, THE IMPLIED WARRANTIES OF MERCHANTABILITY AND FITNESS FOR A PARTICULAR PURPOSE.

**Limitation of Liability.** Eastman's liability to the buyer, and the buyer's remedies from Eastman, whether in contract, negligence, tort, under any warranty or otherwise, shall be limited to the remedies provided in the foregoing Limited Warranty. In no event shall Eastman have any responsibility or liability to the buyer for (a) any special, indirect, incidental, or consequential damages, including, but not limited to, loss of use, revenue, or profit, even if Eastman has been advised of the possibility of such damages, or (b) any claim against the buyer by any third party. The price stated for the product sold is a consideration for limiting Eastman's

Before operating machine, read these instructions carefully. Familiarize yourself with all functions and adjustments of this equipment.

The Auto Track Falcon is shipped partially disassembled with all the necessary parts for proper setup and operation. Before any operation can take place, the installation procedure must be followed.

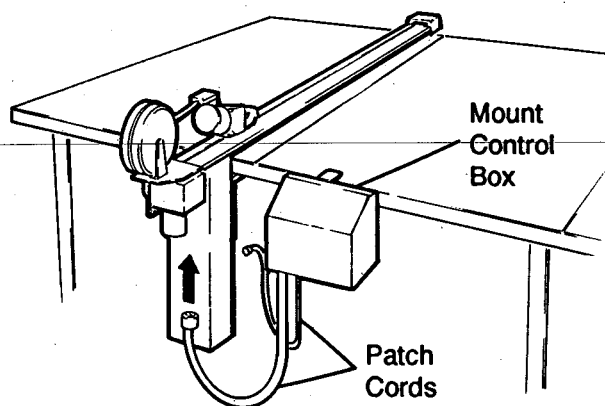
## INSTALLATION

Open shipping crate and inspect all parts. The parts included are:

- (1) Part and Instruction Manual.
- (1) Track Assembly with Pneumatic Lift.
- (2) Support Tubes.
- (1) Control Box.
- (2) Patch Cords.
- (1) Remote Start Device (optional).
- (1) Hardware Package containing (8) Screws, (8) Hex Nuts and (8) Lock Washers.
- Optional Accessories.

### Mount Track to Table

Remove track with lift from crate and place on table with track edge parallel to seam in your cutting table. Use a framing square, or similar tool to check machine for cut of fabric exactly as desired. Clamp the track to table at both front and rear ends of track. If necessary, adjust the clamp spindle so track is firmly mounted to table.



Remove (12) twelve screws on front lift cover and (12) twelve screws on rear lift cover. Set covers aside. Mount the (2) two support tubes to the lift frames and secure as shown on pages 22 to 25. Unroll the nylon lift belt on the front lift and thread belt under front pulley, thru lower support tube, over rear pulley, and under rear lock plate.

Do not twist belt when threading. Pull lift belt hand tight and secure lock plate screws. See maintenance section for threading diagram. Replace front and rear lift covers.

### Mount Control Box

Clamp control box to table at front side of track. Connect the large patch cord between the control box and the gear housing and the small patch cord between the control box and the socket on the front lift plate. Connect the plug on the cord reel to socket on top of the gear housing. Connect cord reel terminal plug to Falcon terminal block.

### CAUTION

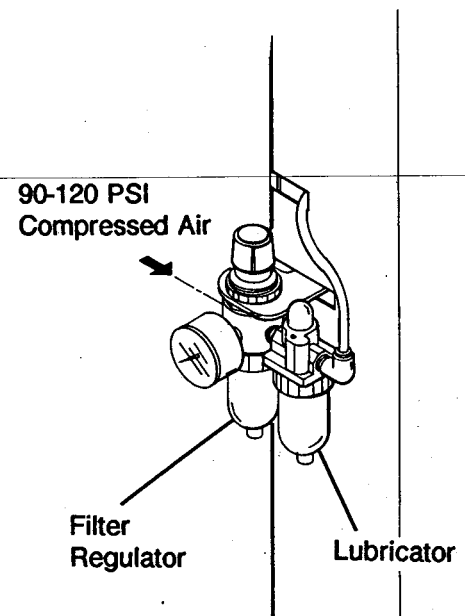
Check to be sure the power supply is the same voltage rating as stamped on the control box terminal block.

### Air Line Lubricator

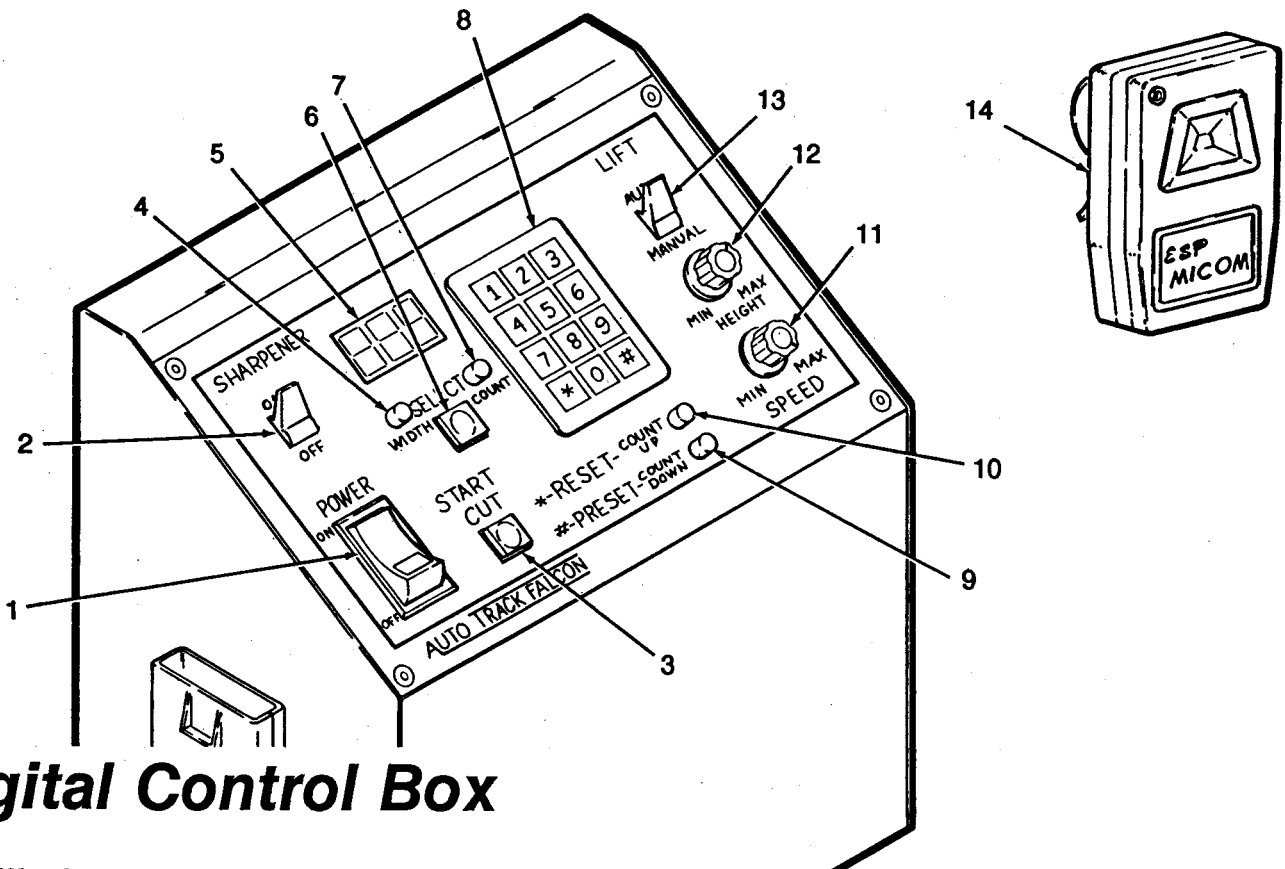
Release air line pressure. Remove lubricator sight tube bowl by turning counterclockwise. Fill sight tube bowl 3/4 full with genuine EASTMAN Air Line Lubricant (242C1-4) or equivalent. Replace Sight Tube Bowl.

### Air Line Hook-Up

The Pneumatic Lift requires a 90-120 psi compressed air line connected properly to the filter regulator. Locate the regulator on the front lift and connect the air line with a 1/4 N.P.T. Quick Connect or equivalent.



**Eastman**machine  
COMPANY



## Digital Control Box

### Familiarization

#### Digital Control Box

1. **Main Power:** Activates power to all circuits. Red light is on when switch is at ON position.
2. **Sharpener:** Allows Falcon Motor to run without moving Falcon Cutter when in ON position. Sharpen knife by pressing button on side of Falcon Cutter with constant pressure. Hold for 10 seconds, then release.
3. **Start Cut:** Press button to begin cutting cycle (unit must be programmed).
4. **Width Indicator Light:** Indicates program selection for length of cut.
5. **Digital Display:** Display for programming length of cut in width mode and displays number of plies left to cut or plies cut in count mode.
6. **Select:** Press to select programming mode (width or count).
7. **Count Indicator Light:** Indicates count mode for program selection.
8. **Numeric Keyboard**
9. **Preset-Count Down Indicator Light:** Indicates count down mode selection.
10. **Reset-Count Up Indicator Light:** Indicates count up mode selection.
11. **Cutting Speed Adjustment:** Varies speed of cutting machine travel.
12. **Height Adjustment:** Allows operator to set time of lift cycle for specific materials (For machines equipped with lift only).
13. **Auto/Manual Lift:** Switches lift to Auto or Manual Lift Mode.
14. **Remote Control Start:** (optional) Remote hand held "StartCut" button to begin cutting cycle.

## Operation

### Digital Control Box

#### CAUTION

Before connecting power supply, make sure voltage rating is same as stamped on terminal block. Damage to control unit may result if incorrect power supply is used.

When power supply is properly connected to control box, air line is connected and cables are attached, the unit is ready for operation.

Activate main power by pressing POWER "ON-OFF" switch to ON position. The power light will go on, the digital display will show "000" and the SELECT WIDTH light will start blinking. The unit can now be programmed.

To program CUT LENGTH, the operator must hold down the PRESET (#) button on the keyboard and then press in proper cut length in inches (cm), as marked on the track. If incorrect number is punched in, release preset button, press and reselect new number. The SELECT button will change count and width mode at any time during operation.

**NOTE:** It is recommended to program the width 10 inches (20cm) more than the width of the fabric to avoid incomplete cut caused by fabric shift or width variations.

After cut length is programmed, either COUNT UP or COUNT DOWN must be selected. Count up mode will display number of plies cut, up to "999". If counter reaches "999" it will automatically start at "000" without stopping cut. Count down mode will count down from preselected quantity and automatically stop when display reaches "000".

To program COUNT UP mode, press the RESET (★) button on the keyboard and the COUNT UP light will indicate the count up mode selection. To reset counter display to "000", press the RESET (★) button at any time. Machine can now count up plies being cut.

To program for COUNT DOWN mode, the SELECT button should be pressed to convert the display to a counter. The count light will indicate counter display. To key in the amount of plies desired, press and hold the

PRESET (#) button and punch in the number of plies. The COUNT DOWN light will go on and machine is ready for cutting. The number of plies are now in memory and can be recalled by pressing the PRESET (#) button. Programming is now complete.

After programming has been completed, switch the "AUTO/MANUAL" lift switch to AUTO position. Cutting can now take place. Pull material to desired length beyond track. Press start button on control box or remote start (optional). Falcon Cutter will start and travel the preset distance down track. When cutter stops and reverses, the lift mechanism raises track and drops down to clamp end of material. Counter records each cycle of knife motor.

#### CAUTION

The air lift is designed to raise track with force. To prevent injury, personnel should stand well clear of track when in operation. All operators should be trained in the operation of the machine prior to use.

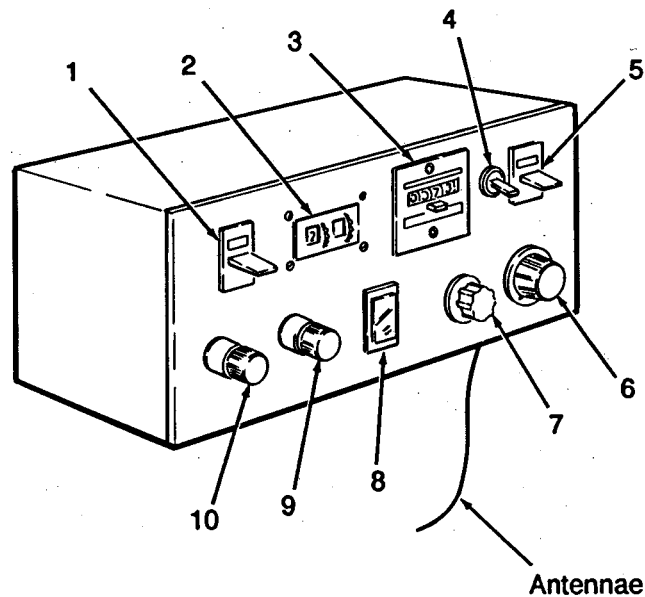
**IMPORTANT:** To stop the Auto Track Falcon at any point during operation, press the power ON-OFF switch to OFF position.

#### Simplified Operating Instructions

- 1) Activate Main Power
- 2) Program Cut Length
- 3) Program Count Up or Count Down Mode
- 4) Press START CUT button or REMOTE button to begin cut

**Eastman**machine  
COMPANY

# CUT LENGTH CONTROL BOX



## Familiarization

### Cut Length Control Box

1. **Main Power:** Activates power to all circuits. Red light is on when switch is at ON position.
2. **Length of Cut:** Sets length of travel, each unit equals approx. 2.4 inches (6.1cm) of travel.
3. **Ply Counter:** Automatically records number of plies cut. Push button to set at zero.
4. **Auto/Manual Lift:** Switches lift to Auto or Manual Lift Mode.
5. **Sharpener:** Allows knife to run without moving cutting machine. Red light indicates power to this circuit. Sharpen knife by pressing button on side of falcon cutter with gentle pressure while knife is turning.
6. **Speed:** Varies speed of cutting machine travel.
7. **Lift Height:** Allows operator to set time of lift cycle for specific materials (For machines equipped with lift only).
8. **Start:** Press to begin cycle of cutting machine.
9. **Falcon Cutter Fuse:** For replacement use 3 amp fuse.
10. **Drive Motor Fuse:** For replacement use 3 amp fuse.
11. **Remote Control Start:** (optional) Remote hand held push button, has the same function as green start button.

---

## Operation

### Cut Length Control Box

#### CAUTION

Before connecting power supply, make sure voltage rating is same as stamped on terminal block. Damage to control unit may result if incorrect power supply is used.

When power supply is properly connected to control box, air line is connected and machine cables are attached, the unit is ready for operation.

Activate main power by pressing power "ON-OFF" switch to ON position. Set length of cut in units (1 unit = 2.4 inch; 6.1 cm) by turning the thumb wheel dial to the number of units desired as shown on the track.

**NOTE:** It is recommended to set cut length 4 units more than width of fabric to avoid incomplete cut caused by fabric shift or width variations.

After cut length is set, press the PLY COUNTER to zero out counter. Switch the Auto/Manual lift switch to AUTO position and cutting can now take place. Pull material to desired length beyond track. Press START button on control box or REMOTE START (optional). Falcon Cutter will start and travel the preset distance down track. When cutter stops and reverses, the lift mechanism raises track and drops down to clamp end of material. Counter records each cycle of knife motor.

#### CAUTION

The air lift is designed to raise track with force. To prevent injury, personnel should stand well clear of track when in operation. All operators should be trained in the operation of the machine prior to use.

**IMPORTANT:** To stop the Auto Track Falcon at any point during operation, press the power ON-OFF switch to OFF position.

#### Non-Lift Type

The Non-Lift Auto Track Falcon operates in the same manner as with lift except the track is permanently mounted to the table and will not lift to clamp the fabric.

## Adjustments

This machine is adjusted and tuned at the factory for optimal performance. No adjustments other than normal setup are necessary. However, if after continued use the performance level becomes unacceptable, the following procedures should be carried out before repairs are considered.

#### Lift Height

The track should raise up enough to clamp the maximum height of spread. To adjust the lift height, locate the "Height" knob on the control box. Turn the knob clockwise to increase lift height of track and counterclockwise to decrease lift height.

#### Cutting Speed

The cutting speed will vary depending on material to be cut. To adjust cutting speed, locate the "Speed" knob on the control box. Turn the knob clockwise to increase the speed of cutter moving down the track and counterclockwise to decrease speed. If cutter tends to lag when cutting, less speed is required.

#### Air Regulator Valve

The air regulator valve, when adjusted properly at 60-80 PSI, will produce a quiet, smooth lifting motion. To adjust pressure, pull the "Adjust" knob up and turn clockwise to increase pressure and counterclockwise to decrease pressure. After adjustment is made, push knob down to lock in place.

#### Speed Control Valve

Located on the front main plate, the speed control valve adjusts the speed and pressure of lift. To adjust, remove the front cover and locate the speed control valve. Loosen the lock wheel and turn thumb screw OUT to increase speed and pressure or IN to decrease. The track should raise up with minimum force for proper adjustment. Tighten thumb screw when adjustment is complete.

#### CAUTION

Improper adjustment can cause personal injury or damage to your machine. Adjustment should be made by qualified personnel.

---

**Eastmanmachine**  
COMPANY

## Maintenance

**NOTE:** All maintenance procedures may be performed with knife motor (Falcon) installed in track. It is not necessary to remove Falcon from Auto Track mechanism.

### Knife Motor

#### WARNING

This machine is equipped with a sharp knife. Keep hands away from knife area at all times. DO NOT handle cutting machine at any time unless terminal block is disconnected from power supply. Knife guard should be raised only enough to clear the material being cut. When machine is not in use, knife guard should be set at its lowest position. DO NOT OPERATE THIS MACHINE WITH SAFETY GUARDS REMOVED.

### Knife Sharpener

Switch sharpener to ON position (use CAUTION when sharpening blade). The Falcon Cutter remains in its home position and the blade turns. To obtain a fine, keen edge on the blade, press lightly against sharpener button which is located on the side of the Falcon Cutter. Press and hold button with constant pressure for 10 seconds, then release. Return sharpener switch to OFF position.

**NOTE:** If sharpener switch is turned on right after the power switch is turned on, the blade motor will not start. Press the "START CUT" button before programming to enable knife motor.

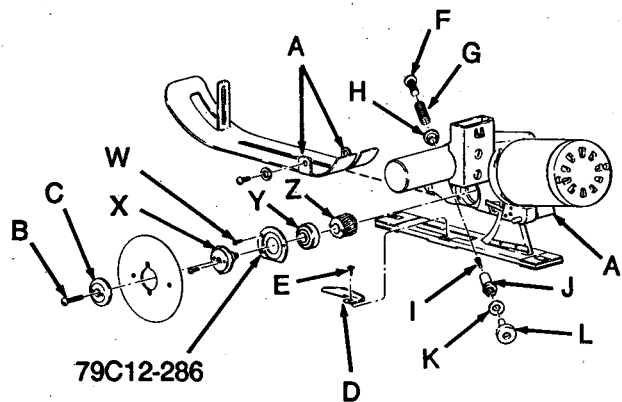
#### CAUTION

Before performing any of the following procedures, make sure that the attachment plug is disconnected from the terminal block at the control box.

### Knife Replacement

Remove pressure foot from knife standard by removing two (2) screws and two (2) washers at "A". Place small drift pin or screwdriver through hole in knife to prevent rotation. Remove knife bolt "B" and knife flange cover "C". Carefully lift out and discard used knife blade.

**CAUTION:** Discard used knife with care!



Insert new knife blade, bevel side in, by sliding it under shear plate "D". Make sure slots in knife align with tabs on knife hub and that knife is seated flush on hub. Replace all parts in reverse order and check that all fasteners are tightened securely before resuming operation.

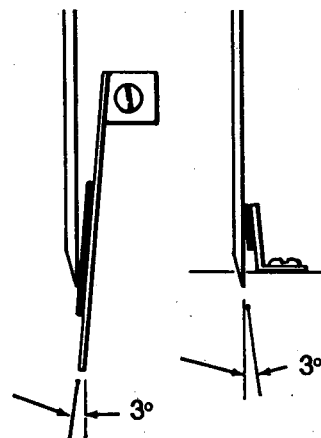
**NOTE:** It is not necessary to remove cutting machine from track or shear plate from machine when replacing knife.

### Shear Plate Replacement

Remove knife as described above. Align Falcon Cutter with screw "E" accessible thru slot in track. Remove screw "E" and shear plate "D". Replace with new shear plate and reassemble in reverse order. Adjust shear plate and check tightness of "E" before resuming operation.

### Shear Plate Adjustment

After replacing shear plate, adjust angle of spring so carbide contacts knife edge at a 3 degree angle. Refer to diagrams for explanation of proper angle.





### Sharpener Replacement

Remove knife as described above. Insert screwdriver into slotted head of sharpener button "F" and hold bushing "J" in place. Turn screw counterclockwise to remove button "F" and spring "G". Remove screw "I" to separate bushing "J", spring washer "K" and emery wheel "L". Replace emery wheel and reassemble in reverse order. Check that screw "F" is tightened securely.

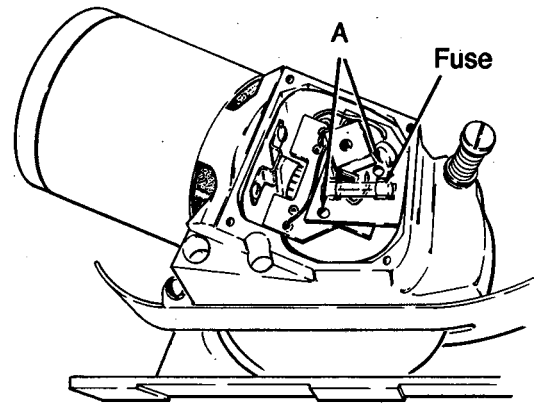
### Lubrication of Knife Gear

Knife gear "Z" should be removed and replaced if necessary or repacked with grease every three months. Remove knife as described above, to expose bearing retainer plate 79C12-286. Insert a 10-32 x 1 1/2" screw into center of knife flange "X" so that gear, bearing and knife flange can be removed as one unit. Remove three (3) screws "W" and lift out gear assembly. Inspect and replace gear "Z" if necessary or repack gear teeth ONLY with grease. Reassemble in reverse order making sure that bearing "Y" is seated squarely before securing knife flange "X" and retainer plate.

**IMPORTANT:** Use of too much grease when repacking knife gear "Z" may result in undue strain on knife motor.

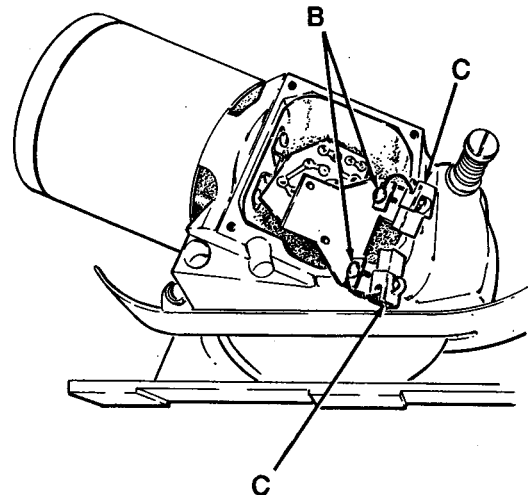
### Motor Brush Replacement

Remove four (4) screws from cover plate. Remove cover plate and insulation material using care not to damage the insulation. Remove two (2) screws "A" and carefully lift out combined circuit board and motor brush card assembly. DO NOT disconnect wires. Turn brush card over, loosen two (2) screws "B" and pull motor brush pigtailed from under fasteners. Slide brushes out from guides. Insert new brushes so that beveled corner at wire pigtail faces slot "C" in brush guide. Brush pigtail runs from slot "C" to screw fastener "B". Wrap pigtail around screw "B" and tighten screw. Turn circuit board/brush card assembly back to original position. Spread brushes enough to slide over commutator and work board/card assembly down inside cavity until brushes "snap" over commutator. Secure board/card assembly with two (2) screws "A" and carefully replace insulation material. Fasten cover with four (4) screws.

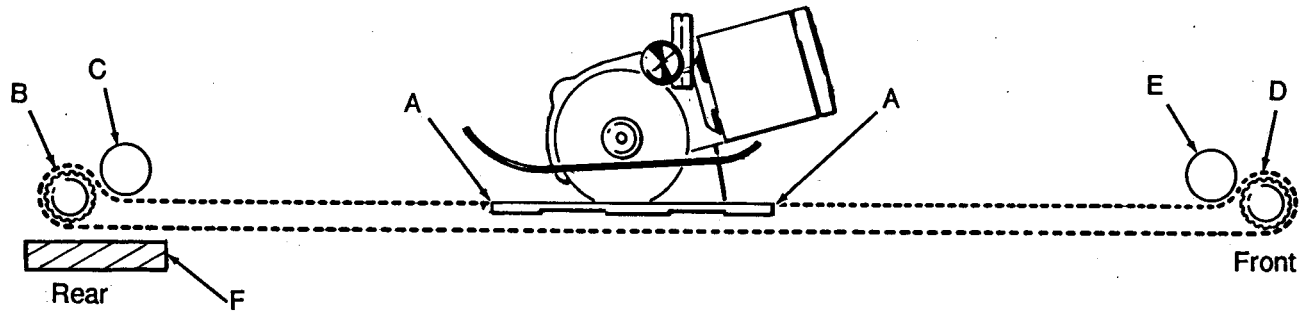


### Fuse Replacement

Fuse is visible when cover plate and cover insulation are removed. Take out old fuse and replace with fuse of identical rating. Replace insulation and side cover.



**Eastman**machine  
COMPANY



### Traverse Belt Replacement and Falcon Cutter Installation

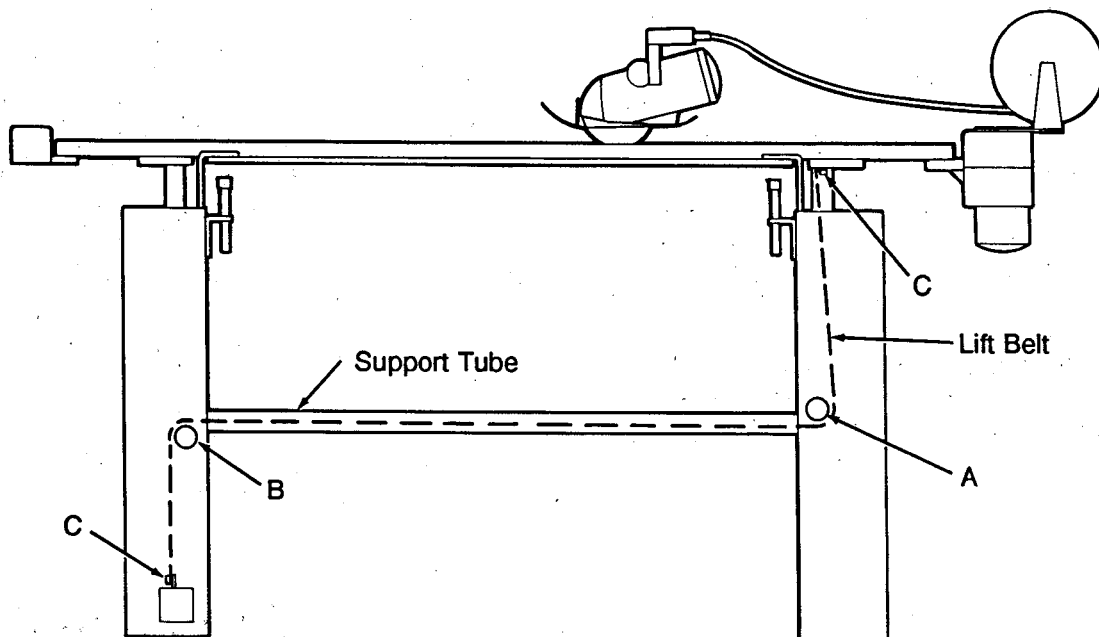
Remove five (5) screws holding clutch cover and pull cover off to expose chain idler. Remove four (4) screws holding idler cover and pull off cover to expose idler pulley. Remove old belt by loosening clamps "A" on cutting machine baseplate and pull belt out thru end of track. Loosen idler support "F" and swing out of way by removing one (1) screw. Remove cord reel adapter plate from gear housing to expose front timing belt gear and idler. DO NOT disconnect wires.

Remove cutter at this time if desired. Insert standard of cutter in track with knife pointing toward rear idler end of track.

Feed new traverse belt thru track from rear with teeth facing up. DO NOT twist belt. Pull belt around drive pulley "D" and under idler pulley "E". Fasten belt at clamp "A" on front of cutter. Reposition idler and fasten in closest position. Feed timing belt around pulley "B" and under pulley "C". Pull tight and cut to proper length and fasten under clamp "A" at rear of cutter. Loosen idler support "F", apply tension and retighten to track.

### Lift Belt Replacement

Remove the front and rear lift covers. Loosen front and rear belt clamps "C" and remove old lift belt. Insert end of lift belt (181C4-7) under front belt clamp "C" and secure. Thread belt under front pulley "A", over pulley "B" and under rear belt clamp. With track sitting on table, pull belt hand tight and secure belt clamps. Replace front and rear lift covers.



## Drive Motor

### CAUTION

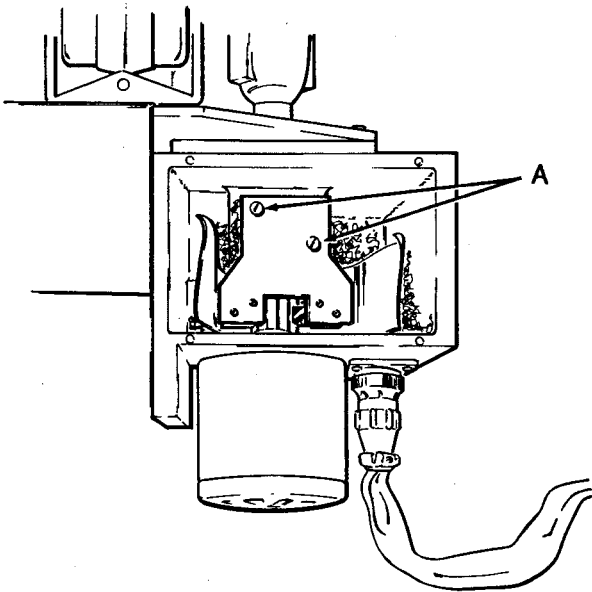
Before performing any of the following procedures, make sure that the attachment plug is disconnected from terminal block on the control box.

### Lubrication of Drive Motor Gear

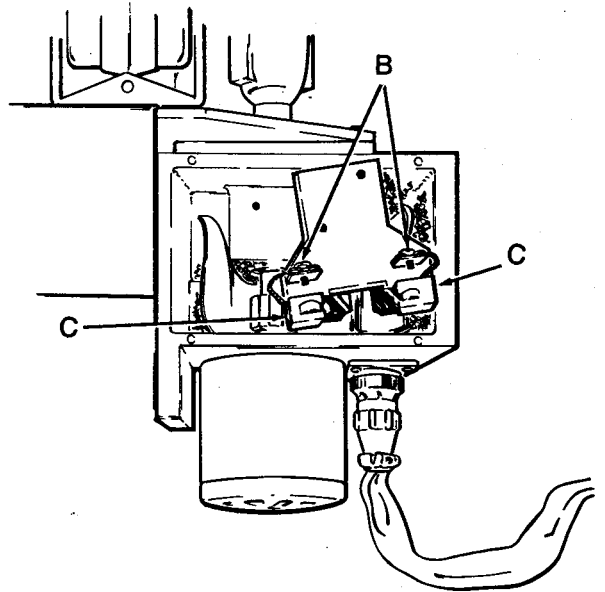
Drive motor worm and gear should be lubricated every three months. Insert grease tube over grease fitting on top of gear housing and squeeze tube until grease comes out of overflow hole at front of housing.

### Drive Motor Brush Replacement

Remove four (4) screws from vented cover and remove cover plate. Unpack insulation material using care not to damage insulation. Remove two (2) screws "A" and lift out brush board. DO NOT disconnect wires. Turn board over, loosen screws "B" and pull motor brush pigtails from under fasteners and brushes out from guides.

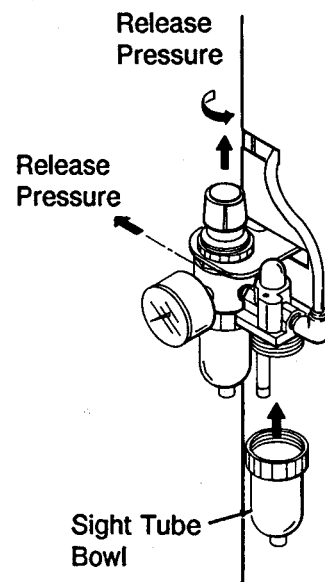


Insert new brushes so that beveled corner at wire pigtail faces slot "C" in brush guide. Brush pigtail runs from slot "C" to screw fastener "B". Wrap pigtail around screw "B" and tighten screw. Turn board back to original position. Spread brushes back enough to slide over commutator and work down into cavity until brushes "snap" over commutator. Secure board with two (2) screws "A" and repack insulation around board. Replace and fasten vented cover with four screws.



### Air Line Lubricator

The pneumatic lift has an in-line lubricator designed to lubricate the air cylinder. Check oil sight tube bowl daily for proper level of lubricant. To fill sight tube bowl disconnect air source or turn air pressure valve off and relieve pressure. Remove sight tube bowl by turning counter-clockwise. Fill sight tube bowl 3/4 full with genuine EASTMAN Air Line Lubricant (242C1-4 pint size). Replace sight tube bowl and air source.



**Eastman**machine  
COMPANY

# Illustrated Parts List

Your Eastman Auto Track Falcon has been carefully designed to provide many hours of trouble free operation. The comprehensive exploded part illustrations have been carefully prepared to enable you to easily order replacement parts, as required. Replacement parts for this machine may be ordered thru your nearest Eastman representative or directly from the Eastman factory.

**IMPORTANT:** Always specify machine model and serial number when ordering parts for faster more efficient service.

**Index**

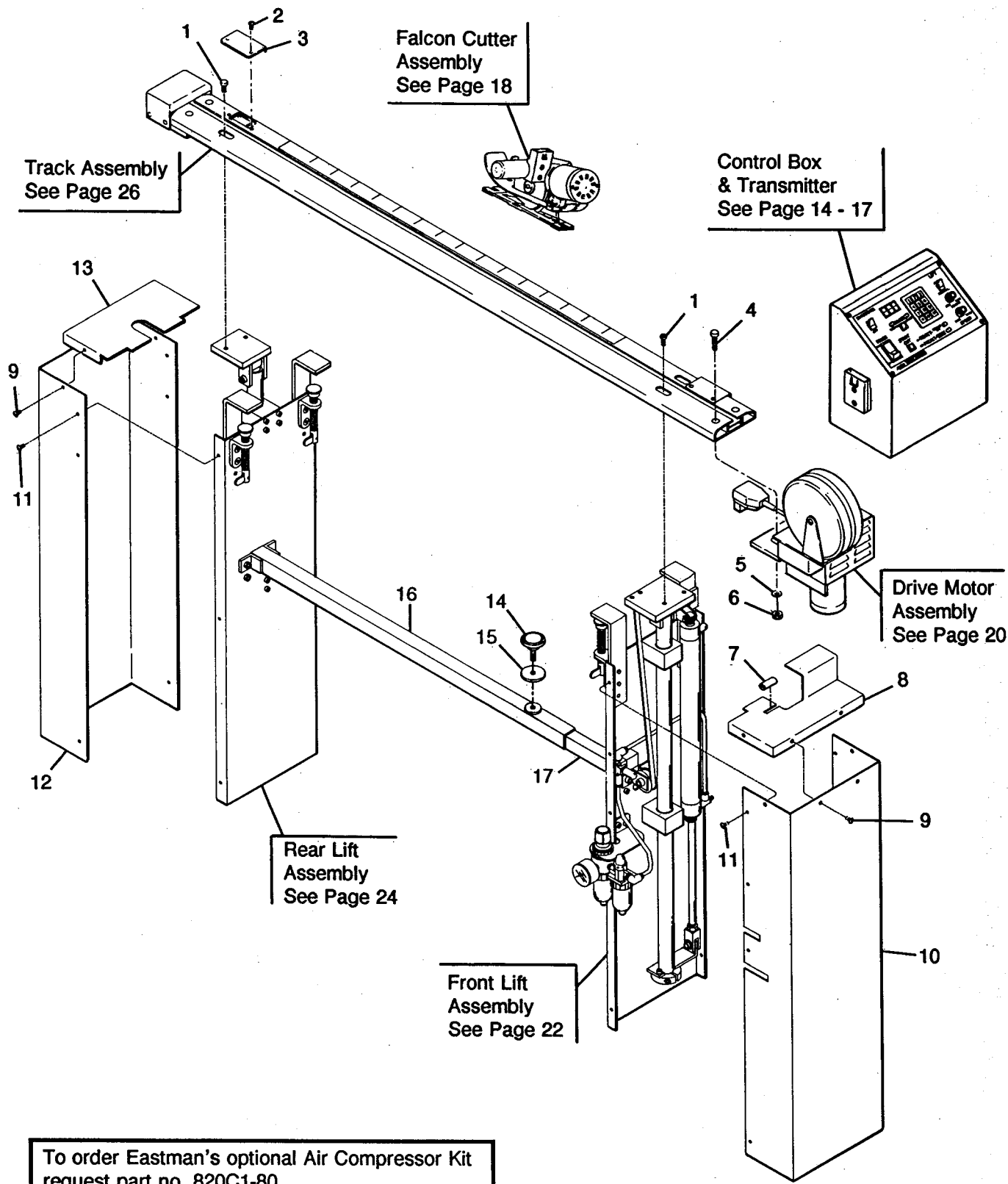
**EXPLODED PARTS ILLUSTRATIONS**

The exploded part illustrations and part lists in this section have been divided into major assemblies as follows:

Pictorial Index .....	Page 12-13
Digital Control Box Assembly .....	Page 14-15
Cut Length Control Box Assembly .....	Page 16-17
Falcon Cutter Assembly .....	Page 18-19
Drive Motor Assembly .....	Page 20-21
Front Lift Assembly .....	Page 22-23
Rear Lift Assembly .....	Page 24-25
Track Assembly .....	Page 26
Non-Lift Track Assembly .....	Page 27

**NOTE:** Please specify model and serial number of machine when ordering parts. Item numbers are for reference only. Please specify PART NUMBERS when ordering replacement parts.

ITEM	PART NO.	DESCRIPTION	QTY.
	305C-10	Screw, Binding Head 1/4-20 x 1/4	
3	53C2-117	Limit Switch Cover	1
4	307C18-4	Screw, Button Head 1/4-20 x 1	2
	203C11-19	Washer, Lock 1/8	
	102-58	Nut, Hex 1/4-20	
	203C11-4	Rubber Grommet	
8	53C11-161	Top Cover, Front	1
9	306C80-201	Screw, Pan Head #8 x 3/8	8
10	53C11-167	Front Cover	1
	300C15-2	Screw, Round Head 1/4-20 x 1/4	
	53C11-162	Rear Cover	
13	53C11-162	Top Cover, Rear	1
14	13C2-19	Knob Assembly	1
15	171C1-23	Locking Ring	1
	326C11-18	Support Tube 1 1/4" Square	
	326C11-17MS	Support Tube 1" Square	



To order Eastman's optional Air Compressor Kit request part no. 820C1-80.

# Digital Control Box

(707C2-12 in.) Box, Digital

(707C2-12 cm.) Box, Digital w/o Remote

(707C2-13 in.) Box, Digital w/Remote (cm.)

(707C2-14 cm.) Box, Digital w/Remote (inches.)

## Illustrated Parts List

Old Style Remote Replacement Kit #8204-3

Item #1 New Receiver Board #830C1-87

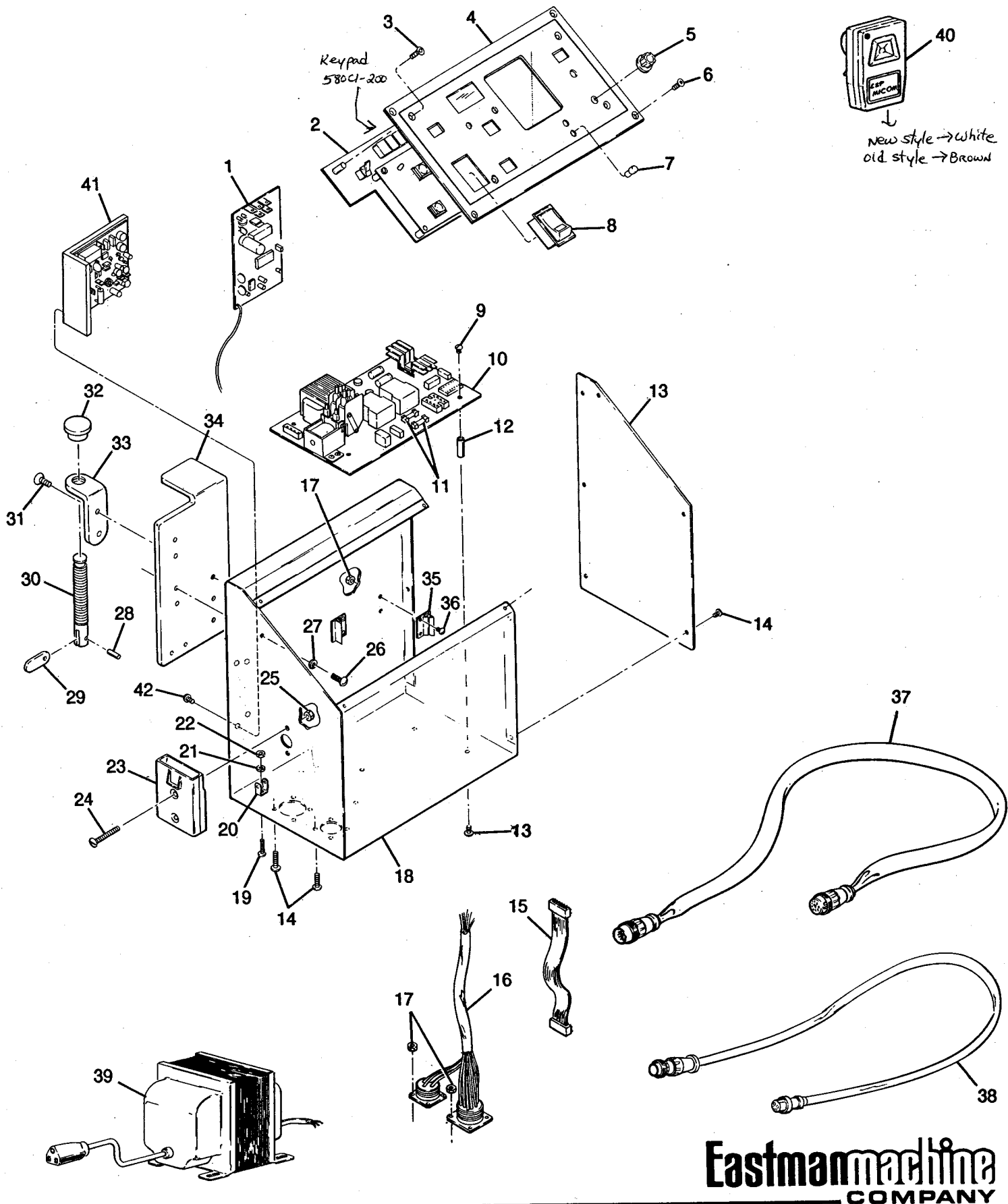
Item #40 New Transmitter (Remote) #273C1-2

ITEM	PART NO.	DESCRIPTION	QTY.
	830C1-82	Power Board Assembly	1
	262C1-19	Fuse, 3.15 Amp.	2
	55C4-152	Spacer, Standoff	5
4	276C2-39	Panel, Digital Control Box	1
5	13C2-18	Knob, Adjust	2
6	320C10-3	Screw, Flat Head 6-32 x 1/2	4
10	830C1-82	Power Board Assembly	1
11	262C1-19	Fuse, 3.15 Amp.	2
12	55C4-152	Spacer, Standoff	5
15	797C1-3	Jumper Ribbon Cable	1
16	660C3-186	Harness Complete, Control Box	1
17	4C2-82	Hex Nut, 6-32	8
20	47C4-77	Tab, Grounding	1
21	12C1-31	Washer, Lock	1
22	4C2-106	Hex Nut, 4-40	1
23	508C1-102	Terminal Block, 10 V	1
24	302C15-3	Screw, Flat Head	1

ITEM	PART NO.	DESCRIPTION	QTY.
25	102-31	Hex Nut, 10-32	2
26	300C15-3	Screw, Round Head 10-32 x 3/8	2
27	12C1-49	Washer, Lock #10	2
28	17C15-126	Roll Pin	1
29	57C7-49	Clamp Screw Lever	1
30	200C5-22	Clamp, Screw	1
31	302C15-2	Screw, Flat Head 14-20 x 1/2	2
32	727C2	Swivel Pad with Setscrew	1
33	50C11-34	Clamp Base	1
34	79C12-321	Support Plate	1
35	80C10-58	Fold Down PC Board	2
36	300C10-2	Screw, Round Head 5-12 x 1/4	4
37	783C1-7	Drive Cord Assembly	1
38	783C1-11	Air Lift Cord Assembly	1
39	130C1-9	Transformer, 220v only (optional)	1
40	273C1-1	Remote Transmitter (optional)	1
41	830C1-80	Motor Speed Controller	1
42	200C12-178	Screw, 10-32 x 1/4 Round Head	4

**NOTE:**

Please specify model and serial number of machine when ordering parts.  
 Item numbers are for reference only.  
 Please specify PART NUMBERS when ordering replacement parts.



**Eastman**machine  
COMPANY

# Cut Length Control Box New style Remote Replacement Kit #820C4-3

Item #10 New Remote (Transmitter) # 273C1-2  
 Item #39 New Receiver Board # 830C1-87

## Illustrated Parts List

ITEM	PART NO.	DESCRIPTION	QTY.
1	28C1-26	Potentiometer, Lift Height	1
2	25C1-2	Timer, Lift Height	1
3	28C1-13	Potentiometer, Speed	1
4	276C2-26	Cover Plate, Control Box	1
5	236C1-110	Label, Remote	1
6	236C1-118	Label, Length Cut	1
7	580C1-132	Switch, Lift	1
8	580C1-162	Digital Switch	1
9	300C5-2	Screw, Round Head 3-48 x 7/8	1
10	273C1-1	Remote Transmitter (Optional)	1
11	580C1-145	Switch, Illuminating	2
12	194C1-5	Counter	1
13	302C10-7	Screw, Flat Head 6-32 x 5/8	2
14	13C2-14	Knob	1
15	580C1-163	Push Switch, Green	1
16	13C2-10	Knob	1
17	33C11-1	Holder, Fuse	2
18	262C1-16	Fuse, 110V-3A	2
19	306C80-203	Screw, Special	1
20	48C4-54	Wire, 18 AWG, Black	A/R
21	77C3-24	Terminal, Quick Connect, 1/4	10
22	47C4-65	Terminal, Quick Connect, 3/16	9
23	727C2-49	Swivel Pad With Setscrew	1
24	20C5-22	Clamp Screw	1
25	57C7-49	Clamp Screw, Level	1
26	77C15-126	Roll Pin	1
27	50C11-34	Clamp Base	1
28	302C18-2	Screw, Flat Head 1/4-20 x 1/2	2
29	79C12-321	Support Plate, Rear (110V only)	1
30	308C15-3	Screw, Socket Head 10-32 x 3/8	2

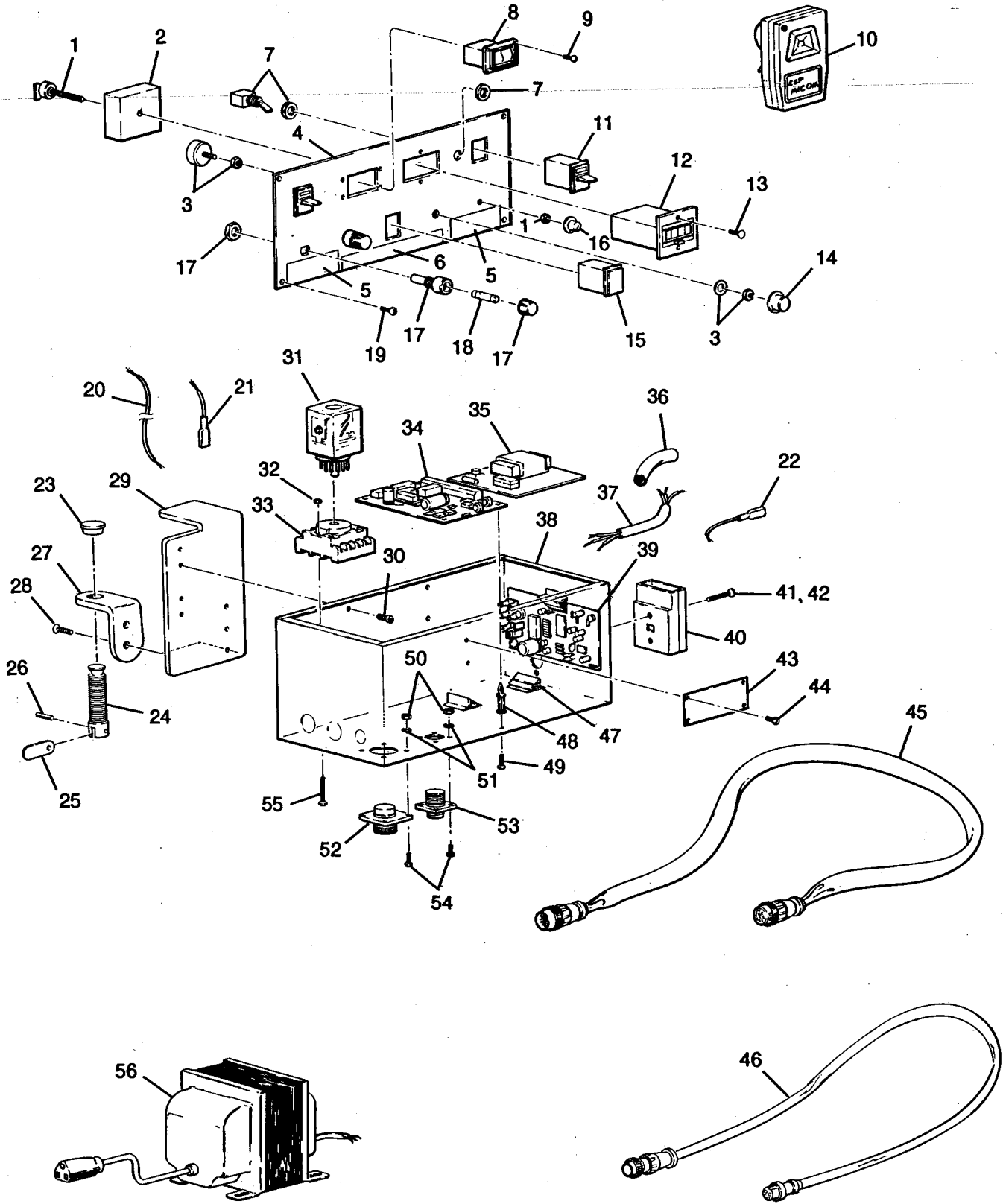
ITEM	PART NO.	DESCRIPTION	QTY.
31	693C1-17	Relay	1
32	4C2-18	Hex Nut, 4-32	2
33	75C4-3	Relay Base	1
34	830C1-43	Control Board	1
35	830C1-45	Control Board, Power Supply	1
36	73C7-186	Tubing, Vinyl	A/R
37	75C2-15	Ground Cord	A/R
38	182C1-7	Box Control	1
39	830C1-42	Control Board, Remote	1
40	508C1-102	Terminal Block	1
41	302C15-8	Screw, Flat Head 10-32 x 1 1/8	2
42	4C2-91	Hex Nut, 10-32	2
43	79C2-13	Plate, Name	1
44	20C13-42	Screw, Self Tapping 4 x 1/4	4
45	783C1-7	Drive Cord Assembly, Large	1
46	783C1-9	Lift Cord Assembly, Small	1
47	33C10-68	Hold Down For P.C. Boards	4
48	55C4-141	Standoff For P.C. Board	4
49	306C85-202	Screw, Pan Head 6 x 5/16	4
50	1C2-106	Hex Nut, 1-40	1
51	72C1-31	Internal Tooth Lockwasher, 1/4	4
52	757C1-1	Recepticle, Large	1
53	660C3-173	Recepticle, Small	1
54	300C8-1	Screw, Round Head 4-40 x 3/8	4
55	300C12-10	Screw, Round Head 8-32 x 1 1/4	2
56	136C1-9	Transformer, 220V only, (Optional)	1

A/R - As Required

**NOTE:** Please specify model and serial number of machine when ordering parts.  
 Item numbers are for reference only.  
 Please specify PART NUMBERS when ordering replacement parts.



707C2-1 w/o Brackets  
707C2-2 w/Brackets



**Eastman**machine  
COMPANY

# Falcon Cutter

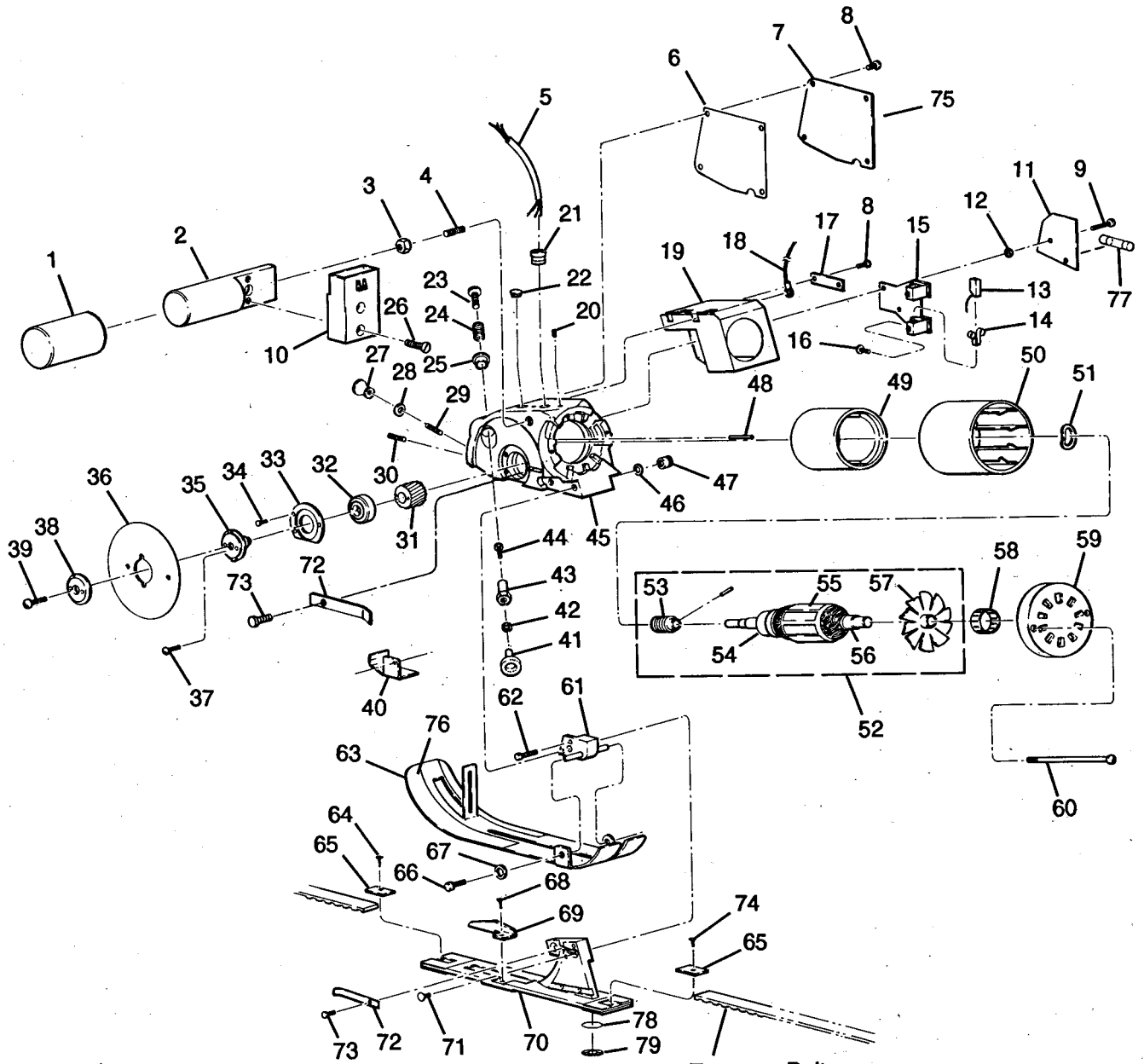
## Illustrated Parts List

ITEM	PART NO.	DESCRIPTION	QTY.
1	33C1-15	Cover For Counterweight	1
2	36C1-27	Counterweight	1
3	102-141	Hex Jam Nut 5/16-18	1
4	15C13-65	Stud for Counterweight	1
5	145C2-8	Cord, Special, 18.3 Wire 10"	1
6	8C15-4	Cover, Insulation	1
7	30C2-13	Side Cover	1
8	30C3-1	Screw, Binding Head 4-40 x 1/2	2
9	30C3-2	Screw, Round Head 4-40 x 1/2	2
10	508C1-102	Terminal Block	1
11	830C1-6	Circuit Board	1
12	4C1-198	Nut, Hex 4-40	2
13	783C1-3	Motor Brush	2
14	810-13-124	Brush Spring	2
15	810-1-7	Brush Spring Assembly	2
16	20C13-103	U-Lock Screw	2
17	50C7-27	Cord Clamp	1
18	783C1-3	Ground Wire Assembly	1
19	30C1-15	Cavity Insulation	1
20	39C1-22	Sealscrew, 10-32 x 1/4	1
21	21C1-5	Bushing, Strain Relief	1
22	54C4-44	Plug	1
23	20C12-160	Sharpener Screw	1
24	34C10-158	Sharpener Spring	1
25	21C1-5	Sharpener Bushing	1
26	30C1-15	Screw, Flat Head 10-32 x 1/8	2
27	20C7-21	Clamp Screw	1
28	12C15-95	Washer, Flat #6	2
29	309C10-3	Setscrew, 6-32 x 1/2	1
30	20C13-56	Setscrew, 6-32 x 3/4	1
31	37C1-40	Knife Gear	1
32	90C6-53	Ball Bearing, Knife Flange	1
33	79C12-236	Bearing Retainer Plate	1
34	302C8-1	Screw, Flat Head 4-40 x 3/8	3
35	83C4-26	Knife Flange	1
36	80C1-141	4" Knife, Carbon	1
37	30C1-15	Screw, Fillister Head 3-18 x 3/4	2
38	53C1-107	Knife Flange Cover	1

ITEM	PART NO.	DESCRIPTION	QTY.
39	30C1-15	Screw, Round Head 10-32 x 3/8	1
40	53C1-125	Cover, Switch Hole	1
41	331C1-17	Emergency Wheel	1
42	12C15-57	Spring Washer	1
43	21C5-5	Sharpener Bushing, Hex	1
44	301C10-9	Screw, Fillister 6-32 x 3/16	1
45	328-1-11	Housing With Cover Assembly	1
46	12C1-9	Lock Washer	2
47	10C1-197	Nut, 10-32 Allen	2
48	17C15-133	Roll Pin	2
49	829C1-3	Magnet Ring	1
50	61C2	Motor Shell	1
51	12C15-106	Spring Washer	1
52	32C1-109	Armature Assembly	1
53	89C1-45	Normal Lead	1
54	90C6-48	Ball Bearing, Front	1
55	190C1-5	Armature, 110V	1
56	90C6-50	Ball Bearing, Rear	1
57	10C1-47	Motor Fan	1
58	130C1-74	Tolerance Ring	1
59	20C1-155	Bearing Housing	1
60	20C3-31	Tie Rod Screw	2
61	833C6-3	Bracket Ass'y, Pressure Foot	1
62	308C10-2	Screw, Socket Head 6-32 x 1/2	2
63	33C1-17	Pressure Foot	1
64	107C10-1	Screw, Button Head 6-32 x 1/4	1
65	90C12-319	Plate, Belt Clamp	2
66	300C12-2	Screw, Round Head 8-32 x 1/4	2
67	12C1-21	Washer, Internal Tooth Locking	2
68	305C8-4	Screw, Binding Head 4-40 x 1/8	1
69	26C1-28	Shear Plate With Blank	1
70	505C2-103	Base Plate Assembly	1
71	302C15-19	Screw, Socket Head 10-32 x 1	2
72	79C12-317	Lint Deflector	1
73	305C8-4	Screw, Binding Head 4-40 x 1/8	1
74	308C10-8	Screw, Socket Head 6-32 x 1/4	1
75	236C1-110	Label, Caution	1
76	211C1-12	Tape, Warning Orange	1
77	262C1-16	Fuse, 110V <i>2amp (220v 1.5amp)</i>	1
78	115C1-15	Wear Disc	4
79	90C4-81	Bearing	4

**NOTE:** Please specify model and serial number of machine when ordering parts.  
Item numbers are for reference only.  
Please specify PART NUMBERS when ordering replacement parts.

110v 3amp  
220v 1.5amp



Conversion Kit to  
New Bearing skate: 820C1-103  
Skate Only: 505C2-103

Traverse Belt  
181C4-10

**Eastman** machine  
COMPANY

# Drive Motor

#826C1-13 without cord reel

## Illustrated Parts List

ITEM	PART NO.	DESCRIPTION	QTY.
1	75C1-1	Cord Reel Assembly	1
2	300C14-1	Screw, Round Head 10-24 x 1/2	2
3	12C1-20	Washer, External Tooth #10	2
4	300C15-4	Screw, Round Head 10-32 x 1/2	1
5	401-149	Nut, Elastic 10-32	1
6	12C15-19	Washer, Flat	1
7	260C3-1	Grease Fitting	1
8	21C14	Plug, Strain Relief	1
9	660C3-172	Plug, 3 Prong Socket	1
10	308C10-2	Screw, Socket Head Cap 6-32 x 1/2	3
11	29C6-183	Cord Reel Adapter	1
12	20C13-11	Grounding Screw	1
13	8013-86	Insulator	1
14	236C1-110	Label, Remote Operator	1
15	660C3-173	4 Pin Header	1
16	122C1-29	Gear Housing	1
17	20C13-103	Hexag Screw	2
18	830C1-1	Brush Board Assembly	1
19	300C3-1	Screw, Round Head 8-08 x 1/4	2
20	708C1-16	Motor Brush with Spring	2
21	34C10-172	Brush Spring	2
22	305C10-5	Screw, Binding Head 6-32 x 3/16	4
23	53C11-145	Vented Cover	1
24	20C3-31	Tie Rod Screw	2
25	90C1-65	Bearing Housing Cover	1
26	18C6-74	Tolerance Ring	1
27	90C6-50	Bearing	1
28	10C1-47	Motor Fan	1
29	758C1-1	16 Pin Header	1
30	305C10-5	Screw, Binding Head 6-32 x 3/16	4
31	783C1-7	Harness Assembly	1
32	190C1-5	Armature	1
33	90C6-48	Bearing	1
34	87C7-46	Worm, 2 Lead	1
35	17C15-138	Roll Pin	1

ITEM	PART NO.	DESCRIPTION	QTY.
36	12C15-106	Spring Washer	1
37	51C2	Motor Shell	1
38	829C1-3	Magnet Ring Assembly	1
39	53C11-146	Disc Cover	1
40	300C15-2	Screw, Round Head 10-32 x 1/4	2
41	52C16-302	Encoder Bracket	1
42	660C3-157	Encoder Harness	1
43	300C8-4	Screw, Round Head 4-10 x 1/4	4
44	21C14-15	Bearing Locator	1
45	18C6-35	Retaining Ring	1
46	90C6-42	Bearing	1
47	52C1-24	Idler Pulley	1
48	308C10-5	Screw, Socket Head Cap 6-32 x 1/2	1
49	308C15-1	Screw, Socket Head Cap 10-32 x 5/8	1
50	21C13-17	Bushing	1
51	87C7-51	Worm Gear	1
52	90C6-53	Bearing	1
53	11C12-125	Gear Shaft	1
54	79C12-314	Bearing Retainer Plate	1
55	300C12-6	Screw, Round Head 8-32 x 1/2	2
56	309C12-1	Setscrew, 8-32 x 3/16	2
57	52C1-43	Timing Belt Pulley	1
58	115C1-14	Counter Disc	1
59	4C2-110	Nut, Elastic Stop 8-32	1
60	181C4-10	Traverse Belt (see note)	1

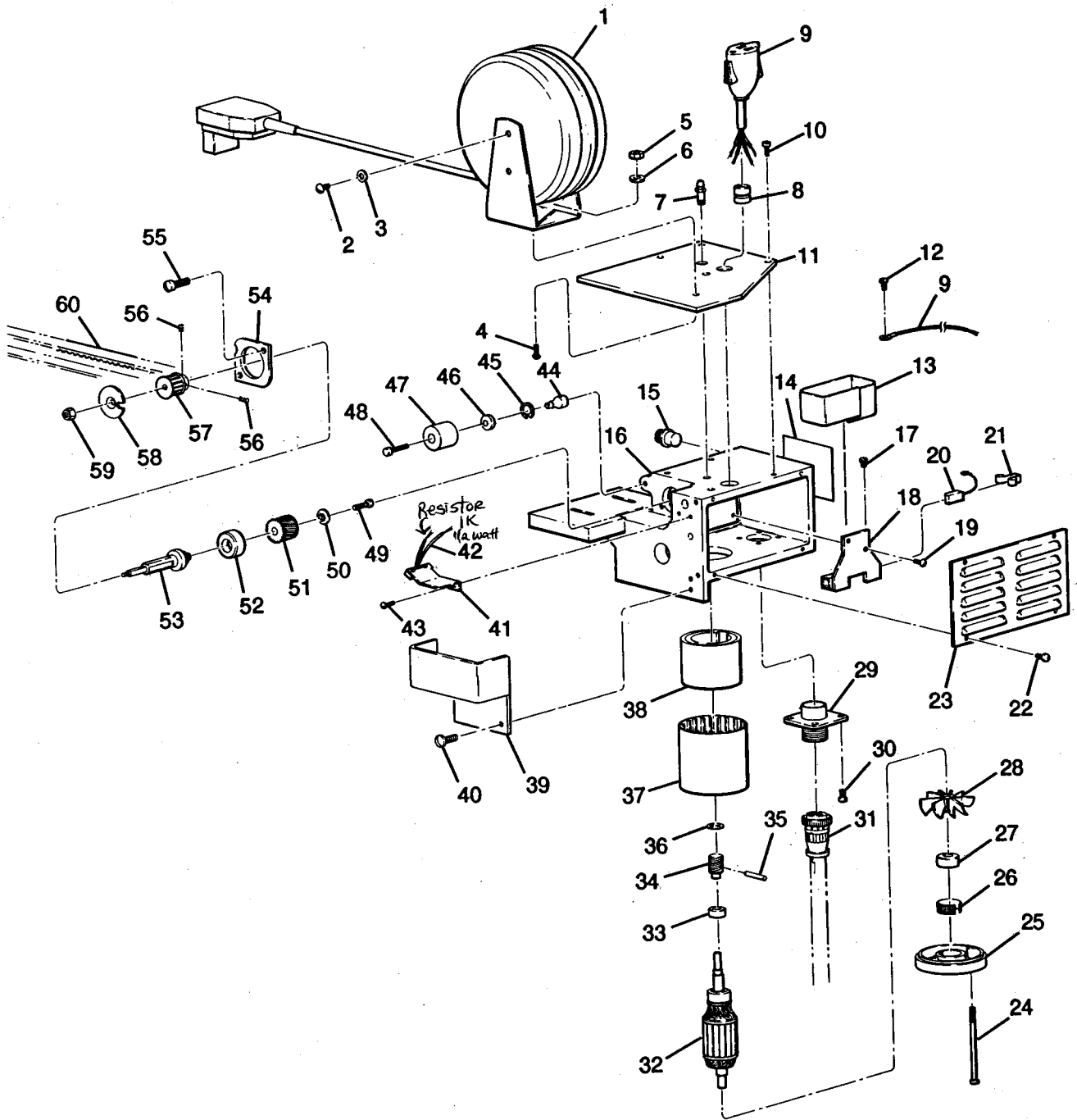
**NOTE:** Please specify model and serial number of machine when ordering parts. Item numbers are for reference only. Please specify PART NUMBERS when ordering replacement parts.

68" Table = 177" = 15 ft  
72" Table = 185" = 16 ft  
78" Table = 197" = 17 ft.

Traverse Belt Length:  $\text{Table size} + 17\frac{1}{2}" \times 2 + 6"$   
(or)  $\text{Overall Track size} \times 2 + 6"$   
(added to weak with)

Clean commutator if machine has erratic length movement.

Note: See Page 10 For Traverse Belt Threading Diagram.



**Eastman** machine  
COMPANY

# Front Lift Assembly #840C1-5

## Illustrated Parts List

ITEM	PART NO.	DESCRIPTION	QTY.
1	727C2	Swivel Pad with Setscrew	2
2	50C11-34	Clamp Base	2
3	802C18-3	Screw, Flat Head 1/4-20 x 3/4	4
4	20C5-22	Clamp Screw	2
5	17C15-126	Roll Pin	2
6	57C7-49	Clamp Screw Lever	2
7	308C15-2	Screw, Socket Head Cap 10-32 x 1/2	8
8	12C1-49	Washer, Lock #10	8
9	12C15-14	Washer, Flat #10	8
10	62C16-308	Hanger Bracket	1
11	833C6-6	Cylinder Hanger Bracket	1
12	47C5-1	Terminal Strip	1
13	801C10-4	Screw, Fillister Head 6-32 x 1/2	2
14	758C1-3	4 Pin Header	1
15	826C1-17-MS	Support Tube	1
16	12C1-19	Washer, Lock 1/4	6
17	4C2-58	Nut, Hex 1/4-20	4
18	12C15-108	Washer, Flat 1/4	4
19	308C18-9	Screw, Socket Head 1/4-20 x 1/2	2
20	79C12-405	Front Main Plate	1
21	311C14-3	Screw, Shoulder Socket 5/16 x 1	1
22	12C15-97	Washer, Flat 5/16	3
23	62C16-314	Pulley Bracket	2
24	308C18-9	Screw, Socket Head Cap 1/4-20 x 1/2	2
25	152C1-41	Pulley	1
26	12C15-108	Washer, Flat 1/4	1
27	12C1-19	Washer, Lock 1/4	2
28	4C2-58	Nut, Hex 1/4-20	3
29	181C4-7	Nylon Lift Belt	1
30	833C2-5	Front Lift Bracket	1

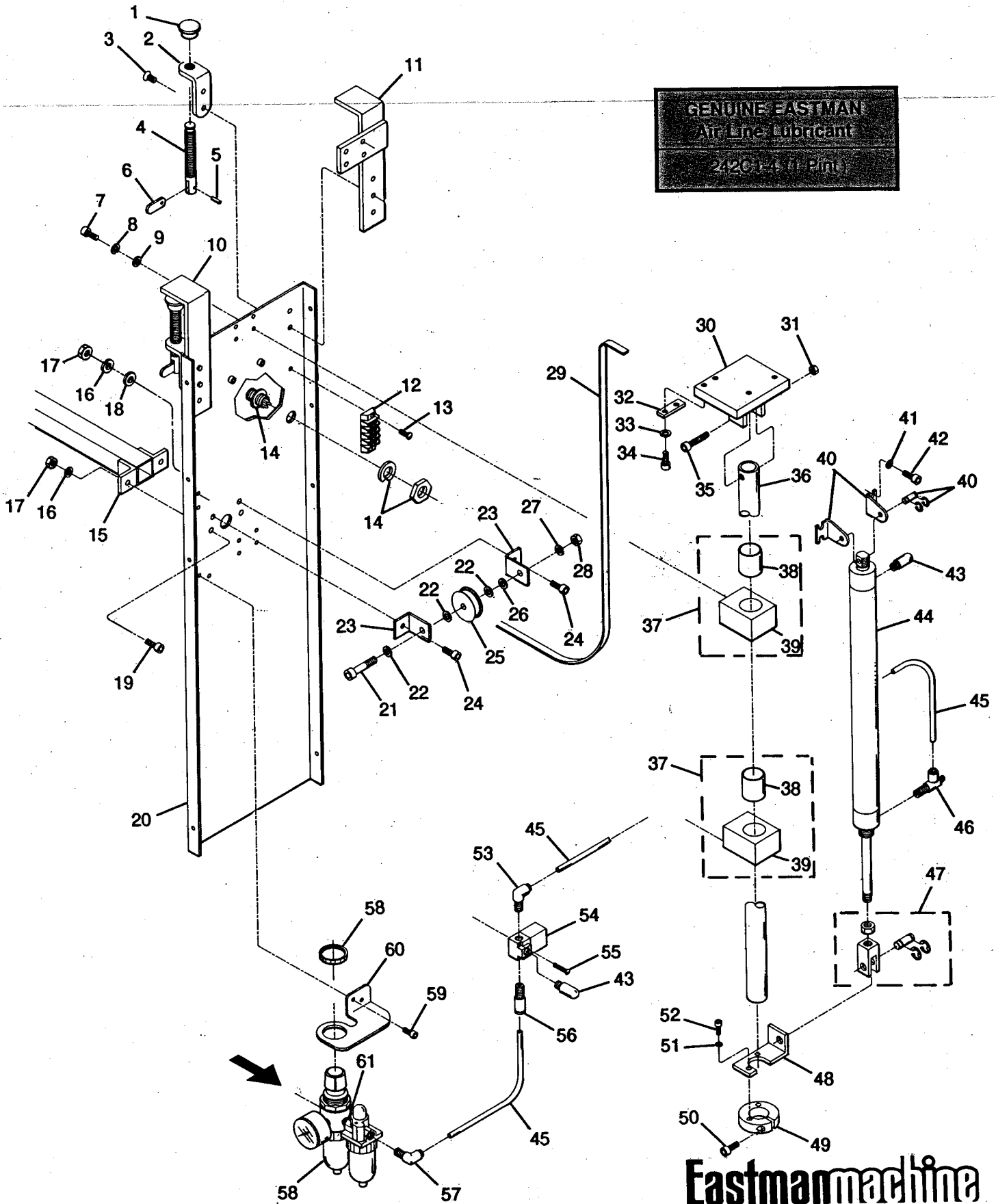
ITEM	PART NO.	DESCRIPTION	QTY.
31	4C2-58	Nut, Hex 1/4-20	1
32	50C11-40	Belt Clamp	1
33	12C15-14	Washer, Flat #10	2
34	308C15-2	Screw, Socket Head Cap 10-32 x 1/2	2
35	311C14-4	Screw, Shoulder Socket 5/16 x 1 1/4	1
36	70C4-57	Guide Tube	1
37	658C1-6	Front Bearing Assembly	2
38	21C14-24	Bushing	1
39	46C3-43	Bearing Block	1
40	275C4-1	Pivot Bracket with Pin & Clips	1
41	12C1-19	Washer, Lock 1/4	4
42	308C18-9	Screw, Socket Head Cap 1/4-20 x 1/2	4
43	251C3-2	Speed Control Muffler	2
44	275C1-1	Pneumatic Cylinder	1
45	0C20-1 (7)	Tubing, 1/4 O.D.	1
46	251C3-4	Speed Control Valve	1
47	275C4-2	Rod Clevis Assembly	1
48	62C16-312	Collar Bracket, Front	1
49	5C5-25	Clamping Collar	1
50	308C20-1	Screw, Socket Head Cap 1/4-28 x 5/8	1
51	12C1-21	Washer, Lock #8	2
52	308C12-2	Screw, Socket Head Cap 8-32 x 1/2	2
53	260C2-3	Elbow, 1/8 NPT-1/4	1
54	112C2-2	Valve w/ Solenoid	1
55	300C10-10	Screw, Round Head 6-32 x 1	2
56	260C2-6	Straight Adapter, 1/8 NPT-1/4	1
57	260C2-2	Elbow, 1/4 NPT-1/4	1
58	253C2-3	Regulator/Lubricator & Gauge	1
59	308C15-3	Screw, Socket Head Cap 10-32 x 3/8	2
60	62C16-316	Mounting Bracket	1
61	260C2-8	Male Pipe Nipple	Ref

MS - Table Width

**NOTE:** Please specify model and serial number of machine when ordering parts.  
Item numbers are for reference only.  
Please specify PART NUMBERS when ordering replacement parts.

Lift Belt Length: Table size + 48" (Not Track size)

GENUINE EASTMAN  
Air Line Lubricant  
2420-1-1 (1 Pint)



**Eastman** machine  
COMPANY

# Rear Lift Assembly #840C1-6

## Illustrated Parts List

ITEM	PART NO.	DESCRIPTION	QTY.
1	833C2-5	Rear Lift Bracket	1
2	77C1-71	Connecting Link	2
3	311C14-3	Screw, Shoulder Socket 5/16 x 1 1/4	2
4	4C2-58	Nut, Hex 1/4-20	2
5	658C1-7	Rear Bearing Assembly	2
6	21C14-21	Bushing	1
7	1603-43	Bearing Block	1
8	70C1-57	Guide Tube	1
9	5C5-26	Clamping Collar (Rear)	1
10	308C20-1	Screw, Socket Head Cap 1/4-28 x 5/8	1
11	136C1-33	Weight, Rear	1
12	308C15-3	Screw, Socket Head Cap 10-32 x 3/8	2
13	50C11-40	Clamp Belt	1
14	181C4-7-MS	Nylon Lift Belt	1
15	308C15-7	Screw, Socket Head Cap 10-32 x 1 1/4	2
16	12C1-49	Washer, Lock #10	2
17	12C15-14	Washer, Flat #10	2
18	62C16-313	Collar Bracket	1
19	311C14-3	Screw, Shoulder Socket 5/16 x 1	1
20	12C15-97	Washer, Flat 5/16	3

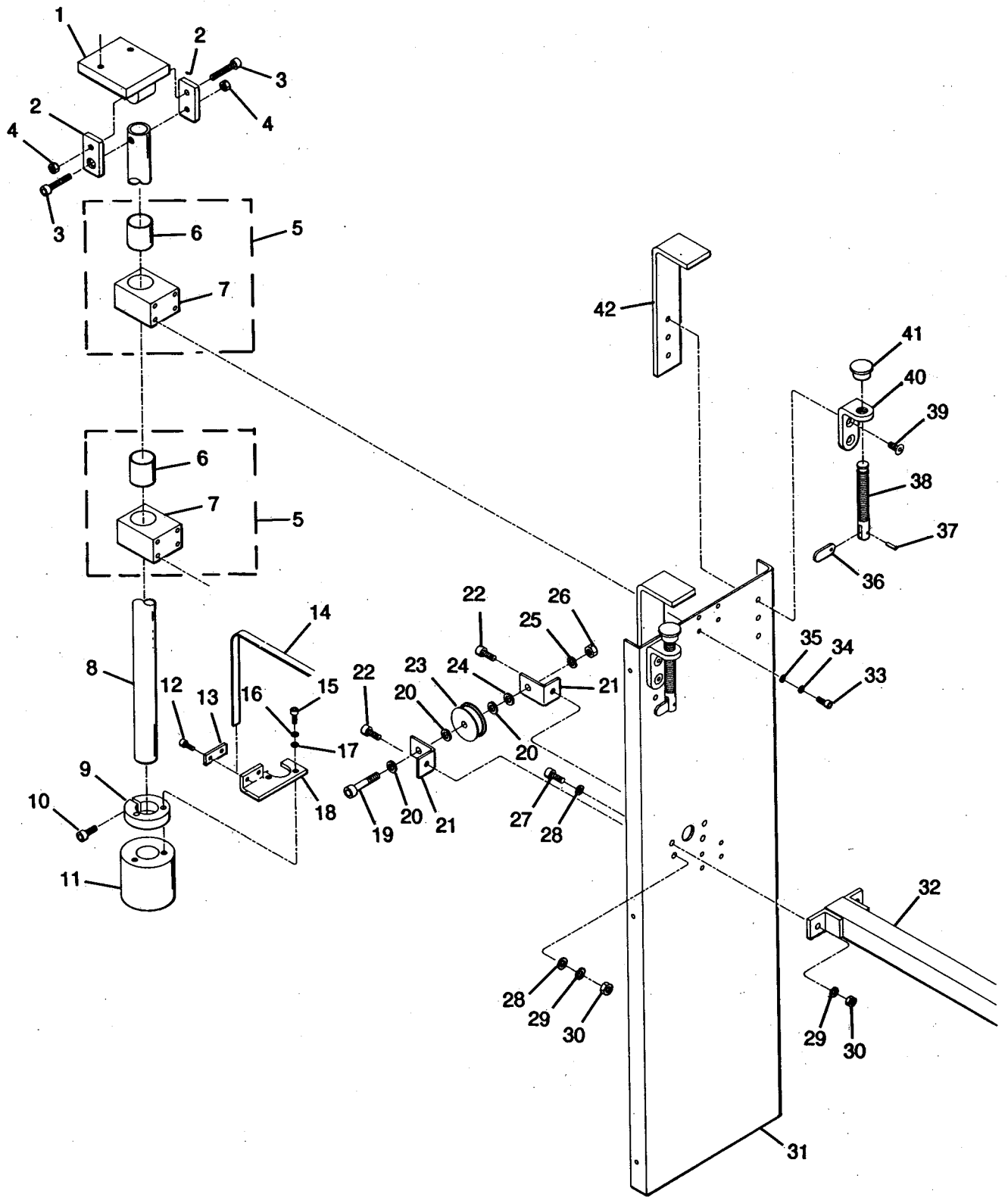
ITEM	PART NO.	DESCRIPTION	QTY.
21	62C16-314	Pulley Bracket	2
22	308C18-9	Screw, Socket Head Cap 1/4-20 x 1/2	2
23	152C1-41	Pulley	1
24	12C15-108	Washer, Flat 1/4	1
25	12C1-19	Washer, Lock 1/4	3
26	4C2-58	Nut, Hex 1/4-20	5
27	308C18-9	Screw, Socket Head Cap 1/4-20 x 1/2	2
28	12C15-108	Washer, Flat 1/4	4
29	12C1-19	Washer, Lock 1/4	4
30	4C2-58	Nut, Hex 1/4-20	4
31	79C12-406	Rear Main Plate	1
32	626C1-18-MS	Support Tube	1
33	308C15-2	Screw, Socket Head Cap 10-32 x 1/2	8
34	12C1-49	Washer, Lock #10	8
35	12C15-14	Washer, Flat #10	8
36	57C7-49	Clamp Screw Lever	2
37	17C15-126	Roll Pin	2
38	20C5-22	Clamp Screw	2
39	302C18-2	Screw, Flat Head 1/4-20 x 1/2	4
40	50C11-34	Clamp Base	2
41	727C2	Swivel Pad with Setscrew	2
42	62C16-308	Hanging Bracket	2

MS - Table Width

**NOE**

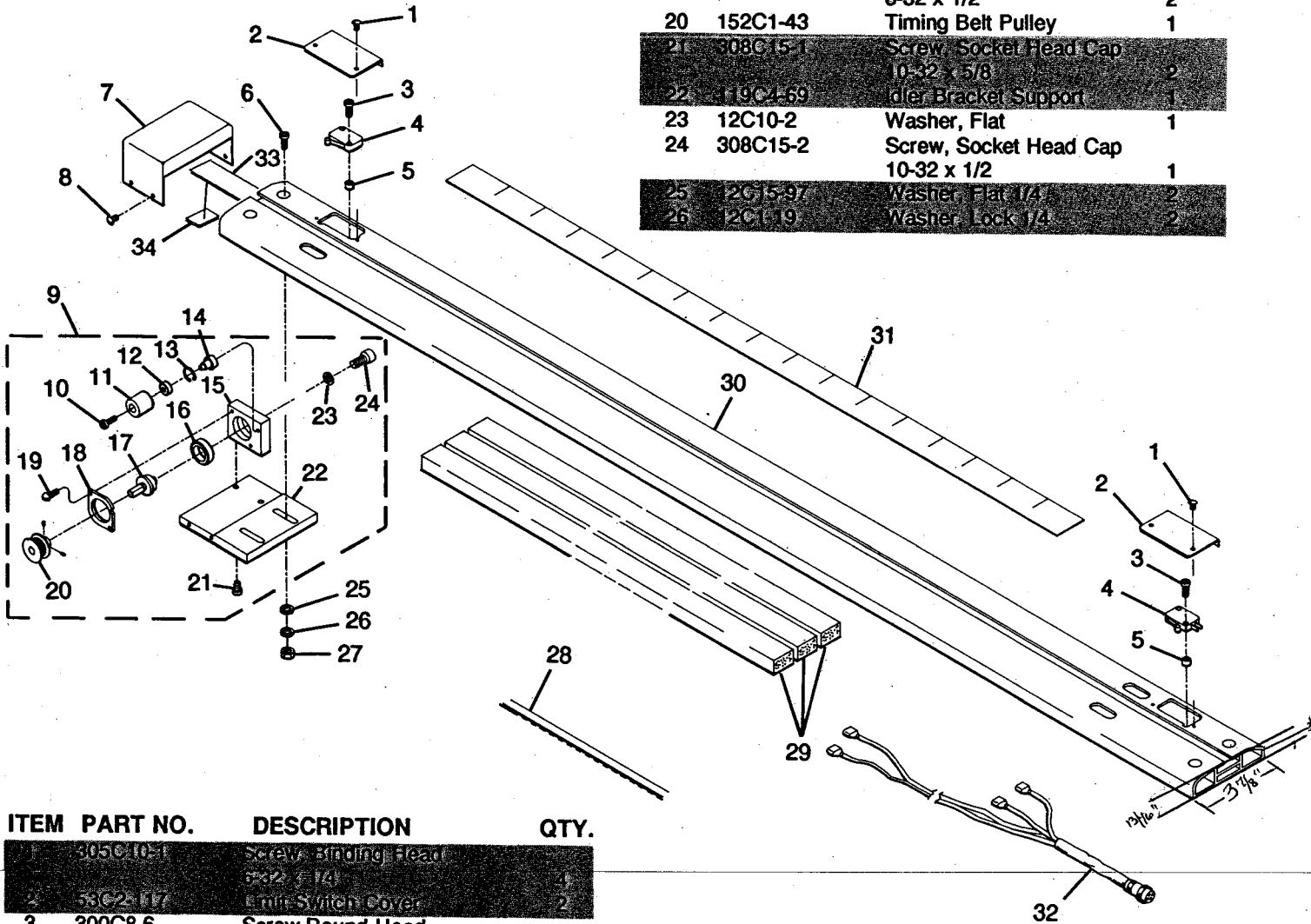
Please specify model and serial number of machine when ordering parts.  
Item numbers are for reference only.  
Please specify PART NUMBERS when ordering replacement parts.





**Eastman** machine  
COMPANY

# Track Assembly Illustrated Parts List



ITEM	PART NO.	DESCRIPTION	QTY.
16	90C6-53	Bearing	1
17	11C12-126	Idler Shaft	1
18	79C12-314	Retainer Plate	1
19	300C12-6	Screw, Round Head 8-32 x 1/2	2
20	152C1-43	Timing Belt Pulley	1
21	308C15-1	Screw, Socket Head Cap 10-32 x 5/8	2
22	119C4-69	Idler Bracket Support	1
23	12C10-2	Washer, Flat	1
24	308C15-2	Screw, Socket Head Cap 10-32 x 1/2	1
25	12C15-97	Washer, Flat 1/4	2
26	12C15-9	Washer, Lock 1/4	2

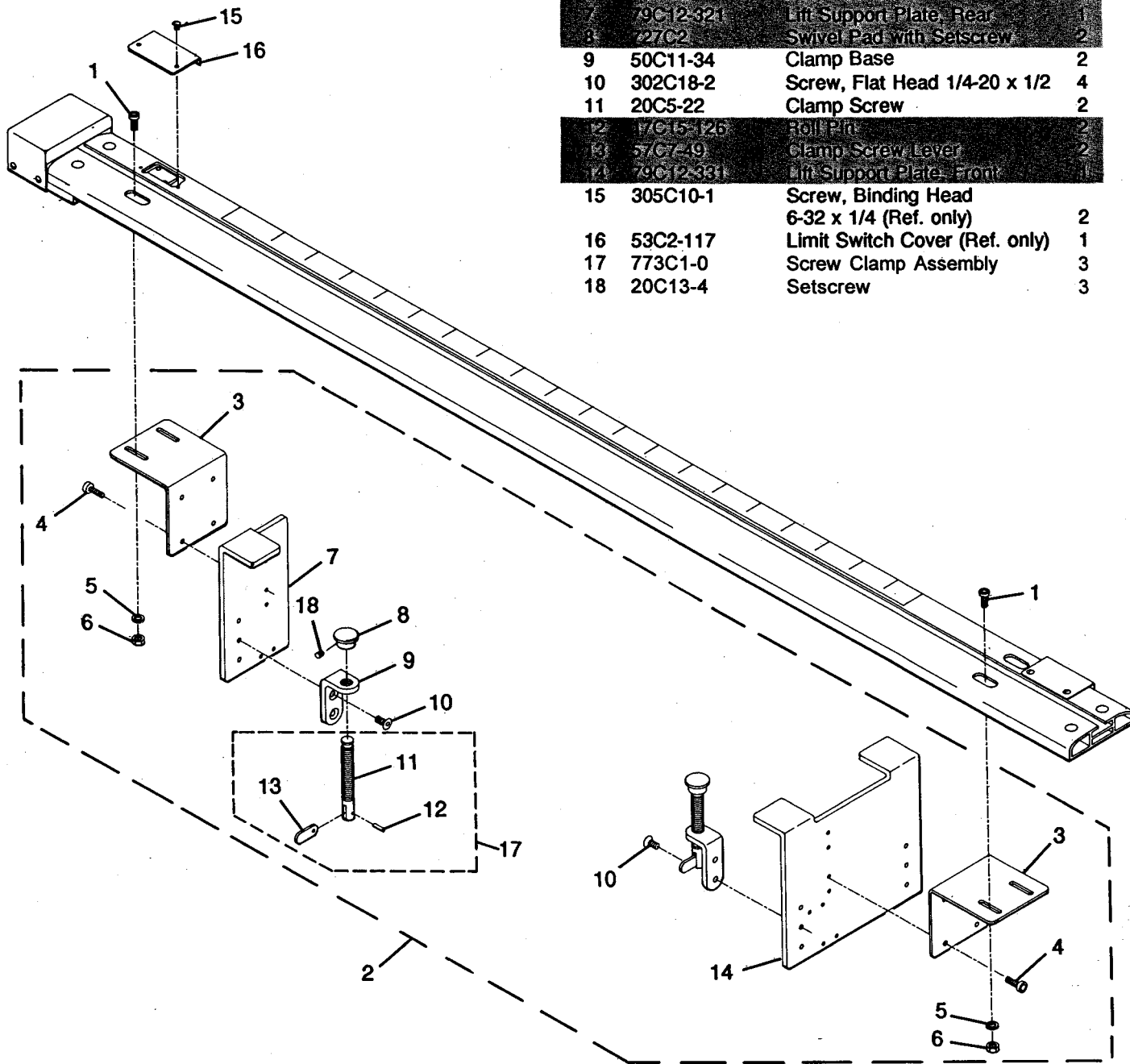
ITEM	PART NO.	DESCRIPTION	QTY.
1	305C10-1	Screw, Binding Head 6-32 x 1/4	4
2	53C2-117	Limit Switch Cover	2
3	300C8-6	Screw, Round Head 4-40 x 3/4	4
4	580C1-161	Microswitch	2
5	55C4-77	Spacer	4
6	307C13-4	Screw, Button Head 1/4-20 x 1	2
7	53C11-147	Idler Cover	1
8	305C10-5	Screw, Binding Head 6-32 x 3/16	8
9	833C3-1	Idler Block Assembly	1
10	308C10-5	Screw, Socket Head Cap 6-32 x 1	1
11	152C1-44	Pulley Idler	1
12	90C6-42	Bearing	1
13	18C6-35	Retaining Ring	1
14	21C14-15	Bearing Locator	1
15	62C16-286	Bracket, Idler	1

ITEM	PART NO.	DESCRIPTION	QTY.
27	4C2-58	Nut, Hex 1/4-20	2
28	181C4-10-MS	Traverse Belt	1
29	211C1-2-MS	Foam Tape, (Lift Type Only)	3
30	193C1-26-MS	Track	1
31	185C1-239	Scale, Inches	1
	185C1-240	Scale, Centimeters	1
	185C1-236	Scale, Cut Length Units	1
32	660C3-149	Track Wing Harness Ass'y	1
33	113C3-16	Wear Strip	1
34	211C1-18	Grip tape	2

MS - Machine Size

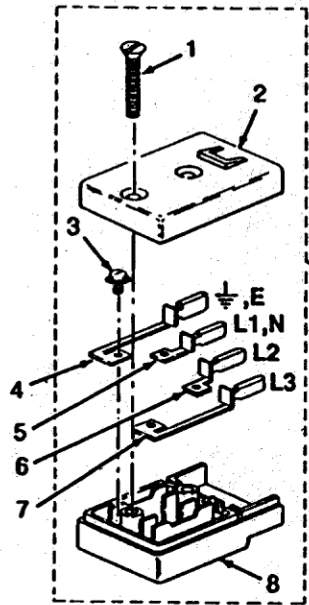
# Non-Lift Track Assembly Illustrated Parts List

ITEM	PART NO.	DESCRIPTION	QTY.
1	307C18-1	Screw, Button Head 1/4-20 x 3/4	1
2	833C2-1	Clamp Bracket Assembly	1
3	119C4-70	Support Bracket	2
4	300C15-3	Screw, Round Head 10-32 x 3/8	4
5	12C15-97	Washer, Flat 1/4	4
6	4C2-58	Nut, Hex 1/4-20	4
7	79C12-321	Lift Support Plate, Rear	1
8	727C2	Swivel Pad with Setscrew	2
9	50C11-34	Clamp Base	2
10	302C18-2	Screw, Flat Head 1/4-20 x 1/2	4
11	20C5-22	Clamp Screw	2
12	17C15-126	Roll Pin	2
13	57C7-49	Clamp Screw Lever	2
14	79C12-331	Lift Support Plate, Front	1
15	305C10-1	Screw, Binding Head 6-32 x 1/4 (Ref. only)	2
16	53C2-117	Limit Switch Cover (Ref. only)	1
17	773C1-0	Screw Clamp Assembly	3
18	20C13-4	Setscrew	3

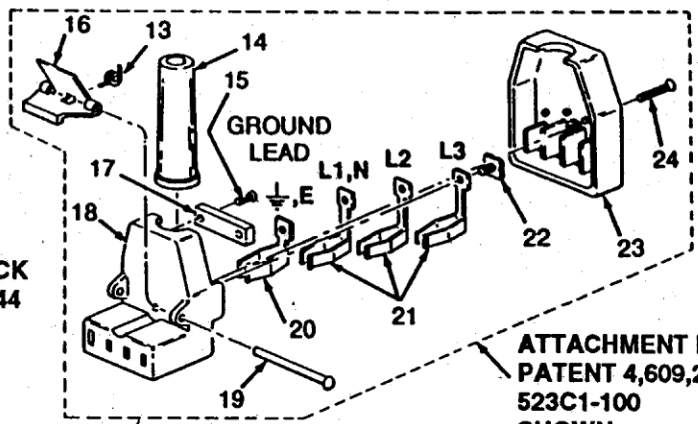


**Eastman** *machining*  
COMPANY

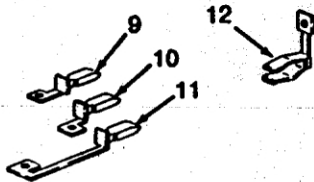
# EASTMAN



TERMINAL BLOCK  
PATENT 4,609,244  
508C1-100  
SHOWN



ATTACHMENT PLUG  
PATENT 4,609,244  
523C1-100  
SHOWN



## WARNING Wiring Instructions Eastman Attachment Plugs

Electrical connections to this device should be made by a qualified electrician who is familiar with applicable codes and regulations. To ensure operators safety, a ground lead must be connected to terminal "E" on the attachment plug. Disconnect this equipment from electrical power before proceeding with any disassembly for adjustment, inspection or repair.

ITEM	PART NO.	DESCRIPTION	EASTMAN 10A 380V 3-	EASTMAN 10A 220V 3-	EASTMAN 10A 220V	EASTMAN 15A 120V	EASTMAN 25A 120V
1	302C15-1	Screw, 4-40 x 7/8 Flat Hd.	1	1	1	1	1
2	508C1-100	Terminal Block, Top	510C1-53	510C1-54	510C1-55	510C1-56	510C1-57
3	200C13-103	U-Lock Screw	4	4	3	3	3
4	667C1-22	Terminal Contact w/Pin E	1	1	1	1	1
5	667C1-23	Terminal Contact w/pin L1, N	1	1	1	1	1
6	667C1-24	Terminal Contact w/Pin L2	1	1	1	1	1
7	510C1-51	Terminal Block, Bottom	1	1	1	1	1
8	667C1-25	Terminal Contact w/Pin L3	1	1	1	1	1
9	667C1-26	Terminal Contact w/Pin L1, N	1	1	1	1	1
10	667C1-27	Terminal Contact w/Pin L2	1	1	1	1	1
11	667C1-28	Terminal Contact w/Pin L3	1	1	1	1	1
12	47C3-21	Terminal Sleeve (current)	1	1	1	1	1
13	20C10-103	Screw	3	3	3	3	3
14	667C1-19	Terminal Sleeve	1	1	1	1	1
15	302C8-8	Screw, 4-40 x 7/8 Flat Hd.	1	1	1	1	1
16	98C4-37	Thumb Clip	1	1	1	1	1
17	50C7-27	Cord Clamp	1	1	1	1	1
18	82C1-45	Attachment Plug Body	82C1-45	82C1-46	82C1-47	82C1-48	82C1-49
19	70C3-19	Terminal Sleeve	1	1	1	1	1
20	70C3-20	Terminal Sleeve (current)	1	1	1	1	1
21	70C3-20	Terminal Sleeve (current)	1	1	1	1	1
22	20C13-103	U-Lock Screw	4	4	3	3	3
23	53C3-19	Attachment Plug Cover	53C3-19	53C3-20	53C3-21	53C3-22	53C3-23
24	302C8-8	Screw, 4-40 x 7/8 Flat Hd.	1	1	1	1	1
25	508C1-99	Terminal Block, Complete	508C1-99	508C1-100	508C1-101	508C1-102	508C1-103
26	523C1-99	Attachment Plug, Complete	523C1-99	523C1-100	523C1-101	523C1-102	523C1-103

**Eastman** machine  
COMPANY