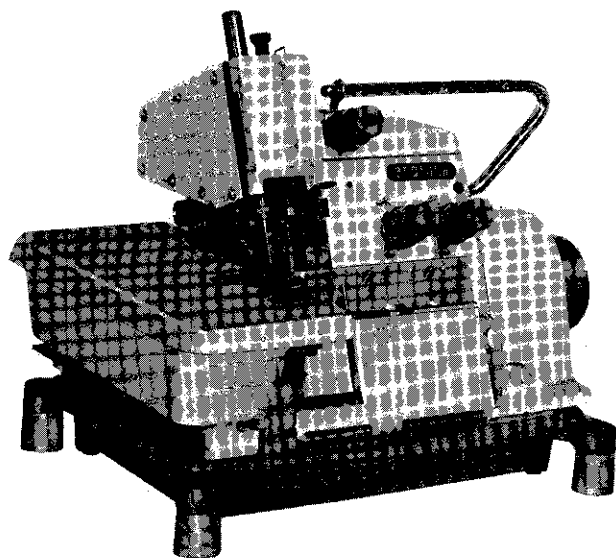


04

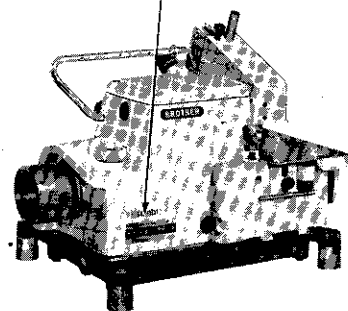
# PARTS BOOK

FOR

## BROTHER EF4-B561·B571



P561102



Single Needle  
Twin Needle Overlock Sewing Machine

**BROTHER INDUSTRIES, LTD.**  
NAGOYA, JAPAN

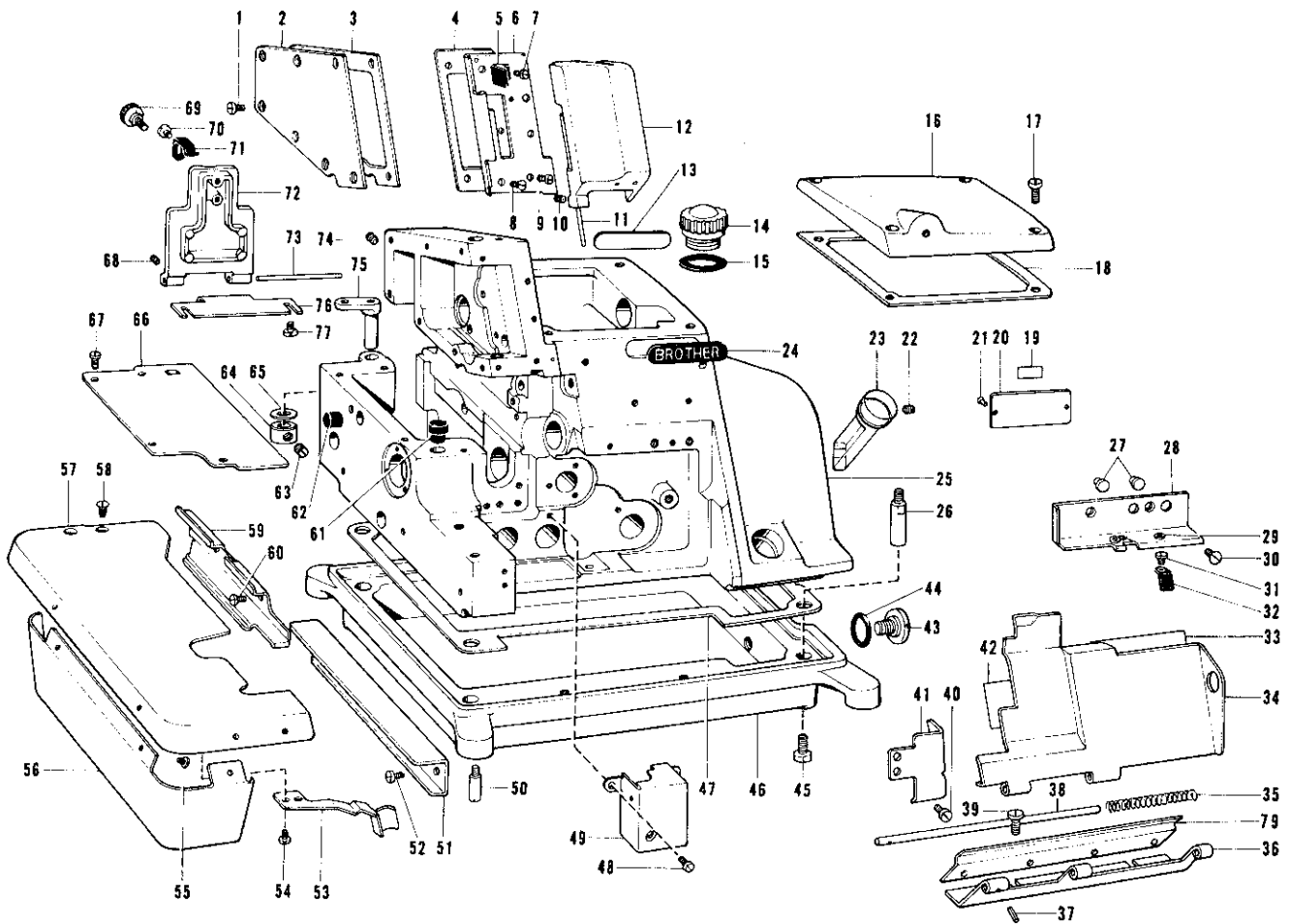
## How to use the parts book

1. This parts book can be used for ordering of the parts of the machine whose plate number is same as shown on the upper cover of the book (or correction sheet).
2. Those pages from A ~ F·Z·Y on this parts catalogue show all the parts for EF4-B561·001-○.
3. When the column for the parts number or parts assembly number is , 000000-0-00 please refer to the different parts list on the page 25.
4. When the column for the parts number is , the parts can not be supplied. But when the parts number is shown in the column, please order the parts by the parts assembly number so that the parts can be arranged in the form of assembled parts.
5. After page 7, please refer to the different parts list on the page 25.

## CONTENTS

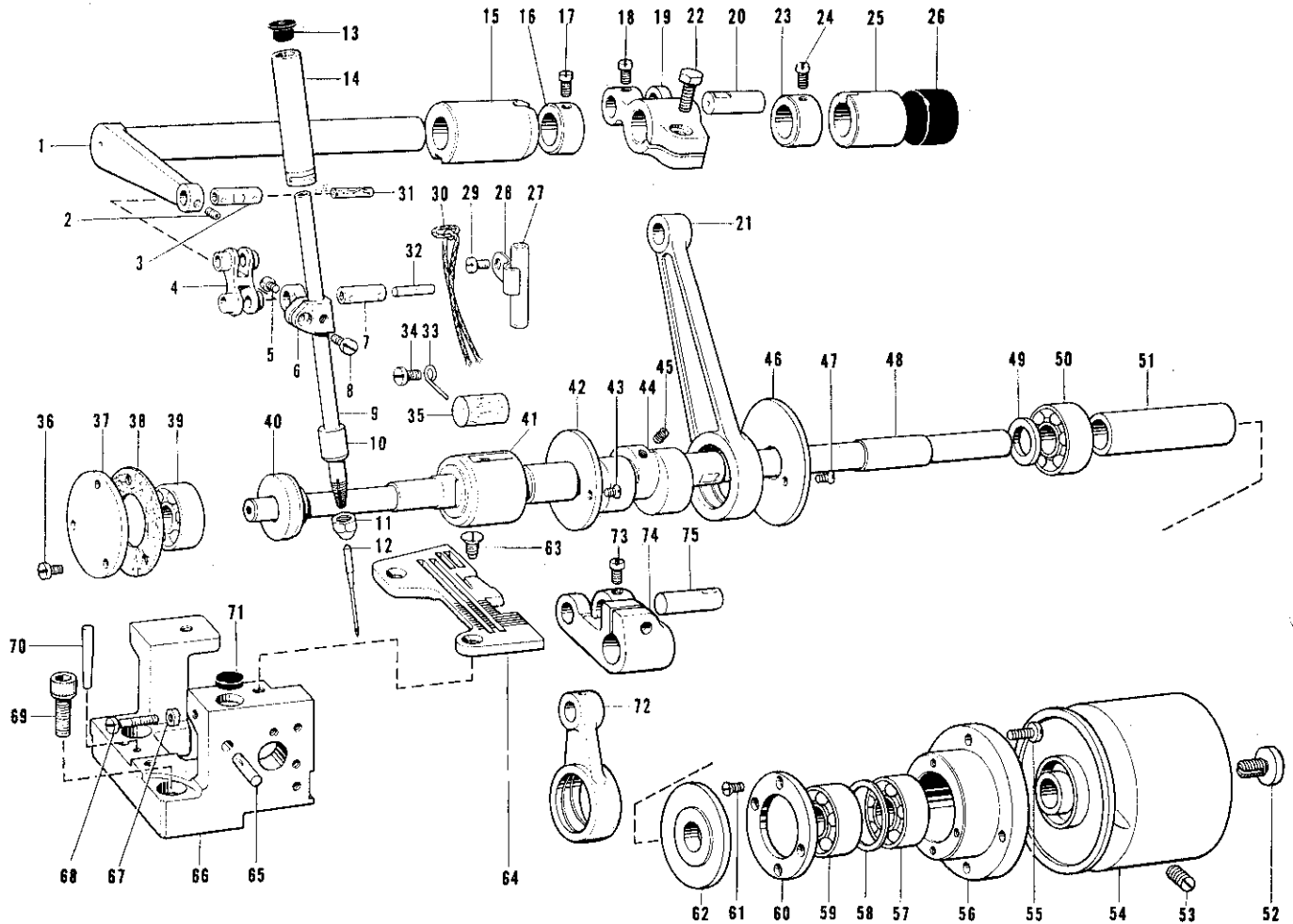
|  |   |
|--|---|
| <p>A. 001—○ (Thin, Medium) .....1<br/>Machine Body</p> <p>B. 001—○ (Thin, Medium) .....2<br/>Crank Shaft and Needle Bar Mechanism</p> <p>C. 001—○ (Thin, Medium) .....3<br/>Looper Mechanism</p> <p>D. 001—○ (Thin, Medium) .....4<br/>Feed Mechanism</p> <p>E. 001—○ (Thin, Medium) .....5<br/>Knives and Presser Foot Mechanism</p> <p>F. 001—○ (Thin, Medium) .....6<br/>Threading</p> <p>I. 002—○ (Bulky Knit) .....7</p> <p>J. 003—○ (Blind Hemming) .....8</p> <p>J'. 007—○ (Curling) .....8</p> <p>K. 008—○ (Ruffling) .....9</p> <p>L. 009—○ (Ruffling (W/Piping)) .....10</p> <p>M. 010—○ (Thin, Medium Taping) .....11</p> <p>M'. 005—○ (Serging) .....11</p> <p>N. 011—○ (Bulky, Medium Taping) .....12</p> | <p>P. Cord Guide .....13</p> <p>Z. Machine Head Plate and Spool Stand·14</p> <p>Y. Accessories .....15</p> <p>a. Definite Parts for EF4-B571 .....16</p> <p>b. 021—○ Needle Width 1.8mm (Thin) .....16</p> <p>c. 022—○ Needle Width 2.2mm (Thin, Medium) .....17</p> <p>d. 023—○ Needle Width 2.2mm (Thin, Medium) .....17</p> <p>e. 027—○ Needle Width 2.2mm (Bulky Knit) .....18</p> <p>f. 031—○ Needle Width 3mm (Extra Heavy) .....19</p> <p>g. 033—○ Needle Width 2.2mm (Ruffling) .....20</p> <p>h. 037—○ Needle Width 2.2mm (Ruffling (W/Piping)) .....21</p> <p>j. 041—○ Needle Width 2.2mm (Thin, Medium Taping) .....22</p> <p>j'. 042—○ Needle Width 2.2mm (Thin, Medium Taping) .....22</p> <p>k. 045—○ Needle Width 2.2mm (Bulky Knit Taping) .....23</p> <p>z. Machine Head Plate and Spool Stand·24</p> <p>DIFFERENT PARTS LIST .....25</p> <p>INDEX .....30</p> |
|--|---|

**A.** 001—○ (Thin, Medium)  
Machine Body



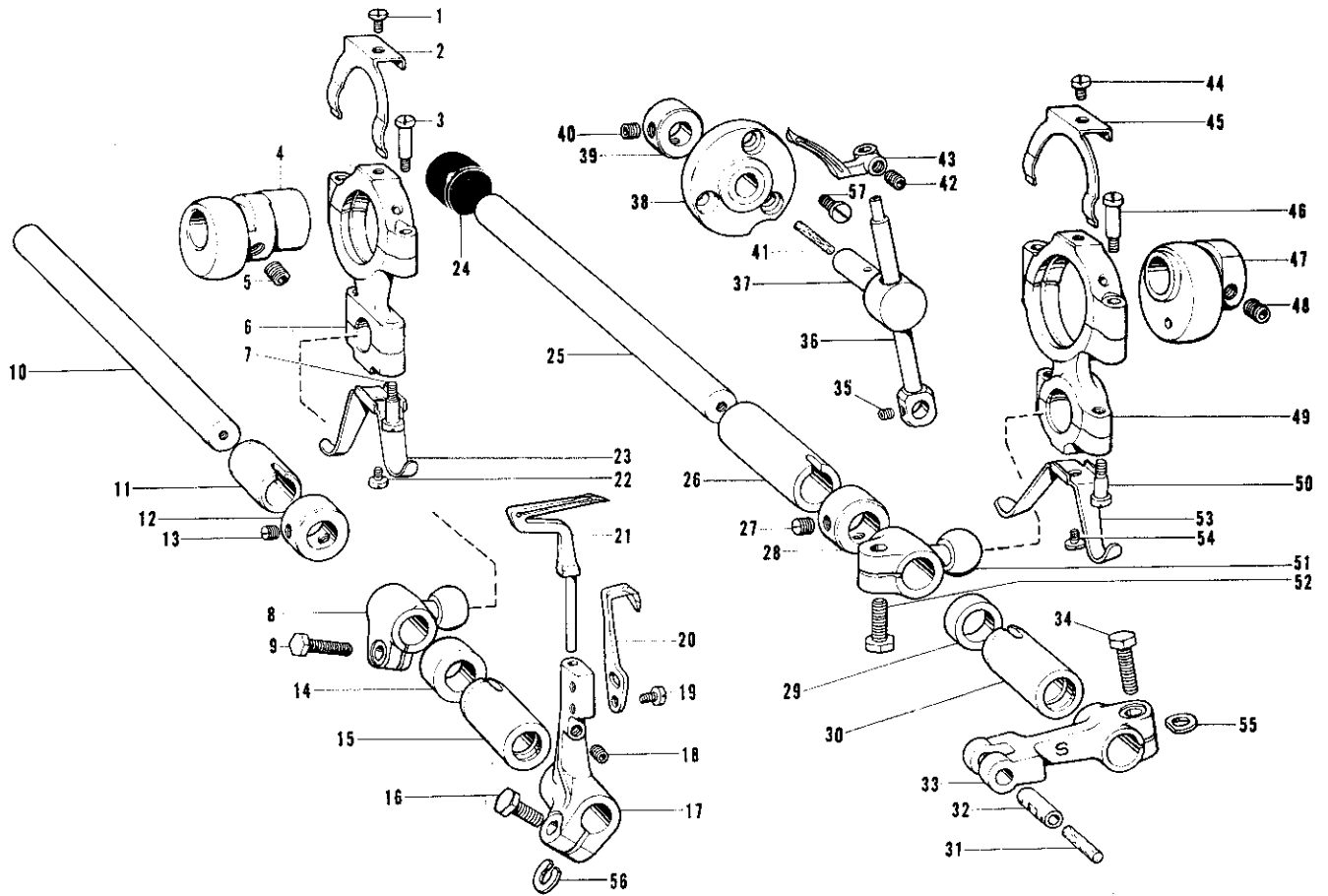
| Ref. No. | Name of Parts                      | Qty | Parts No.   | Assembly No. | Ref. No. | Name of Parts                  | Qty | Parts No.   | Assembly No. |
|----------|------------------------------------|-----|-------------|--------------|----------|--------------------------------|-----|-------------|--------------|
| A-1      | Screw                              | 7   | 009680-7-14 |              | A-40     | Screw                          | 2   | 009670-6-12 |              |
| A-2      | Cover for Needle Driving Mechanism | 1   | 148067-0-01 |              | A-41     | Front Cover Guide              | 1   | 148081-0-01 |              |
| A-3      | Face Plate Packing                 | 1   | 148068-0-00 |              | A-42     | Looper Threading Level         | 1   | 147943-0-01 |              |
| A-4      | Face Plate Packing                 | 1   | 148075-0-00 |              | A-43     | Screw                          | 1   | 110641-0-01 |              |
| A-5      | stopper Spring                     | 1   | 140041-0-01 |              | A-44     | Packing                        | 1   | 109203-0-01 |              |
| A-6      | Face plate                         | 1   | 148074-0-01 |              | A-45     | Bolt                           | 4   | 017771-6-12 |              |
| A-7      | Screw                              | 1   | 009670-6-12 |              | A-46     | Oil Reservoir                  | 1   | 148087-0-01 |              |
| A-8      | Screw                              | 1   | 102843-0-04 |              | A-47     | Packing                        | 1   | 148088-0-00 |              |
| A-9      | Screw                              | 3   | 009670-6-12 |              | A-48     | Screw                          | 2   | 009670-6-12 |              |
| A-10     | Screw                              | 1   | 146427-0-01 |              | A-49     | Inside Cover                   | 1   | 148078-0-01 |              |
| A-11     | Pin for Face Plate                 | 1   | 146426-0-00 |              | A-50     | Set Pin for Cushion            | 4   | 140077-0-01 |              |
| A-12     | Face plate Cover                   | 1   | 148073-0-01 |              | A-51     | Frame Hanger                   | 1   | 148090-0-01 |              |
| A-13     | Number Level (P)                   | 1   |             |              | A-52     | Screw                          | 3   | 009680-7-12 |              |
| A-14     | Cap for Oil Feeding Hole           | 1   | 146421-0-00 |              | A-53     | Stopper Spring for Cloth Plate | 1   | 148304-0-01 |              |
| A-15     | Packing                            | 1   | 113589-0-01 |              | A-54     | Screw                          | 2   | 009670-6-12 |              |
| A-16     | Top Cover                          | 1   | 148065-0-01 |              | A-55     | Screw                          | 3   | 106568-0-01 |              |
| A-17     | Screw                              | 4   | 009681-2-12 |              | A-56     | Cloth Plate Lower              | 1   | 148083-0-01 |              |
| A-18     | Packing                            | 1   | 148066-0-00 |              | A-57     | Cloth Plate                    | 1   | 148082-0-01 |              |
| A-19     | Level                              | 1   |             |              | A-58     | Screw                          | 2   | 100032-0-03 |              |
| A-20     | Model Plate B 561                  | 1   |             |              | A-59     | Cloth Guide (L)                | 1   | 148089-0-01 |              |
| A-21     | Model plate Pin                    | 2   |             |              | A-60     | Screw                          | 2   | 009670-6-12 |              |
| A-22     | Screw                              | 1   | 014680-4-22 |              | A-61     | Oil Cap                        | 1   | 148077-0-01 |              |
| A-23     | Oil Gauge                          | 1   | 148084-0-01 |              | A-62     | Oil Cap                        | 1   | 146315-0-00 |              |
| A-24     | Name Plate                         | 2   |             |              | A-63     | Screw                          | 2   | 101706-0-01 |              |
| A-25     | Machine Body                       | 1   |             |              | A-64     | Set Collar                     | 1   |             | 181969-0-03  |
| A-26     | Machine Body Leg                   | 4   | 148085-0-01 |              | A-65     | Washer                         | 1   | 141183-0-00 |              |
| A-27     | Oil Cap                            | 2   | 111865-0-01 |              | A-66     | Cover for Feed Mechanism       | 1   | 148076-0-01 |              |
| A-28     | Supporter for Front Cover          | 1   |             |              | A-67     | Screw                          | 4   | 009670-6-12 |              |
| A-29     | Thread Bushing                     | 2   | 146924-0-00 | 146713-0-01  | A-68     | Screw                          | 1   | 146427-0-01 |              |
| A-30     | Screw                              | 2   | 117160-0-01 |              | A-69     | Screw                          | 1   | 106120-0-02 |              |
| A-31     | Screw                              | 1   | 009670-4-12 |              | A-70     | Screw                          | 1   | 009670-6-12 |              |
| A-32     | Stopper Spring for Front Cover     | 1   | 146446-0-01 |              | A-71     | Stopper Spring                 | 1   | 148072-0-01 |              |
| A-33     | Threading Diagram                  | 1   | 148091-0-01 |              | A-72     | Cover for Feed Mechanism (B)   | 1   | 148069-0-01 |              |
| A-34     | Front Cover                        | 1   |             |              | A-73     | Hinge Pin                      | 1   | 148071-0-00 |              |
| A-35     | Spring                             | 1   | 146442-0-01 |              | A-74     | Screw                          | 2   | 013760-6-12 |              |
| A-36     | Front Cover Hinge                  | 1   | 146440-0-01 |              | A-75     | Cloth Plate Supporter          | 1   | 143374-0-01 |              |
| A-37     | Pin                                | 1   | 047140-8-42 | 148982-0-01  | A-76     | Feed Mechanism Cover Hinge B   | 1   | 148070-0-01 |              |
| A-38     | Shaft for Front Cover              | 1   | 146441-0-00 |              | A-77     | Screw                          | 2   | 009680-7-12 |              |
| A-79     | Hinge Cover                        | 1   | 148984-0-01 |              | A-78     | Packing                        | 1   | 148859-0-00 |              |
| A-39     | Screw                              | 2   | 107407-0-03 |              |          |                                |     |             |              |

**B.** 001—○ (Thin, Medium)  
Crank Shaft and Needle Bar Mechanism



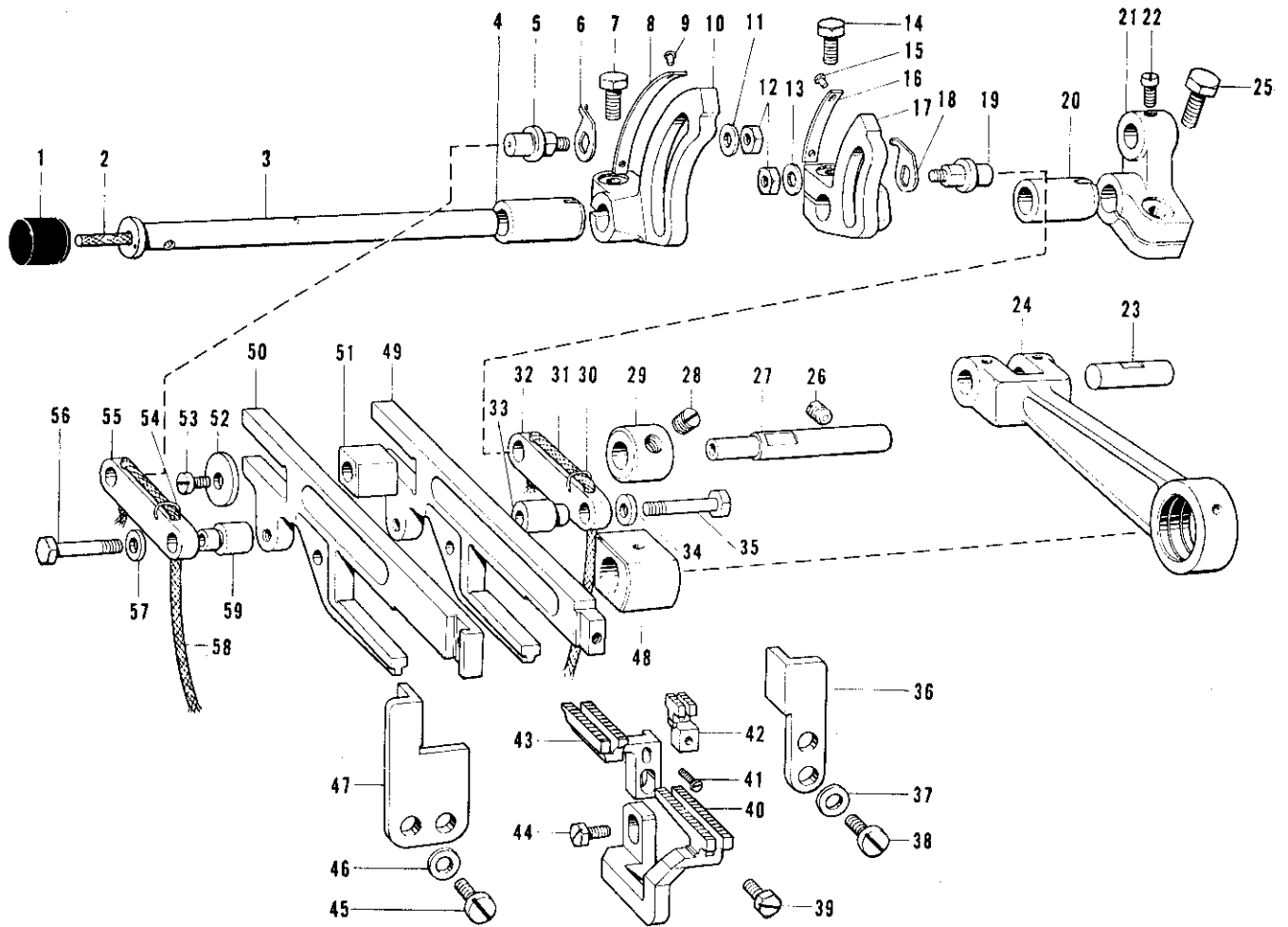
| Ref. No. | Name of Parts                | Qty | Parts No.   | Assembly No. | Ref. No.                              | Name of Parts                          | Qty         | Parts No.   | Assembly No. |
|----------|------------------------------|-----|-------------|--------------|---------------------------------------|--|-------------|-------------|--------------|
| B-1      | Needle Bar Crank Shaft       | 1   |             | 148269-0-01  | B-37                                  | Bearing Cap                            | 1           | 143311-0-01 |              |
| B-2      | Screw                        | 1   | 146427-0-01 |              | B-38                                  | Packing                                | 1           | 143312-0-00 |              |
| B-3      | Needle Bar Link Shaft        | 1   |             |              | B-39                                  | Bearing 6000                           | 1           | 072600-0-00 |              |
| B-4      | Needle Bar Link              | 1   |             |              | B-40                                  | Bushing                                | 1           | 148086-0-00 |              |
| B-5      | Screw                        | 1   | 009669-4-12 |              | B-41                                  | Crank Shaft Outer Bushing (L) Assembly | 1           | 148373-0-00 |              |
| B-6      | Needle Bar Clamp             | 1   |             |              | B-42                                  | Looper Connecting Rod Stopper Guide L  | 1           | 148225-0-01 |              |
| B-7      | Needle Bar Link Shaft        | 1   |             |              | B-43                                  | Screw                                  | 2           | 102843-0-04 |              |
| B-8      | Screw                        | 1   | 009670-8-12 | B-44         | Needle Bar, Upper knife Eccentric Cam | 1                                      |             |             |              |
| B-9      | Needle Bar                   | 1   |             | B-45         | Screw                                 | 2                                      | 148857-0-01 |             |              |
| B-11     | Needle Clamp Nut             | 1   | 147631-0-01 | B-46         | Looper Connecting Rod Stopper Guide R | 1                                      | 148205-0-01 |             |              |
| B-10     | Needle Bar Bushing (D)       | 1   | 146486-0-00 | B-47         | Screw                                 | 2                                      | 102843-0-04 |             |              |
| B-12     | Needle DC×I                  | 1   | 112297-0-11 | B-48         | Crank Shaft                           | 1                                      | 148109-0-01 |             |              |
| B-13     | Cap                          | 1   | 114255-0-02 | B-49         | Spacer                                | 1                                      | 148112-0-00 |             |              |
| B-14     | Needle Bar Bushing (U)       | 1   | 148123-0-01 | B-50         | Bearing 6001                          | 1                                      | 072600-1-00 |             |              |
| B-15     | Needle Shaft Bushing (Left)  | 1   | 148121-0-00 | B-51         | Collar L                              | 1                                      | 148111-0-00 |             |              |
| B-16     | Set Collar                   | 1   | 140092-0-01 | B-52         | Cap Screw                             | 1                                      | 140180-0-01 |             |              |
| B-17     | Screw                        | 2   | 100366-0-01 | B-53         | Screw                                 | 2                                      | 013761-4-10 |             |              |
| B-18     | Screw                        | 1   | 100366-0-01 | B-54         | Pully                                 | 1                                      | 140085-0-03 |             |              |
| B-19     | Needle Arm Driving Lever     | 1   |             | B-55         | Screw                                 | 4                                      | 009681-0-12 |             |              |
| B-20     | Pin                          | 1   |             | B-56         | Bearing Case                          | 1                                      | 110670-0-00 |             |              |
| B-21     | Needle Arm Driving Crank Rod | 1   |             | B-57         | Bearing 6001                          | 1                                      | 072600-1-00 |             |              |
| B-22     | Bolt                         | 1   | 017761-6-12 | B-58         | Thrust Washer                         | 1                                      | 110672-0-00 |             |              |
| B-23     | Set Collar                   | 1   | 140092-0-01 | B-59         | Bearing 6001                          | 1                                      | 072600-1-00 |             |              |
| B-24     | Screw                        | 2   | 100366-0-01 | B-60         | Bearing Cover                         | 1                                      | 110673-0-00 |             |              |
| B-25     | Needle Shaft Bushing (Right) | 1   | 148120-0-00 | B-61         | Screw                                 | 4                                      | 107244-0-01 |             |              |
| B-26     | Oil Cap 20. 30×10            | 1   | 140066-0-01 | B-62         | Oil Rejector                          | 1                                      | 140084-0-00 |             |              |
| B-27     | Vinyl Tube                   | 1   | 146644-0-00 | B-63         | Screw                                 | 2                                      | 100032-0-03 |             |              |
| B-28     | Tube Holder                  | 1   | 148315-0-01 | B-64         | Needle Plate                          | 1                                      |             |             |              |
| B-29     | Screw                        | 1   | 009680-7-12 | B-65         | Pin                                   | 1                                      | 117608-0-01 |             |              |
| B-30     | Wick                         | 1   | 118768-0-01 | B-66         | Needle Plate Support Bracket          | 1                                      | 148124-0-01 |             |              |
| B-31     | Felt                         | 1   | 147691-0-00 | B-67         | Nut                                   | 1                                      | 021670-2-02 |             |              |
| B-32     | Felt                         | 1   | 147691-0-00 | B-68         | Screw                                 | 1                                      | 009671-4-12 |             |              |
| B-33     | Felt Holder                  | 1   | 148247-0-01 | B-69         | Bolt                                  | 2                                      | 018061-6-22 |             |              |
| B-34     | Screw                        | 1   | 009680-7-12 | B-70         | Pin 3.5×24                            | 1                                      | 107351-0-01 |             |              |
| B-35     | Felt                         | 1   | 112754-0-01 | B-71         | Cloth Plate Cushion (B)               | 1                                      | 111486-0-01 |             |              |
| B-36     | Screw                        | 3   | 009670-8-12 |              |                                       |  |             |             |              |

C. 001—○ (Thin, Medium)  
Looper Mechanism



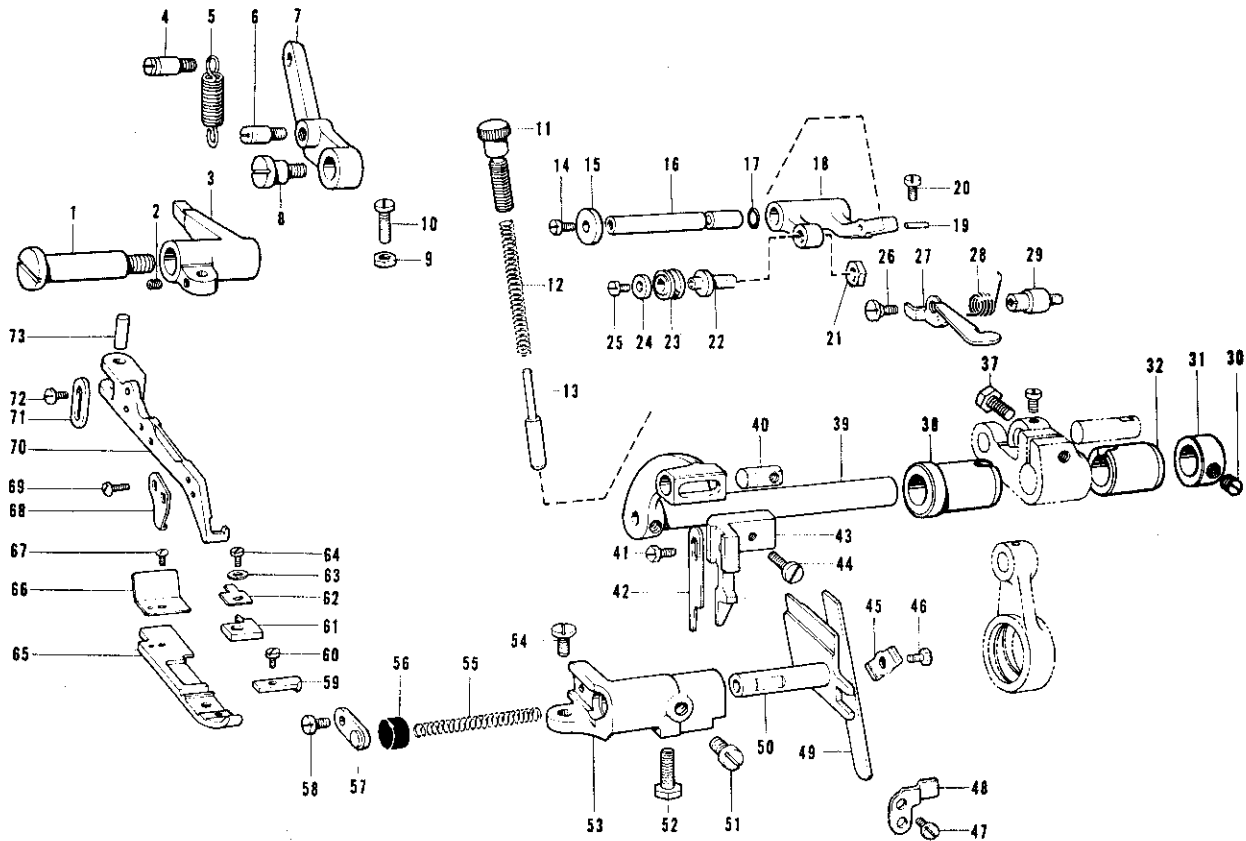
| Ref. No. | Name of Parts                  | Qty | Parts No.   | Assembly No. | Ref. No. | Name of Parts                  | Qty | Parts No.   | Assembly No. |
|----------|--------------------------------|-----|-------------|--------------|----------|--------------------------------|-----|-------------|--------------|
| C-1      | Screw                          | 1   | 009670-5-12 |              | C-30     | Bushing                        | 1   | 144031-0-00 |              |
| C-2      | Looper Connecting Rod Stopper  | 1   | 148224-0-01 |              | C-31     | Wick                           | 1   | 108809-0-01 |              |
| C-4      | Under Looper Eccentric Cam     | 1   |             | 181629-0-01  | C-32     | Over Looper Holder Pin         | 1   |             |              |
| C-5      | Screw                          | 2   | 148857-0-01 |              | C-33     | Over Looper                    | 1   |             |              |
| C-3      | Screw                          | 2   | 142590-0-01 |              | C-34     | Bolt                           | 1   | 017761-4-12 |              |
| C-6      | Looper Connecting Rod          | 1   |             | 181630-0-01  | C-35     | Screw                          | 1   | 146427-0-01 | 148209-0-01  |
| C-7      | Screw                          | 2   | 142590-0-01 |              | C-36     | Over Looper Holder             | 1   |             |              |
| C-8      | Under Looper Connecting Lever  | 1   |             | 148220-0-01  | C-37     | Over Looper Holder Guide Bolck | 1   |             |              |
| C-9      | Bolt                           | 1   | 017771-4-12 |              | C-38     | Over Looper Holder Guide Base  | 1   |             |              |
| C-10     | Under Looper Shaft             | 1   | 148226-0-01 |              | C-39     | Set Collar                     | 1   |             |              |
| C-11     | Under Looper Shaft Bushing (B) | 1   | 148227-0-00 |              | C-40     | Screw                          | 2   | 014680-4-22 |              |
| C-12     | Set Collar                     | 1   |             | 180323-0-01  | C-55     | Spacer                         | 1   | 148783-0-01 |              |
| C-13     | Screw                          | 2   | 013760-6-12 |              | C-42     | Screw                          | 1   | 014680-4-22 | 147934-0-01  |
| C-14     | Trust Collar                   | 1   | 148229-0-01 |              | C-43     | Over Looper                    | 1   |             |              |
| C-15     | Under Looper Shaft Bushing (F) | 1   | 148228-0-00 |              | C-44     | Screw                          | 1   | 009670-5-12 |              |
| C-16     | Bolt                           | 1   | 017751-4-12 |              | C-45     | Looper Connecting Rod Stopper  | 1   | 148204-0-01 |              |
| C-17     | Under Looper Hodler            | 1   | 146617-0-01 |              | C-47     | Over Looper Eccentric Cam      | 1   |             | 181628-0-01  |
| C-18     | Screw                          | 1   | 014680-4-22 |              | C-48     | Screw                          | 2   | 148857-0-01 |              |
| C-19     | Screw                          | 2   | 009670-8-12 |              | C-46     | Screw                          | 2   | 142658-0-01 |              |
| C-20     | Movable Needle Guard           | 1   | 144127-0-01 |              | C-49     | Over Looper Connecting Rod     | 1   |             | 181631-0-01  |
| C-21     | Under Looper                   | 1   | 144049-0-01 |              | C-50     | Screw                          | 2   | 142590-0-01 |              |
| C-22     | Screw                          | 1   | 009670-5-12 |              | C-51     | Over Looper Connecting Lever   | 1   |             | 148200-0-01  |
| C-23     | Oil Jumping Plate L            | 1   | 148251-0-01 |              | C-52     | Bolt                           | 1   | 017771-6-12 |              |
| C-24     | Oil Cap 20.30×10               | 1   | 140066-0-01 |              | C-53     | Oil Jumping Plate R.           | 1   | 148250-0-01 |              |
| C-25     | Over Looper Shaft              | 1   | 148206-0-01 |              | C-54     | Screw                          | 1   | 009670-5-12 |              |
| C-26     | Bushing                        | 1   | 148207-0-00 |              | C-41     | Wick                           | 1   | 148249-0-00 |              |
| C-27     | Screw                          | 2   | 100260-0-01 |              | C-56     | Spacer                         | 1   | 148782-0-01 |              |
| C-28     | Set Collar                     | 1   | 146581-0-01 |              | C-57     | Screw                          | 3   | 009680-7-12 |              |
| C-29     | Thrust Collar                  | 1   | 148208-0-01 |              |          |                                |     |             |              |

**D.** 001—○ (Thin, Medium)  
Feed Mechanism



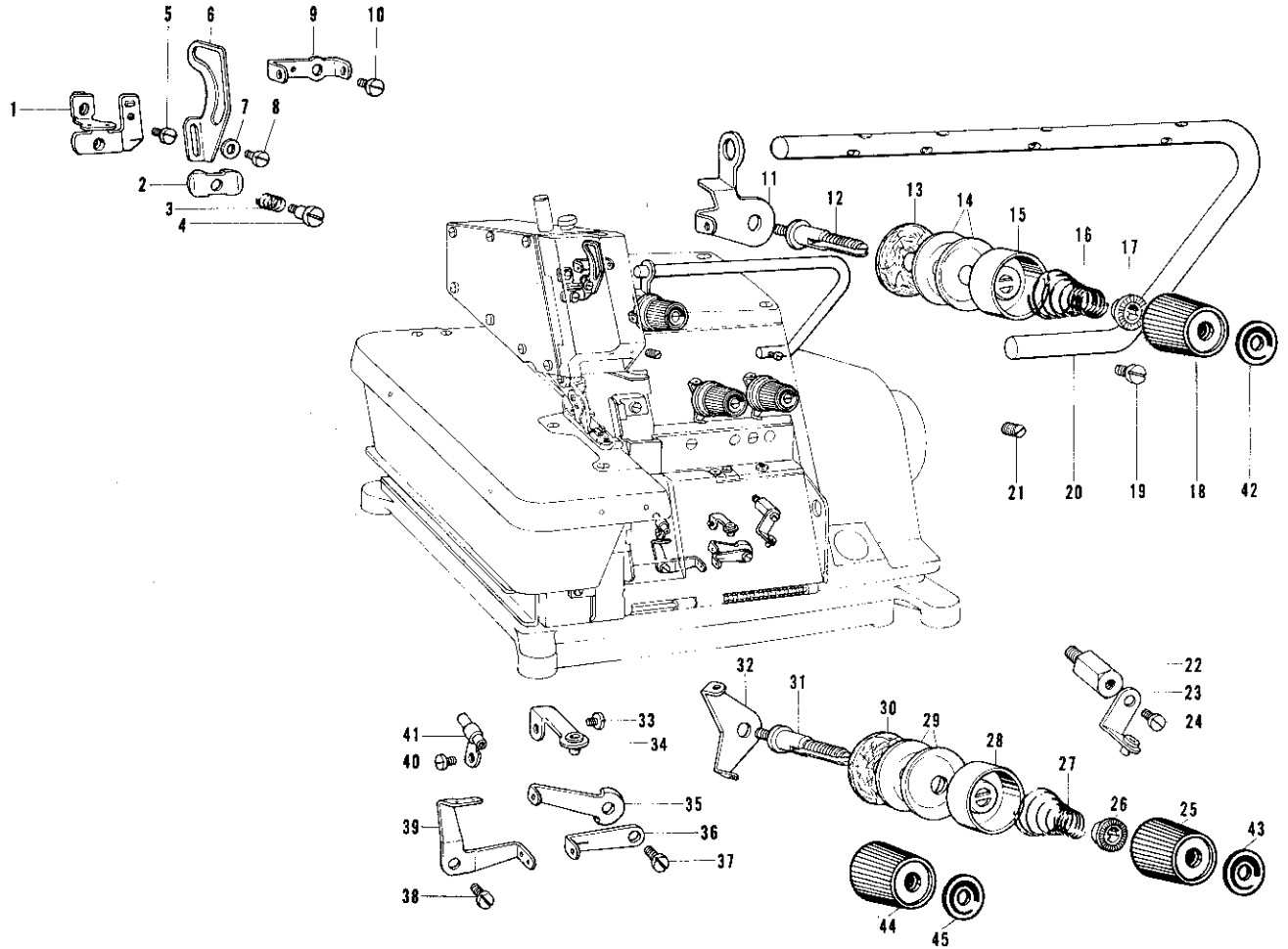
| Ref. No. | Name of Parts               | Q'ty | Parts No.   | Assembly No. | Ref. No. | Name of Parts            | Q'ty | Parts No.   | Assembly No. |
|----------|-----------------------------|------|-------------|--------------|----------|--------------------------|------|-------------|--------------|
| D-1      | Oil Cap 14, 30×10           | 1    | 140065-0-01 |              | D-31     | Wick                     | 1    | 142674-0-00 |              |
| D-2      | Wick                        | 1    | 148248-0-00 |              | D-32     | Feed Link                | 1    | 148184-0-00 |              |
| D-3      | Feed Shaft                  | 1    | 148167-0-01 |              | D-33     | Feed Link Bushing        | 1    | 148185-0-01 |              |
| D-4      | Feed Shaft Bushing (L)      | 1    | 148168-0-00 |              | D-34     | Washer                   | 1    | 140208-0-01 |              |
| D-5      | Feed Link Shaft             | 1    | 148181-0-01 |              | D-35     | Bolt                     | 1    | 148186-0-01 |              |
| D-6      | Feed Link Indicator Plate L | 1    | 148183-0-01 |              | D-36     | Feed Bar Guide (R)       | 1    | 148174-0-00 |              |
| D-7      | Bolt                        | 1    | 017761-4-12 |              | D-37     | Washer                   | 2    | 113431-0-02 |              |
| D-8      | Indicator Plate             | 1    | 148180-0-01 |              | D-38     | Screw                    | 2    | 107407-0-03 |              |
| D-9      | Model Plate Pin             | 1    | 116231-0-01 |              | D-39     | Bolt                     | 1    | 117516-0-01 |              |
| D-10     | Differential Feed Arm       | 1    | 148179-0-01 |              | D-40     | Differential Feed Dog    | 1    | 146748-0-01 |              |
| D-11     | Washer                      | 1    | 148847-0-01 |              | D-41     | Screw                    | 1    | 009630-8-12 |              |
| D-12     | Nut                         | 2    | 148838-0-01 |              | D-42     | Chain Feed Dog           | 1    | 146577-0-01 |              |
| D-13     | Washer                      | 1    | 148847-0-01 |              | D-43     | Main Feed Dog            | 1    | 146744-0-01 |              |
| D-14     | Bolt                        | 1    | 017761-4-12 |              | D-44     | Bolt                     | 1    | 117516-0-01 |              |
| D-15     | Model Plate Pin             | 2    | 116231-0-01 |              | D-45     | Screw                    | 2    | 107407-0-03 |              |
| D-16     | Indicator Plate             | 1    | 148178-0-01 |              | D-46     | Washer                   | 2    | 113431-0-02 |              |
| D-17     | Main Feed Arm               | 1    | 148177-0-01 |              | D-47     | Feed Bar Guide (L)       | 1    | 148175-0-00 |              |
| D-18     | Feed Link Indicator Plate R | 1    | 148182-0-01 |              | D-48     | Feed Lifting Slide Block | 1    | 148173-0-00 | 148262-0-01  |
| D-19     | Feed Link Shaft             | 1    | 148181-0-01 |              | D-49     | Main Feed Bar            | 1    |             |              |
| D-20     | Feed Shaft Bushing (R)      | 1    | 148169-0-00 |              | D-50     | Differential Feed Bar    | 1    |             | 148170-0-01  |
| D-21     | Feed Arm                    | 1    |             |              | D-51     | Feed Bar Guide Block     | 1    | 146547-0-00 |              |
| D-22     | Screw                       | 1    | 100366-0-01 | 148163-0-01  | D-52     | Slide Plate              | 1    | 146549-0-01 |              |
| D-23     | Pin                         | 1    | 148166-0-01 |              | D-53     | Screw                    | 1    | 009680-7-12 |              |
| D-24     | Feed Rod                    | 1    |             |              | D-54     | Steel Wire               | 1    | 140774-0-00 |              |
| D-25     | Bolt                        | 1    | 017761-4-12 |              | D-55     | Feed Link                | 1    | 148403-0-00 |              |
| D-26     | Screw                       | 1    | 148857-0-01 |              | D-56     | Bolt                     | 1    | 148186-0-01 |              |
| D-27     | Feed Bar Guide Block Shaft  | 1    | 148176-0-01 |              | D-57     | Washer                   | 1    | 140208-0-01 |              |
| D-28     | Screw                       | 2    | 101706-0-03 | 181995-0-01  | D-58     | Wick                     | 1    | 142674-0-00 |              |
| D-29     | Set Collar                  | 1    |             |              | D-59     | Feed Link Bushing        | 1    | 148404-0-01 |              |
| D-30     | Steel Wire                  | 1    | 140774-0-00 |              |          |                          |      |             |              |

E. 001—○ (Thin, Medium)  
Knives and Presser Foot Mechanism



| Ref. No. | Name of Parts              | Q'ty | Parts No.   | Assembly No. | Ref. No. | Name of Parts                     | Q'ty | Parts No.   | Assembly No. |
|----------|----------------------------|------|-------------|--------------|----------|-----------------------------------|------|-------------|--------------|
| E-1      | Screw                      | 1    | 148147-0-01 |              | E-38     | Bushing Left                      | 1    | 148196-0-00 |              |
| E-2      | Screw                      | 1    | 146427-0-01 |              | E-39     | Upper Knife Driving Arm           | 1    | 146580-0-01 |              |
| E-3      | Presser Foot Supporter     | 1    | 148146-0-01 |              | E-40     | Nut                               | 1    | 148281-0-01 |              |
| E-4      | Spring Hook                | 1    | 148144-0-01 |              | E-41     | Bolt                              | 1    | 144075-0-01 |              |
| E-5      | Spring                     | 1    | 148145-0-01 |              | E-42     | Upper Knife                       | 1    | 148198-0-01 |              |
| E-6      | Spring Hook                | 1    | 148144-0-01 |              | E-43     | Upper Knife Holder                | 1    | 144073-0-01 |              |
| E-7      | Presser Foot Lifter Lever  | 1    | 148143-0-01 |              | E-44     | Screw                             | 1    | 107407-0-03 |              |
| E-8      | Screw                      | 1    | 141528-0-01 |              | E-45     | Lower Knife Holding Plate         | 1    | 117515-0-01 |              |
| E-9      | Nut                        | 1    | 021680-2-02 |              | E-46     | Bolt                              | 1    | 117516-0-01 |              |
| E-10     | Screw                      | 1    | 009681-4-12 |              | E-47     | Screw                             | 2    | 009670-6-12 |              |
| E-11     | Screw                      | 1    | 148128-0-01 |              | E-48     | Lower Knife Holder Guide          | 1    | 146585-0-01 |              |
| E-12     | Spring                     | 1    | 148129-0-01 |              | E-49     | Lower Knife                       | 1    | 112436-0-01 |              |
| E-13     | Pin                        | 1    | 148130-0-01 |              | E-50     | Lower Knife Holder                | 1    | 146754-0-01 |              |
| E-14     | Screw                      | 1    | 009680-7-12 |              | E-51     | Screw                             | 1    | 107407-0-03 |              |
| E-15     | Washer                     | 1    | 148135-0-01 |              | E-52     | Bolt                              | 1    | 017771-6-12 |              |
| E-16     | Presser Bar Lever Shaft    | 1    | 148134-0-01 |              | E-53     | Lower Knife Holder Supporter      | 1    | 146582-0-01 |              |
| E-17     | Packing                    | 1    | 081002-6-70 |              | E-54     | Screw                             | 1    | 102627-0-01 |              |
| E-18     | Presser Bar Lever          | 1    |             | 148131-0-01  | E-55     | Spring                            | 1    | 146584-0-01 |              |
| E-19     | Rollar                     | 1    | 148133-0-01 |              | E-56     | Cap                               | 1    | 146586-0-00 |              |
| E-20     | Screw                      | 1    | 104908-0-01 |              | E-57     | Lower Knife Holder Spring Stopper | 1    | 140248-0-01 |              |
| E-21     | Nut                        | 1    | 100022-0-05 |              | E-58     | Screw                             | 1    | 009680-7-12 |              |
| E-22     | Presser Arm Rollar Shaft   | 1    |             |              | E-59     | Presser Foot (Front)              | 1    | 146888-0-01 |              |
| E-23     | Presser Arm Rollar         | 1    |             | 148346-0-01  | E-60     | Screw                             | 1    | 009639-3-12 |              |
| E-24     | Washer                     | 1    | 148813-0-01 |              | E-61     | Presser Foot Stitch Tongue        | 1    | 146886-0-01 |              |
| E-25     | Screw                      | 1    | 009670-5-12 |              | E-62     | Presser Foot Hinge Spring         | 1    | 146887-0-01 |              |
| E-26     | Screw                      | 1    | 148139-0-01 |              | E-63     | Washer                            | 1    | 025030-1-32 | 146884-0-01  |
| E-27     | Presser Bar Lifter         | 1    | 148137-0-01 |              | E-64     | Screw                             | 1    | 100080-0-04 |              |
| E-28     | Spring                     | 1    | 148138-0-01 |              | E-65     | Presser Foot                      | 1    |             |              |
| E-29     | Presser Bar Lifter Bracket | 1    | 148136-0-01 |              | E-66     | Presser Foot (Rear)               | 1    |             |              |
| E-30     | Screw                      | 2    | 100260-0-01 |              | E-67     | Screw                             | 1    | 100105-0-05 |              |
| E-31     | Set Collar                 | 1    | 146581-0-01 |              | E-68     | Presser Foot Stopper              | 1    | 140504-0-01 |              |
| E-32     | Bushing Right              | 1    | 148197-0-00 |              | E-69     | Screw                             | 2    | 001660-5-12 |              |
|          |                            |      |             |              | E-70     | Main Presser Arm                  | 1    | 148149-0-01 |              |
|          |                            |      |             |              | E-71     | Presser Arm Stopper               | 1    | 148148-0-01 |              |
|          |                            |      |             |              | E-72     | Screw                             | 2    | 009669-4-12 |              |
|          |                            |      |             |              | E-73     | Pin                               | 1    | 141393-0-01 |              |
| E-37     | Bolt                       | 1    | 017761-6-12 |              |          |                                   |      |             |              |

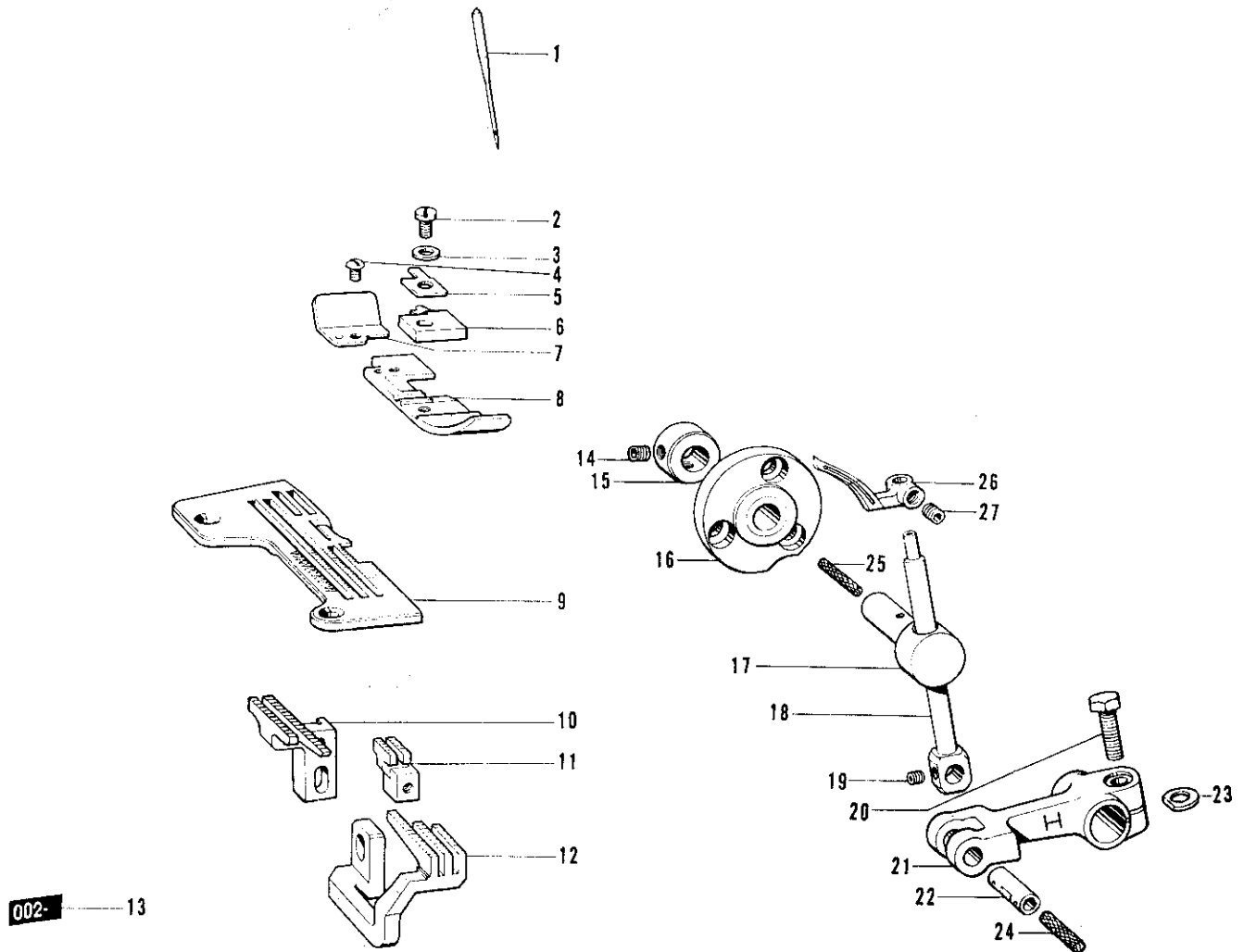
F. 001—○ (Thin, Medium)  
Threading



| Ref. No. | Name of Parts                      | Q'ty | Parts No.   | Assembly No. | Ref. No. | Name of Parts                      | Q'ty | Parts No.   | Assembly No. |
|----------|------------------------------------|------|-------------|--------------|----------|------------------------------------|------|-------------|--------------|
| F-1      | Needle Thread Guide                | 1    | 147344-0-01 |              | F-23     | Under Looper Thread Guide          | 1    | 146926-0-01 |              |
| F-2      | Needle Thread Guard                | 1    | 112300-0-01 |              | F-24     | Screw                              | 1    | 009670-6-12 |              |
| F-3      | Needle Thread Guard Spring         | 1    | 112299-0-01 |              | F-26     | Washer                             | 2    | 144105-0-00 |              |
| F-4      | Screw                              | 1    | 112301-0-01 |              | F-27     | Spring                             | 2    | 144110-0-01 |              |
| F-5      | Screw                              | 1    | 009670-6-12 |              | F-28     | Tension Disc Washer                | 2    | 144103-0-02 |              |
| F-6      | Needle Thread Take-up              | 1    | 144108-0-01 |              | F-29     | Tension Disc                       | 4    | 145446-0-01 |              |
| F-7      | Washer                             | 1    | 105248-0-03 |              | F-30     | Felt                               | 2    | 110832-0-01 |              |
| F-8      | Screw                              | 1    | 009669-3-12 |              | F-31     | Looper Thread Tension Control Stud | 2    | 110820-0-01 |              |
| F-9      | Needle Thread Guide (A)            | 1    | 143757-0-01 |              | F-32     | Needle Thread Guide Plate          | 2    | 110813-0-01 |              |
| F-10     | Screw                              | 1    | 009670-8-12 |              | F-33     | Screw                              | 1    | 009670-6-12 |              |
| F-11     | Thread Guide Supporter             | 1    | 146649-0-01 |              | F-34     | Over Looper Thread Guide           | 1    | 146929-0-01 |              |
| F-12     | Looper Thread Tension Control Stud | 1    | 110820-0-01 |              | F-35     | Over Looper Thread Take-up (R)     | 1    | 146652-0-01 |              |
| F-13     | Felt                               | 1    | 110832-0-01 |              | F-36     | Under Looper Thread Take-up (R)    | 1    | 146653-0-01 |              |
| F-14     | Tension Disc                       | 2    | 145446-0-01 |              | F-37     | Screw                              | 1    | 009670-8-12 |              |
| F-15     | Tension Disc Washer                | 1    | 144103-0-02 |              | F-38     | Screw                              | 1    | 009670-6-12 |              |
| F-16     | Spring                             | 1    | 144104-0-01 |              | F-39     | Looper Thread Take-up (L)          | 1    | 146654-0-01 |              |
| F-17     | Washer                             | 1    | 144105-0-00 |              | F-40     | Screw                              | 1    | 122771-0-02 |              |
| F-19     | Screw                              | 1    | 009681-4-12 |              | F-41     | Over Looper Thread Guide           | 1    | 142669-0-01 |              |
| F-20     | Main Thread Guide                  | 1    | 148253-0-01 |              | F-25     | Thread Tension Adjusting Nut       | 1    |             | 149568-0-02  |
| F-21     | Screw                              | 1    | 013689-4-12 |              | F-43     | Color Plate                        | 1    | 147049-0-02 |              |
| F-18     | Thread Tension Adjusting Nut       | 1    |             | 149568-0-03  | F-44     | Thread Tension Adjusting Nut       | 1    |             | 149568-0-04  |
| F-42     | Color Plate                        | 1    | 147049-0-03 |              | F-45     | Color Plate                        | 1    | 147049-0-04 |              |
| F-22     | Thread Guide Holder                | 1    | 148254-0-01 |              |          |                                    |      |             |              |



I. 002—○ (Bulky Knit)

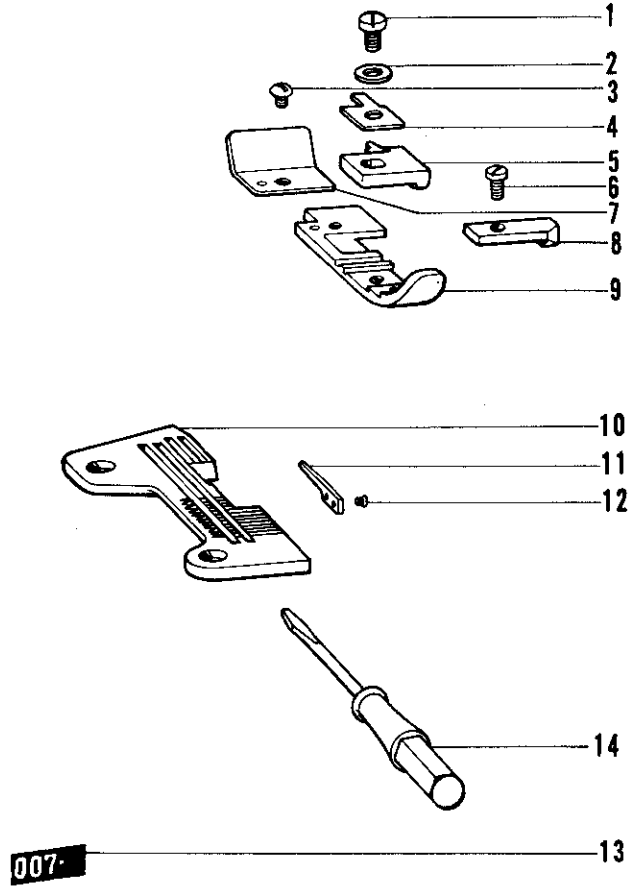
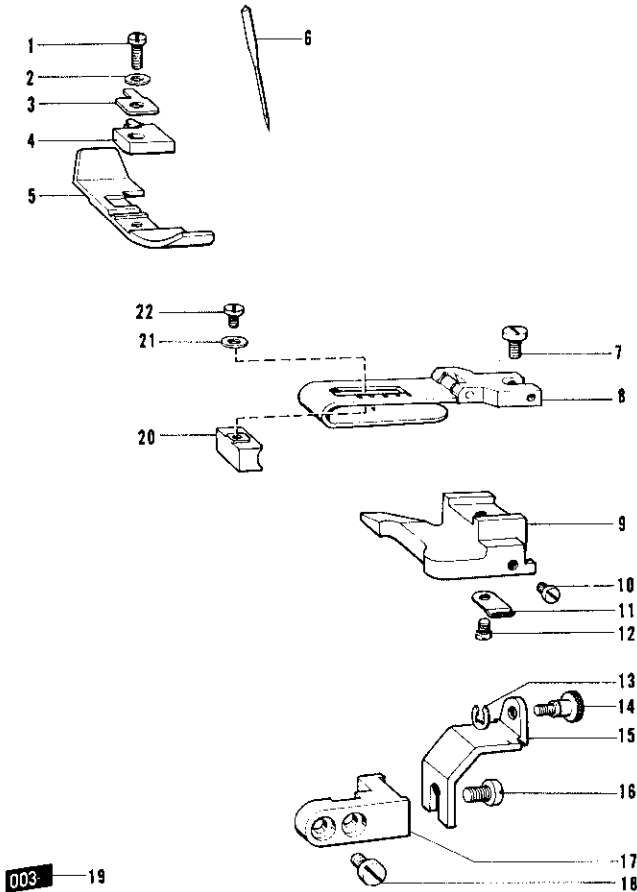


| Ref. No. | Name of Parts              | Q'ty | Parts No.   | Assembly No. | Ref. No. | Name of Parts                  | Q'ty        | Parts No.   | Assembly No. |
|----------|----------------------------|------|-------------|--------------|----------|--------------------------------|-------------|-------------|--------------|
| I-1      | Needle DC×1                | 1    | 112297-0-14 | 146898-0-01  | I-14     | Screw                          | 2           | 014680-4-22 | 148217-0-01  |
| I-2      | Screw                      | 1    | 100080-0-04 |              | I-15     | Set Collar                     | 1           |             |              |
| I-3      | Washer                     | 1    | 025030-1-32 |              | I-16     | Over Looper Holder Guide Base  | 1           |             |              |
| I-4      | Screw                      | 1    | 100105-0-05 |              | I-17     | Over Looper Holder Guide Block | 1           |             |              |
| I-5      | Presser Foot Hinge Spring  | 1    | 146887-0-01 |              | I-18     | Over Looper Holder             | 1           |             |              |
| I-6      | Presser Foot Stitch Tongue | 1    | 146900-0-01 |              | I-19     | Screw                          | 1           | 146427-0-01 |              |
| I-7      | Presser Foot (Rear)        | 1    | 145774-0-01 |              | I-20     | Bolt                           | 1           | 017761-6-12 |              |
| I-8      | Presser Foot               | 1    |             |              | I-21     | Over Looper Driving Lever      | 1           |             |              |
| I-9      | Needle Plate               | 1    |             |              | I-22     | Over Looper Holding Shaft      | 1           |             |              |
| I-10     | Main Feed Dog              | 1    | 148187-0-01 |              | I-23     | Spacer                         | 1           | 148783-0-01 |              |
| I-11     | Chain Feed Dog             | 1    | 148189-0-01 |              | I-24     | Wick                           | 1           | 108809-0-01 |              |
| I-12     | Differential Feed Dog      | 1    | 146750-0-01 |              | I-25     | Wick                           | 1           | 148249-0-00 |              |
| I-13     | Lavel                      | 1    |             |              | I-26     | Over Looper                    | 1           |             |              |
|          |                            |      |             | I-27         | Screw    | 1                              | 014680-4-22 | 147937-0-01 |              |

★All other parts except above-mentioned parts are the same as those for 001—○.

**J. 003—** (Blind Hemming)

**J'. 007—** (Curling)



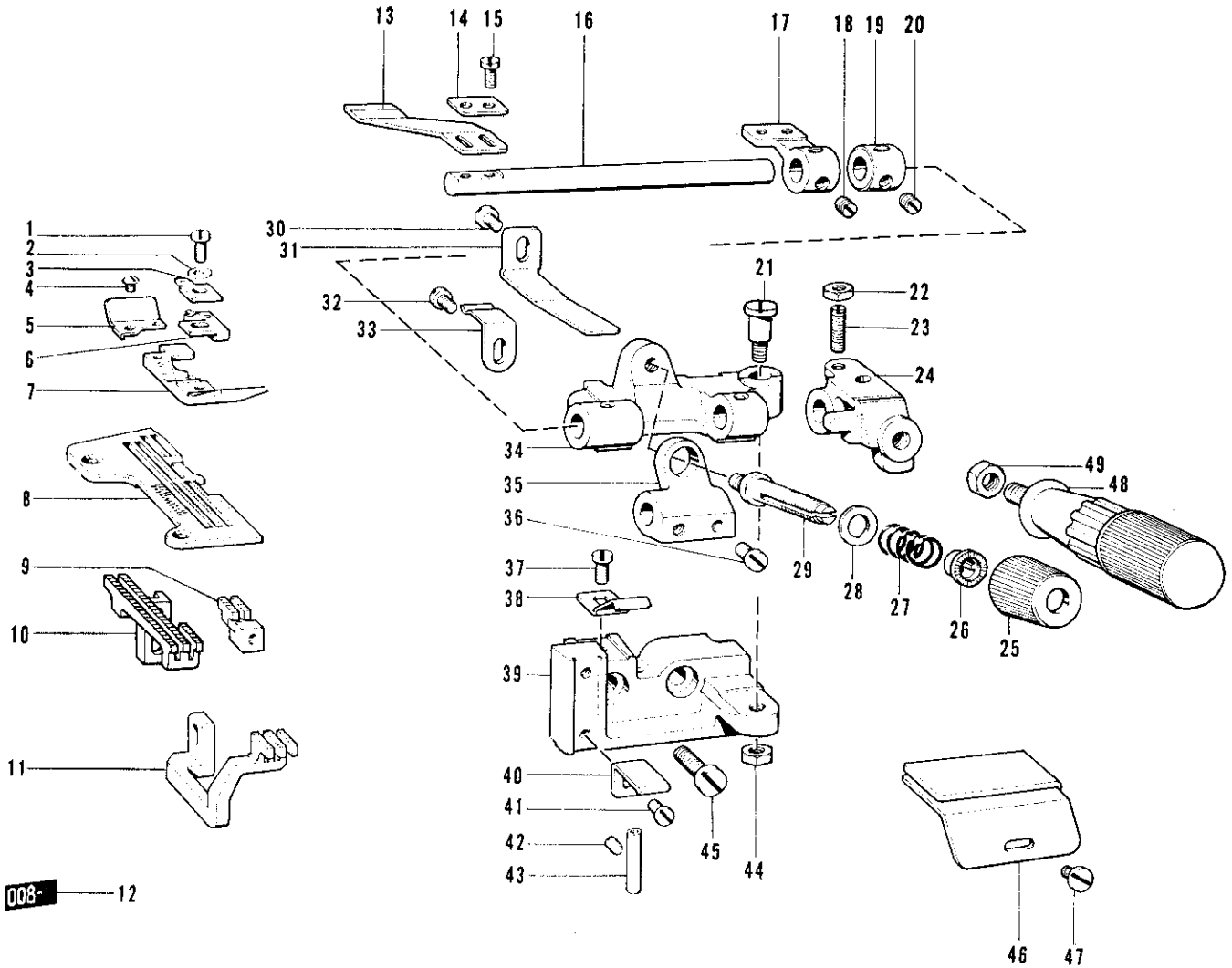
| Ref. No. | Name of Parts                            | Q'ty | Parts No.   | Assembly No. |
|----------|--|------|-------------|--------------|
| J- 1     | Screw                                    | 1    | 100080-0-04 | 146890-0-01  |
| J- 2     | Washer                                   | 1    | 025030-1-32 |              |
| J- 3     | Presser Foot Hinge Spring                | 1    | 146887-0-01 |              |
| J- 4     | Presser Foot Stitch Tongue               | 1    | 146892-0-01 |              |
| J- 5     | Presser Foot                             | 1    |             | 151173-0-01  |
| J- 6     | Needle DC×1                              | 1    | 112297-0-09 |              |
| J- 7     | Screw                                    | 1    | 001670-6-14 | 147710-0-01  |
| J- 8     | Edge Hemming Ruler A Assembly            | 1    |             |              |
| J-20     | Blind Hemming Ruler Adjuster             | 1    | 150339-0-01 |              |
| J-21     | Washer                                   | 1    | 025030-2-32 |              |
| J-22     | Screw                                    | 1    | 009660-4-12 |              |
| J- 9     | Edge Hemming Ruler                       | 1    | 147711-0-01 |              |
| J-10     | Screw                                    | 1    | 111443-0-01 |              |
| J-11     | Flat Spring                              | 1    | 147713-0-01 |              |
| J-12     | Screw                                    | 1    | 009679-3-12 |              |
| J-13     | Stop Ring                                | 1    | 048030-3-42 |              |
| J-14     | Adjusting Screw                          | 1    | 146759-0-01 |              |
| J-15     | Edge Hemming Ruler Fitting Holder        | 1    | 147712-0-01 |              |
| J-16     | Screw                                    | 1    | 009680-7-12 |              |
| J-17     | Supporter for Edge Hemming Ruler Fitting | 2    | 146760-0-01 |              |
| J-18     | Screw                                    | 1    | 009670-6-12 |              |
| J-19     | Lavel                                    |      |             |              |

| Ref. No. | Name of Parts              | Q'ty | Parts No.   | Assembly No. |
|----------|----------------------------|------|-------------|--------------|
| J'- 1    | Screw                      | 1    | 100080-0-04 | 148311-0-01  |
| J'- 2    | Washer                     | 1    | 025030-1-32 |              |
| J'- 3    | Screw                      | 1    | 100105-0-05 |              |
| J'- 4    | Presser Foot Hinge Spring  | 1    | 146887-0-01 |              |
| J'- 5    | Presser Foot Stitch Tongue | 1    | 148313-0-01 | 148311-0-01  |
| J'- 6    | Screw                      | 1    | 009639-3-12 |              |
| J'- 7    | Presser Foot (Rear)        | 1    | 146889-0-01 | 148311-0-01  |
| J'- 8    | Presser Foot (Front)       | 1    | 146888-0-01 |              |
| J'- 9    | Presser Foot               | 1    |             | 148311-0-01  |
| J'-10    | Needle Plate               | 1    |             |              |
| J'-11    | Tongue Plate               | 1    | 148354-0-01 | 148311-0-01  |
| J'-12    | Screw                      | 1    | 148355-0-01 |              |
| J'-13    | Lavel                      | 1    |             | 148311-0-01  |
| J'-14    | Screw Driver 2.3×40        | 1    | 148925-0-01 |              |

★All other parts except above-mentioned parts are the same as those for 001-.

★All other parts except above-mentioned parts are the same as those for 001-.

K. 008—○ (Ruffling)

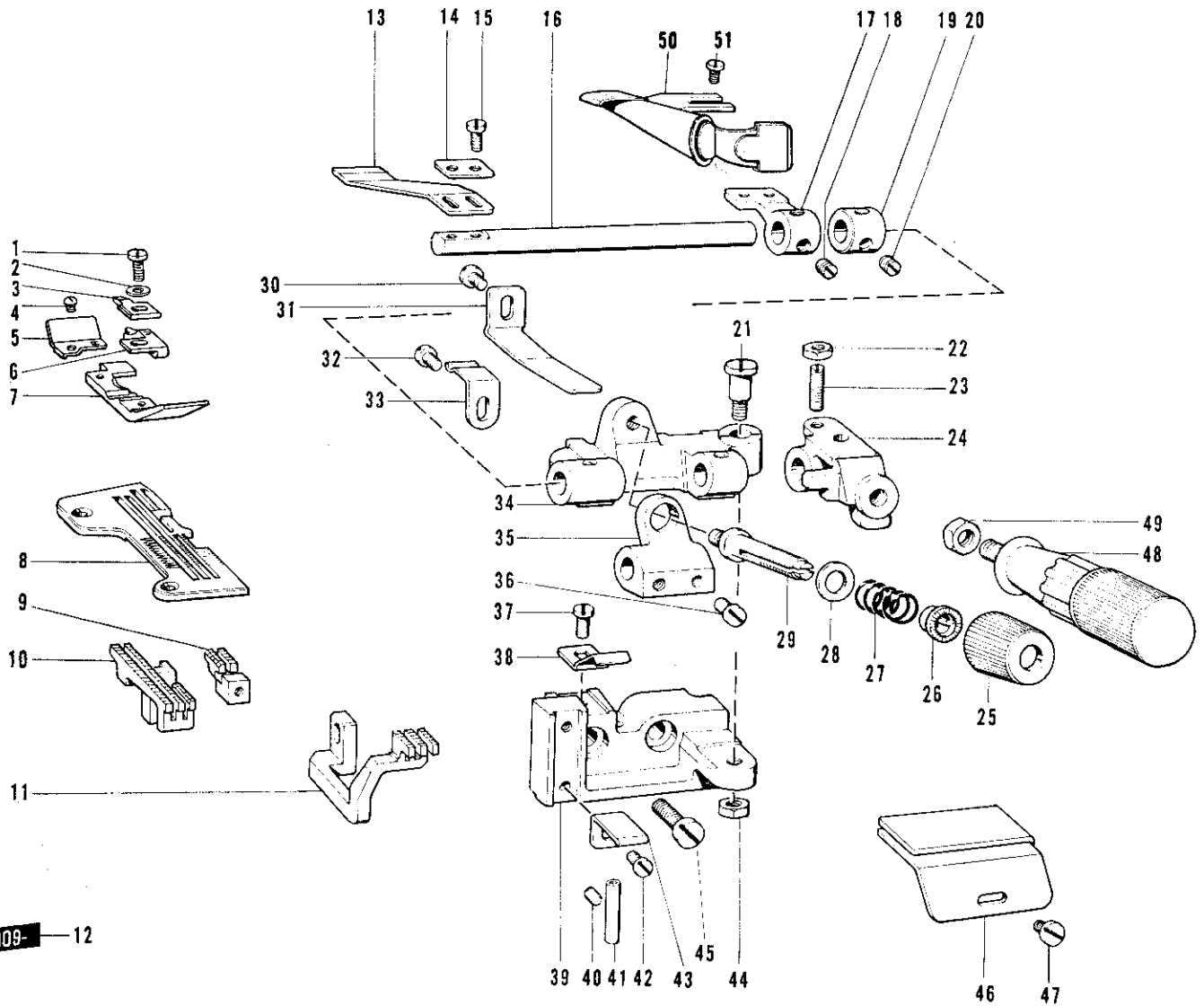


008—12

| Ref. No. | Name of Parts                 | Qty | Parts No.   | Assembly No. | Ref. No.             | Name of Parts                      | Qty         | Parts No.   | Assembly No. |
|----------|-------------------------------|-----|-------------|--------------|----------------------|------------------------------------|-------------|-------------|--------------|
| K-1      | Screw                         | 1   | 100080-0-04 | 144811-0-01  | K-26                 | Washer                             | 1           | 144105-0-00 | 146587-0-01  |
| K-2      | Washer                        | 1   | 025030-1-32 |              | K-27                 | Spring                             | 1           | 144788-0-01 |              |
| K-3      | Presser Foot Plate            | 1   | 144091-0-01 |              | K-28                 | Washer                             | 1           | 025770-2-32 |              |
| K-4      | Screw                         | 1   | 100105-0-05 |              | K-29                 | Looper Thread Tension Control Stud | 1           | 110820-0-01 |              |
| K-5      | Presser Foot Chain Shield     | 1   | 144100-0-01 |              | K-30                 | Screw                              | 1           | 009680-6-12 |              |
| K-6      | Presser Foot Stitch Tongue(U) | 1   | 144813-0-01 |              | K-31                 | Spring                             | 1           | 145811-0-01 |              |
| K-7      | Presser Foot (U)              | 1   |             |              | K-32                 | Screw                              | 1           | 001670-5-12 |              |
| K-8      | Needle Plate                  | 1   |             |              | K-33                 | Spring                             | 1           | 144764-0-01 |              |
| K-9      | Chain Feed Dog                | 1   | 148189-0-01 |              | K-34                 | Bracket for Ruffling Blade         | 1           |             |              |
| K-10     | Main Feed Dog                 | 1   | 148188-0-01 |              | K-35                 | Spring Base                        | 1           |             |              |
| K-11     | Differential Feed Dog         | 1   | 146751-0-01 |              | K-36                 | Screw                              | 2           | 105163-0-01 |              |
| K-12     | Lavel                         | 1   |             | K-37         | Screw                | 1                                  | 009680-6-12 |             |              |
| K-13     | Ruffling Blade                | 1   | 144783-0-01 | K-38         | Spring               | 1                                  | 145808-0-01 |             |              |
| K-14     | Washer                        | 1   | 144784-0-01 | K-39         | Ruffler Base         | 1                                  |             |             |              |
| K-15     | Screw                         | 2   | 009660-7-12 | K-40         | Ruffling Blade Guide | 2                                  | 145807-0-01 |             |              |
| K-16     | Ruffling Blade Base Shaft     | 1   | 145803-0-01 | K-41         | Screw                | 2                                  | 009680-8-12 |             |              |
| K-17     | Wrapper Base                  | 1   |             | K-42         | Screw                | 1                                  | 013679-4-12 |             |              |
| K-18     | Screw                         | 2   | 101706-0-01 | K-43         | Thread Guide Pipe    | 1                                  | 146592-0-01 |             |              |
| K-19     | Set Collar                    | 1   |             | K-44         | Nut                  | 1                                  | 021760-3-03 |             |              |
| K-20     | Screw                         | 2   | 101706-0-01 | K-45         | Screw                | 2                                  | 009781-8-12 |             |              |
| K-21     | Screw                         | 1   | 147933-0-01 | K-46         | Ruffler Guide        | 1                                  | 144793-0-00 |             |              |
| K-22     | Nut                           | 1   | 105234-0-03 | K-47         | Screw                | 1                                  | 112751-0-02 |             |              |
| K-23     | Screw                         | 1   | 110230-0-01 | K-48         | Handle               | 1                                  | 145809-0-01 |             |              |
| K-24     | Handle Fixing Plate           | 1   |             | K-49         | Nut                  | 1                                  | 021780-3-03 |             |              |
| K-25     | Thread Tension Adjusting Nut  | 1   | 144106-0-02 |              |                      |                                    |             |             |              |

★All other parts except above-mentioned parts are the same as those for 001—○.

L. 009—○ (Ruffling (W/Piping))



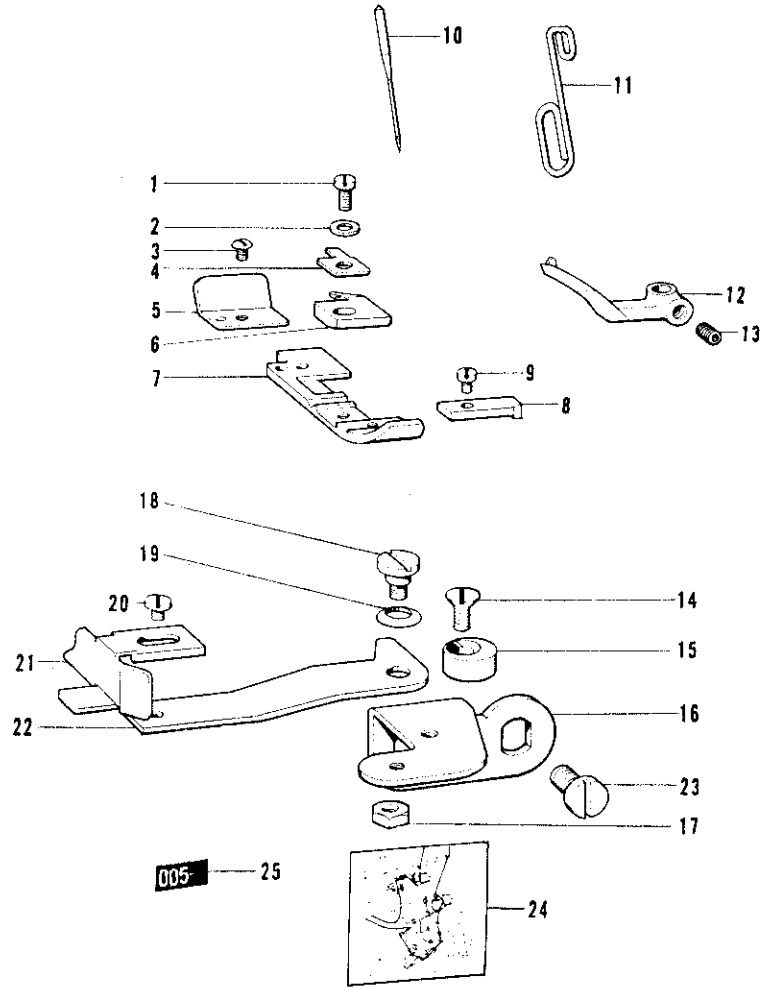
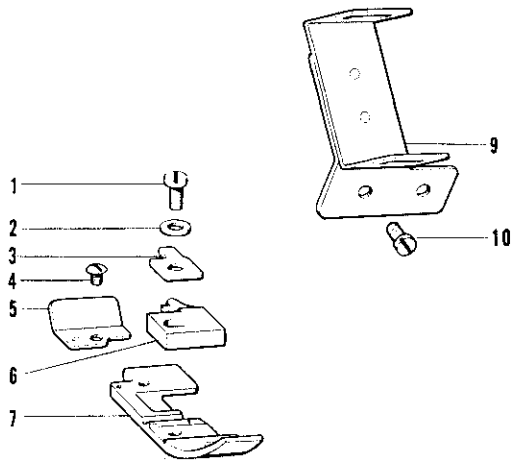
009-12

| Ref. No. | Name of Parts                 | Q'ty | Parts No.   | Assembly No. | Ref. No.             | Name of Parts                      | Q'ty        | Parts No.   | Assembly No. |
|----------|-------------------------------|------|-------------|--------------|----------------------|------------------------------------|-------------|-------------|--------------|
| L-1      | Screw                         | 1    | 100080-0-04 | 147433-0-01  | L-27                 | Spring                             | 1           | 144788-0-01 | 146587-0-01  |
| L-2      | Washer                        | 1    | 025030-1-32 |              | L-28                 | Washer 6.3                         | 1           | 025770-2-32 |              |
| L-3      | Presser Foot Plate            | 1    | 144091-0-01 |              | L-29                 | Looper Thread Tension Control Stud | 1           | 110820-0-01 |              |
| L-4      | Screw                         | 1    | 100105-0-05 |              | L-30                 | Screw                              | 1           | 009680-6-12 |              |
| L-5      | Presser Foot Chain Shield     | 1    | 144100-0-01 |              | L-31                 | Spring                             | 1           | 145811-0-01 |              |
| L-6      | Presser Foot Stitch Tongue(U) | 1    | 144813-0-01 |              | L-32                 | Screw                              | 1           | 001670-5-12 |              |
| L-7      | Presser Foot                  | 1    |             |              | L-33                 | Spring                             | 1           | 144764-0-01 |              |
| L-8      | Needle Plate                  | 1    |             |              | L-34                 | Bracket for Ruffling Blade         | 1           |             |              |
| L-9      | Chain Feed Dog                | 1    | 148753-0-01 |              | L-35                 | Spring Base                        | 1           |             |              |
| L-10     | Main Feed Dog                 | 1    | 148754-0-01 |              | L-36                 | Screw                              | 2           | 105163-0-01 |              |
| L-11     | Differential Feed Dog         | 1    | 146751-0-01 |              | L-37                 | Screw                              | 1           | 009680-6-12 |              |
| L-12     | Lavel                         | 1    |             | L-38         | Spring               | 1                                  | 145808-0-01 |             |              |
| L-13     | Ruffling Brade                | 1    | 144783-0-01 | L-39         | Ruffler Base         | 1                                  |             |             |              |
| L-14     | Washer                        | 1    | 144784-0-01 | L-42         | Screw                | 2                                  | 009680-8-12 |             |              |
| L-15     | Screw                         | 2    | 009660-7-12 | L-43         | Ruffling Blade Guide | 2                                  | 145807-0-01 |             |              |
| L-16     | Ruffling Blade Base Shaft     | 1    | 145803-0-01 | L-40         | Screw                | 1                                  | 013679-4-12 |             |              |
| L-17     | Wrapper Base                  | 1    |             | L-41         | Thread Guide Pipe    | 1                                  | 146592-0-01 |             |              |
| L-18     | Screw                         | 2    | 101706-0-01 | L-44         | Nut                  | 1                                  | 021760-3-03 |             |              |
| L-19     | Set Collar                    | 1    |             | L-45         | Screw                | 2                                  | 009781-8-12 |             |              |
| L-20     | Screw                         | 2    | 101706-0-01 | L-46         | Ruffler Guide        | 1                                  | 144793-0-00 |             |              |
| L-21     | Screw                         | 1    | 147933-0-01 | L-47         | Screw                | 1                                  | 112751-0-02 |             |              |
| L-22     | Nut                           | 1    | 105234-0-03 | L-48         | Handle               | 1                                  | 145809-0-01 |             |              |
| L-23     | Screw                         | 1    | 110230-0-01 | L-49         | Nut                  | 1                                  | 021780-3-03 |             |              |
| L-24     | Handle Fixing Plate           | 1    |             | L-50         | Wrapper Assembly     | 1                                  | 147440-0-00 |             |              |
| L-25     | Thread Tension Adjusting Nut  | 1    | 144106-0-02 | L-51         | Screw                | 1                                  | 009680-6-12 |             |              |
| L-26     | Washer                        | 1    | 144105-0-00 |              |                      |                                    |             |             |              |

★All other parts except above-mentioned parts are the same as those for 001—○.

**M. 010—○ (Thin, Medium Taping)**

**M. 005—○ (Serging)**



8 — 010-

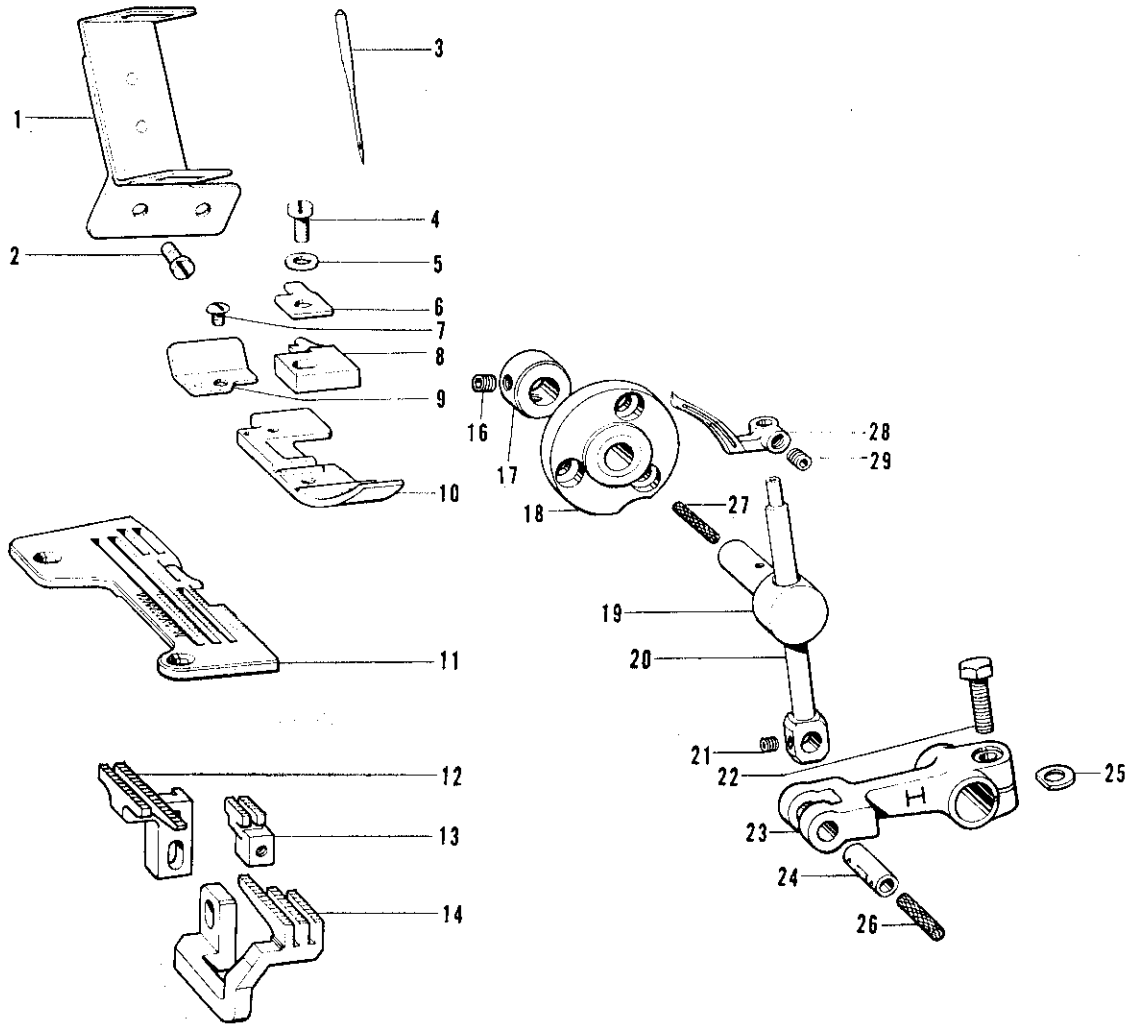
| Ref. No. | Name of Parts              | Q'ty | Parts No.   | Assembly No. |
|----------|----------------------------|------|-------------|--------------|
| M-1      | Screw                      | 1    | 100080-0-04 | 146895-0-01  |
| M-2      | Washer                     | 1    | 025030-1-32 |              |
| M-3      | Presser Foot Hinge Spring  | 1    | 146887-0-01 |              |
| M-4      | Screw                      | 1    | 100105-0-05 |              |
| M-5      | Presser Foot (Rear)        | 1    | 145774-0-01 |              |
| M-6      | Presser Foot Stitch Tongue | 1    | 146897-0-01 |              |
| M-7      | Presser Foot               | 1    |             |              |
| M-8      | Level                      | 1    |             |              |
| M-9      | Tape Guide                 | 1    | 146883-0-01 |              |
| M-10     | Screw                      | 2    | 009669-4-12 |              |

★All other parts except above-mentioned parts are the same as those for 001—○.

| Ref. No. | Name of Parts                 | Q'ty | Parts No.   | Assembly No. |
|----------|-------------------------------|------|-------------|--------------|
| M'-1     | Screw                         | 1    | 100080-0-04 | 146893-0-01  |
| M'-2     | Washer                        | 1    | 025030-1-32 |              |
| M'-3     | Screw                         | 1    | 100105-0-05 |              |
| M'-4     | Presser Foot Hinge Spring     | 1    | 146887-0-01 |              |
| M'-5     | Presser Foot (Rear)           | 1    | 146889-0-01 |              |
| M'-6     | Presser Foot Stitch Tongue    | 1    | 146894-0-01 |              |
| M'-7     | Presser Foot                  | 1    |             |              |
| M'-8     | Presser Foot (Front)          | 1    | 146888-0-01 |              |
| M'-9     | Screw                         | 1    | 009639-3-12 |              |
| M'-10    | Needle DC×1                   | 1    | 112297-0-14 |              |
| M'-11    | Needle Thread Take-up         | 1    | 142201-0-01 | 147935-0-01  |
| M'-12    | Over Spreader                 | 1    |             |              |
| M'-13    | Screw                         | 1    | 014680-4-22 | 146761-0-01  |
| M'-14    | Screw                         | 1    | 005710-8-12 |              |
| M'-15    | Presser Arm Stopper           | 1    | 144088-0-01 |              |
| M'-16    | Edge Hemming Ruller Supportor | 1    | 146599-0-01 |              |
| M'-17    | Nut                           | 1    | 021680-2-02 |              |
| M'-18    | Stud Screw                    | 1    | 146597-0-01 |              |
| M'-19    | Spring Washer                 | 1    | 146598-0-01 |              |
| M'-20    | Screw                         | 1    | 009679-3-12 |              |
| M'-21    | Edge Hemming Ruller           | 1    | 146762-0-01 |              |
| M'-22    | Edge Hemming Ruller Set Plate | 1    | 146596-0-01 |              |
| M'-23    | Screw                         | 2    | 110201-0-01 | 148092-0-01  |
| M'-24    | Threading Diagram             | 1    | 148092-0-01 |              |
| M'-25    | Level                         | 1    |             |              |

★All other parts except above-mentioned parts are the same as those for 001—○.

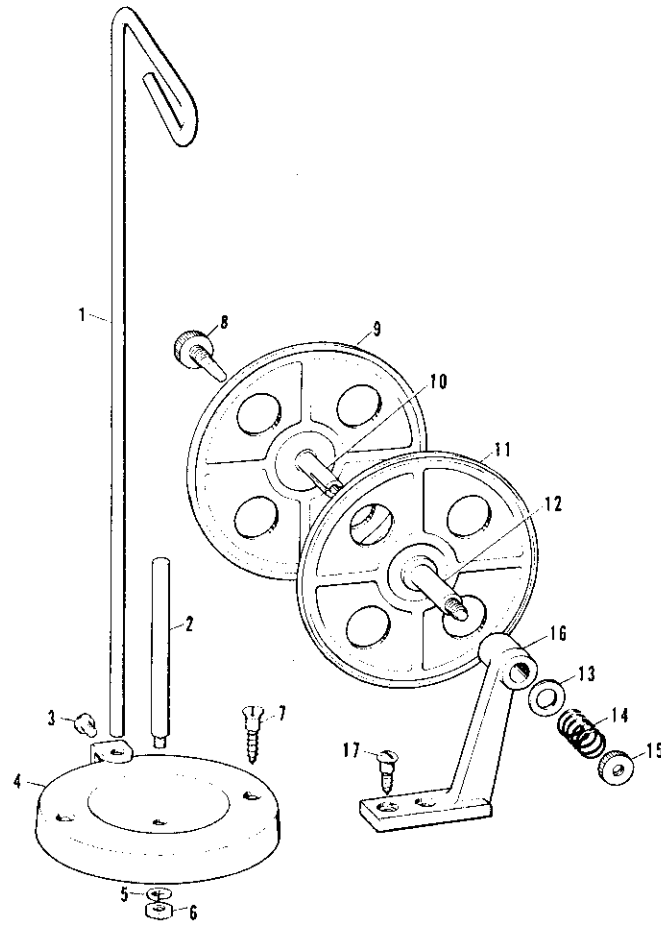
**N.** 011-○ (Bulky, Medium Taping)



| Ref. No. | Name of Parts             | Qty | Parts No.   | Assembly No. | Ref. No. | Name of Parts                 | Qty | Parts No.   | Assembly No. |
|----------|---------------------------|-----|-------------|--------------|----------|-------------------------------|-----|-------------|--------------|
| N-1      | Tape Guide                | 1   | 146883-0-01 |              | N-16     | Screw                         | 2   | 014680-4-22 |              |
| N-2      | Screw                     | 2   | 009669-4-12 |              | N-17     | Set Collar                    | 1   |             |              |
| N-3      | Needle DC×1               | 1   | 112297-0-14 |              | N-18     | Over Looper Holder Guide Base | 1   |             |              |
| N-4      | Screw                     | 1   | 100080-0-04 |              | N-19     | Over Looper Holder Guide Base | 1   |             |              |
| N-5      | Washer                    | 1   | 025030-1-32 |              | N-20     | Over Looper Holder            | 1   |             |              |
| N-6      | Presser Foot Hinge Spring | 1   | 146887-0-01 |              | N-21     | Screw                         | 1   | 146427-0-01 | 148217-0-01  |
| N-7      | Screw                     | 1   | 100105-0-05 | 146895-0-01  | N-22     | Bolt                          | 1   | 017761-6-12 |              |
| N-8      | Presser Foot Stich Tongue | 1   | 146900-0-01 |              | N-23     | Over Looper Driving Lever     | 1   |             |              |
| N-9      | Presser Foot (Rear)       | 1   | 145774-0-01 |              | N-24     | Over Looper Holding Shaft     | 1   |             |              |
| N-10     | Presser Foot              | 1   |             |              | N-25     | Spacer                        | 1   | 148783-0-01 |              |
| N-11     | Needle Plate              | 1   |             |              | N-26     | Wick                          | 1   | 108809-0-01 |              |
| N-12     | Main Feed Dog             | 1   | 148187-0-01 |              | N-27     | Wick                          | 1   | 148249-0-00 |              |
| N-13     | Chain Feed Dog            | 1   | 148189-0-01 |              | N-28     | Over Looper                   | 1   |             |              |
| N-14     | Differential Feed Dog     | 1   | 146750-0-01 |              | N-29     | Screw                         | 1   | 014680-4-22 | 147937-0-01  |
| N-15     | Lavel                     | 1   |             |              |          |                               |     |             |              |

★ All other parts except above-mentioned parts are the same as those for 001-○.

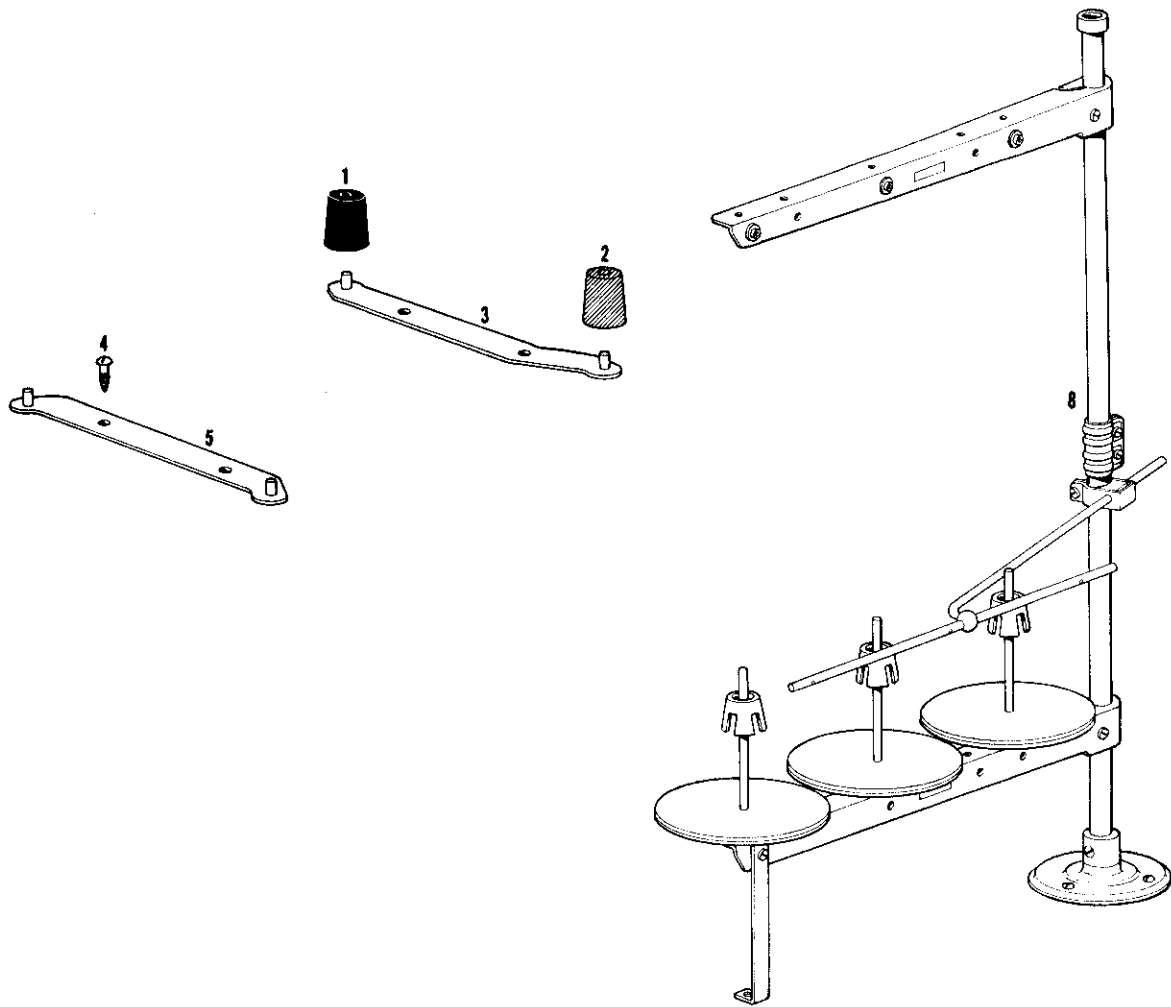
# P. Cord Guide



| Ref. No. | Name of Parts         | Q'ty | Parts No.   | Assembly No. |
|----------|-----------------------|------|-------------|--------------|
| P- 1     | Thread Guide          | 1    | 109853-0-01 |              |
| P- 2     | Spool Pin             | 1    | 100444-0-02 |              |
| P- 3     | Screw                 | 1    | 100080-0-02 | 109854-0-01  |
| P- 4     | Spool Stand Base      | 1    | 109852-0-01 |              |
| P- 5     | Washer                | 1    | 028050-2-42 |              |
| P- 6     | Nut                   | 1    | 110161-0-03 |              |
| P- 7     | Screw                 | 2    | 100447-0-01 | 181031-0-01  |
| P- 8     | Screw                 | 1    | 143980-0-01 |              |
| P- 9     | Tape Winder Wheel (L) | 1    |             | 143978-0-01  |
| P-10     | Tape Winder Shaft (L) | 1    |             |              |
| P-11     | Tape Winder Wheel (R) | 1    |             | 143976-0-01  |
| P-12     | Tape Winder Shaft (R) | 1    |             |              |
| P-13     | Washer                | 1    | 108494-0-01 |              |
| P-14     | Spring                | 1    | 108495-0-01 | 143767-0-02  |
| P-15     | Nut                   | 1    | 100136-0-01 |              |
| P-16     | Tape Winder Bracket   | 1    | 143750-0-02 |              |
| P-17     | Screw                 | 2    | 101118-0-01 |              |

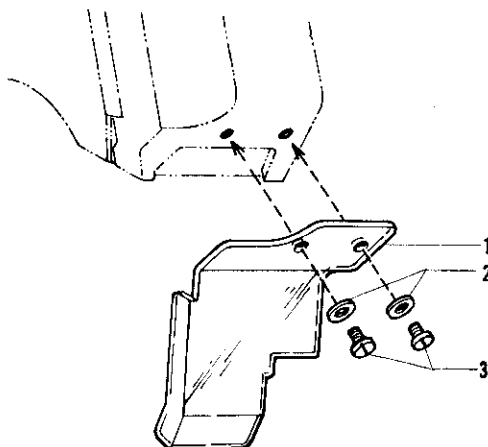
★Above-mentioned parts are accessory parts for B561-009-○·B571-037-○ Piping Ruffler.

## Z. Machine Head Plate and Spool Stand



| Ref. No. | Name of Parts         | Q'ty | Parts No.   | Assembly No. |
|----------|-----------------------|------|-------------|--------------|
| Z-1      | Rubber Cushion        | 1    | 147919-0-01 |              |
| Z-2      | Rubber cushion        | 3    | 147919-0-02 |              |
| Z-3      | Cushion Base (Right)  | 1    | 148290-0-01 |              |
| Z-4      | Screw                 | 4    | 034151-6-03 |              |
| Z-5      | Cushion Base (Left)   | 1    | 148292-0-01 |              |
| Z-8      | Cotton Stand Assembly | 1    | 150160-0-01 |              |

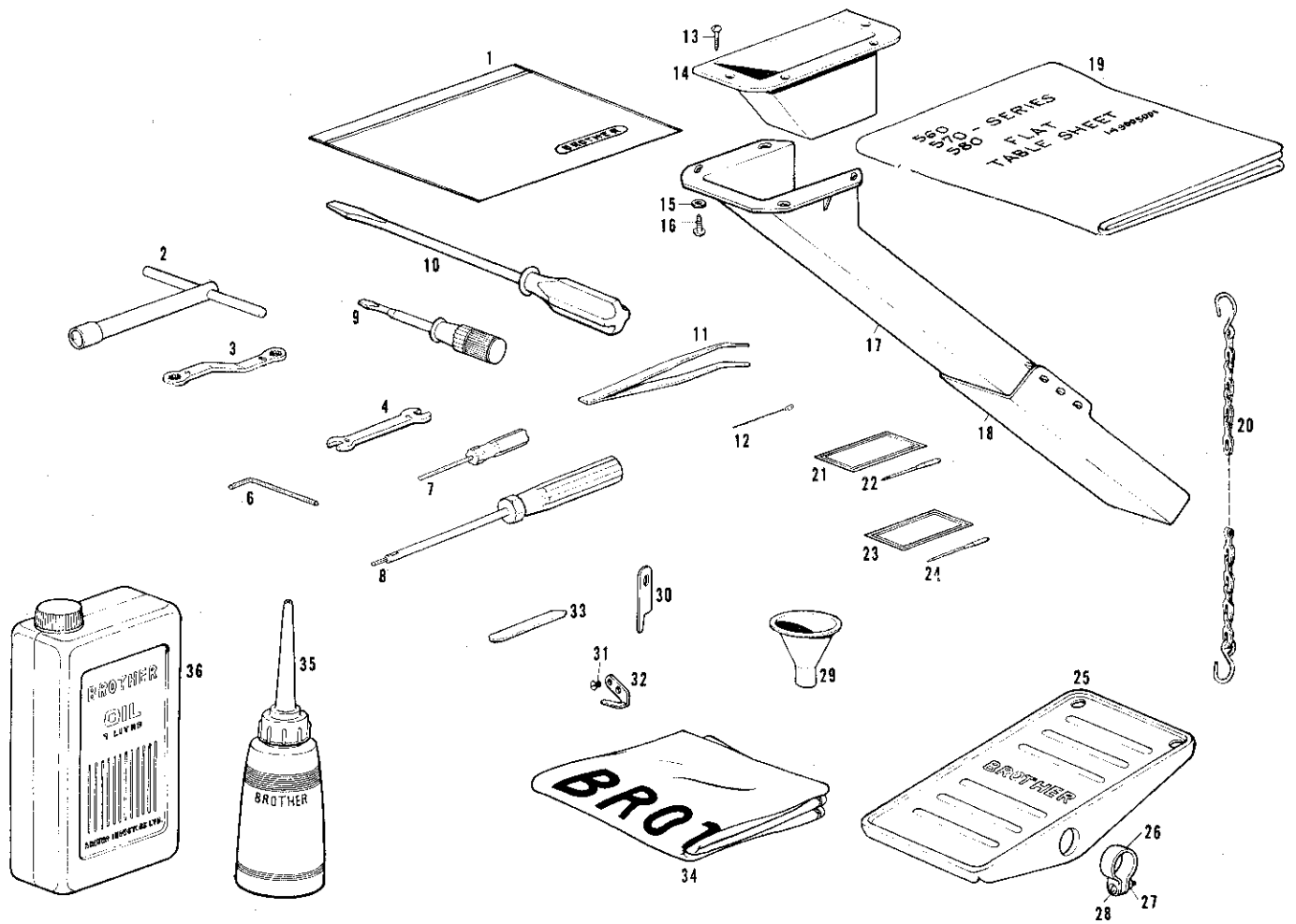
## Z'. Accessories



| Ref. No. | Name of Parts | Q'ty | Parts No.   | Assembly No. |
|----------|---------------|------|-------------|--------------|
| Z'-1     | Eye Guard     | 1    |             |              |
| Z'-2     | Washer        | 2    | 025030-2-32 | 151017-0-01  |
| Z'-3     | Screw         | 2    | 009660-5-12 |              |



## Y. Accessories



| Ref. No. | Name of Parts       | Q'ty | Parts No.   | Assembly No. | Ref. No. | Name of Parts    | Q'ty | Parts No.   | Assembly No. |
|----------|---------------------|------|-------------|--------------|----------|------------------|------|-------------|--------------|
| Y-1      | Vinyl Bag           |      | 122991-0-01 |              | Y-18     | Duster Shoot (S) |      | 148432-0-01 |              |
| Y-2      | Wrench              |      | 140342-0-01 |              | Y-19     | Table Sheet      |      | 149005-0-01 |              |
| Y-3      | Wrench              |      | 105343-0-01 |              | Y-20     | Chain Assembly   |      | 142262-0-01 |              |
| Y-4      | Spanner 6x7         |      | 107779-0-01 |              | Y-21     | Needle Bag       |      |             |              |
| Y-6      | Spanner 3           |      | 142721-0-01 |              | Y-22     | Needle DCx1      |      | 112297      |              |
| Y-7      | Screw Driver        |      | 144124-0-01 |              | Y-25     | Threadie Pedal   |      | 147893-0-01 |              |
| Y-8      | Allen Driver Wrench |      | 146700-0-01 |              | Y-26     | Pedal Stopper    |      | 116016-0-01 |              |
| Y-9      | Screw Driver        |      | 118837-0-01 |              | Y-27     | Nut              |      | 021400-1-06 |              |
| Y-10     | Screw Driver        |      | 101572-1-01 |              | Y-28     | Screw            |      | 001401-4-06 |              |
| Y-11     | Tweezers            |      | 117466-0-00 |              | Y-29     | Funnel           |      | 140759-0-00 |              |
| Y-12     | Threader            |      | 142125-0-00 |              | Y-30     | Upper Knife      |      | 148198-0-01 |              |
| Y-13     | Screw               |      | 031311-3-02 |              | Y-31     | Screw            |      | 141542-0-01 |              |
| Y-14     | Duster Drop         |      | 148430-0-01 |              | Y-32     | Trimming Knife   |      | 148259-0-01 |              |
| Y-15     | Screw               |      | 025680-2-32 |              | Y-33     | Lower Knife      |      | 112436-0-01 |              |
| Y-16     | Screw               |      | 009681-0-12 |              | Y-34     | Head Cover       |      | 144225-0-01 |              |
| Y-17     | Duster Shoot (L)    |      | 148431-0-01 |              | Y-35     | Oiler            |      | 114483-0-01 |              |
|          |                     |      |             |              | Y-36     | Oil Tank         |      | 145277-0-01 |              |

\* The details of included accessories are subject to change.

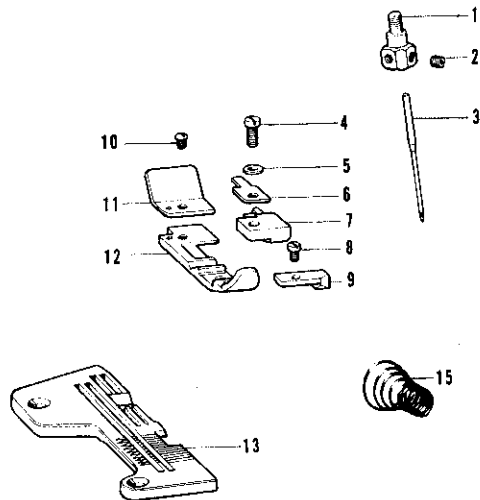
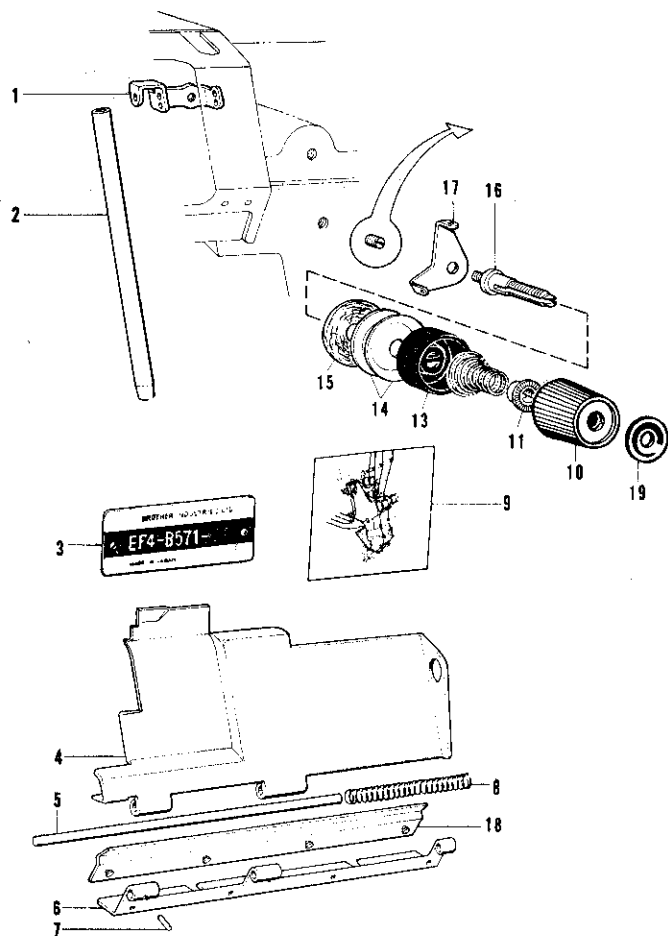
\* Änderungen in der Aufstellung der mitgelieferten Zubehöre sind vorbehalten.

\* Les détails des accessoires inclus sont sujets à des changements.

\* Los detalles de los accesorios incluidos pueden variar.

**a. Definite Parts for EF4-B571**

**b.** 021—○ Needle Width 1.8mm (Thin)



021 — 14

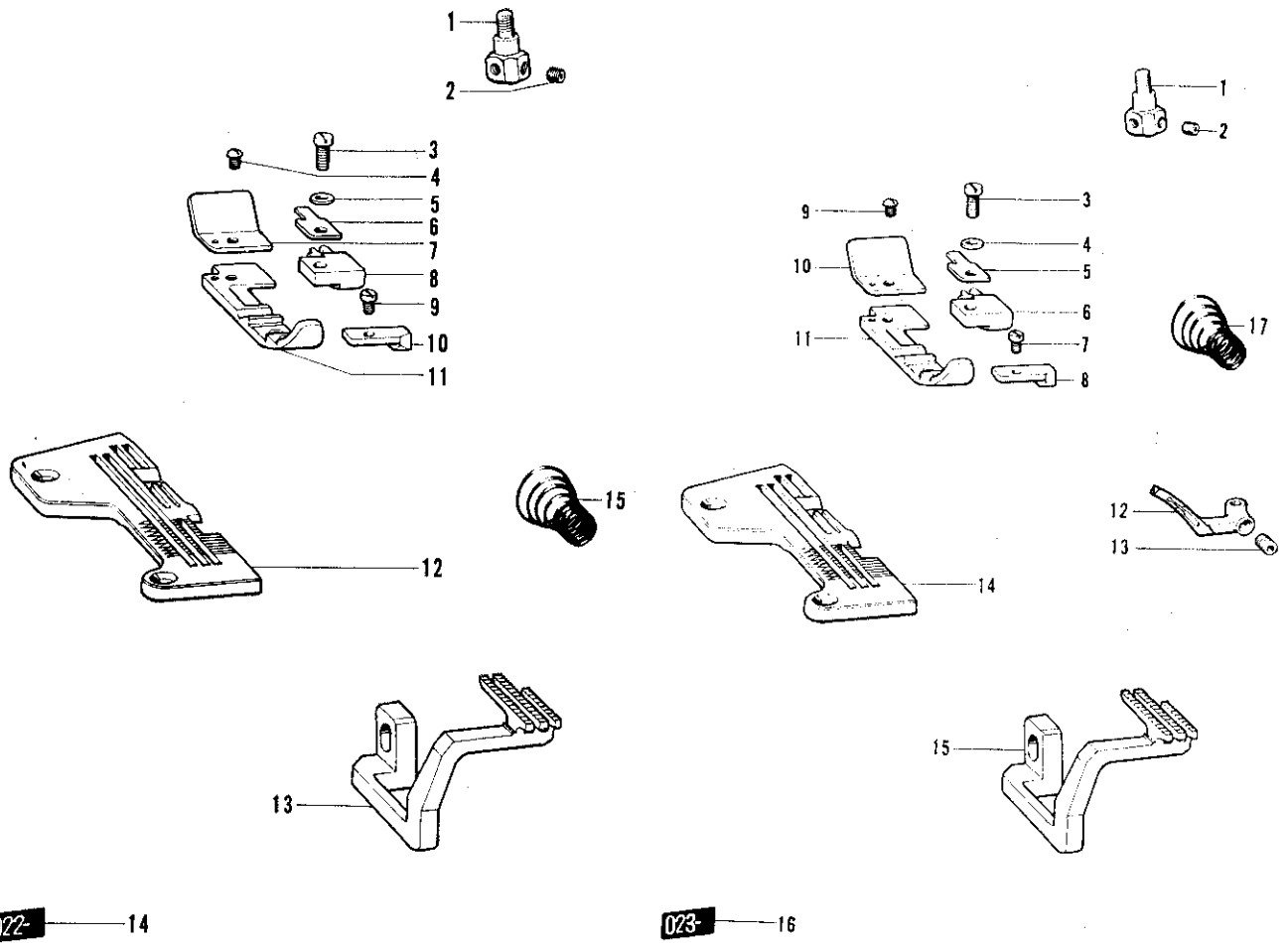
| Ref. No. | Name of Parts                      | Q'ty | Parts No.   | Assembly No. |
|----------|------------------------------------|------|-------------|--------------|
| a- 1     | Needle Thread Guide                | 1    | 146793-0-01 |              |
| a- 2     | Needle Bar                         | 1    | 146483-0-01 |              |
| a- 3     | Model Plate B571                   | 1    |             |              |
| a- 4     | Front Cover                        | 1    |             |              |
| a- 5     | Front Cover Hinge Shaft            | 1    | 146441-0-01 |              |
| a- 6     | Front Cover Hinge                  | 1    | 146440-0-01 | 148985-0-01  |
| a- 7     | Pin                                | 1    | 047140-8-42 |              |
| a- 8     | Spring                             | 1    | 146442-0-01 |              |
| a-18     | Hinge Cover                        | 1    | 148984-0-01 |              |
| a- 9     | Threading Diagram                  | 1    | 148098-0-01 |              |
| a-10     | Thread Tension Adjusting Nut       | 1    |             | 149568-0-01  |
| a-19     | Color Plate                        | 1    | 147049-0-01 |              |
| a-11     | Washer                             | 1    | 144105-0-00 |              |
| a-13     | Tension Disc Washer                | 1    | 144103-0-02 |              |
| a-14     | Tension Disc                       | 2    | 145446-0-01 |              |
| a-15     | Felt                               | 1    | 110832-0-01 |              |
| a-16     | Looper Thread Tension Control Stud | 1    | 110820-0-01 |              |
| a-17     | Needle Thread Guide Plate          | 1    | 110813-0-01 |              |

| Ref. No. | Name of Parts              | Q'ty | Parts No.   | Assembly No. |
|----------|----------------------------|------|-------------|--------------|
| b- 1     | Needle Clamp 1.8           | 1    |             | 146771-0-01  |
| b- 2     | Screw                      | 2    | 146427-0-01 |              |
| b- 3     | Needle DCx3                | 2    | 147838-0-11 |              |
| b- 4     | Screw                      | 1    | 100080-0-04 |              |
| b- 5     | Washer                     | 1    | 025030-1-32 |              |
| b- 6     | Presser Foot Hinge Spring  | 1    | 146887-0-01 | 146963-0-01  |
| b- 7     | Presser Foot Stitch Tongue | 1    | 146964-0-01 |              |
| b- 8     | Screw                      | 1    | 009639-3-12 |              |
| b- 9     | Presser Foot (Front)       | 1    | 146888-0-01 |              |
| b-10     | Screw                      | 1    | 100105-0-05 |              |
| b-11     | Presser Foot (Rear)        | 1    | 146889-0-01 |              |
| b-12     | Presser Foot               | 1    |             |              |
| b-13     | Needle Plate               | 1    |             |              |
| b-14     | Lavel                      | 1    |             |              |
| b-15     | Spring                     | 1    | 144104-0-01 |              |

★ a. Definite parts for B571 and the parts except above-mentioned parts are the same as 001—○(A~F).

c. 022—○ Needle Width 2.2mm  
(Thin, Medium)

d. 023—○ Needle Width 2.2mm  
(Thin, Medium)




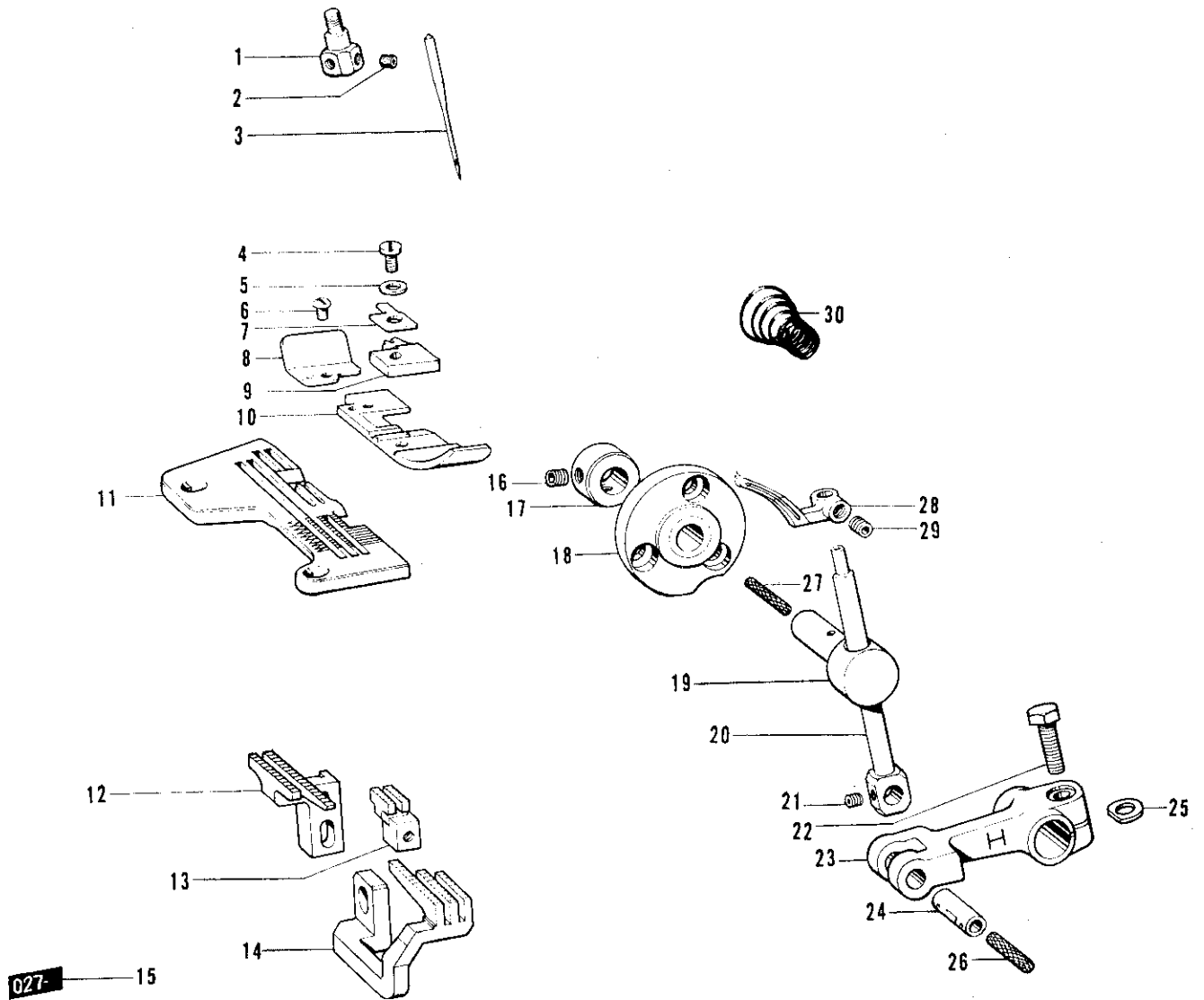
| Ref. No. | Name of Parts              | Q'ty | Parts No.   | Assembly No. |
|----------|----------------------------|------|-------------|--------------|
| c-1      | Needle Clamp 2.2           | 1    |             | 146773-0-01  |
| c-2      | Screw                      | 2    | 146427-0-01 |              |
| c-3      | Screw                      | 1    | 100080-0-04 | 146902-0-01  |
| c-4      | Screw                      | 1    | 100105-0-05 |              |
| c-5      | Washer                     | 1    | 025030-1-32 |              |
| c-6      | Presser Foot Hinge Spring  | 1    | 146887-0-01 |              |
| c-7      | Presser Foot (Rear)        | 1    | 146889-0-01 |              |
| c-8      | Presser Foot Stitch Tongue | 1    | 146903-0-01 |              |
| c-9      | Screw                      | 1    | 009639-3-12 |              |
| c-10     | Presser Foot (Front)       | 1    | 146888-0-01 |              |
| c-11     | Presser Foot               | 1    |             |              |
| c-12     | Needle Plate               | 1    |             |              |
| c-13     | Differential Feed Dog      | 1    | 146749-0-01 |              |
| c-14     | Lavel                      | 1    |             |              |
| c-15     | Spring                     | 1    | 144104-0-01 |              |

★a. Definite parts for B571 and the parts except above-mentioned parts are the same as 001—○(A~F).


| Ref. No. | Name of Parts              | Q'ty | Parts No.   | Assembly No. |
|----------|----------------------------|------|-------------|--------------|
| d-1      | Needle Clamp 2.2           | 1    |             | 146773-0-01  |
| d-2      | Screw                      | 2    | 146427-0-01 |              |
| d-3      | Screw                      | 1    | 100080-0-04 | 146902-0-01  |
| d-4      | Washer                     | 1    | 025030-1-32 |              |
| d-5      | Presser Foot Hinge Spring  | 1    | 146887-0-01 |              |
| d-6      | Presser Foot Stitch Tongue | 1    | 146903-0-01 |              |
| d-7      | Screw                      | 1    | 009639-3-12 |              |
| d-8      | Presser Foot (Front)       | 1    | 146888-0-01 |              |
| d-9      | Screw                      | 1    | 100105-0-05 |              |
| d-10     | Presser Foot (Rear)        | 1    | 146889-0-01 |              |
| d-11     | Presser Foot               | 1    |             |              |
| d-12     | Over Looper                | 1    |             |              |
| d-13     | Screw                      | 1    | 014680-4-22 | 147936-0-01  |
| d-14     | Needle Plate               | 1    |             |              |
| d-15     | Differential Feed Dog      | 1    | 146749-0-01 |              |
| d-16     | Lavel                      | 1    |             |              |
| d-17     | Spring                     | 1    | 144104-0-01 |              |

★a. Definite parts for B571 and the parts except above-mentioned parts are the same as 001—○(A~F).

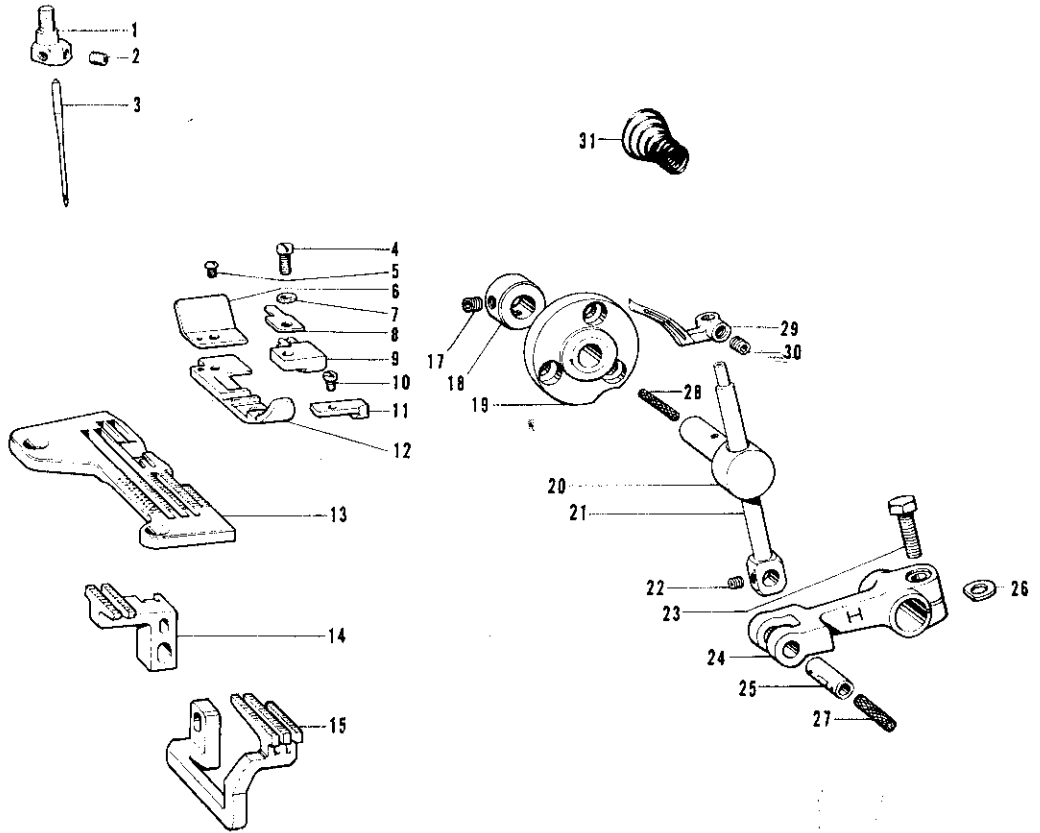
e. 027 —  Needle Width 2.2mm  
(Bulky Knit)



| Ref. No. | Name of Parts              | Q'ty | Parts No.   | Assembly No. | Ref. No.                       | Name of Parts | Q'ts        | Parts No.   | Assembly No. |
|----------|----------------------------|------|-------------|--------------|--------------------------------|---------------|-------------|-------------|--------------|
| e-1      | Needle Clamp 2.2           | 1    |             | 146773-0-01  | e-16                           | Screw         | 2           | 014680-4-22 | 148217-0-01  |
| e-2      | Screw                      | 2    | 146427-0-01 |              | e-17                           | Set Collar    | 1           |             |              |
| e-3      | Needle DC×1                | 2    | 112297-0-14 | e-18         | Over Looper Holder Guide Base  | 1             |             |             |              |
| e-4      | Screw                      | 1    | 100080-0-04 | e-19         | Over Looper Holder Guide Block | 1             |             |             |              |
| e-5      | Washer                     | 1    | 025030-1-32 | e-20         | Over Looper Holder             | 1             |             |             |              |
| e-6      | Screw                      | 1    | 100105-0-05 | e-21         | Screw                          | 1             | 146427-0-01 |             |              |
| e-7      | Presser Foot Hinge Spring  | 1    | 146887-0-01 | e-22         | Bolt                           | 1             | 017761-6-12 |             |              |
| e-8      | Presser Foot (Rear)        | 1    | 145774-0-01 | e-23         | Over Looper Driving Lever      | 1             |             |             |              |
| e-9      | Presser Foot Stitch Tongue | 1    | 146905-0-01 | e-24         | Over Looper Holding Shaft      | 1             |             |             |              |
| e-10     | Presser Foot               | 1    |             | e-25         | Spacer                         | 1             | 148783-0-01 |             |              |
| e-11     | Needle Plate               | 1    |             | e-26         | Wick                           | 1             | 108809-0-01 | 147937-0-01 |              |
| e-12     | Main Feed Dog              | 1    | 148187-0-01 | e-27         | Wick                           | 1             | 148249-0-00 |             |              |
| e-13     | Chain Feed Dog             | 1    | 148189-0-01 | e-28         | Over Looper                    | 1             |             |             |              |
| e-14     | Differential Feed Dog      | 1    | 146750-0-01 | e-29         | Screw                          | 1             | 014680-4-22 |             |              |
| e-15     | Level                      | 1    |             | e-30         | Spring                         | 1             | 144104-0-01 |             |              |

★a. Definite parts for B571 and the parts except above-mentioned parts are the same as 001 —  (A~F).

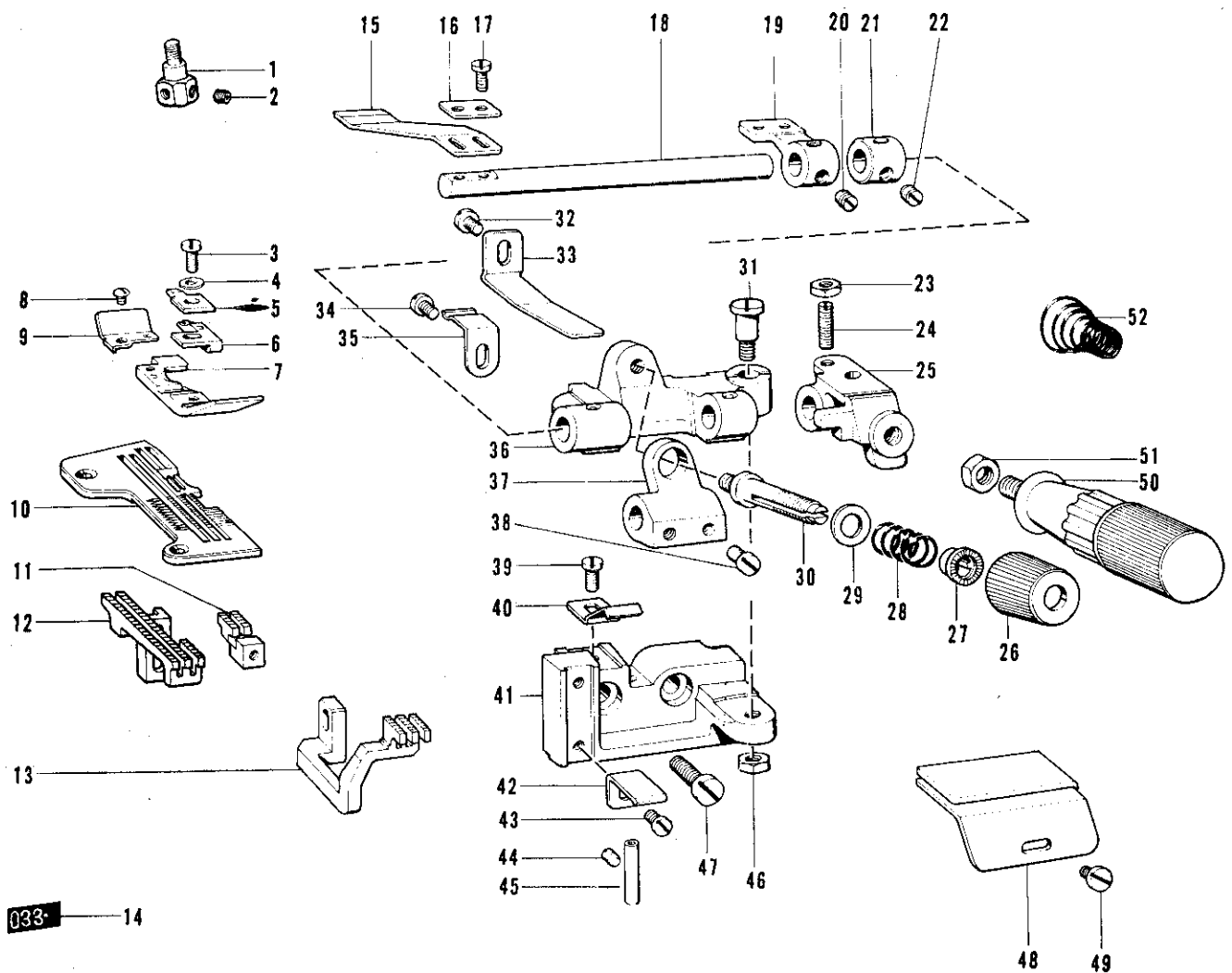
f. 031—○ Needle Width 3mm  
(Extra Heavy)



| Ref. No. | Name of Parts              | Q'ty | Parts No.   | Assembly No. | Ref. No. | Name of Parts                  | Q'ty | Parts No.   | Assembly No. |
|----------|----------------------------|------|-------------|--------------|----------|--------------------------------|------|-------------|--------------|
| f-1      | Needle Clamp 3             | 1    |             | 146775-0-01  | f-16     | Lavel                          | 1    |             |              |
| f-2      | Screw                      | 2    | 146427-0-01 |              | f-17     | Screw                          | 2    | 014680-4-22 |              |
| f-3      | Needle DC×1                | 2    | 112297-0-21 |              | f-18     | Set Collar                     | 1    |             |              |
| f-4      | Screw                      | 1    | 100080-0-04 |              | f-19     | Over Looper Holder Guide Base  | 1    |             |              |
| f-5      | Screw                      | 1    | 100105-0-05 |              | f-20     | Over Looper Holder Guide Block | 1    |             |              |
| f-6      | Presser Foot (Rear)        | 1    | 146889-0-01 |              | f-21     | Over Looper Holder             | 1    |             |              |
| f-7      | Washer                     | 1    | 025030-1-32 |              | f-22     | Screw                          | 1    | 146427-0-01 | 148217-0-01  |
| f-8      | Presser Foot Hinge Spring  | 1    | 146887-0-01 | 146965-0-01  | f-23     | Bolt                           | 1    | 017761-6-12 |              |
| f-9      | Presser Foot Stitch Tongue | 1    | 146966-0-01 |              | f-24     | Over Looper Driving Lever      | 1    |             |              |
| f-10     | Screw                      | 1    | 009639-3-12 |              | f-25     | Over Looper Holding Shaft      | 1    |             |              |
| f-11     | Presser Foot               | 1    | 146888-0-01 |              | f-26     | Spacer                         | 1    | 148783-0-01 |              |
| f-12     | Presser Foot               | 1    |             |              | f-27     | Wick                           | 1    | 108809-0-01 |              |
| f-13     | Needle Plate               | 1    |             |              | f-28     | Wick                           | 1    | 148249-0-00 |              |
| f-14     | Main Feed Dog              | 1    | 146790-0-01 |              | f-29     | Over Looper                    | 1    |             |              |
| f-15     | Differential Feed Dog      | 1    | 146791-0-01 |              | f-30     | Screw                          | 1    | 014680-4-22 | 147937-0-01  |
|          |                            |      |             |              | f-31     | Spring                         | 2    | 148851-0-01 |              |


★a. Definite parts for B571 and the parts except above-mentioned parts are the same as 001—○(A~F).

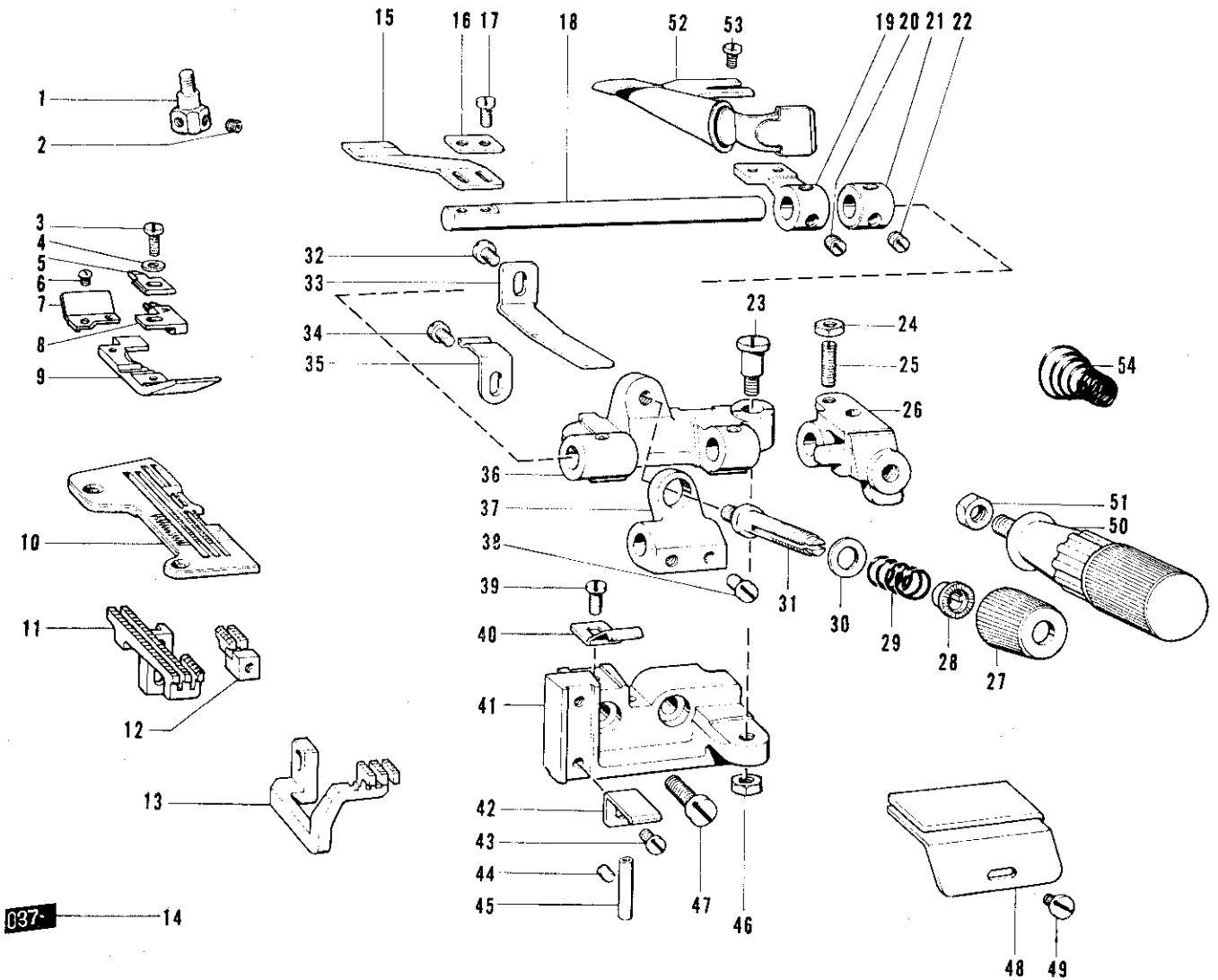
g. 033—○ Needle Width 2.2mm (Ruffling)



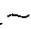
| Ref. No. | Name of Parts                  | Q'ty | Parts No.   | Assembly No. | Ref. No.             | Name of Parts                      | Q'ty        | Parts No.   | Assembly No. |
|----------|--------------------------------|------|-------------|--------------|----------------------|------------------------------------|-------------|-------------|--------------|
| g-1      | Needle Clamp 2.2               | 1    |             | 146773-0-01  | g-27                 | Washer                             | 1           | 144105-0-00 | 146587-0-01  |
| g-2      | Screw                          | 2    | 146427-0-01 |              | g-28                 | Spring                             | 1           | 144788-0-01 |              |
| g-3      | Screw                          | 1    | 100080-0-04 | 144815-0-01  | g-29                 | Washer                             | 1           | 025770-2-32 |              |
| g-4      | Washer                         | 1    | 025030-1-32 |              | g-30                 | Looper Thread Tension Control Stud | 1           | 110820-0-01 |              |
| g-5      | Presser Foot Plate             | 1    | 144091-0-01 |              | g-31                 | Screw                              | 1           | 147933-0-01 |              |
| g-6      | Presser Foot Stitch Tongue (U) | 1    | 144816-0-01 |              | g-32                 | Screw                              | 1           | 009680-6-12 |              |
| g-7      | Presser Foot (U)               | 1    |             |              | g-33                 | Spring                             | 1           | 145811-0-01 |              |
| g-8      | Screw                          | 1    | 100105-0-05 |              | g-34                 | Screw                              | 1           | 001670-5-12 |              |
| g-9      | Presser Foot Chain Shield      | 1    | 144100-0-01 |              | g-35                 | Spring                             | 1           | 144764-0-01 |              |
| g-10     | Needle Plate                   | 1    |             |              | g-36                 | Bracket for Ruffling Blade         | 1           | 146588-0-01 |              |
| g-11     | Chain Feed Dog                 | 1    | 148189-0-01 |              | g-37                 | Spring Base                        | 1           |             |              |
| g-12     | Main Feed Dog                  | 1    | 148188-0-01 |              | g-38                 | Screw                              | 2           | 105163-0-01 |              |
| g-13     | Differential Feed Dog          | 1    | 146751-0-01 | g-39         | Screw                | 1                                  | 009680-6-12 |             |              |
| g-14     | Lavel                          | 1    |             | g-40         | Spring               | 1                                  | 145808-0-01 |             |              |
| g-15     | Ruffling Blade                 | 1    | 144783-0-01 | g-41         | Ruffler Base         | 1                                  |             |             |              |
| g-16     | Washer                         | 1    | 144784-0-01 | g-42         | Ruffling Blade Guide | 2                                  | 145807-0-01 |             |              |
| g-17     | Screw                          | 2    | 009660-7-12 | g-43         | Screw                | 2                                  | 009680-8-12 |             |              |
| g-18     | Ruffling Blade Base Shaft      | 1    | 145803-0-01 | g-44         | Screw                | 1                                  | 013679-4-12 |             |              |
| g-19     | Wrapper Base                   | 1    |             | g-45         | Thread Guide Pipe    | 1                                  | 146592-0-01 |             |              |
| g-20     | Screw                          | 2    | 101706-0-01 | g-46         | Nut                  | 1                                  | 021760-3-03 |             |              |
| g-21     | Set Collar                     | 1    |             | g-47         | Screw                | 2                                  | 009781-8-12 |             |              |
| g-22     | Screw                          | 2    | 101706-0-01 | g-48         | Ruffler Guide        | 1                                  | 144793-0-00 |             |              |
| g-23     | Nut                            | 1    | 105234-0-03 | g-49         | Screw                | 1                                  | 112751-0-02 |             |              |
| g-24     | Screw                          | 1    | 110230-0-01 | g-50         | Handle               | 1                                  | 145809-0-01 |             |              |
| g-25     | Handle Fixing Plate            | 1    |             | g-51         | Nut                  | 1                                  | 021780-3-03 |             |              |
| g-26     | Thread Tension Adjusting Nut   | 1    | 144106-0-02 | g-52         | Spring               | 1                                  | 144104-0-01 |             |              |

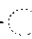
★a. Definite parts for B571 and the parts except above-mentioned parts are the same as 001 —○(A~F).


h. 037 —  Needle Width 2.2mm  
(Ruffling (W/Piping)).

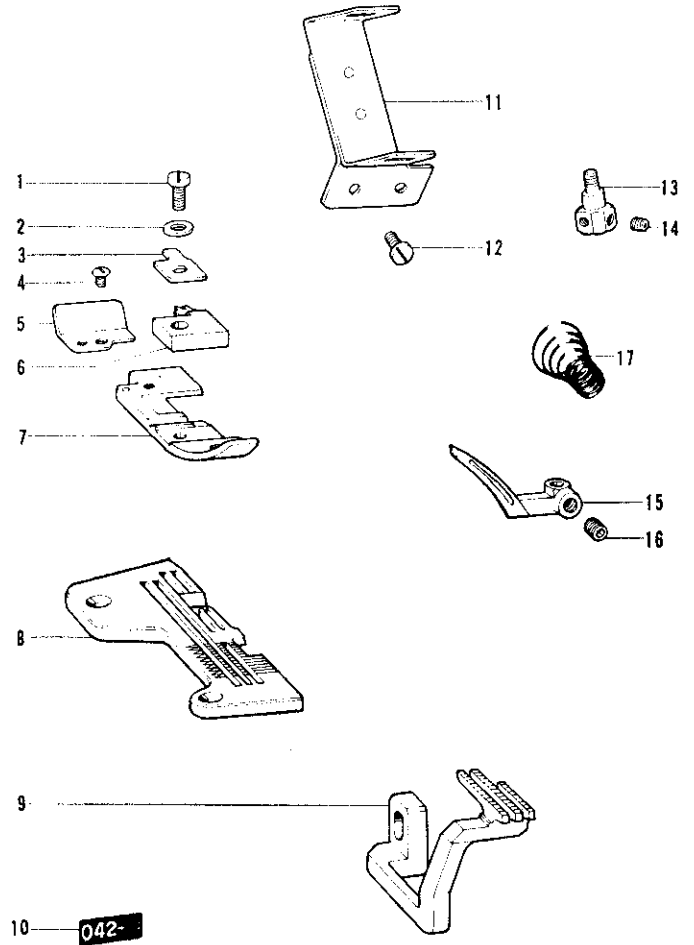
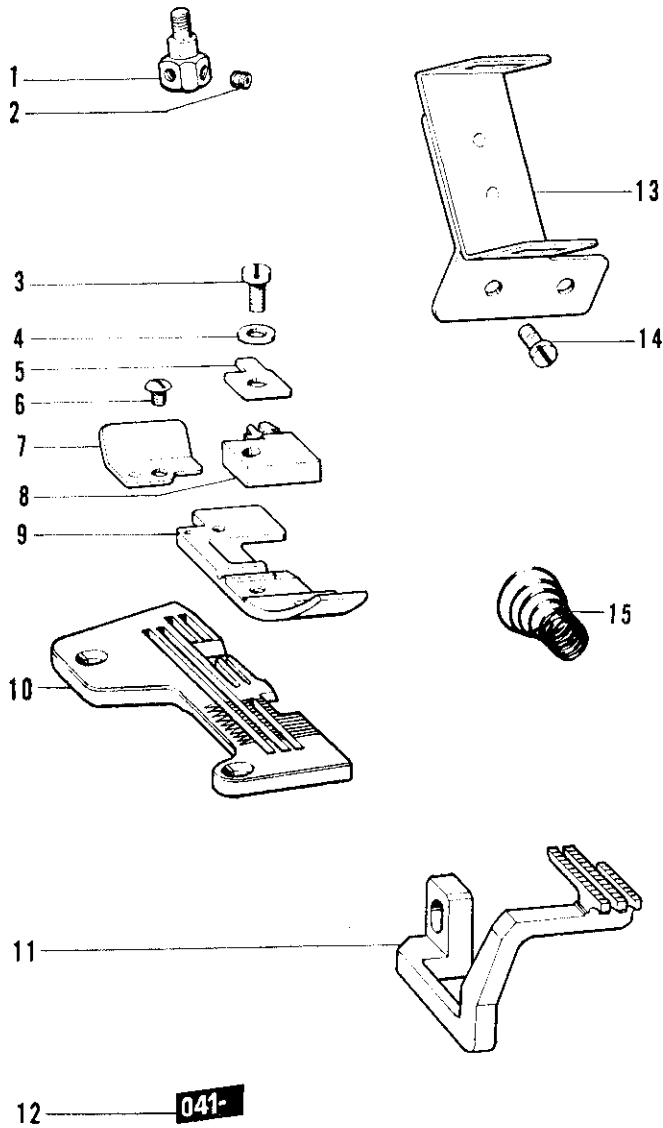


| Ref. No. | Name of Parts                  | Q'ty | Parts No.   | Assembly No. | Ref. No. | Name of Parts                      | Q'ty | Parts No.   | Assembly No. |
|----------|--------------------------------|------|-------------|--------------|----------|------------------------------------|------|-------------|--------------|
| h-1      | Needle Clamp 2.2               | 1    |             | 146773-0-01  | h-28     | Washer                             | 1    | 144105-0-00 |              |
| h-2      | Screw                          | 2    | 146427-0-01 |              | h-29     | Spring                             | 1    | 144788-0-01 |              |
| h-3      | Screw                          | 1    | 100080-0-04 |              | h-30     | Washer 6.35                        | 1    | 025770-2-32 |              |
| h-4      | Washer                         | 1    | 025030-1-32 |              | h-31     | Looper Thread Tension Control Stud | 1    | 110820-0-01 |              |
| h-5      | Presser Foot Plate             | 1    | 144091-0-01 | 147439-0-01  | h-32     | Screw                              | 1    | 009680-6-12 |              |
| h-6      | Screw                          | 1    | 100105-0-05 |              | h-33     | Spring                             | 1    | 145811-0-01 |              |
| h-7      | Presser Foot Chain Shield      | 1    | 144100-0-01 |              | h-34     | Screw                              | 1    | 001670-5-12 |              |
| h-8      | Presser Foot Stitch Tongue (V) | 1    | 144816-0-01 |              | h-35     | Spring                             | 1    | 144764-0-01 |              |
| h-9      | Presser Foot                   | 1    |             |              | h-36     | Bracket for Ruffling Blade         | 1    | 146588-0-01 |              |
| h-10     | Needle Plate                   | 1    |             |              | h-37     | Spring Base                        | 1    |             | 146587-0-01  |
| h-11     | Main Feed Dog                  | 1    | 148754-0-01 |              | h-38     | Screw                              | 2    | 105163-0-01 |              |
| h-12     | Chain Feed Dog                 | 1    | 148753-0-01 |              | h-39     | Screw                              | 1    | 009680-6-12 |              |
| h-13     | Differential Feed Dog          | 1    | 146751-0-01 |              | h-40     | Spring                             | 1    | 145808-0-01 |              |
| h-14     | Lavel                          | 1    |             |              | h-41     | Ruffler Base                       | 1    |             |              |
| h-15     | Ruffling Blade                 | 1    | 144783-0-01 |              | h-42     | Ruffling Blade Guide               | 2    | 145807-0-01 |              |
| h-16     | Washer                         | 1    | 144784-0-01 |              | h-43     | Screw                              | 2    | 009680-8-12 |              |
| h-17     | Screw                          | 2    | 009660-7-12 |              | h-44     | Screw                              | 1    | 013679-4-12 |              |
| h-18     | Ruffling Blade Base Shaft      | 1    | 145803-0-01 |              | h-45     | Thread Guide Pipe                  | 1    | 146592-0-01 |              |
| h-19     | Wrapper Base                   | 1    |             |              | h-46     | Nut                                | 1    | 021760-3-03 |              |
| h-20     | Screw                          | 2    | 101706-0-01 |              | h-47     | Screw                              | 2    | 009781-8-12 |              |
| h-21     | Set Collar                     | 1    |             | 181995-0-02  | h-48     | Ruffer Guide                       | 1    | 144793-0-00 |              |
| h-22     | Screw                          | 2    | 101706-0-01 |              | h-49     | Screw                              | 1    | 112751-0-02 |              |
| h-23     | Screw                          | 1    | 147933-0-01 |              | h-50     | Handle                             | 1    | 145809-0-01 |              |
| h-24     | Nut                            | 1    | 105234-0-03 | 146587-0-01  | h-51     | Nut                                | 1    | 021780-3-03 |              |
| h-25     | Screw                          | 1    | 110230-0-01 |              | h-52     | Wrapper                            | 1    | 147440-0-00 |              |
| h-26     | Handle Fixing Plate            | 1    |             |              | h-53     | Screw                              | 2    | 009680-6-12 |              |
| h-27     | Thread Tension Adjusting Nut   | 1    | 144106-0-02 |              | h-54     | Spring                             | 1    | 144104-0-01 |              |

★a. Definite parts for B571 and the parts except above-mentioned parts are the same as 001 —  (A~F).

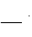
j. 041 —  Needle Width 2.2mm  
(Thin, Medium Taping)

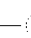
j'. 042 —  Needle Width 2.2mm  
(Thin, Medium Taping)



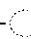
| Ref. No. | Name of Parts              | Q'ty | Parts No.   | Assembly No. |
|----------|----------------------------|------|-------------|--------------|
| j-1      | Needle Clamp 2.2           | 1    |             | 146773-0-01  |
| j-2      | Screw                      | 2    | 146427-0-01 |              |
| j-3      | Screw                      | 1    | 100080-0-04 |              |
| j-4      | Washer                     | 1    | 025030-1-32 |              |
| j-5      | Presser Foot Hinge Spring  | 1    | 146887-0-01 |              |
| j-6      | Screw                      | 1    | 100105-0-05 |              |
| j-7      | Presser Foot (Rear)        | 1    | 145774-0-01 |              |
| j-8      | Presser Foot Stitch Tongue | 1    | 146907-0-01 |              |
| j-9      | Presser Foot               | 1    |             |              |
| j-10     | Needle Plate               | 1    |             |              |
| j-11     | Differential Feed Dog      | 1    | 146749-0-01 |              |
| j-12     | Level                      | 1    |             |              |
| j-13     | Tape Guide                 | 1    | 146883-0-01 |              |
| j-14     | Screw                      | 2    | 009669-4-12 |              |
| j-15     | Spring                     | 1    | 144104-0-01 |              |

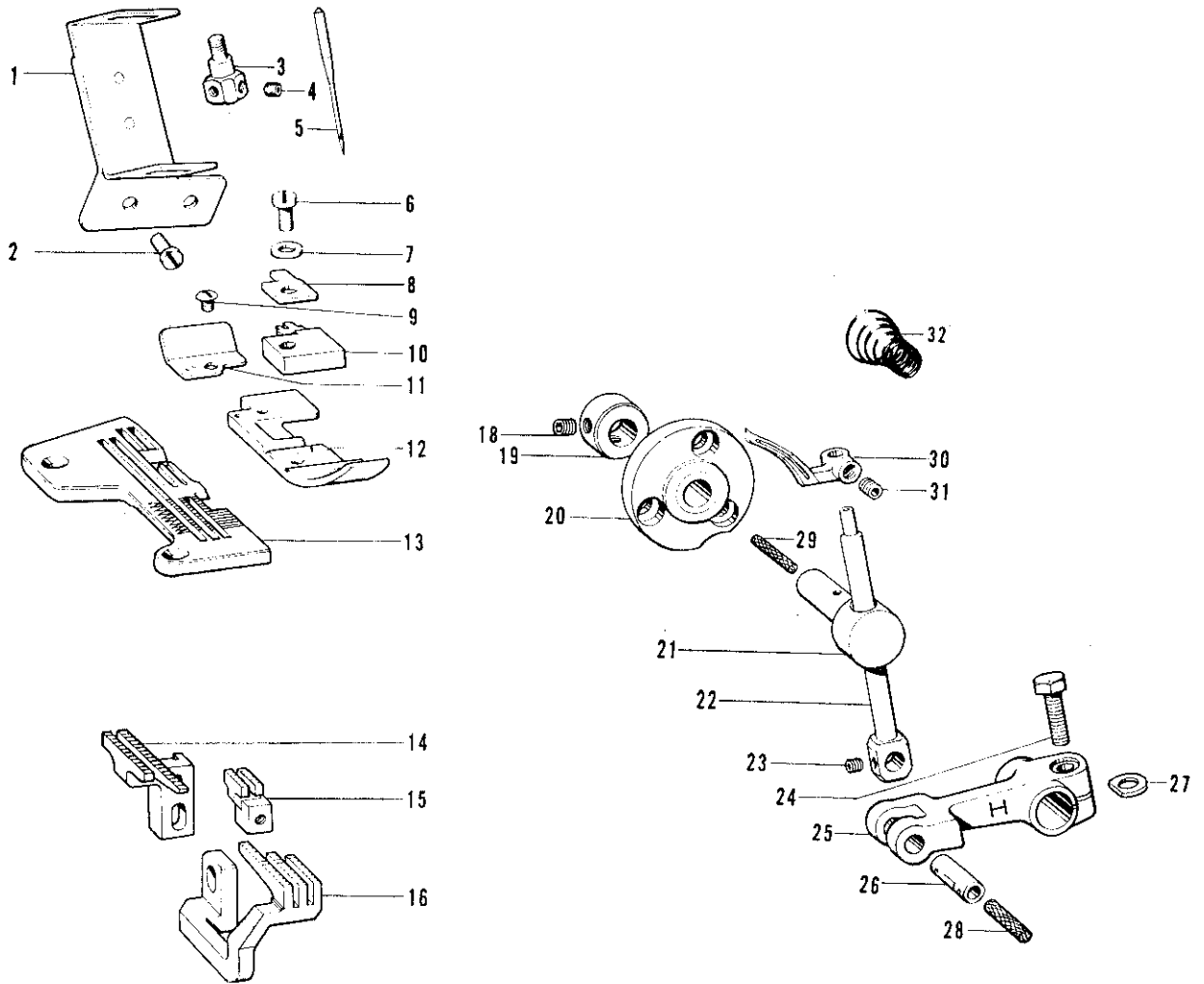
| Ref. No. | Name of Parts              | Q'ty | Parts No.   | Assembly No. |
|----------|----------------------------|------|-------------|--------------|
| j'-1     | Screw                      | 1    | 100080-0-04 | 146906-0-01  |
| j'-2     | Washer                     | 1    | 025030-1-32 |              |
| j'-3     | Presser Foot Hinge Spring  | 1    | 146887-0-01 |              |
| j'-4     | Screw                      | 1    | 100105-0-05 |              |
| j'-5     | Presser Foot (Rear)        | 1    | 145774-0-01 |              |
| j'-6     | Presser Foot Stitch Tongue | 1    | 146907-0-01 |              |
| j'-7     | Presser Foot               | 1    |             |              |
| j'-8     | Needle Plate               | 1    |             |              |
| j'-9     | Differential Feed Dog      | 1    | 146749-0-01 |              |
| j'-10    | Level                      | 1    |             |              |
| j'-11    | Tape Guide                 | 1    | 146883-0-01 |              |
| j'-12    | Screw                      | 2    | 009669-4-12 |              |
| j'-13    | Needle Clamp 2.2           | 1    |             |              |
| j'-14    | Screw                      | 2    | 146427-0-01 |              |
| j'-15    | Over Looper                | 1    |             |              |
| j'-16    | Screw                      | 1    | 014680-4-22 |              |
| j'-17    | Spring                     | 1    | 144104-0-01 |              |

★a. Definite parts for B571 and the parts except above-mentioned parts are the same as 001 —  (A~F).


★a. Definite parts for B571 and the parts except above-mentioned parts are the same as 001 —  (A~F).



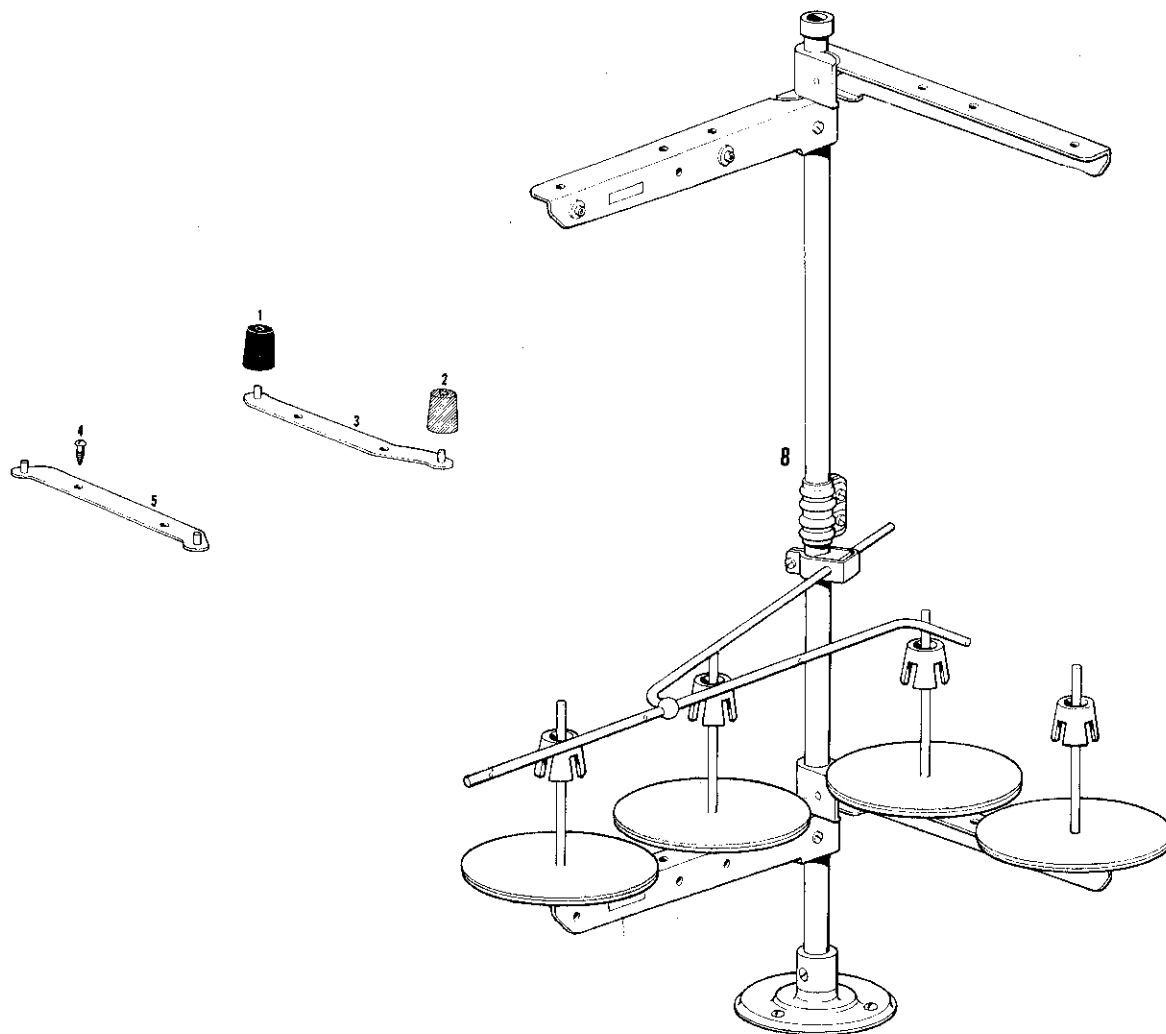
k. 045 —  Needle Width 2.2mm  
(Bulky Knit Taping)



| Ref. No. | Name of Parts              | Qty | Parts No.   | Assembly No. | Ref. No. | Name of Parts                  | Qty | Parts No.   | Assembly No. |
|----------|----------------------------|-----|-------------|--------------|----------|--------------------------------|-----|-------------|--------------|
| k-1      | Tape Guide                 | 1   | 146883-0-01 |              | k-17     | Lavel                          | 1   |             |              |
| k-2      | Screw                      | 2   | 009669-4-12 |              | k-18     | Screw                          | 2   | 014680-4-22 |              |
| k-3      | Needle Clamp 2.2           | 1   |             | 146773-0-01  | k-19     | Set Collar                     | 1   |             |              |
| k-4      | Screw                      | 2   | 146427-0-01 |              | k-20     | Over Looper Holder Guide Base  | 1   |             |              |
| k-5      | Needle DC×1                | 2   | 112297-0-14 |              | k-21     | Over Looper Holder Guide Block | 1   |             |              |
| k-6      | Screw                      | 1   | 100080-0-04 |              | k-22     | Over Looper Holder             | 1   |             | 148217-0-01  |
| k-7      | Washer                     | 1   | 025030-1-32 |              | k-23     | Screw                          | 1   | 146427-0-01 |              |
| k-8      | Presser Foot Hinge Spring  | 1   | 146887-0-01 | 146906-0-01  | k-24     | Bolt                           | 1   | 017761-6-12 |              |
| k-9      | Screw                      | 1   | 100105-0-05 |              | k-25     | Over Looper Driving Lever      | 1   |             |              |
| k-10     | Presser Foot Stitch Tongue | 1   | 146907-0-01 |              | k-26     | Over Looper Holding Shaft      | 1   |             |              |
| k-11     | Presser Foot (Rear)        | 1   | 145774-0-01 |              | k-27     | Spacer                         | 1   | 148783-0-01 |              |
| k-12     | Presser Foot               | 1   |             |              | k-28     | Wick                           | 1   | 108809-0-01 |              |
| k-13     | Needle Plate               | 1   |             |              | k-29     | Wick                           | 1   | 148249-0-00 |              |
| k-14     | Main Feed Dog              | 1   | 148187-0-01 |              | k-30     | Over Looper                    | 1   |             | 147937-0-01  |
| k-15     | Chain Feed Dog             | 1   | 148189-0-01 |              | k-31     | Screw                          | 1   | 014680-4-22 |              |
| k-16     | Differential Feed Dog      | 1   | 146750-0-01 |              | k-32     | Spring                         | 1   | 144104-0-01 |              |

★a. Definite parts for B571 and the parts except above-mentioned parts are the same as 001 —  (A~F).

## Z. Machine Head Plate and Spool Stand



| Ref. No. | Name of Parts         | Qty | Parts No.   | Assembly No. |
|----------|-----------------------|-----|-------------|--------------|
| Z-1      | Rubber Cushion        | 1   | 147919-0-01 |              |
| Z-2      | Rubber Cushion        | 3   | 147919-0-02 |              |
| Z-3      | Cushion Base (Right)  | 1   | 148290-0-01 |              |
| Z-4      | Screw                 | 4   | 034151-6-03 |              |
| Z-5      | Cushion Base (Left)   | 1   | 148292-0-01 |              |
| Z-8      | Cotton Stand Assembly | 1   | 150161-0-01 |              |

# DIFFERENT PARTS LIST

| Model | Sub-Class       | No. of Needle | No. of Thread | Needle Gauge | Sewing Width | Max. Stitch | Differential Ratio | Presser Foot | Feed Dog |      | Needle Speed | Sewing Speed       | Front Cover Assembly | Oil Cap     |             | Threading Diagram |             |             |
|-------|-----------------|---------------|---------------|--------------|--------------|-------------|--------------------|--------------|----------|------|--------------|--------------------|----------------------|-------------|-------------|-------------------|-------------|-------------|
|       |                 |               |               |              |              |             |                    |              | Pitch    | Type |              |                    |                      |             |             |                   |             |             |
| B-561 | 001 3<br>4<br>5 | 1             | 3             | -            | 3<br>4<br>5  | 3.6         | 0.3~1.8            | 6            | 1.6      |      | # 11         | 5000               | A 34<br>A 38<br>A 79 | 148982-0-01 | A-27        | 111865-0-01       | A-33        | 148091-0-01 |
|       | 002-5           | 1             | 3             | -            | 5            | 2.5         | 0.4~3.6            | 7            | 2        |      | # 14         | 5000               | A 34<br>A 38<br>A 79 | 148982-0-01 | A-27        | 111865-0-01       | A-33        | 148091-0-01 |
|       | 003-3<br>4      | 1             | 3             | -            | 3<br>4       | 3.6         | 0.3~1.8            | 6            | 1.6      |      | # 9          | 5000               | A 34<br>A 38<br>A 79 | 148982-0-01 | A-27        | 111865-0-01       | A-33        | 148091-0-01 |
|       | 005-4           | 1             | 2             | -            | 4            | 3.6         | 0.3~1.8            | 4            | 1.6      |      | # 14         | 5000               | A 34<br>A 38<br>A 79 | 148982-0-01 |             |                   | M'24        | 148092-0-01 |
|       | 007-2<br>4      | 1             | 3             | -            | 2<br>4       | 3.6         | 0.3~1.8            | 6            | 1.6      |      | # 11         | 5000               | A 34<br>A 38<br>A 79 | 148982-0-01 | A-27        | 111865-0-01       | A-33        | 148091-0-01 |
|       | 008-5           | 1             | 3             | -            | 5            | 3.3         | 0.3~2.7            | 5            | 1.6      |      | # 11         | 5000               | A 34<br>A 38<br>A 79 | 148079-0-01 |             |                   | A-33        | 148091-0-01 |
|       | 009-5           | 1             | 3             | -            | 5            | 3.3         | 0.3~2.7            | 5            | 1.6      |      | # 11         | 5000               | A 34<br>A 38<br>A 79 | 148079-0-01 |             |                   | A-33        | 148091-0-01 |
|       | 010-5           | 1             | 3             | -            | 5            | 3.6         | 0.3~1.8            | 6            | 1.6      |      | # 11         | 5000               | A 34<br>A 38<br>A 79 | 148982-0-01 | A-27        | 111865-0-01       | A-33        | 148091-0-01 |
|       | 011-6           | 1             | 3             | -            | 6            | 2.5         | 0.4~3.6            | 7            | 2        |      | # 14         | 5000               | A 34<br>A 38<br>A 79 | 148982-0-01 | A-27        | 111865-0-01       | A-33        | 148091-0-01 |
| B-571 | 021-4           | 2             | 4             | 1.8          | 4            | 3.6         | 0.3~1.8            | 6            | 1.6      |      | # 11         | 5000               | a 4<br>a 8<br>a 18   | 148985-0-01 | A-27        | 111865-0-01       | a-9         | 148098-0-01 |
|       | 022-5           | 2             | 4             | 2.2          | 5            | 3.6         | 0.3~1.8            | 6            | 1.6      |      | # 11         | 5000               | a 4<br>a 8<br>a 18   | 148985-0-01 | A-27        | 111865-0-01       | a-9         | 148098-0-01 |
|       | 023-6           | 2             | 4             | 2.2          | 6            | 3.6         | 0.3~1.8            | 6            | 1.6      |      | # 11         | 5000               | a 4<br>a 8<br>a 18   | 148985-0-01 | A-27        | 111865-0-01       | a-9         | 148098-0-01 |
|       | 027-6           | 2             | 4             | 2.2          | 6            | 2.5         | 0.4~3.6            | 7            | 2        |      | # 14         | 5000               | a 4<br>a 8<br>a 18   | 148985-0-01 | A-27        | 111865-0-01       | a-9         | 148098-0-01 |
|       | 031-7           | 2             | 4             | 3            | 7            | 3.6         | 0.3~1.8            | 7            | 2.5      |      | # 21         | 5000               | a 4<br>a 8<br>a 18   | 148985-0-01 | A-27        | 111865-0-01       | a-9         | 148098-0-01 |
|       | 033-5           | 2             | 4             | 2.2          | 5            | 3.3         | 0.3~2.7            | 5            | 1.6      |      | # 11         | 5000               | a 4<br>a 8<br>a 18   | 148096-0-01 |             |                   | a-9         | 148098-0-01 |
|       | 037-5           | 2             | 4             | 2.2          | 5            | 3.3         | 0.3~2.7            | 5            | 1.6      |      | # 11         | 5000               | a 4<br>a 8<br>a 18   | 148096-0-01 |             |                   | a-9         | 148098-0-01 |
|       | 041-5           | 2             | 4             | 2.2          | 5            | 3.6         | 0.3~1.8            | 6            | 1.6      |      | # 11         | 5000               | a 4<br>a 8<br>a 18   | 148985-0-01 | A-27        | 111865-0-01       | a-9         | 148098-0-01 |
|       | 042-6           | 2             | 4             | 2.2          | 6            | 3.6         | 0.3~1.8            | 6            | 1.6      |      | # 11         | 5000               | a 4<br>a 8<br>a 18   | 148985-0-01 | A-27        | 111865-0-01       | a-9         | 148098-0-01 |
| 045-6 | 2               | 4             | 2.2           | 6            | 2.5          | 0.4~3.6     | 7                  | 2            |          | # 14 | 5000         | a 4<br>a 8<br>a 18 | 148985-0-01          | A-27        | 111865-0-01 | a-9               | 148098-0-01 |             |

| Model | Sub-Class           | Level   | Level               | Needle Bar Assembly |             | Needle Bar  | Needle Clamp Assembly | Needle DC×1  |             | Needle Plate |   | Presser Foot Assembly |                            | Main Feed Dog |             |             |             |
|-------|---------------------|---|---------------------|---------------------|-------------|-------------|-----------------------|--------------|-------------|--------------|---|-----------------------|----------------------------|---------------|-------------|-------------|-------------|
|       |                     |   |                     |                     |             |             |                       |              |             |              |   |                       |                            |               |             |             |             |
| B-561 | 001-3<br>-4<br>-5   | A-19<br>146974-0-01<br>146974-0-02<br>146974-0-03 | A-42<br>147943-0-01 | B-9<br>B-11         | 147629-0-01 | /           | /                     | B-12         | 112297-0-11 | B-64         | 146730-0-01<br>146731-0-01<br>146732-0-01 | E-59<br>E-67          | 146884-0-01                | D-43          | 146744-0-01 |             |             |
|       | 002-5               | I-13<br>146974-0-04                               | A-42<br>147943-0-01 | B-9<br>B-11         | 147629-0-01 | /           | /                     | I-1          | 112297-0-14 | I-9          | 146734-0-01                               | I-2<br>I-8            | 146898-0-01                | I-10          | 148187-0-01 |             |             |
|       | 003-3<br>-4         | J-19<br>146974-0-07<br>146974-0-08                | A-42<br>147943-0-01 | B-9<br>B-11         | 147629-0-01 | /           | /                     | J-6          | 112297-0-09 | B-64         | 146730-0-01<br>146731-0-01                | J-1<br>J-5            | 146890-0-01                | D-43          | 146744-0-01 |             |             |
|       | 005-4               | M-25<br>146974-0-14                               | /                   | B-9<br>B-11         | 147629-0-01 | /           | /                     | M-10         | 112297-0-14 | B-64         | 146731-0-01                               | M-1<br>M-9            | 146893-0-01                | D-43          | 146744-0-01 |             |             |
|       | 007-2<br>-4         | J-13<br>146974-0-56<br>146974-0-57                | A-42<br>147943-0-01 | B-9<br>B-11         | 147629-0-01 | /           | /                     | B-12         | 112297-0-11 | J-10<br>J-12 | 148352-0-01<br>148314-0-01                | J-1<br>J-9            | 148311-0-01                | D-43          | 146744-0-01 |             |             |
|       | 008-5               | K-12<br>146974-0-19                               | A-42<br>147943-0-01 | B-9<br>B-11         | 147629-0-01 | /           | /                     | B-12         | 112297-0-11 | K-8          | 146737-0-01                               | K-1<br>K-7            | 144811-0-01                | K-10          | 148188-0-01 |             |             |
|       | 009-5               | L-12<br>146974-0-20                               | A-42<br>147943-0-01 | B-9<br>B-11         | 147629-0-01 | /           | /                     | B-12         | 112297-0-11 | L-8          | 146737-0-01                               | L-1<br>L-7            | 147433-0-01                | L-10          | 148754-0-01 |             |             |
|       | 010-5               | M-8<br>146974-0-21                                | A-42<br>147943-0-01 | B-9<br>B-11         | 147629-0-01 | /           | /                     | B-12         | 112297-0-11 | B-64         | 146732-0-01                               | M-1<br>M-7            | 146895-0-01                | D-43          | 146744-0-01 |             |             |
|       | 011-6               | N-15<br>146974-0-25                               | A-42<br>147943-0-01 | B-9<br>B-11         | 147629-0-01 | /           | /                     | N-3          | 112297-0-14 | N-11         | 146735-0-01                               | N-4<br>N-10           | 146895-0-01                | N-12          | 148187-0-01 |             |             |
| B-571 | 021-4               | b-14<br>146975-0-39                               | A-42<br>147943-0-01 | /                   | /           | a-2         | 146483-0-01           | b-1<br>b-2   | 146771-0-01 | b-3          | 147838-0-11                               | b-13<br>b-12          | 146779-0-01                | b-4<br>b-12   | 146963-0-01 | D-43        | 146744-0-01 |
|       | 022-5               | c-14<br>146975-0-04                               | A-42<br>147943-0-01 | /                   | /           | a-2         | 146483-0-01           | c-1<br>c-2   | 146773-0-01 | B-12         | 112297-0-11                               | c-12                  | 146781-0-01                | c-3<br>c-11   | 146902-0-01 | D-43        | 146744-0-01 |
|       | 023-6               | d-16<br>146975-0-40                               | A-42<br>147943-0-01 | /                   | /           | a-2         | 146483-0-01           | d-1<br>d-2   | 146773-0-01 | B-12         | 112297-0-11                               | d-14                  | 146782-0-01                | d-3<br>d-11   | 146902-0-01 | D-43        | 146744-0-01 |
|       | 027-6<br>-7         | e-15<br>146975-0-41<br>146975-0-15                | A-42<br>147943-0-01 | /                   | /           | a-2         | 146483-0-01           | e-1<br>e-2   | 146773-0-01 | e-3          | 112297-0-14                               | e-11                  | 146782-0-01<br>146783-0-01 | e-4<br>e-10   | 146904-0-01 | e-12        | 148187-0-01 |
|       | 031-7               | f-16<br>146975-0-17                               | A-42<br>147943-0-01 | /                   | /           | a-2         | 146483-0-01           | f-1<br>f-2   | 146775-0-01 | f-3          | 112297-0-21                               | f-13                  | 146785-0-01                | f-4<br>f-12   | 146965-0-01 | f-14        | 146790-0-01 |
|       | 033-5               | g-14<br>146975-0-19                               | A-42<br>147943-0-01 | /                   | /           | a-2         | 146483-0-01           | g-1<br>g-2   | 146773-0-01 | B-12         | 112297-0-11                               | g-10                  | 146786-0-01                | g-3<br>g-9    | 144815-0-01 | g-12        | 148188-0-01 |
|       | 037-5               | h-14<br>146975-0-21                               | A-42<br>147943-0-01 | /                   | /           | a-2         | 146483-0-01           | h-1<br>h-2   | 146773-0-01 | B-12         | 112297-0-11                               | h-10                  | 146786-0-01                | h-3<br>h-9    | 147439-0-01 | h-11        | 148754-0-01 |
|       | 041-5               | i-12<br>146975-0-23                               | A-42<br>147943-0-01 | /                   | /           | a-2         | 146483-0-01           | i-1<br>i-2   | 146773-0-01 | B-12         | 112297-0-11                               | i-10                  | 146781-0-01                | J-3<br>J-9    | 146906-0-01 | D-43        | 146744-0-01 |
|       | 042-6               | j-10<br>146975-0-27                               | A-42<br>147943-0-01 | /                   | /           | a-2         | 146483-0-01           | j-13<br>j-14 | 146773-0-01 | B-12         | 112297-0-11                               | j-8                   | 146782-0-01                | J-1<br>J-7    | 146906-0-01 | D-43        | 146744-0-01 |
| 045-6 | k-17<br>146975-0-32 | A-42<br>147943-0-01                               | /                   | /                   | a-2         | 146483-0-01 | k-3<br>k-4            | 146773-0-01  | K-5         | 112297-0-14  | K-13                                      | 146782-0-01           | k-6<br>k-12                | 146906-0-01   | K-14        | 148187-0-01 |             |

| Model | Sub-Class       | Differential Feed Dog | Chain Feed Dog     | Over Looper Assembly       | Over Looper                | Needle Thread Take-up      | Washer            | Edge Hemming Ruler Assembly | Screw              | Edge Guide                 |
|-------|-----------------|-----------------------|--------------------|----------------------------|----------------------------|----------------------------|-------------------|-----------------------------|--------------------|----------------------------|
| B 561 | 001-3<br>4<br>5 | D 40   146748-0-01    | D 42   146577-0-01 | C-32   148209-0-01<br>C-40 | C 42   147934-0-01<br>C-43 | F 6   144108-0-01          | F-7   105248-0-03 |                             |                    |                            |
|       | 002-5           | I-12   146750-0-01    | I-11   148189-0-01 | I-14   148217-0-01<br>I-23 | I-26   147937-0-01<br>I-27 | F-6   144108-0-01          | F-7   105248-0-03 |                             |                    |                            |
|       | 003-3<br>4      | D-40   146748-0-01    | D-42   146577-0-01 | C-32   148209-0-01<br>C-40 | C-42   147934-0-01<br>C-43 | F-6   144108-0-01          | F-7   105248-0-03 | J-7   147710-0-01<br>J-17   | J-18   009670-6-12 |                            |
|       | 005-4           | D 40   146748-0-01    | D 42   146577-0-01 | C-32   148209-0-01<br>C-40 | M-12   147935-0-01<br>M-13 | M-11   142201-0-01         |                   |                             |                    | M-14   146761-0-01<br>M-22 |
|       | 007-2<br>4      | D-40   146748-0-01    | D-42   146577-0-01 | C-32   148209-0-01<br>C-40 | C-42   147934-0-01<br>C-43 | F-6   144108-0-01          | F-7   105248-0-03 |                             |                    |                            |
|       | 008-5           | K-11   146751-0-01    | K-9   148189-0-01  | C-32   148209-0-01<br>C-40 | C-42   147934-0-01<br>C-43 | F-6   144108-0-01          | F-7   105248-0-03 |                             |                    |                            |
|       | 009-5           | L-11   146751-0-01    | L-9   148753-0-01  | C-32   148209-0-01<br>C-40 | C-42   147934-0-01<br>C-43 | F-6   144108-0-01          | F-7   105248-0-03 |                             |                    |                            |
|       | 010-5           | D 40   146748-0-01    | D-42   146577-0-01 | C-32   148209-0-01<br>C-40 | C-42   147934-0-01<br>C-43 | F-6   144108-0-01          | F-7   105248-0-03 |                             |                    |                            |
|       | 011-6           | N-14   146750-0-01    | N-13   148189-0-01 | N-16   148217-0-01<br>N-25 | N-28   147937-0-01<br>N-29 | F-6   144108-0-01          | F-7   105248-0-03 |                             |                    |                            |
|       | B-571           | 021-4                 | D 40   146748-0-01 | D-42   146577-0-01         | C-32   148209-0-01<br>C-40 | C-42   147934-0-01<br>C-43 | F-6   144108-0-01 | F-7   105248-0-03           |                    |                            |
| 022-5 |                 | c-13   146749-0-01    | D-42   146577-0-01 | C-32   148209-0-01<br>C-40 | C-42   147934-0-01<br>C-43 | F-6   144108-0-01          | F-7   105248-0-03 |                             |                    |                            |
| 023-6 |                 | d-15   146749-0-01    | D-42   146577-0-01 | C-32   148209-0-01<br>C-40 | d-12   147936-0-01<br>d-13 | F-6   144108-0-01          | F-7   105248-0-03 |                             |                    |                            |
| 027-6 |                 | e-14   146750-0-01    | e-13   148189-0-01 | e-16   148217-0-01<br>e-25 | e-28   147937-0-01<br>e-29 | F-6   144108-0-01          | F-7   105248-0-03 |                             |                    |                            |
| 031-7 |                 | f-15   146791-0-01    | D-42   146577-0-01 | f-17   148217-0-01<br>f-26 | f-29   147937-0-01<br>f-30 | F-6   144108-0-01          | F-7   105248-0-03 |                             |                    |                            |
| 033-5 |                 | g-13   146751-0-01    | g-11   148189-0-01 | C-32   148209-0-01<br>C-40 | C-42   147934-0-01<br>C-43 | F-6   144108-0-01          | F-7   105248-0-03 |                             |                    |                            |
| 037-5 |                 | h-13   146751-0-01    | h-12   148753-0-01 | C-32   148209-0-01<br>C-40 | C-42   147934-0-01<br>C-43 | F-6   144108-0-01          | F-7   105248-0-03 |                             |                    |                            |
| 041-5 |                 | j-11   146749-0-01    | D 42   146577-0-01 | C-32   148209-0-01<br>C-40 | C-42   147934-0-01<br>C-43 | F-6   144108-0-01          | F-7   105248-0-03 |                             |                    |                            |
| 042-6 |                 | i-9   146749-0-01     | D-42   146577-0-01 | C-32   148209-0-01<br>C-40 | J-15   147936-0-01<br>J-16 | F-6   144108-0-01          | F-7   105248-0-03 |                             |                    |                            |
| 045-6 |                 | k-16   146750-0-01    | k-15   148189-0-01 | k-18   148217-0-01<br>k-27 | k-30   147937-0-01<br>k-31 | F-6   144108-0-01          | F-7   105248-0-03 |                             |                    |                            |

| Model | Sub-Class         | Screw | Ruffling Attachment Assembly | Screw | Handle      | Nut  | Wrapper Assembly | Screw | Tape Guide  | Screw |             |             |             |             |
|-------|-------------------|-------|------------------------------|-------|-------------|------|------------------|-------|-------------|-------|-------------|-------------|-------------|-------------|
| B 561 | 001-3<br>-4<br>-5 |       |                              |       |             |      |                  |       |             |       |             |             |             |             |
|       | 002-5             |       |                              |       |             |      |                  |       |             |       |             |             |             |             |
|       | 003-3<br>-4       |       |                              |       |             |      |                  |       |             |       |             |             |             |             |
|       | 005-4             | M 23  | 110201-0-01                  |       |             |      |                  |       |             |       |             |             |             |             |
|       | 007-2<br>-4       |       |                              |       |             |      |                  |       |             |       |             |             |             |             |
|       | 008-5             |       | K-13<br>K-44<br>146587-0-01  | K-45  | 009781-8-12 | K-48 | 145809-0-01      | K-49  | 021780-3-03 |       |             |             |             |             |
|       | 009-5             |       | L-13<br>L-44<br>146587-0-01  | L-45  | 009781-8-12 | L-48 | 145809-0-01      | L-49  | 021780-3-03 | L-50  | 147440-0-00 | L-51        | 009680-6-12 |             |
|       | 010-5             |       |                              |       |             |      |                  |       |             | M-9   | 146883-0-01 | M-10        | 009669-4-12 |             |
|       | 011-5             |       |                              |       |             |      |                  |       |             | N-1   | 146883-0-01 | N-2         | 009669-4-12 |             |
|       | B-571             | 021-4 |                              |       |             |      |                  |       |             |       |             |             |             |             |
| 022-5 |                   |       |                              |       |             |      |                  |       |             |       |             |             |             |             |
| 023-6 |                   |       |                              |       |             |      |                  |       |             |       |             |             |             |             |
| 027-6 |                   |       |                              |       |             |      |                  |       |             |       |             |             |             |             |
| 031-7 |                   |       |                              |       |             |      |                  |       |             |       |             |             |             |             |
| 033-5 |                   |       | g-15<br>g-46<br>146587-0-01  | g-47  | 009781-8-12 | g-50 | 145809-0-01      | g-51  | 021780-3-03 |       |             |             |             |             |
| 037-5 |                   |       | h-15<br>h-46<br>146587-0-01  | h-47  | 009781-8-12 | h-50 | 145809-0-01      | h-51  | 021780-3-03 | h-52  | 147440-0-00 | h-53        | 009680-6-12 |             |
| 041-5 |                   |       |                              |       |             |      |                  |       |             |       | i-13        | 146883-0-01 | J-14        | 009669-4-12 |
| 042-6 |                   |       |                              |       |             |      |                  |       |             |       | J-11        | 146883-0-01 | J-12        | 009669-4-12 |
| 045-6 |                   |       |                              |       |             |      |                  |       |             |       | k-1         | 146883-0-01 | k-2         | 009669-4-12 |

| Model | Sub-Class         | Ruffler Guide    | Screw            | Spool Stand Assembly | Tape Winder Assembly | Screw       | Screw Driver Small | Spring           |                  |
|-------|-------------------|------------------|------------------|----------------------|----------------------|-------------|--------------------|------------------|------------------|
| B 561 | 001-3<br>-4<br>-5 |                  |                  |                      |                      |             |                    | F-16 144104 0 01 |                  |
|       | 002-5             |                  |                  |                      |                      |             |                    | F-16 144104-0 01 |                  |
|       | 003-3<br>-4       |                  |                  |                      |                      |             |                    | F-16 144104 0 01 |                  |
|       | 005-4             |                  |                  |                      |                      |             |                    | F 16 144104 0 01 |                  |
|       | 007 2<br>-4       |                  |                  |                      |                      |             | J-14 148925 0-01   | F 16 144104-0 01 |                  |
|       | 008-5             | K 46 144793 0-01 | K-47 112751 0 02 |                      |                      |             |                    | F-16 144104 0 01 |                  |
|       | 009 5             | L 46 144793-0-01 | L-47 142751 0-02 | P-1<br>P-7           | 181031-0-01          | P-8<br>P-16 | 143767 0-02        | P-17 101118-0 01 | F 16 144104 0-01 |
|       | 010-5             |                  |                  |                      |                      |             |                    | F-16 144104-0 01 |                  |
|       | 011-6             |                  |                  |                      |                      |             |                    | F-16 144104 0 01 |                  |
|       | B-571             | 021-4            |                  |                      |                      |             |                    |                  | F 16 144104-0-01 |
| 022-5 |                   |                  |                  |                      |                      |             |                    | F 16 144104-0 01 |                  |
| 023-6 |                   |                  |                  |                      |                      |             |                    | F-16 144104 0-01 |                  |
| 027-6 |                   |                  |                  |                      |                      |             |                    | F-16 144104-0-01 |                  |
| 031-7 |                   |                  |                  |                      |                      |             |                    | f-31 148851-0-01 |                  |
| 033-5 |                   | g-48 144793-0-00 | g-49 112751-0-02 |                      |                      |             |                    | F 16 144104-0-01 |                  |
| 047-5 |                   | h-48 144793-0 00 | h-49 112751 0-02 | P-1<br>P-7           | 181031-0-01          | P-8<br>P-16 | 143767 0 02        | P 17 101118-0-01 | F-16 144104 0 01 |
| 041-5 |                   |                  |                  |                      |                      |             |                    | F-16 144104 0 01 |                  |
| 042-6 |                   |                  |                  |                      |                      |             |                    | F-16 144104-0-01 |                  |
| 045-6 |                   |                  |                  |                      |                      |             |                    | F-16 144104 0 01 |                  |

# INDEX

| Pars No.    | Ref. No. | Remark | Pars No.    | Ref. No. | Remark | Pars No.    | Ref. No. | Remark |
|-------------|----------|--------|-------------|----------|--------|-------------|----------|--------|
| 001401-4-06 | Y-28     |        | 009680-8-12 | K-41     |        | 025030-1-32 | N-5      |        |
| 001660-5-12 | E-69     |        | "           | L-42     |        | "           | b-5      |        |
| 001670-5-12 | K-32     |        | "           | g-43     |        | "           | d-4      |        |
| "           | L-32     |        | "           | h-43     |        | "           | e-5      |        |
| "           | g-34     |        | 009681-0-12 | B-55     |        | "           | f-7      |        |
| "           | h-34     |        | "           | Y-16     |        | "           | g-4      |        |
| 001670-6-14 | J-7      |        | 009681-2-12 | A-17     |        | "           | h-4      |        |
| 005710-8-12 | M-14     |        | 009681-4-12 | F-10     |        | "           | j-4      |        |
| 009630-8-12 | D-41     |        | "           | F-19     |        | "           | j-2      |        |
| 009639-3-12 | C-9      |        | 009781-8-12 | K-45     |        | "           | K-7      |        |
| "           | E-60     |        | "           | L-45     |        | 025680-2-32 | Y-15     |        |
| "           | J-6      |        | "           | g-47     |        | 025770-2-32 | K-28     |        |
| "           | M-9      |        | "           | h-47     |        | "           | L-28     |        |
| "           | b-8      |        | 013679-4-12 | k-42     |        | "           | g-29     |        |
| "           | d-7      |        | "           | L-40     |        | "           | h-30     |        |
| "           | f-10     |        | "           | g-44     |        | 028050-2-42 | P-5      |        |
| 009660-7-12 | K-15     |        | "           | h-44     |        | 031311-3-02 | Y-13     |        |
| "           | L-15     |        | 013689-4-12 | F-21     |        | 034151-6-03 | Z-4      |        |
| "           | g-17     |        | 013760-6-12 | A-74     |        | 047140-8-42 | A-37     |        |
| "           | h-17     |        | "           | C-13     |        | "           | a-7      |        |
| 009669-3-12 | F-8      |        | 013761-4-10 | B-53     |        | 048030-3-42 | J-13     |        |
| 009669-4-12 | B-5      |        | 014680-4-22 | A-22     |        | 072600-0-00 | B-39     |        |
| "           | E-72     |        | "           | C-18     |        | 072600-1-00 | B-50     |        |
| "           | M-10     |        | "           | C-40     |        | "           | B-57     |        |
| "           | N-2      |        | "           | C-42     |        | "           | B-59     |        |
| "           | J-14     |        | "           | I-14     |        | 081002-6-70 | E-17     |        |
| "           | j-12     |        | "           | I-27     |        | 100022-0-05 | E-21     |        |
| "           | K-2      |        | "           | M-13     |        | 100032-0-03 | A-58     |        |
| 009670-4-12 | A-31     |        | "           | N-16     |        | "           | B-63     |        |
| 009670-5-12 | C-1      |        | "           | N-29     |        | 100080-0-02 | P-3      |        |
| "           | C-22     |        | "           | d-13     |        | 100080-0-04 | C-3      |        |
| "           | C-44     |        | "           | e-16     |        | "           | E-64     |        |
| "           | C-54     |        | "           | e-29     |        | "           | I-2      |        |
| "           | E-25     |        | "           | f-17     |        | "           | J-1      |        |
| 009670-6-12 | A-7      |        | "           | f-30     |        | "           | J-1      |        |
| "           | A-9      |        | "           | j-16     |        | "           | K-1      |        |
| "           | A-40     |        | "           | K-18     |        | "           | L-1      |        |
| "           | A-48     |        | "           | K-31     |        | "           | M-1      |        |
| "           | A-54     |        | 017751-4-12 | C-16     |        | "           | "        |        |
| "           | A-60     |        | 017761-4-12 | C-34     |        | "           | N-4      |        |
| "           | A-67     |        | "           | D-7      |        | "           | b-4      |        |
| "           | A-70     |        | "           | D-14     |        | "           | d-3      |        |
| "           | E-47     |        | "           | D-25     |        | "           | e-4      |        |
| "           | F-5      |        | 017761-6-12 | B-22     |        | "           | f-4      |        |
| "           | F-24     |        | "           | E-37     |        | "           | g-3      |        |
| "           | F-33     |        | "           | I-20     |        | "           | h-3      |        |
| "           | F-39     |        | "           | N-22     |        | "           | j-3      |        |
| "           | J-18     |        | "           | e-22     |        | "           | j-1      |        |
| 009670-8-12 | B-8      |        | "           | f-23     |        | "           | K-6      |        |
| "           | B-36     |        | "           | K-24     |        | 100105-0-05 | C-4      |        |
| "           | C-19     |        | 017771-4-12 | C-9      |        | "           | E-67     |        |
| "           | F-10     |        | 017771-6-12 | A-45     |        | "           | I-4      |        |
| "           | F-37     |        | "           | C-52     |        | "           | J-3      |        |
| 009671-4-12 | B-68     |        | "           | E-52     |        | "           | K-4      |        |
| 009679-3-12 | J-12     |        | 018061-6-22 | B-69     |        | "           | L-4      |        |
| "           | M-20     |        | 021400-1-06 | Y-27     |        | "           | M-3      |        |
| 009680-6-12 | K-30     |        | 021670-2-02 | B-67     |        | "           | M-4      |        |
| "           | K-37     |        | 021680-2-02 | E-9      |        | "           | N-7      |        |
| "           | L-30     |        | "           | M-17     |        | "           | b-10     |        |
| "           | L-37     |        | 021760-3-03 | K-44     |        | "           | d-9      |        |
| "           | L-51     |        | "           | L-44     |        | "           | e-6      |        |
| "           | g-32     |        | "           | g-46     |        | "           | f-5      |        |
| "           | g-39     |        | "           | h-46     |        | "           | g-8      |        |
| "           | h-32     |        | 021780-3-03 | K-49     |        | "           | h-6      |        |
| "           | h-39     |        | "           | L-49     |        | "           | j-6      |        |
| "           | h-53     |        | "           | g-51     |        | "           | j-4      |        |
| 009680-7-12 | A-52     |        | "           | h-51     |        | "           | K-9      |        |
| "           | A-77     |        | 025030-1-32 | C-5      |        | 100136-0-01 | P-15     |        |
| "           | B-29     |        | "           | E-63     |        | 100260-0-01 | C-27     |        |
| "           | B-34     |        | "           | I-3      |        | "           | E-30     |        |
| "           | C-57     |        | "           | J-2      |        | 100366-0-01 | B-17     |        |
| "           | D-53     |        | "           | J-2      |        | "           | B-18     |        |
| "           | E-14     |        | "           | K-2      |        | "           | B-24     |        |
| "           | E-58     |        | "           | L-2      |        | "           | B-74     |        |
| "           | J-16     |        | "           | M-2      |        | "           | D-22     |        |
| 009680-7-14 | A-1      |        | "           | "        |        | 100444-0-02 | P-2      |        |



| Pars No.    | Ref. No.  | Remark | Pars No.    | Ref. No. | Remark | Pars No.    | Ref. No. | Remark |
|-------------|-----------|--------|-------------|----------|--------|-------------|----------|--------|
| 100447-0-01 | P-7       |        | 112297-0-09 | J-6      |        | 143767-0-02 | P-8~16   |        |
| 101118-0-01 | P-17      |        | 112297-0-11 | B-12     |        | 143976-0-01 | P-11-12  |        |
| 101572-1-01 | Y-10      |        | 112297-0-14 | I-1      |        | 143978-0-01 | P-9-10   |        |
| 101706-0-01 | A-63      |        | "           | M-10     |        | 143980-0-01 | P-8      |        |
| "           | K-18      |        | "           | N-3      |        | 144031-0-00 | C-30     |        |
| "           | K-20      |        | "           | e-3      |        | 144049-0-01 | C-21     |        |
| "           | L-18      |        | "           | K-5      |        | 144073-0-01 | E-43     |        |
| "           | L-20      |        | 112297-0-21 | f-3      |        | 144075-0-01 | E-41     |        |
| "           | g-20      |        | 112299-0-01 | F-3      |        | 144088-0-01 | M-15     |        |
| "           | g-22      |        | 112300-0-01 | F-2      |        | 144091-0-01 | K-3      |        |
| "           | h-20      |        | 112301-0-01 | F-4      |        | "           | L-3      |        |
| "           | h-22      |        | 112436-0-01 | E-49     |        | "           | g-5      |        |
| 101706-0-03 | D-28      |        | "           | Y-33     |        | "           | h-5      |        |
| 102627-0-01 | E-54      |        | 112751-0-02 | K-47     |        | 144100-0-01 | K-5      |        |
| 102843-0-04 | A-8       |        | "           | L-47     |        | "           | L-5      |        |
| "           | B-43      |        | "           | g-49     |        | "           | g-9      |        |
| "           | B-47      |        | "           | h-49     |        | "           | h-7      |        |
| 104908-0-01 | E-20      |        | 112754-0-01 | B-35     |        | 144103-0-02 | F-15     |        |
| 105163-0-01 | K-36      |        | 113431-0-02 | D-37     |        | "           | F-28     |        |
| "           | L-36      |        | "           | D-46     |        | "           | a-13     |        |
| "           | g-38      |        | 113589-0-01 | A-15     |        | 144104-0-01 | F-16     |        |
| "           | h-38      |        | 114255-0-02 | B-13     |        | 144105-0-00 | F-17     |        |
| 105234-0-03 | K-22      |        | 114483-0-01 | Y-35     |        | "           | F-26     |        |
| "           | L-22      |        | 116016-0-01 | Y-26     |        | "           | K-26     |        |
| "           | g-23      |        | 116231-0-01 | D-9      |        | "           | L-26     |        |
| "           | h-24      |        | "           | D-15     |        | "           | a-11     |        |
| 105248-0-03 | F-7       |        | 117160-0-01 | A-30     |        | "           | g-27     |        |
| 105343-0-01 | Y-3       |        | 117466-0-00 | Y-11     |        | "           | h-28     |        |
| 105344-0-01 | J-14      |        | 117515-0-01 | E-45     |        | 144106-0-02 | F-18     |        |
| 106120-0-02 | A-69      |        | 117516-0-01 | D-39     |        | "           | F-25     |        |
| 106368-0-01 | A-55      |        | "           | D-44     |        | "           | K-25     |        |
| 107244-0-01 | B-61      |        | "           | E-46     |        | "           | L-25     |        |
| 107351-0-01 | B-70      |        | 117608-0-01 | B-65     |        | "           | a-10     |        |
| 107407-0-03 | A-39      |        | 118768-0-01 | B-30     |        | "           | g-26     |        |
| "           | D-38      |        | 118837-0-01 | Y-9      |        | "           | h-27     |        |
| "           | D-45      |        | 122771-0-02 | F-40     |        | 144108-0-01 | F-6      |        |
| "           | E-44      |        | 122991-0-01 | Y-1      |        | 144110-0-01 | F-27     |        |
| "           | E-51      |        | 140041-0-01 | A-5      |        | 144124-0-01 | Y-7      |        |
| 107779-0-01 | Y-4       |        | 140065-0-01 | D-1      |        | 144127-0-01 | C-20     |        |
| 108494-0-01 | P-13      |        | 140066-0-01 | B-26     |        | 144225-0-01 | Y-34     |        |
| 108495-0-01 | P-14      |        | "           | C-24     |        | 144764-0-01 | K-33     |        |
| 108809-0-01 | C-31      |        | 140077-0-01 | A-50     |        | "           | L-33     |        |
| "           | J-24      |        | 140084-0-00 | B-62     |        | "           | g-35     |        |
| "           | N-26      |        | 140085-0-03 | B-54     |        | "           | h-35     |        |
| "           | e-26      |        | 140092-0-01 | B-16     |        | 144783-0-01 | K-13     |        |
| "           | f-27      |        | "           | B-23     |        | "           | L-13     |        |
| "           | k-28      |        | 140180-0-01 | B-52     |        | "           | g-15     |        |
| 109203-0-01 | A-44      |        | 140208-0-01 | D-34     |        | "           | h-15     |        |
| 109852-0-01 | P-4       |        | "           | D-57     |        | 144784-0-01 | K-14     |        |
| 109853-0-01 | P-1       |        | 140248-0-01 | E-57     |        | "           | L-14     |        |
| 109854-0-01 | P-1~6     |        | 140342-0-01 | Y-2      |        | "           | g-16     |        |
| 100161-0-03 | P-6       |        | 140504-0-01 | E-68     |        | "           | h-16     |        |
| 110201-0-01 | M-23      |        | 140759-0-00 | Y-29     |        | 144788-0-01 | K-27     |        |
| 110230-0-01 | K-23      |        | 140774-0-00 | D-30     |        | "           | L-27     |        |
| "           | L-23      |        | "           | D-54     |        | "           | g-28     |        |
| "           | g-24      |        | 141183-0-00 | A-65     |        | "           | h-29     |        |
| "           | h-25      |        | 141393-0-01 | E-73     |        | 144793-0-00 | K-46     |        |
| 110641-0-01 | A-43      |        | 141528-0-01 | E-8      |        | "           | L-46     |        |
| 110670-0-00 | B-56      |        | 141542-0-01 | Y-31     |        | "           | g-48     |        |
| 110672-0-00 | B-58      |        | 142125-0-00 | Y-12     |        | "           | h-48     |        |
| 110673-0-00 | B-60      |        | 142201-0-01 | M-11     |        | 144811-0-01 | K-1~7    |        |
| 110813-0-01 | F-32-a-17 |        | 142262-0-01 | Y-20     |        | 144813-0-01 | K-6      |        |
| 110820-0-01 | F-12      |        | 142590-0-01 | C-3      |        | "           | L-6      |        |
| "           | F-31      |        | "           | C-7      |        | 144815-0-01 | g-3~9    |        |
| "           | K-29      |        | "           | C-50     |        | 144816-0-01 | g-6      |        |
| "           | L-29      |        | 142658-0-01 | C-46     |        | "           | h-8      |        |
| "           | a-16      |        | 142669-0-01 | F-41     |        | 145277-0-01 | Y-36     |        |
| "           | g-30      |        | 142674-0-00 | D-31     |        | 145446-0-01 | F-14     |        |
| "           | h-31      |        | "           | D-58     |        | "           | F-29     |        |
| 110832-0-01 | F-13      |        | 142721-0-01 | Y-6      |        | "           | a-24     |        |
| "           | F-30      |        | 143311-0-01 | B-37     |        | 145774-0-01 | I-7      |        |
| "           | a-15      |        | 143312-0-00 | B-38     |        | "           | M-5      |        |
| 111443-0-01 | J-10      |        | 143374-0-01 | A-75     |        | "           | N-9      |        |
| 111486-0-01 | B-71      |        | 143552-0-01 | J-8      |        | "           | e-8      |        |
| 111865-0-01 | A-27      |        | 143750-0-02 | P-16     |        | "           | j-7      |        |
| 112297-     | Y-22      |        | 143757-0-01 | F-9      |        | "           | j-5      |        |

| Pars No.    | Ref. No. | Remark | Pars No.    | Ref. No. | Remark | Pars No.    | Ref. No. | Remark |
|-------------|----------|--------|-------------|----------|--------|-------------|----------|--------|
| 145774-0-01 | K-11     |        | 146598-0-01 | M-19     |        | 146887-0-01 | b-6      |        |
| 145803-0-01 | K-16     |        | 146599-0-01 | M-16     |        | "           | d-5      |        |
| "           | L-16     |        | 146617-0-01 | C-17     |        | "           | e-7      |        |
| "           | g-18     |        | 146644-0-00 | B-27     |        | "           | f-8      |        |
| "           | h-18     |        | 146649-0-01 | F-11     |        | "           | j-5      |        |
| 145807-0-01 | K-40     |        |             |          |        | "           | j-3      |        |
| "           | L-43     |        | 146652-0-01 | F-35     |        | "           | K-8      |        |
| "           | g-42     |        | 146653-0-01 | F-36     |        | 146888-0-01 | C-10     |        |
| "           | h-42     |        | 146654-0-01 | F-38     |        | "           | E-59     |        |
| 145808-0-01 | k-38     |        | 146700-0-01 | Y-8      |        | "           | J-8      |        |
| "           | L-38     |        | 146713-0-01 | A-28-29  |        | "           | M-8      |        |
| "           | g-40     |        | 146730-0-01 | B-64     |        | "           | b-9      |        |
| "           | h-40     |        | 146731-0-01 | "        |        | "           | d-8      |        |
| 145809-0-01 | K-48     |        | 146732-0-01 | "        |        | "           | f-11     |        |
| "           | L-48     |        | 146734-0-01 | I-9      |        | 146889-0-01 | C-7      |        |
| "           | g-50     |        | 146735-0-01 | N-11     |        | "           | J-7      |        |
| "           | h-50     |        | 146737-0-01 | K-8      |        | "           | M-5      |        |
| 145811-0-01 | K-31     |        | "           | L-8      |        | "           | b-11     |        |
| "           | L-31     |        | 146744-0-01 | D-43     |        | "           | d-10     |        |
| "           | g-33     |        | 146748-0-01 | D-40     |        | "           | f-6      |        |
| "           | h-33     |        | 146749-0-01 | C-13     |        | 146890-0-01 | J-1~5    |        |
| 146315-0-00 | A-62     |        | "           | d-15     |        | 146892-0-01 | J-4      |        |
| 146421-0-00 | A-14     |        | "           | j-11     |        | 146893-0-01 | M-1~9    |        |
| 146426-0-00 | A-11     |        | "           | j-9      |        | 146894-0-01 | M-6      |        |
| 146427-0-01 | A-10     |        | 146750-0-01 | I-12     |        | 146895-0-01 | M-1~7    |        |
| "           | A-68     |        | "           | N-14     |        | "           | N-4~10   |        |
| "           | B-2      |        | "           | c-14     |        | 146897-0-01 | M-6      |        |
| "           | C-2      |        | "           | K-16     |        | 146898-0-01 | I-1~8    |        |
| "           | C-35     |        | 146751-0-01 | K-11     |        | 146900-0-01 | I-6      |        |
| "           | E-2      |        | "           | L-11     |        | "           | N-8      |        |
| "           | I-19     |        | "           | g-13     |        | 146902-0-01 | c-3~11   |        |
| "           | N-21     |        | "           | h-13     |        | "           | d-3~11   |        |
| "           | b-2      |        | 146754-0-01 | E-50     |        | 146903-0-01 | C-8      |        |
| "           | d-2      |        | 146759-0-01 | J-14     |        | "           | d-6      |        |
| "           | e-2      |        | 146760-0-01 | J-17     |        | 146904-0-01 | e-4~10   |        |
| "           | e-21     |        | 146761-0-01 | M-14-22  |        | 146905-0-01 | e-9      |        |
| "           | f-2      |        | 146762-0-01 | M-21     |        | 146906-0-01 | j-3~9    |        |
| "           | f-22     |        | 146771-0-01 | b-1-2    |        | "           | j-1~7    |        |
| "           | g-2      |        | 146773-0-01 | c-1-2    |        | "           | K-5~12   |        |
| "           | h-2      |        | "           | d-1-2    |        | 146907-0-01 | j-8      |        |
| "           | j-2      |        | "           | e-1-2    |        | "           | j-6      |        |
| "           | j-14     |        | "           | g-1-2    |        | "           | K-10     |        |
| "           | K-4      |        | "           | h-1-2    |        | 146924-0-00 | A-29     |        |
| "           | K-23     |        | "           | j-1-2    |        | 146926-0-01 | F-23     |        |
| 164440-0-01 | A-36     |        | "           | j-13-14  |        | 146929-0-01 | F-34     |        |
| "           | a-6      |        | "           | K-3-4    |        | 146963-0-01 | b-4~12   |        |
| 146441-0-00 | A-38     |        | 146775-0-01 | f-1-2    |        | 146964-0-01 | b-7      |        |
| 146441-0-01 | a-5      |        | 146779-0-01 | b-13     |        | 146965-0-01 | f-4~12   |        |
| 146442-0-01 | A-35     |        | 146781-0-01 | C-12     |        | 146966-0-01 | f-9      |        |
| "           | a-8      |        | "           | j-10     |        | 146974-0-01 | A-19     |        |
| 146446-0-01 | A-32     |        | 146782-0-01 | K-13     |        | 146974-0-02 | "        |        |
| 146483-0-01 | a-2      |        | "           | d-14     |        | 146974-0-03 | "        |        |
| 146486-0-00 | B-10     |        | "           | j-8      |        | 146974-0-04 | I-13     |        |
| 146547-0-00 | D-51     |        | "           | e-11     |        | 146974-0-07 | J-19     |        |
| 146549-0-01 | D-52     |        | 146783-0-01 | "        |        | 146974-0-08 | "        |        |
| 146577-0-01 | D-42     |        | 146785-0-01 | f-13     |        | 146974-0-14 | M-25     |        |
| 146580-0-01 | E-39     |        | 146786-0-01 | g-10     |        | 146974-0-19 | K-12     |        |
| 146581-0-01 | C-28     |        | "           | h-10     |        | 146974-0-20 | L-12     |        |
| "           | E-31     |        | 146790-0-01 | f-14     |        | 146974-0-21 | M-8      |        |
| 146582-0-01 | E-53     |        | 146791-0-01 | f-15     |        | 146974-0-25 | N-15     |        |
| 146584-0-01 | E-55     |        | 146793-0-01 | a-1      |        | 146974-0-56 | J-13     |        |
| 146585-0-01 | E-48     |        | 146883-0-01 | M-9      |        | 146975-0-04 | C-14     |        |
| 146586-0-00 | E-56     |        | "           | N-1      |        | 146975-0-15 | e-15     |        |
| 146587-0-01 | K-13-44  |        | "           | j-13     |        | 146975-0-17 | f-16     |        |
| "           | "        |        | "           | j-11     |        | 146975-0-19 | g-14     |        |
| "           | L-13~44  |        | "           | K-1      |        | 146975-0-21 | h-14     |        |
| "           | g-15~46  |        | 146884-0-01 | E-59-67  |        | 146975-0-23 | j-12     |        |
| "           | h-15~46  |        | 146886-0-01 | E-61     |        | 146975-0-27 | j-10     |        |
| 146588-0-01 | g-36     |        | 146887-0-01 | C-6      |        | 146975-0-32 | K-17     |        |
| "           | h-36     |        | "           | E-62     |        | 146975-0-39 | b-14     |        |
| 146592-0-01 | K-43     |        | "           | I-5      |        | 146975-0-40 | d-16     |        |
| "           | L-41     |        | "           | J-3      |        | 146975-0-41 | e-15     |        |
| "           | g-45     |        | "           | J-4      |        | 147344-0-01 | F-1      |        |
| "           | h-45     |        | "           | M-3      |        | 147433-0-01 | L-1~7    |        |
| 146596-0-01 | M-22     |        | "           | M-4      |        | 147439-0-01 | h-3~9    |        |
| 146597-0-01 | M-18     |        | "           | N-6      |        | 147440-0-00 | L-50     |        |

| Pars No.    | Ref. No. | Remark | Pars No.    | Ref. No. | Remark | Pars No.    | Ref. No. | Remark |
|-------------|----------|--------|-------------|----------|--------|-------------|----------|--------|
| 147440-0-01 | h-52     |        | 148144-0-01 | E-6      |        | 148259-0-01 | Y-32     |        |
| 147629-0-01 | B-9-11   |        | 148145-0-01 | E-5      |        | 148262-0-01 | D-48-50  |        |
| 147631-0-01 | B-11     |        | 148146-0-01 | E-3      |        | 148269-0-01 | B-1-8    |        |
| 147691-0-00 | B-31     |        | 148147-0-01 | E-1      |        | 148281-0-01 | E-40     |        |
| "           | B-32     |        | 148148-0-01 | E-71     |        | 148290-0-01 | Z-3      |        |
| 147710-0-01 | J-7-17   |        | 148149-0-01 | E-70     |        | 148292-0-01 | Z-5      |        |
| 147711-0-01 | J-9      |        | 148163-0-01 | D-21-24  |        | 148304-0-01 | A-53     |        |
| 147712-0-01 | J-15     |        | 148166-0-01 | D-23     |        | 148311-0-01 | J-1-9    |        |
| 147713-0-01 | J-11     |        | 148167-0-01 | D-3      |        | 148313-0-01 | J-5      |        |
| 147838-0-11 | b-3      |        | 148168-0-00 | D-4      |        | 148314-0-01 | J-10-12  |        |
| 147893-0-01 | Y-25     |        | 148169-0-00 | D-20     |        | 148315-0-01 | B-28     |        |
| 147919-0-01 | Z-1      |        | 148170-0-01 | D-49-50  |        | 148346-0-01 | E-22-25  |        |
| 147919-0-02 | Z-2      |        | 148173-0-00 | D-48     |        | 148352-0-01 | J-10-12  |        |
| 147933-0-01 | K-21     |        | 148174-0-00 | D-36     |        | 148354-0-01 | J-11     |        |
| "           | L-21     |        | 148175-0-00 | D-47     |        | 148355-0-01 | J-12     |        |
| "           | g-31     |        | 148176-0-01 | D-27     |        | 148373-0-00 | B-41     |        |
| "           | h-23     |        | 148177-0-01 | D-17     |        | 148403-0-00 | D-55     |        |
| 147934-0-01 | C-42-43  |        | 148178-0-01 | D-16     |        | 148404-0-01 | D-59     |        |
| 147935-0-01 | M-12-13  |        | 148179-0-01 | D-10     |        | 148430-0-01 | Y-14     |        |
| 147936-0-01 | d-12-13  |        | 148180-0-01 | D-8      |        | 148431-0-01 | Y-17     |        |
| "           | j-15-16  |        | 148181-0-01 | D-5      |        | 148432-0-01 | Y-18     |        |
| 147937-0-01 | I-26-27  |        | "           | D-19     |        | 148753-0-01 | L-9      |        |
| "           | K-30-31  |        | 148182-0-01 | D-18     |        | "           | h-12     |        |
| "           | N-28-29  |        | 148183-0-01 | D-6      |        | 148754-0-01 | L-10     |        |
| "           | e-28-29  |        | 148184-0-00 | D-32     |        | "           | h-11     |        |
| "           | f-29-30  |        | 148185-0-01 | D-33     |        | 148782-0-01 | C-56     |        |
| 147943-0-01 | A-42     |        | 148186-0-01 | D-35     |        | 148783-0-01 | C-55     |        |
| 148065-0-01 | A-16     |        | "           | D-56     |        | "           | I-23     |        |
| 148066-0-00 | A-18     |        | 148187-0-01 | I-10     |        | "           | N-25     |        |
| 148067-0-01 | A-2      |        | "           | N-12     |        | "           | e-25     |        |
| 148068-0-00 | A-3      |        | "           | e-12     |        | "           | f-26     |        |
| 148069-0-01 | A-72     |        | "           | K-14     |        | "           | K-27     |        |
| 148070-0-01 | A-76     |        | 148188-0-01 | K-10     |        | 148813-0-01 | E-24     |        |
| 148071-0-00 | A-73     |        | "           | g-12     |        | 148838-0-01 | D-12     |        |
| 148072-0-01 | A-71     |        | 148189-0-01 | I-11     |        | 148847-0-01 | D-11     |        |
| 148073-0-01 | A-12     |        | "           | K-9      |        | "           | D-13     |        |
| 148074-0-01 | A-6      |        | "           | N-13     |        | 148851-0-01 | f-31     |        |
| 148075-0-00 | A-4      |        | "           | e-13     |        | 148857-0-01 | B-45     |        |
| 148076-0-01 | A-66     |        | "           | g-11     |        | "           | C-5      |        |
| 148077-0-01 | A-61     |        | "           | k-15     |        | "           | C-48     |        |
| 148078-0-01 | A-49     |        | 148196-0-00 | E-38     |        | "           | D-26     |        |
| 148079-0-01 | A-34-38  |        | 148197-0-00 | E-32     |        | 148858-0-01 | B-10     |        |
| 148081-0-01 | A-41     |        | 148198-0-01 | E-42     |        | "           | B-12-17  |        |
| 148082-0-01 | A-57     |        | "           | Y-30     |        | "           | B-18-21  |        |
| 148083-0-01 | A-56     |        | 148200-0-01 | C-51-52  |        | "           | B-44     |        |
| 148084-0-01 | A-23     |        | 148204-0-01 | C-45     |        | "           | B-72-75  |        |
| 148085-0-01 | A-26     |        | 148205-0-01 | B-46     |        | 148859-0-00 | A-78     |        |
| 148086-0-00 | B-40     |        | 148206-0-01 | C-25     |        | 149005-0-01 | Y-19     |        |
| 148087-0-01 | A-46     |        | 148207-0-00 | C-26     |        | 150160-0-01 | Z-8      |        |
| 148088-0-00 | A-47     |        | 148208-0-01 | C-29     |        | 150161-0-01 | Z-8      |        |
| 148089-0-01 | A-59     |        | 148209-0-01 | C-32-40  |        | 180323-0-01 | C-12-13  |        |
| 148090-0-01 | A-51     |        | 148217-0-01 | I-14-23  |        | 181031-0-01 | P-1-7    |        |
| 148091-0-01 | A-33     |        | "           | K-18-27  |        | 181628-0-01 | C-47-48  |        |
| 148092-0-01 | M-24     |        | "           | N-16-24  |        | 181629-0-01 | C-2-4-5  |        |
| 148096-0-01 | a-5-8    |        | "           | e-16-25  |        | 181630-0-01 | C-3-6-7  |        |
| 148098-0-01 | a-9      |        | "           | f-17-26  |        | 181631-0-01 | C-46-49  |        |
| 148109-0-01 | B-48     |        | 148220-0-01 | C-2-7    |        | "           | C-50     |        |
| 148111-0-00 | B-51     |        | 148224-0-01 | C-2      |        | 181969-0-03 | A-63-64  |        |
| 148112-0-00 | B-49     |        | 148225-0-01 | B-42     |        | 181995-0-01 | D-28-29  |        |
| 148120-0-00 | B-25     |        | 148226-0-01 | C-10     |        | "           | L-19-20  |        |
| 148121-0-00 | B-15     |        | 148227-0-00 | C-11     |        | 181995-0-02 | K-19-20  |        |
| 148123-0-01 | B-14     |        | 148228-0-00 | C-15     |        | "           | g-21-22  |        |
| 148124-0-01 | B-66     |        | 148229-0-01 | C-14     |        | "           | h-21-22  |        |
| 148128-0-01 | E-11     |        | 148247-0-01 | B-33     |        | 148925-0-01 | J-14     |        |
| 148129-0-01 | E-12     |        | 148248-0-00 | D-2      |        |             |          |        |
| 148130-0-01 | E-13     |        | 148249-0-00 | C-41     |        |             |          |        |
| 148131-0-01 | E-18-19  |        | "           | I-25     |        |             |          |        |
| 148133-0-01 | E-19     |        | "           | N-27     |        |             |          |        |
| 148134-0-01 | F-16     |        | "           | e-27     |        |             |          |        |
| 148135-0-01 | E-15     |        | "           | f-28     |        |             |          |        |
| 148136-0-01 | E-29     |        | "           | K-29     |        |             |          |        |
| 148137-0-01 | E-27     |        | 148250-0-01 | C-53     |        |             |          |        |
| 148138-0-01 | E-28     |        | 148251-0-01 | C-23     |        |             |          |        |
| 148139-0-01 | E-26     |        | 148253-0-01 | F-20     |        |             |          |        |
| 148143-0-01 | E-7      |        | 148254-0-01 | F-22     |        |             |          |        |
| 148144-0-01 | E-4      |        | 148258-0-01 | Y-19     |        |             |          |        |

