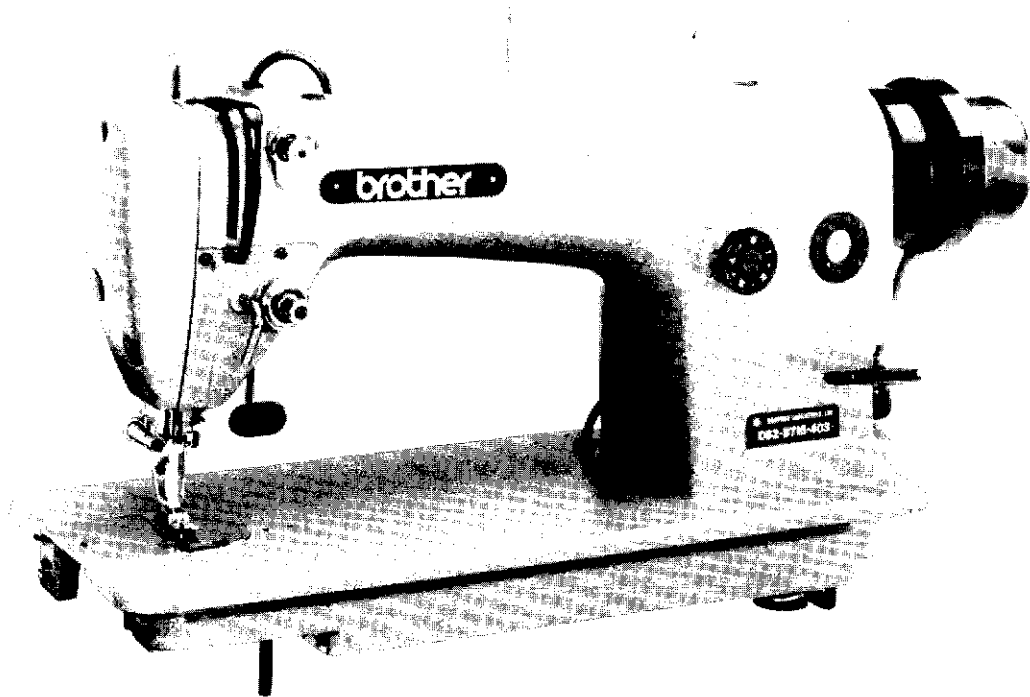


brother

PARTS BOOK

DB2-B716


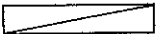


High Speed Single Needle Straight Stitcher
with Automatic Thread Trimmer


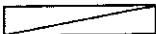
BROTHER INDUSTRIES, LTD.

NAGOYA, JAPAN


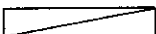
Notes for using this parts book

1. If the symbol  is found in the "Parts No." column or the "Assembly No." column, refer to the different parts list on page 13.
2. The symbol  in the "Parts No." column indicates that the parts is not available for supply. If, however, there is a number in the "Assembly No." column, the parts can be ordered as an assembly. Please, therefore, order by using the Assembly No.
3. This book was prepared based on information available in June, 1981.
4. Parts are subject to changes in design without prior notice.


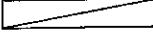
Anmerkungen zum Gebrauch dieses Stücklistebuches

1. Dieses Zeichen  in der Spalte "Parts No. (Teilnummer)" oder "Assembly No. (Gerätesatznummer)" verweist auf die Gesonderte Stückliste auf Seite 13.
2. Dieses Zeichen  in der Spalte "Teilnummer" bedeutet, daß dieser Teil nicht lieferbar ist. Wenn jedoch in der Spalte "Gerätesatznummer" eine Nummer steht, kann dieser Teil als ein Geräteteilsatz bestellt werden. Bestellen Sie daher bitte mit dieser Gerätesatznummer.
3. Dieses Buch basiert auf den Informationen vom Juni, 1981.
4. Modelländerungen sind vorbehalten.

Notes sur l'utilisation de ce manuel de pièces détachées

1. Si le symbole  se trouve dans la colonne "Parts No. (N° de pièce)" ou dans la colonne "Assembly No. (N° jeu de pces)", veuillez vous référer à la liste de pièces annexe page 13.
2. Le symbole  dans la colonne "N° de pièce" signifie que la pièce ne peut être fournie. Si, dans la colonne "N° jeu de pces", il y a un numéro de nomenclature, la pièce peut être commandée comme faisant partie d'un jeu de pièces. Donc, pour toute commande, veuillez spécifier le n° du jeu de pièces.
3. Ce manuel a été fait d'après les renseignements valables au mois de Juin 1981.
4. Les pièces peuvent être sujettes à des modifications sans préavis.

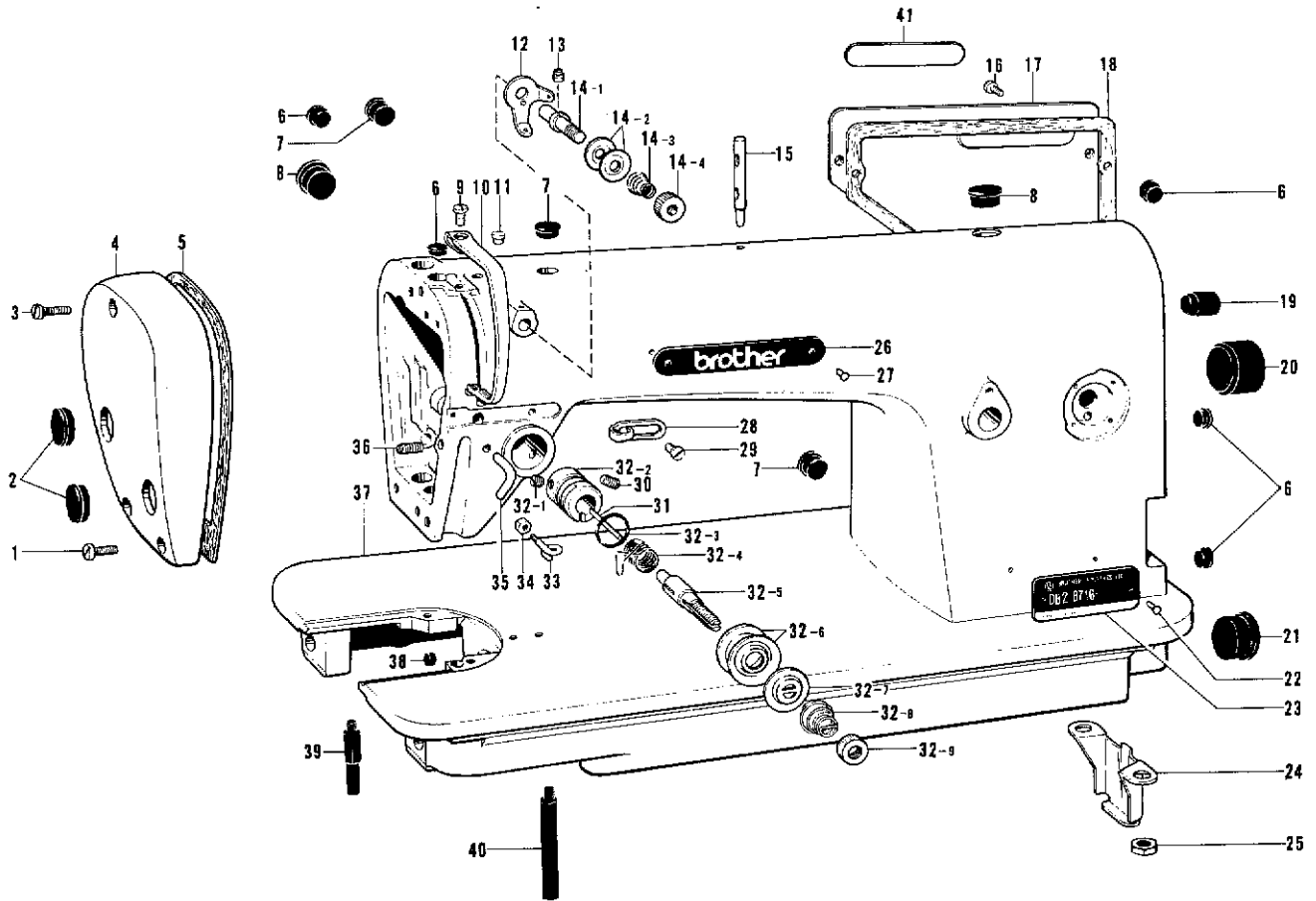
Notas para usar este Libro de Piezas

1. De haber un símbolo  junto al "Parts No. (Número de Pieza)" o en la columna del "Assembly No. (Número de Juego)", habrá que mirar la lista de piezas separada de la página 13.
2. El símbolo , que se encuentra en la columna del "Número de Pieza", quiere decir que no se dispone de dicha pieza sola. Cuando, empero, hay un número en la columna del "Número de Juego", se podrá ordenar la pieza con todo el juego. Por lo tanto, será mejor hacer el pedido recurriendo al número del juego respectivo.
3. Este libro ha sido compilado basándose en los datos de que se disponía en junio de 1981.
4. Las piezas quedan sujetas a cambios de diseño sin aviso previo.

CONTENTS

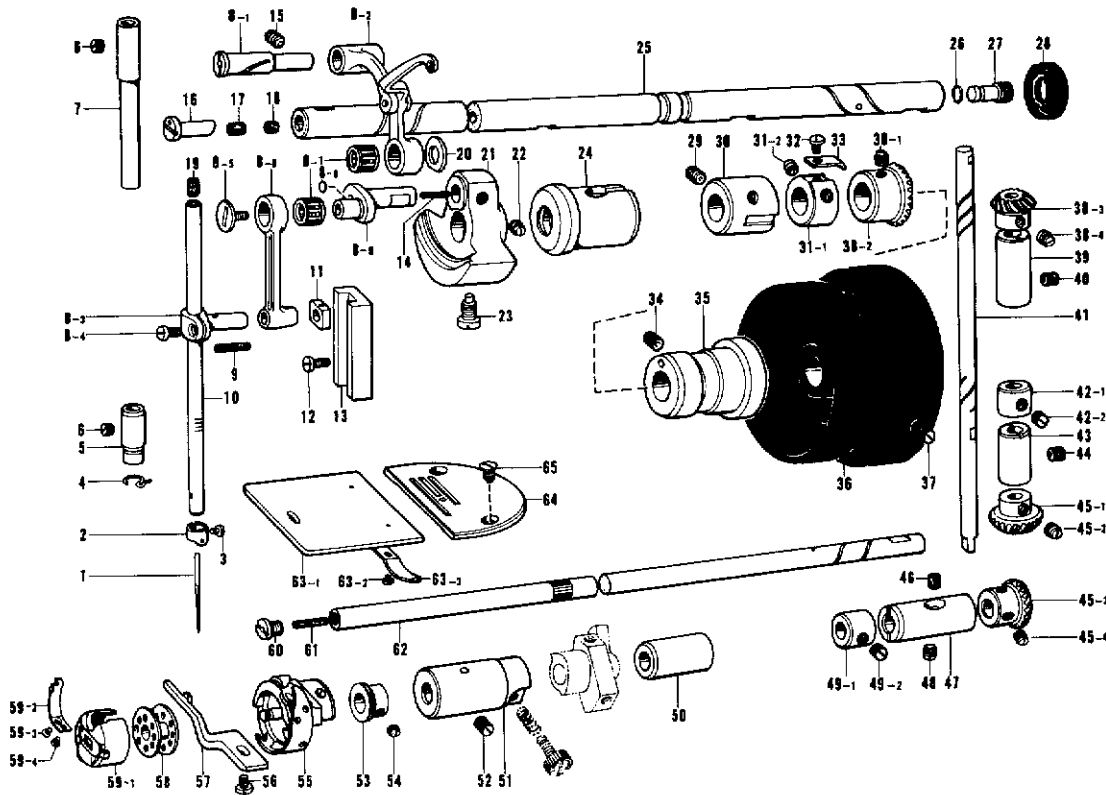
A. Machine Body and Threading	1
B. Upper Shaft, Thread Take-up and Rotary Hook Mechanism	2
C. Feed Mechanism (Part 1)	3
C. Feed Mechanism (Part 2)	4
D. Presser Foot and Knee Lifter Mechanism	5
a. Special Order Parts	5
E. Lubrication	6
F. Thread Trimmer and Tension Releaser	7
G. Quick Back Switch Mechanism	8
H. Thread Wiper Mechanism	9
J. Synchronizer	10
K. Bobbin Winder Mechanism	11
Z. Accessories	12
DIFFERENT PARTS LIST	13
INDEX	13

A. Machine Body and Threading



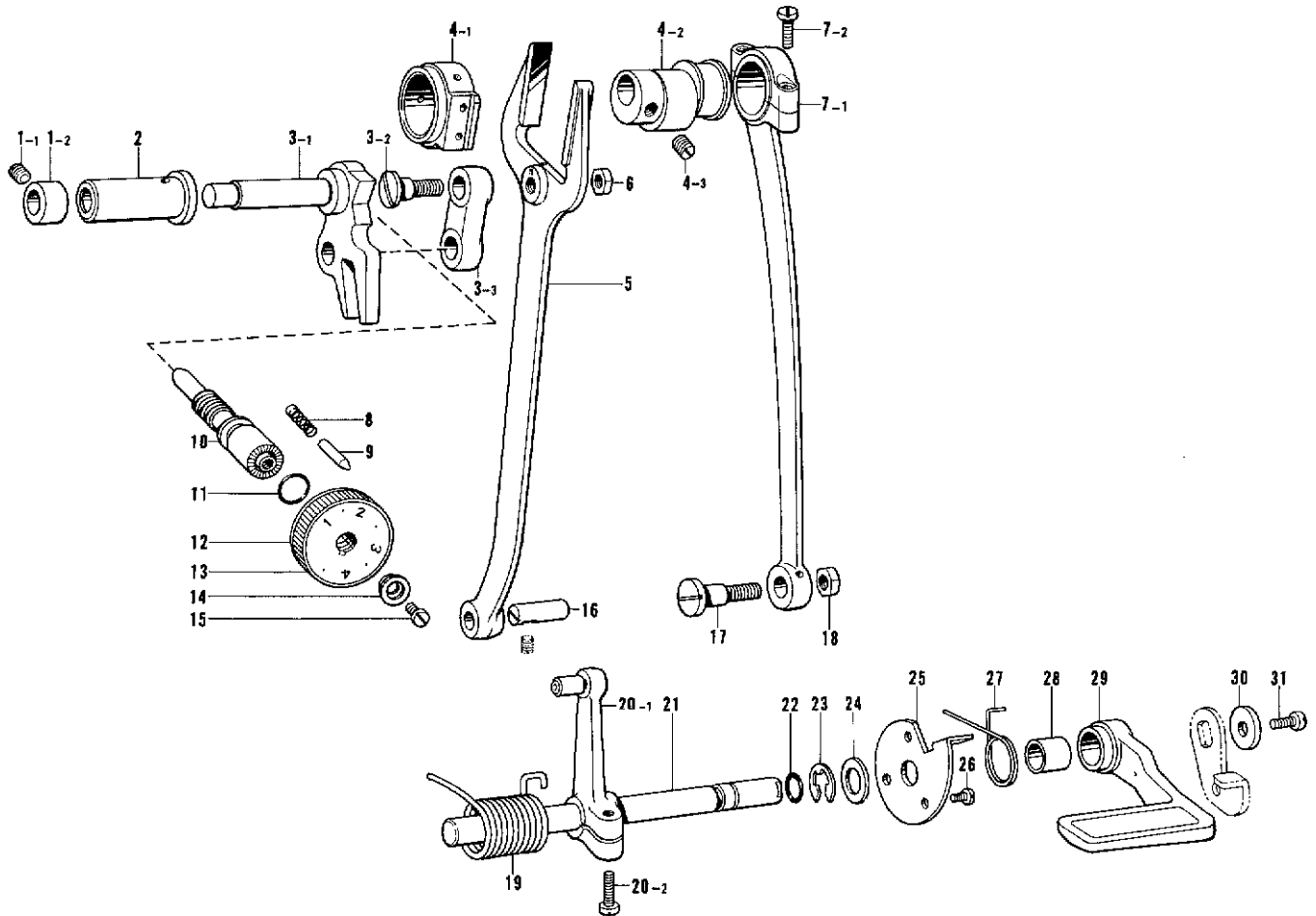
Ref. No.	Name of Parts	Q'ty	Parts No.	Assembly No.	Ref. No.	Name of Parts	Q'ty	Parts No.	Assembly No.
A-1	Screw 3.57 x 10	2	009671-0-12		A-24	Pump Cover	1	145454-0-01	
A-2	Oil Cap	2	104449-0-01		A-25	Nut 7.14	2	100090-0-04	
A-3	Screw 3.57 x 18	1	009671-8-12		A-26	Name Plate	1		
A-4	Face Plate	1	146078-0-02		A-27	Pin	2		
A-5	Packing	1	145527-0-00		A-28	Thread Guide R	1	145522-0-01	
A-6	Oil Cap	7	104450-0-01		A-29	Screw 3.57 x 6	1	009670-6-12	
A-7	Oil Cap	3	104821-0-01		A-30	Screw 5.95	1	103950-0-03	
A-8	Oil Cap	2	104449-0-01		A-31	Tension Release Pin	1	150551-0-00	
A-9	Screw 4.37 x 7	1	009680-7-12		A-32-1	Screw 3.57	1	100402-0-04	
A-10	Thread Take-up Cover	1	140885-0-04		A-32-2	Upper Tension Regulator Bracket	1	144741-0-01	
A-11	Oil Cap	1	111865-0-01		A-32-3	Packing	1	114294-0-01	
A-12	Thread Guide	1	154563-0-01		A-32-4	Thread Take-up Spring	1	145519-0-01	
A-13	Screw 4.37	1	151602-0-02		A-32-5	Tension Stud	1	100398-0-01	
A-14-1	Pre-Tension Stud	1	154559-0-01	A-14 Pre-tension Assembly A 183124-0-01	A-32-6	Tension Disc	2	145446-0-01	A-32 Tension Regulator Assembly 181634-0-01
A-14-2	Thread Guide Disc	2	144504-0-01		A-32-7	Tension Disc Washer	1	100134-0-01	
A-14-3	Spring A	1	154560-0-01		A-32-8	Tension Spring	1	145520-0-01	
A-14-4	Nut	1	155510-0-01		A-32-9	Tension Control Nut	1	100136-0-01	
A-15	Spool Pin	1	147557-0-01		A-33	Arm Thread Guide L	1	145524-0-01	
A-16	Screw 3.57 x 8	5	009670-8-12		A-34	Nut 3.18	1	021660-1-02	
A-17	Rear Cover	1	145455-0-02		A-35	Thread Guide	1	116112-0-01	
A-18	Packing	1	145528-0-00		A-36	Screw 4.76	1	153483-0-01	
A-19	Oil Cap	1	104832-0-01		A-37	Arm Bed	1		
A-20	Oil Cap	1	104451-0-01		A-38	Cap	1	142274-0-01	
A-21	Oil Cap	1	108520-0-01		A-39	Bed Leg B	1	104830-1-01	
A-22	Pin	2			A-40	Bed Leg A	1	104829-1-01	
A-23	Model Plate	1			A-41	Name Plate	1		

B. Upper Shaft, Thread Take-up and Rotary Hook Mechanism



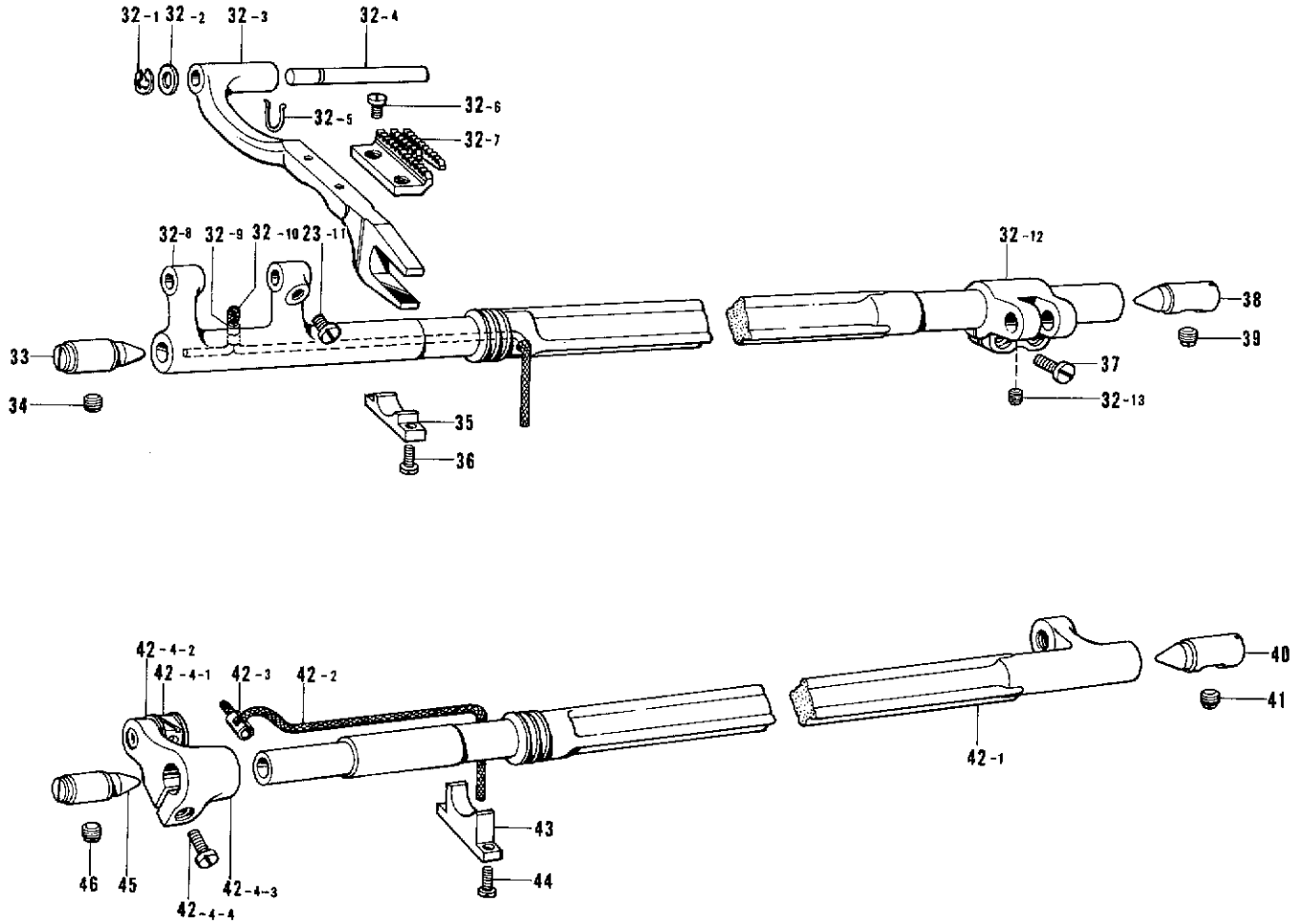
Ref. No.	Name of Parts	Q'ty	Parts No.	Assembly No.	Ref. No.	Name of Parts	Q'ty	Parts No.	Assembly No.
B- 1	Needle DB x 1	1	100265-0-31		B-36	Pulley	1		
B- 2	Needle Bar Thread Guide	1	151594-0-01		B-37	Screw 5.95	2	013761-4-10	
B- 3	Screw 3.18	1	140553-1-02		B-38-1	Screw 6.35	2	100251-0-01	B-38 Bevel Gear Upper Assembly 140378-0-01
B- 4	Thread Guide Under	1	100573-0-01		B-38-2	Gear	1		
B- 5	Needle Bar Bushing D	1	145468-0-01		B-38-3	Gear U	1		
B- 6	Screw 5.95	2	100260-0-01		B-38-4	Screw 6.35	2	100251-0-01	
B- 7	Needle Bar Bushing Upper	1	111463-0-01		B-39	Vertical Shaft Upper Bushing	1	142708-0-00	
B- 8-1	Stud	1		B-8 Thread Take-up Lever Assembly 147551-1-01	B-40	Screw 5.95 x 6	1	013760-6-10	
B- 8-2	Thread Take-up Supporter Assembly	1			B-41	Vertical Shaft	1	145516-0-01	
B- 8-3	Needle Bar Clamp	1			B-42-1	Set Collar	1		B-42 Collar Assembly 181995-0-01
B- 8-4	Screw 3.57	1	140004-0-01		B-42-2	Screw 6.35	2	101706-0-03	
B- 8-5	Screw 3.57	1	145465-0-01		B-43	Vertical Shaft Lower Bushing	1	142709-0-00	
B- 8-6	Needle Bar Crank Rod	1			B-44	Screw 5.95	1	013761-4-10	
B- 8-7	Needle Bearing	2			B-45-1	Gear D	1		B-45 Bevel Gear Lower Assembly 140381-0-01
B- 8-8	Cap	1			B-45-2	Screw 6.35	2	100251-0-01	
B- 8-9	Needle Bar Crank	1		B-45-3	Gear	1			
B- 9	Wick 6 x 6 (16mm)	1	108809-0-01		B-45-4	Screw 6.35	2	100251-0-01	
B-10	Needle Bar	1	111462-0-01		B-46	Felt	1	107155-0-01	
B-11	Needle Bar Guide Slide Block	1	102630-0-01		B-47	Lower Shaft Bushing Right	1	104520-0-00	
B-12	Screw 3.57 x 6	2	009670-6-12		B-48	Screw 4.37	1	151607-0-01	
B-13	Needle Bar Guide	1	145688-0-00		B-49-1	Set Collar	1		B-49 Collar Assembly 181995-0-01
B-14	Felt	1	145624-0-00		B-49-2	Screw 6.35	2	101706-0-03	
B-15	Screw 6.35 x 10	1	013781-0-12		B-50	Lower Shaft Bushing Middle	1	118762-0-00	
B-16	Oil Adjustor	1	146333-0-01		B-51	Lower Shaft Bushing Left	1	118761-0-00	
B-17	Felt 7 x 10	1	146327-0-01		B-52	Screw 4.37	1	151603-0-02	
B-18	Felt	1	107149-0-01		B-53	Oil Rejector	1		
B-19	Needle Bar Cork	1	111863-0-01		B-54	Screw 4.37	2	102716-0-01	
B-20	Washer	1	110367-0-01		B-55	Rotary Hook Assembly	1	153131-0-01	
B-21	Thread Take-up Crank	1	148965-0-00		B-56	Screw 4.37	1	107407-0-03	
B-22	Screw 6.35	2	100251-0-01		B-57	Bobbin Case Holder Position Bracket	1	100367-0-01	
B-23	Screw 7.14	1	104464-0-01		B-58	Bobbin	1	117132-0-01	
B-24	Upper Shaft Bushing Left	1	145459-1-01		B-59-1	Bobbin Case	1		B-59 Bobbin Case Assembly 148350-1-01
B-25	Upper Shaft	1	147511-0-01		B-59-2	Spring Set Screw	1	181938-0-01	
B-26	O Ring PW2	1	081002-6-70		B-59-3	Spring Adjusting Screw	1	181937-0-01	
B-27	Oil Screw Right	1	104555-0-01		B-59-4	Lower Thread Adjusting Spring	1	182392-0-01	
B-28	Oil Seal	1	101487-0-00		B-60	Screw	1	109173-0-01	
B-29	Screw 5.95 x 6	1	013760-6-10		B-61	Felt	1	145751-0-01	
B-30	Upper Shaft Bushing Intermediate	1	140726-0-00		B-62	Lower Shaft	1	154552-0-01	
B-31-1	Set Collar	1		B-31 Collar Assembly 181916-0-01	B-63-1	Slide Plate	1		B-63 Slide Plate Assembly 180018-0-01
B-31-2	Screw 6.35	2	100251-0-01		B-63-2	Screw 2.38	2	122771-0-01	
B-32	Screw 3.57 x 4	1	009670-4-12		B-63-3	Slide Plate Spring	1	114561-0-01	
B-33	Feed Cam Stopper	1	147764-0-01		B-64	Needle Plate B16	1	153190-0-01	
B-34	Screw 5.95 x 6	1	013760-6-10		B-65	Screw 4.37	2	100032-0-04	
B-35	Upper Shaft Bushing Right	1	145461-1-01						

C. Feed Mechanism (Part 1)



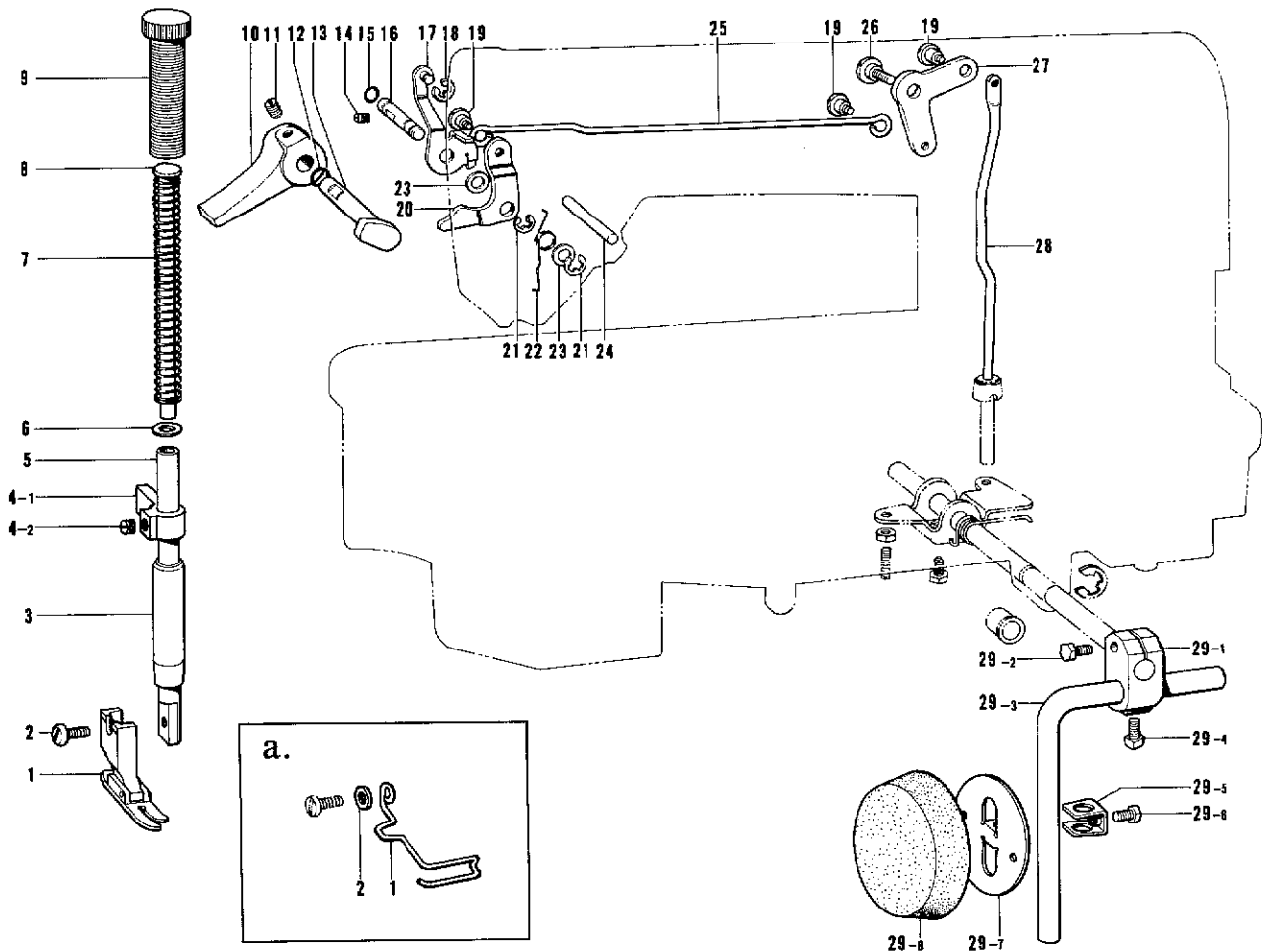
Ref. No.	Name of Parts	Q'ty	Parts No.	Assembly No.	Ref. No.	Name of Parts	Q'ty	Parts No.	Assembly No.
C- 1-1	Screw 5.95	1	100260-0-01	C-1 Collar Assembly 181934-0-01	C-14	Washer	1	142746-0-02	
C- 1-2	Set Collar	1			C-15	Screw 4.76	1	142747-0-02	
C- 2	Feed Regulator Shaft Bushing	1	147500-0-00	C-3 Feed Regulator Assembly 147628-0-01	C-16	Feed Rock Shaft Arm Pin	1	109153-0-01	
C- 3-1	Feed Regulator	1			C-17	Stud Screw 7.14	1	147509-0-01	
C- 3-2	Stud Screw 7.14	1	145486-0-01		C-18	Nut 7.14	1	104689-0-01	
C- 3-3	Feed Link	1	147502-0-00	C-4 Feed Cam Sleeve Assembly 147573-0-01	C-19	Spring	1	147598-0-01	
C- 4-1	Feed Cam Sleeve	1			C-20-1	Lever Assembly	1		C-20 Feed Regulator Lever Assembly 181935-0-01
C- 4-2	Feed Cam	1			C-20-2	Screw 4.76 x 14	1	009711-4-12	
C- 4-3	Screw 5.95	2	151604-0-01		C-21	Reverse Lever Shaft	1	149085-0-01	
C- 5	Feed Forked Connector	1	109147-0-01	C-22	O Ring	1	104564-0-01		
C- 6	Nut 7.14	1	104689-0-01	C-7 Crank Rod Assembly 145506-0-01	C-23	Stop Ring E8	1	048080-3-42	
C- 7-1	Crank Rod	1			C-24	Washer 10	1	025100-1-32	
C- 7-2	Screw 4.76	2	107428-0-01		C-25	Reverse Lever Stopper	1		
C- 8	Notch Spring	1	100328-0-01	C-26	Screw 3.57 x 5	3	007670-5-13		
C- 9	Pin	1	145502-0-01	C-27	Reverse Lever Presser Spring	1	149088-0-01		
C-10	Length Control Screw	1	109151-1-01	C-28	Collar	1	149087-0-01		
C-11	O Ring	1	108549-0-01	C-29	Reverse Lever	1	149086-0-01		
C-12	Length Control Dial	1	153168-0-01	C-30	Washer	1	116662-0-03		
C-13	Feed Regulator Plate	1		C-31	Screw 4.76 x 8	1	009710-8-12		

C. Feed Mechanism (Part 2)



Ref. No.	Name of Parts	Q'ty	Parts No.	Assembly No.	Ref. No.	Name of Parts	Q'ty	Parts No.	Assembly No.
C-32- 1	Stop Ring E4	1	048040-3-42	C-32 Feed Rock Shaft Assembly 183112-0-01	C-37	Screw 4.37 x 12	2	009681-2-12	
C-32- 2	Ring	1	115663-0-01		C-38	Taper Center Right	1	104848-0-01	
C-32- 3	Feed Bar	1	147767-0-01		C-39	Screw 6.35	1	100251-0-01	
C-32- 4	Feed Bar Shaft	1	147508-0-01		C-40	Taper Center Right	1	104848-0-01	
C-32- 5	Wick Hanger	1	150342-0-01		C-41	Screw 6.35	1	100251-0-01	
C-32- 6	Screw 3.18	2	100080-0-03		C-42-1	Feed Lifting Shaft	1	147510-0-01	C-42 Feed Lifting Shaft Assembly 183117-0-01
C-32- 7	Feed Dog	1	100334-0-01		C-42-2	Wick 4 x 4 (250mm)	1	108802-0-01	
C-32- 8	Feed Rock Shaft	1	147506-0-01		C-42-3	Wick Supporter	1	104567-0-01	C-42-4 Feed Lifting Arm Assembly 181941-0-01
C-32- 9	Vinyle Tube	1	150340-0-00		C-42-4-1	Slide Block Assembly	1		
C-32-10	Wick 4 x 4 (350mm)	1	108801-0-01		C-42-4-2	Washer	1		
C-32-11	Screw 4.37	1	104908-0-01		C-42-4-3	Feed Lifting Arm	1		
C-32-12	Feed Rock Shaft Arm	1	109152-0-01		C-42-4-4	Screw 4.37 x 16	1	009681-6-12	
C-32-13	Screw 4.37	1	151601-0-02		C-43	Oil Stopper	1	118559-0-01	
C-33	Taper Center Left	1	104847-0-01	C-44	Screw 3.57 x 8	2	009670-8-12		
C-34	Screw 6.35	1	100251-0-01	C-45	Taper Center Left	1	104847-0-01		
C-35	Oil Stopper	1	118558-0-01	C-46	Screw 6.35	1	100251-0-01		
C-36	Screw 3.57 x 8	2	009670-8-12						

D. Presser Foot and Knee Lifter Mechanism

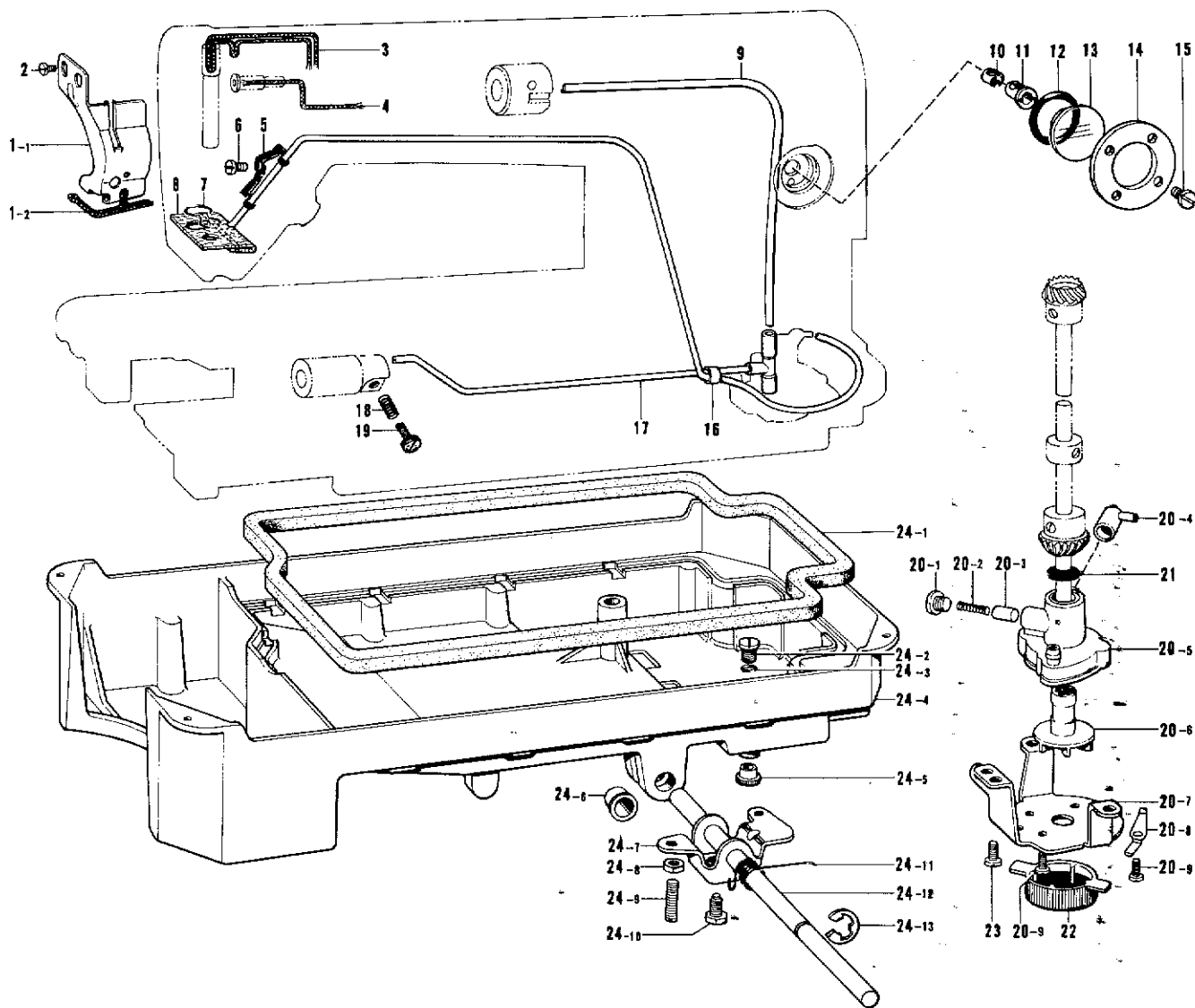


Ref. No.	Name of Parts	Q'ty	Parts No.	Assembly No.	Ref. No.	Name of Parts	Q'ty	Parts No.	Assembly No.
D- 1	Presser Foot	1	153037-0-01		D-18	Stop Ring E3	1	048030-3-42	
D- 2	Screw 3.57 x 10	1	001671-0-12		D-19	Stud Screw 4.76	3	145478-0-01	
D- 3	Presser Bar Bushing	1	145472-0-01		D-20	Presser Bar Lifter Lever Shaft	1	145580-0-01	
D- 4-1	Presser Bar Clamp	1		D-4 Presser Bar Clamp Assembly 181919-0-01	D-21	Stop Ring E4	2	048040-3-42	
D- 4-2	Screw 5.95 x 6	1	013760-6-10		D-22	Spring	1	145475-1-01	
D- 5	Presser Bar	1	111466-0-01		D-23	Washer	2	109763-0-02	
D- 6	Washer	1	140407-0-01		D-24	Tension Release Stud	1	145691-0-01	
D- 7	Presser Spring	1	147514-0-01		D-25	Knee Lifter Connector	1	154550-0-01	
D- 8	Presser Spring Bar	1	141208-0-01		D-26	Stud Screw 6.35	1	145480-0-01	
D- 9	Screw	1	141207-0-01		D-27	Knee Lifter Lever	1	145479-0-01	
D-10	Presser Bar Lifter	1	145482-0-01		D-28	Knee Lifter Bar	1	145481-0-01	
D-11	Screw 4.76	1	013710-5-12		D-29-1	Knee Lifter Joint	1	146039-0-01	
D-12	O Ring PW1	1	081001-6-70		D-29-2	Bolt 5.95 x 20	1	017762-0-13	
D-13	Presser Bar Lifter Crank	1	145483-0-01		D-29-3	Knee Lifter Bar	1	104619-0-02	D-29 Knee Lifter Assembly 181427-0-01
D-14	Screw 3.57	1	100128-0-02		D-29-4	Bolt 7.94	1	100463-0-01	
D-15	O Ring PW1	1	081001-6-70		D-29-5	Knee Lifter Plate Stopper	1	114967-0-01	
D-16	Presser Bar Lifter Lever Shaft	1	145474-0-01		D-29-6	Bolt 5.95	1	110087-0-01	
D-17	Tension Releaser Assembly	1	145689-0-01		D-29-7	Knee Lifter Plate	1	114966-0-01	
					D-29-8	Knee Lifter Cover	1	140503-0-01	

a. Special Order Parts

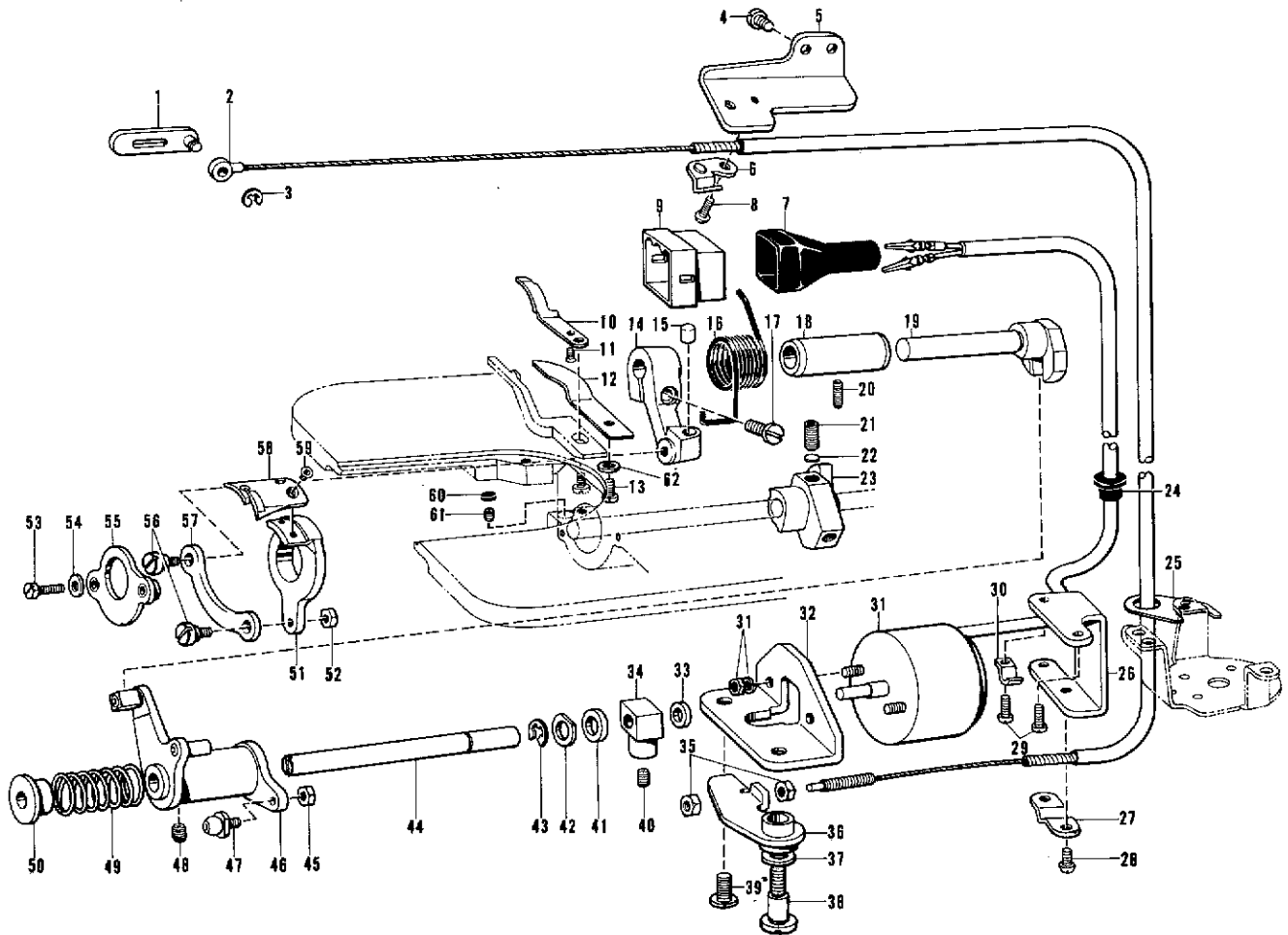
Ref. No.	Name of Parts	Q'ty	Parts No.	Assembly No.	Ref. No.	Name of Parts	Q'ty	Parts No.	Assembly No.
a- 1	Finger Guard	1	150384-0-01		a- 2	Washer 3.5	1	025350-1-32	

E. Lubrication



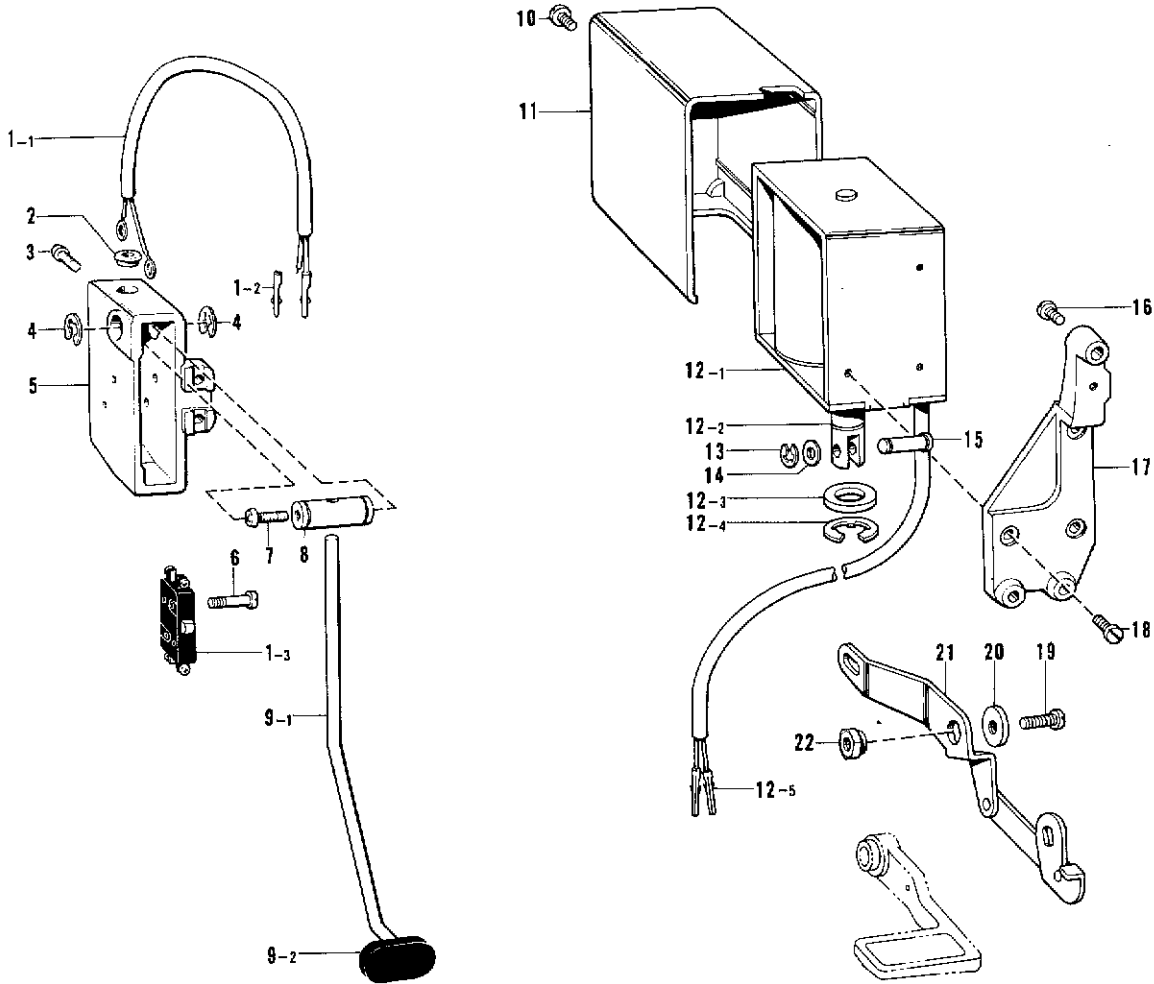
Ref. No.	Name of Parts	Q'ty	Parts No.	Assembly No.	Ref. No.	Name of Parts	Q'ty	Parts No.	Assembly No.
E- 1- 1	Oil Stopper Plate	1		E-1 Oil Stopper Plate Assembly 181639-0-01	E-20- 3	Plunger	1	144875-0-01	E-20 Pump Body Assembly 181476-1-01
E- 1- 2	Wick 4 x 4 (100mm)	1	109405-0-01		E-20- 4	Joint B	1	144878-0-01	
E- 2	Screw 3.57 x 5	2	009670-5-12		E-20- 5	Pump Body	1	148848-0-01	
E- 3	Wick 4 x 4 (510mm)	1	108804-0-01		E-20- 6	Pump Propeller	1	148849-0-01	
E- 4	Wick 4 x 4 (100mm)	1	109405-0-01		E-20- 7	Pump	1	144869-0-01	
E- 5	Tube Holder	1	145547-0-01		E-20- 8	Spring	2	144874-0-01	
E- 6	Screw 3.57 x 5	1	009670-5-13		E-20- 9	Screw 3.57 x 8	4	009670-8-12	
E- 7	Felt Support	1	145737-0-01		E-21	Oil Stopper	1	146196-0-01	
E- 8	Tube Assembly	1	145543-0-01		E-22	Pump Filter	1	144872-0-01	
E- 9	Oil Tube Upper	1	147496-0-00		E-23	Screw 4.37 x 7	3	009680-7-13	
E-10	Tube Holder Cap	1	146314-0-00		E-24- 1	Packing	1	146040-0-01	E-24 Oil Pan Assembly 181420-2-01
E-11	Tube Holder	1	145529-0-00		E-24- 2	Screw 7.94	1	140518-0-01	
E-12	O Ring PW14	1	081014-6-70		E-24- 3	O Ring P7	1	081007-0-70	
E-13	Oil Gauge Window	1	104547-0-01		E-24- 4	Oil Pan	1	149580-0-01	
E-14	Oil Gauge Flange	1	151074-0-01		E-24- 5	Oil Cap	1	140480-0-01	
E-15	Screw 3.57	4	100257-0-10		E-24- 6	Bushing	2	149578-0-00	
E-16	Tube	1	146253-0-00		E-24- 7	Knee Lifter	1	146037-0-01	
E-17	Oil Tube D Assembly	1	154555-0-01		E-24- 8	Nut 5.95	2	100022-0-04	
E-18	Spring	1	116794-0-01		E-24- 9	Screw 5.95	2	104885-0-01	
E-19	Screw	1	145534-0-01		E-24-10	Bolt 5.95	1	146367-0-01	
E-20- 1	Screw 6.35	1	112467-0-02	E-20 Pump Body Assembly 181476-1-01	E-24-11	Spring	1	146038-0-01	
E-20- 2	Spring	1	144876-0-01		E-24-12	Knee Lifter Shaft	1	146036-1-01	
					E-24-13	Stop Ring E10	1	146293-0-01	

F. Thread Trimmer and Tension Releaser



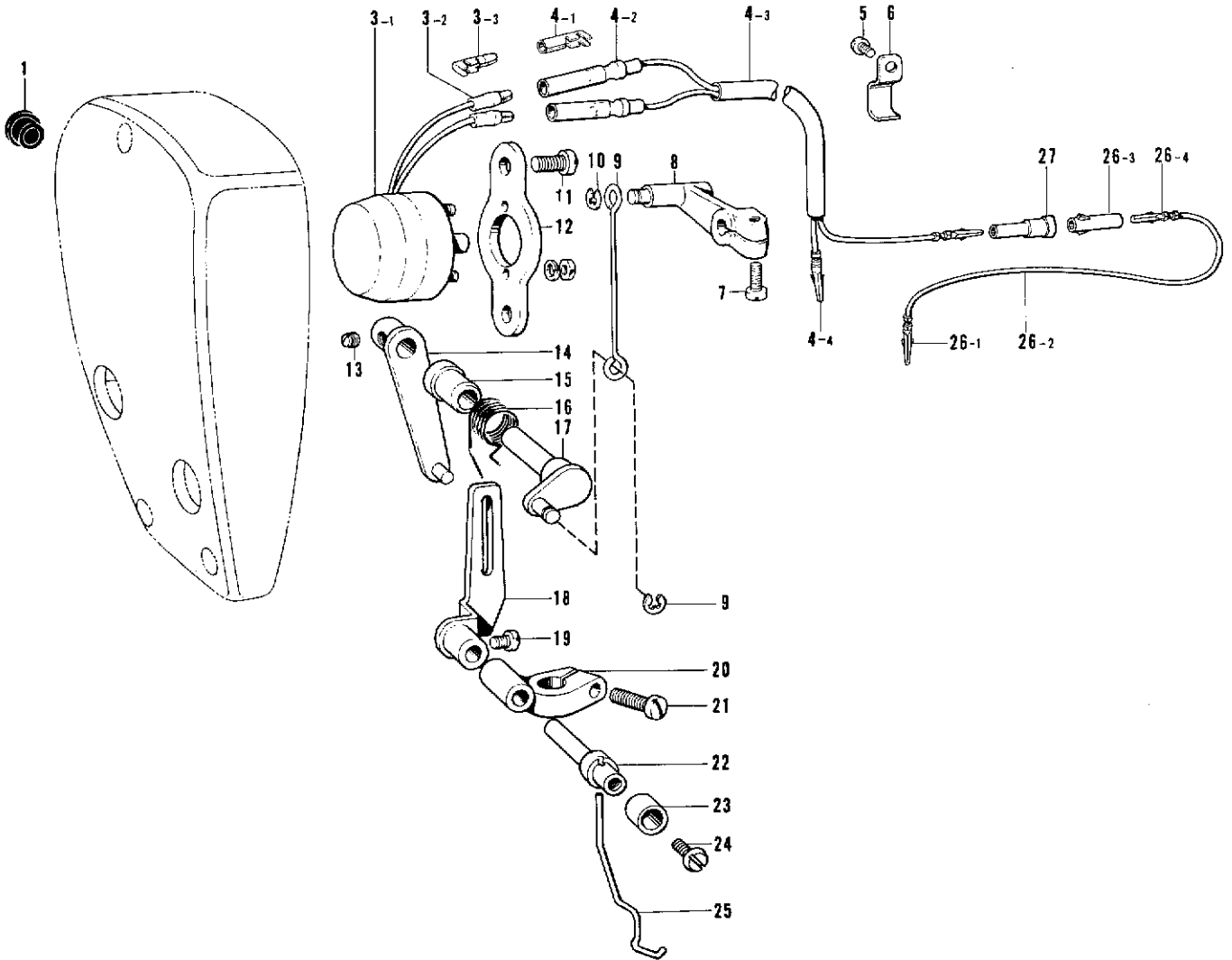
Ref. No.	Name of Parts	Q'ty	Parts No.	Assembly No.	Ref. No.	Name of Parts	Q'ty	Parts No.	Assembly No.
F- 1	Tension Release Link Assembly	1	154603-0-01		F-32	Solenoid Bracket	1	154598-0-01	
F- 2	Tension Release Wire	1	154602-0-01		F-33	Cushion	1	154599-0-00	
F- 3	Stop Ring E3	1	048030-3-42		F-34	Solenoid Lever	1	154600-0-01	
F- 4	Screw 3.57 x 6	2	009670-6-12		F-35	Nut 4.76	2	110161-0-03	
F- 5	Tension Release Wire Holder U	1	154608-0-01		F-36	Tension Release Lever	1	154601-0-01	
F- 6	Tension Release Wire Presser U	1	149135-1-01		F-37	Washer	1	155559-0-01	
F- 7	Connector 3	1	153970-0-01		F-38	Stud Screw 6.35	1	155558-0-01	
F- 8	Screw 3.57 x 6	1	001670-6-12		F-39	Screw 6.35	1	110201-0-01	
F- 9	Nylon Connector 12P	1	153969-0-00		F-40	Screw 4.37 x 6	1	014680-6-22	
F-10	Fixed Knife	1	154568-0-01		F-41	Rubber Stopper	1	154596-0-00	
F-11	Screw 3.57	1	108960-0-02		F-42	Washer	1	110367-0-01	
F-12	Lower Thread Finger	1	154569-0-01		F-43	Stop Ring E6	1	048060-3-42	
F-13	Screw 4.37 x 7	1	009680-7-12		F-44	Lever Stud	1	154593-0-01	
F-14	Thread Trimming Lever	1	154577-0-01		F-45	Nut 4.37	1	105234-0-01	
F-15	Lever Stopper	1	154578-0-00		F-46	Lever Assembly	1	154582-0-01	
F-16	Trimming Lever Spring	1	154579-0-01		F-47	Slide Block C Assembly	1	154590-0-01	
F-17	Screw 4.76 x 14	1	009711-4-12		F-48	Screw 6.35	1	100251-0-01	
F-18	Shaft Bushing	1	154581-0-01		F-49	Spring	1	154595-0-01	
F-19	Shaft	1	154580-0-01		F-50	Collar	1	154594-0-00	
F-20	Screw 4.37	1	151607-0-01		F-51	Movable Knife Holder	1	154570-0-01	
F-21	Screw 6.35	2	014771-0-22		F-52	Nut 4.37	1	102571-0-03	
F-22	Washer 5.3	2	154567-0-00		F-53	Bolt 4.37	2	154574-0-01	
F-23	Thread Trimmer Clutch	1	154566-0-01		F-54	Washer	2	100645-0-03	
F-24	Bushing	1	146080-0-00		F-55	Knife Holder Assembly	1	154571-0-01	
F-25	Tension Release Wire Ring	1	155347-0-01		F-56	Stud Screw 4.37	2	151987-0-01	
F-26	Tension Release Wire Holder D	1	154606-0-01		F-57	Thread Trimming Rod	1	154576-0-01	
F-27	Tension Release Wire Presser D	1	154607-0-01		F-58	Movable Knife	1	154575-0-01	
F-28	Screw 3.57 x 6	2	001670-6-12		F-59	Screw 4.37	2	148537-0-01	
F-29	Screw 3.57 x 8	2	009670-8-12		F-60	Cap	1	155578-0-00	
F-30	Supporter	1	140647-0-01		F-61	Screw 3.57 x 7	1	013670-7-12	
F-31	Thread Trimming Solenoid	1	154597-0-01		F-62	Washer	1	100645-0-03	

G. Quick Back Switch Mechanism



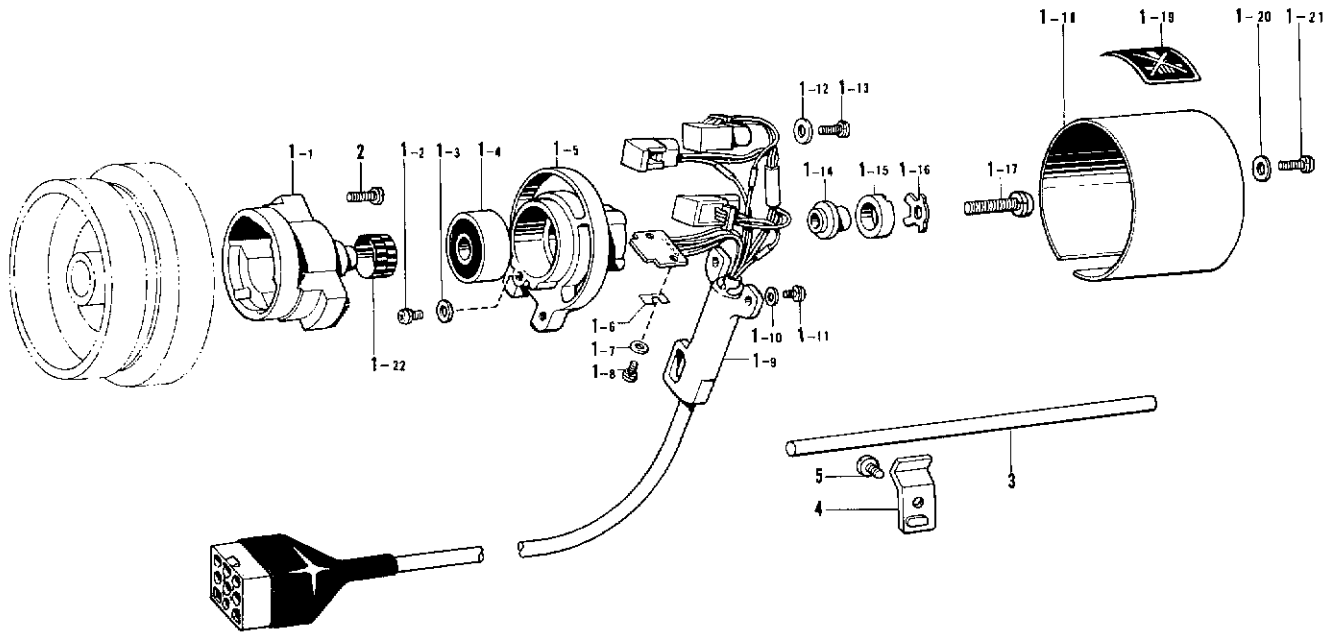
Ref. No.	Name of Parts	Q'ty	Parts No.	Assembly No.	Ref. No.	Name of Parts	Q'ty	Parts No.	Assembly No.
G- 1-1	Reverse Switch Cord	1		G-1 Switch Assembly 154206-0-00	G-12-2	Plunger	1		G-12 Reverse Solenoid Assembly 154201-0-01
G- 1-2	Terminal Pin	2	143549-0-00		G-12-3	Stopper	1	146104-0-00	
G- 1-3	Micro Switch	1	140643-0-00		G-12-4	Stop Ring E12	1	146103-0-01	
G- 2	Bushing	1	146080-0-00		G-12-5	Terminal Pin	2	143459-0-00	
G- 3	Screw 3.57 x 10	2	009671-0-12		G-13	Stop Ring E4	1	048040-3-42	
G- 4	Stop Ring E8	2	048080-3-42		G-14	Washer	1	153138-0-01	
G- 5	Reverse Switch Case	1	146120-0-02		G-15	Pin	1	153245-0-01	
G- 6	Screw 2.38	2	146124-0-01		G-16	Screw 6.35 x 18	3	009781-8-12	
G- 7	Screw 4.37 x 14	1	009681-4-12		G-17	Reverse Solenoid Bracket	1	149140-1-01	
G- 8	Actuator Pin	1	146125-0-01	G-9 Reverse Finger Assembly 146126-0-01	G-18	Screw 5 x 8	3	007500-8-12	
G- 9-1	Actuator Bar	1	146127-0-01		G-19	Screw 6.35 x 18	1	009781-8-12	
G- 9-2	Actuator	1	146128-0-00		G-20	Washer	1	149095-0-01	
G-10	Screw 5 x 6	1	007500-6-02		G-21	Solenoid Lever Assembly	1	149089-0-01	
G-11	Solenoid Cover	1	146105-0-00		G-22	Solenoid Lever Stud	1	149094-0-01	
G-12-1	Solenoid	1		G-12 154201-0-01					

H. Thread Wiper Mechanism



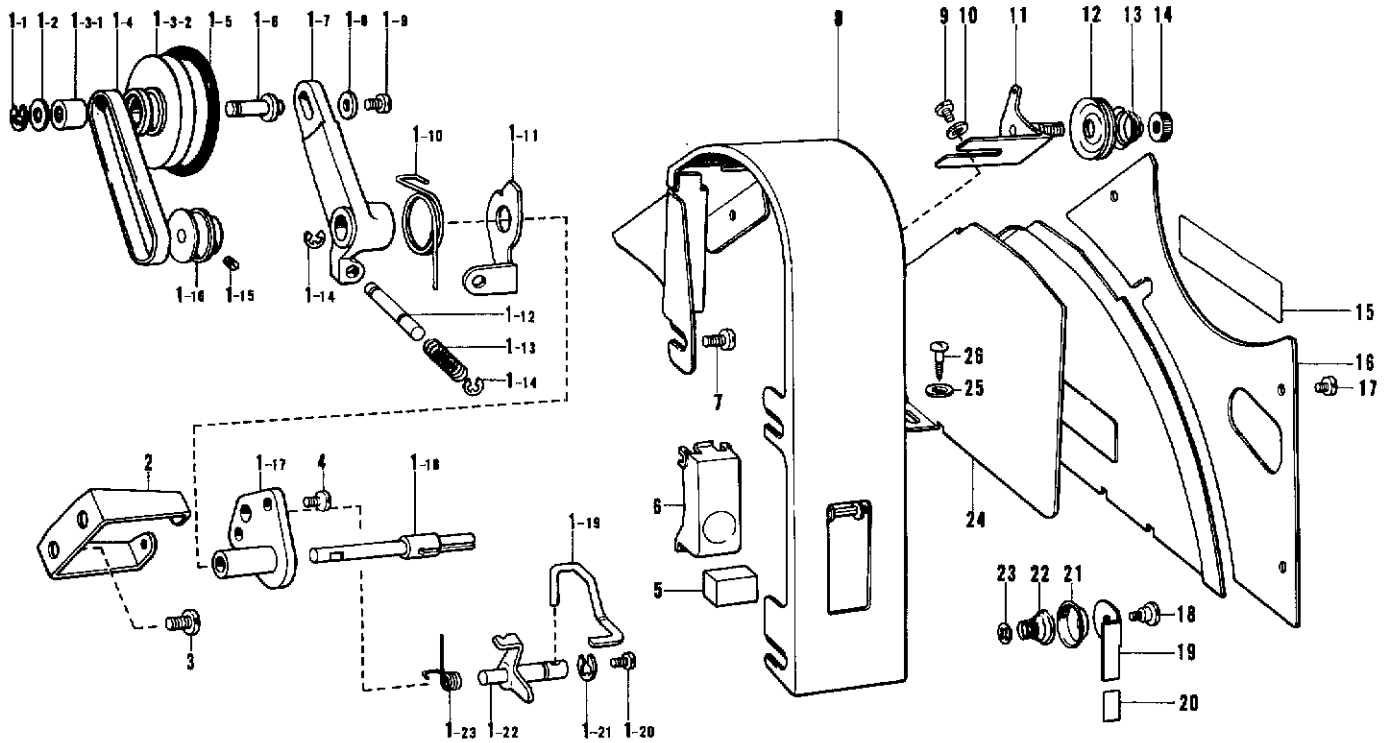
Ref. No.	Name of Parts	Q'ty	Parts No.	Assembly No.	Ref. No.	Name of Parts	Q'ty	Parts No.	Assembly No.
H- 1	Bushing	1	146080-0-00		H-14	Thread Wiper Lever	1	146090-0-01	
H- 3-1	Rotary Solenoid	1		H-3 Thread Wipper Solenoid Assembly 146082-0-00	H-15	Bushing	1	146079-0-01	
H- 3-2	Insulated Cover	2	146085-0-00		H-16	Spring	1	146089-0-01	
H- 3-3	Plug	2			H-17	Thread Wiper Crank	1	146088-0-01	
H- 4-1	Insualted Sleeve	2		H-4 Wipper W Cord Assembly 154208-0-00	H-18	Grooved Link	1	146091-0-01	
H- 4-2	Receptacle	2	146097-0-00		H-19	Screw 3.57	1	111443-0-03	
H- 4-3	Thread Wipper Cord	1			H-20	Thread Wiper Supporter	1	146093-0-01	
H- 4-4	Terminal Pin	2	143549-0-00		H-21	Screw 4.37 x 12	1	009681-2-12	
H- 5	Screw 3.57 x 6	3	009670-6-12		H-22	Thread Wiper Stud	1	146092-0-01	
H- 6	Tube Holder L	3	142268-0-01		H-23	Thread Wiper Stud Collar	1	146288-0-01	
H- 7	Screw 3.57 x 10	1	009671-0-13		H-24	Screw 3.57 x 5	1	001670-5-12	
H- 8	Solenoid Link	1	146086-0-01		H-25	Thread Wiper	1	146094-0-01	
H- 9	Wire Link	1	146087-0-01		H-26-1	Terminal Pin	1	143549-0-00	H-26 W Cord S Assembly 154210-0-00
H-10	Stop Ring E2.5	2	048025-3-42		H-26-2	W Cord S	1		
H-11	Screw 4.37 x 8	2	009680-8-12		H-26-3	Connector	1	146194-0-00	
H-12	Solenoid Set Plate	1	146081-0-01		H-26-4	Terminal Pin	1	143548-0-00	
H-13	Screw 4.37	2	102716-0-04		H-27	Connector	1	146046-0-00	

J. Synchronizer



Ref. No.	Name of Parts	Q'ty	Parts No.	Assembly No.	Ref. No.	Name of Parts	Q'ty	Parts No.	Assembly No.
J- 1- 1	Synchronizer Shaft Assembly	1		J-1 Synchronizer #8 222379-0-01	J- 1-14	Magnet Stand	1	219557-0-00	J-1 Synchronizer #8 222379-0-01
J- 1- 2	Screw 3 x 6D	1	215083-0-01		J- 1-15	Magnet 12 x 18.7 x 6	1	219558-0-00	
J- 1- 3	Washer 3	1	025030-3-35		J- 1-16	Presser Plate	1	219559-0-01	
J- 1- 4	Bearing 6201VV	1			J- 1-17	Screw 6 x 2.5D	1	221421-0-01	
J- 1- 5	Hole IC Holder #3	1			J- 1-18	Synchronizer Cover #3	1		
J- 1- 6	Adjusting Plate	3	219696-0-00		J- 1-19	Lavel #3	1		
J- 1- 7	Washer 3	2	025030-1-35		J- 1-20	Washer 4	2	025040-3-35	
J- 1- 8	Screw 3 x 6D	2	215083-0-01		J- 1-21	Screw 4 x 10D	2	215080-0-01	
J- 1- 9	Hole IC Code #4	1	222380-0-01		J- 1-22	Label	1		
J- 1-10	Washer 4	2	025040-1-35		J- 2	Screw 4.76 x 14	2	009711-4-12	
J- 1-11	Screw 4 x 10D	2	215080-0-01		J- 3	Synchronizer Holder Bar #2	1	218944-0-01	
J- 1-12	Washer 4	3	025040-3-35		J- 4	Holder	1	216332-0-01	
J- 1-13	Screw 4 x 12D	3	217093-0-01		J- 5	Screw 6.35 x 14	1	009781-4-12	

K. Bobbin Winder Mechanism



Ref. No.	Name of Parts	Q'ty	Parts No.	Assembly No.	Ref. No.	Name of Parts	Q'ty	Parts No.	Assembly No.
K- 1- 1	Stop Ring E5	1	048050-3-42	K-1-3 Driving Pulley Assembly 183087-0-01	K- 3	Screw 5.95 x 8	2	009760-8-13	
K- 1- 2	Washer 6.35	1	025770-2-32		K- 4	Screw 4.37 x 6	2	009680-6-12	
K- 1-3-1	Needle Bearing	1	147568-0-01		K- 5	Cushion	1	151608-0-01	
K- 1-3-2	Bobbin Winder Driving Pulley	1	148050-0-00		K- 6	Push Button	1	145682-0-01	
K- 1- 4	V Belt	1	145684-0-01		K- 7	Screw 5.95 x 8	3	009760-8-13	
K- 1- 5	Rubber Ring	1	145558-0-00		K- 8	Belt Cover Assembly	1	145567-0-01	
K- 1- 6	Bobbin Winder Shaft	1	148049-0-01		K- 9	Screw 3.57 x 6	2	001670-6-12	
K- 1- 7	Driving Pulley Supporter	1	148044-0-01		K-10	Washer 3.5	2	025350-3-32	
K- 1- 8	Washer 3.5	1	025350-3-32		K-11	Bobbin Winder Guide Bracket Assembly	1	145571-1-01	
K- 1- 9	Screw 3.57 x 6	1	009670-6-12		K-12	Tension Disc	2	145446-0-01	
K- 1-10	Return Spring	1	148045-0-01		K-13	Tension Spring	1	100401-0-01	
K- 1-11	Bobbin Winder Presser Plate	1	147538-0-01		K-14	Tension Control Nut	1	100136-0-01	
K- 1-12	Bobbin Winder Button Stud	1	147540-0-01		K-15	Name Plate	1	119512-0-01	
K- 1-13	Spring	1	147539-0-01		K-16	Belt Cover Cap	1	147548-0-01	
K- 1-14	Stop Ring E3	2	048030-3-42		K-17	Screw 4.37 x 5	2	009680-5-12	
K- 1-15	Screw 3.57 x 7	2	013670-7-12		K-18	Stud Screw 4.37	1	118764-0-02	
K- 1-16	Bobbin Winder Belt Wheel	1	148048-0-01		K-19	Knife	1	146198-0-01	
K- 1-17	Bobbin Winder Bracket	1			K-20	Cushion 7 x 12	1	146289-0-01	
K- 1-18	Bobbin Winder Shaft	1	148047-0-01		K-21	Disc	1	146199-0-01	
K- 1-19	Bobbin Presser	1	147547-0-01		K-22	Spring	1	144505-0-00	
K- 1-20	Screw 3.57 x 6	1	009670-6-12		K-23	Stop Ring CS4	1	146200-0-01	
K- 1-21	Stop Ring E5	1	048050-3-42		K-24	Belt Cover Lower	1	145570-0-01	
K- 1-22	Cam Shaft	1	147542-0-01		K-25	Washer 5.56	2	025750-1-32	
K- 1-23	Cam Stud Spring	1	148046-0-01	K-26	Screw 5.5 x 20	2	100666-0-02		
K- 2	Bobbin Winder Bracket	1	148051-0-01						

* -40373, -40383 Type Specifications (Fully Enclosed Type Bobbin Winder)

Parts No.	Ref. No.	Remark	Parts No.	Ref. No.	Remark	Parts No.	Ref. No.	Remark	Parts No.	Ref. No.	Remark
110201-0-01	F-39		144874-0-01	E-20- 8		146087-0-01	H- 9		148965-0-00	B-21	
110367-0-01	B-20		144875-0-01	E-20- 3		146088-0-01	H-17		149085-0-01	C-21	
	F-42		144876-0-01	E-20- 2		146089-0-01	H-16		149086-0-01	C-29	
111443-0-03	H-19		144878-0-01	E-20- 4		146090-0-01	H-14		149087-0-01	C-28	
111462-0-01	B-10		145446-0-01	A-32- 6		146091-0-01	H-18		149088-0-01	C-27	
111463-0-01	B- 7			K-12		146092-0-01	H-22		149089-0-01	G-21	
111466-0-01	D- 5			Z-11-10		146093-0-01	H-20		149094-0-01	G-22	
111863-0-01	B-19		145454-0-01	A-24		146094-0-01	H-25		149095-0-01	G-20	
111865-0-01	A-11		145455-0-02	A-17		146097-0-00	H- 4- 2		149135-1-01	F- 6	
112467-0-02	E-20- 1		145459-1-01	B-24		146103-0-01	G-12- 4		149140-1-01	G-17	
112525-0-00	Z-13		145461-1-01	B-35		146104-0-00	G-12- 3		149578-0-00	E-24- 6	
114294-0-01	A-32- 3		145465-0-01	B- 8- 5		146105-0-00	G-11		149580-0-01	E-24- 4	
114561-0-01	B-63- 3		145468-0-01	B- 5		146120-0-02	G- 5		150106-0-01	Z-30- 6	
114966-0-01	D-29- 7		145472-0-01	D- 3		146124-0-01	G- 6		150139-0-01	Z-30-14	
114967-0-01	D-29- 5		145474-0-01	D-16		146125-0-01	G- 8		150150-0-01	Z-30	
115663-0-01	C-32- 2		145475-1-01	D-22		146126-0-01	G- 9		150172-0-01	Z-30- 5	
116112-0-01	A-35		145478-0-01	D-19		146194-0-00	H-26- 3		150173-0-01	Z-30- 6- 1	
116662-0-03	C-30		145479-0-01	D-27		146196-0-01	E-21		150177-0-01	Z-30-13	
116794-0-01	E-18		145480-0-01	D-26		146198-0-01	K-19		150179-0-01	Z-30- 7	
117132-0-01	B-58		145481-0-01	D-28		146199-0-01	K-21		150180-0-00	Z-30-10	
	Z-10		145482-0-01	D-10		146200-0-01	K-23		150181-0-01	Z-30-14- 2	
117963-0-01	Z-11		145483-0-01	D-13		146253-0-00	E-16		150182-0-00	Z-30- 9	
117969-0-01	Z-11-16		145486-0-01	C- 3- 2		146288-0-01	H-23		150189-0-01	Z-30-14- 1	
117970-0-01	Z-11- 5		145502-0-01	C- 9		146289-0-01	K-20		150192-0-01	Z-30- 4	
118558-0-01	C-35		145506-0-01	C- 7		146293-0-01	E-24-13		150202-0-01	Z-30- 6- 2	
118559-0-01	C-43		145516-0-01	B-41		146314-0-00	E-10		150340-0-00	C-32- 9	
118761-0-00	B-51		145519-0-01	A-32- 4		146327-0-01	B-17		150342-0-01	C-32- 5	
118762-0-00	B-50		145520-0-01	A-32- 8		146333-0-01	B-16		150384-0-01	a- 1	
118764-0-02	K-18		145522-0-01	A-28		146367-0-01	E-24-10		150551-0-00	A-31	
118837-0-01	Z- 3		145524-0-01	A-33		147496-0-00	E- 9		151074-0-01	E-14	
119512-0-01	K-15		145527-0-00	A- 5		147500-0-00	C- 2		151594-0-01	B- 2	
122771-0-01	B-63- 2		145528-0-00	A-18		147502-0-00	C- 3- 3		151601-0-02	C-32-13	
122991-0-01	Z- 1		145529-0-00	E-11		147506-0-01	C-32- 8		151602-0-02	A-13	
126863-0-00	Z-30- 8		145534-0-01	E-19		147508-0-01	C-32- 4		151603-0-02	B-52	
140004-0-01	B- 8- 4		145543-0-01	E- 8		147509-0-01	C-17		151604-0-01	C- 4- 3	
140378-0-01	B-38		145547-0-01	E- 5		147510-0-01	C-42- 1		151607-0-01	B-48	
140381-0-01	B-45		145558-0-00	K- 1- 5		147511-0-01	B-25			F-20	
140407-0-01	D- 6		145567-0-01	K- 8		147514-0-01	D- 7		151608-0-01	K- 5	
140480-0-01	E-24- 5		145570-0-01	K-24		147538-0-01	K- 1-11		151987-0-01	F-56	
140503-0-01	D-29- 8		145571-0-01	K-11		147539-0-01	K- 1-13		153037-0-01	D- 1	
140518-0-01	E-24- 2		145573-0-00	Z-26		147540-0-01	K- 1-12		153131-0-01	B-55	
140553-1-02	B- 3		145580-0-01	D-20		147542-0-01	K- 1-22		153138-0-01	G-14	
140643-0-00	G- 1- 3		145624-0-00	B-14		147547-0-01	K- 1-19		153168-0-01	C-12	
140647-0-01	F-30		145682-0-01	K- 6		147548-0-01	K-16		153190-0-01	B-64	
140726-0-00	B-30		145684-0-01	K- 1- 4		147549-0-01	K- 1		153245-0-01	G-15	
140885-0-04	A-10		145688-0-00	B-13		147551-1-01	B- 8		153483-0-01	A-36	
141207-0-01	D- 9		145689-0-01	D-17		147557-0-01	A-15		153969-0-00	F- 9	
141208-0-01	D- 8		145691-0-01	D-24		147568-0-01	K- 1- 3- 1		153970-0-01	F- 7	
142268-0-01	H- 6		145737-0-01	E- 7		147573-0-01	C- 4		154201-0-01	G-12	
142274-0-01	A-38		145751-0-01	B-61		147598-0-01	C-19		154206-0-00	G- 1	
142443-0-01	Z- 2		145945-0-01	Z-20		147628-0-01	C- 3		154208-0-00	H- 4	
142708-0-00	B-39		145946-0-01	Z-19		147764-0-01	B-33		154210-0-00	H-26	
142709-0-00	B-43		146003-1-01	Z-15		147767-0-01	C-32- 3		154550-0-01	D-25	
142721-0-01	Z- 6		146004-0-01	Z-16		147855-0-01	Z-23- 8		154552-0-01	B-62	
142746-0-02	C-14		146036-1-01	E-24-12		147856-0-01	Z-23- 7		154555-0-01	E-17	
142747-0-02	C-15		146037-0-01	E-24- 7		147899-0-11	Z-23		154559-0-01	A-14- 1	
143459-0-00	G-12- 5		146038-0-01	E-24-11		148044-0-01	K- 1- 7		154560-0-01	A-14- 3	
143548-0-00	H-26- 4		146039-0-01	D-29- 1		148045-0-01	K- 1-10		154563-0-01	A-12	
143549-0-00	G- 1- 2		146040-0-01	E-24- 1		148046-0-01	K- 1-23		154566-0-01	F-23	
	H- 4- 4		146046-0-00	H-27		148047-0-01	K- 1-18		154567-0-00	F-22	
143549-0-00	H-26- 1		146049-0-01	Z- 5		148048-0-01	K- 1-16		154568-0-01	F-10	
143882-0-01	Z-21		146078-0-02	A- 4		148049-0-01	K- 1- 6		154569-0-01	F-12	
143910-0-01	Z-22		146079-0-01	H-15		148050-0-00	K- 1- 3- 2		154570-0-01	F-51	
144222-0-01	Z-31		146080-0-00	F-24		148051-0-01	K- 2		154571-0-01	F-55	
144504-0-01	A-14- 2			G- 2		148350-1-01	B-59		154574-0-01	F-53	
144505-0-00	K-22			H- 1		148537-0-01	F-59		154575-0-01	F-58	
144615-0-01	Z-29		146081-0-01	H-12		148822-0-01	B-36		154576-0-01	F-57	
144741-0-01	A-32- 2		146082-0-00	H- 3		148823-0-01	B-36		154577-0-01	F-14	
144869-0-01	E-20- 7		146085-0-00	H- 3- 2		148848-0-01	E-20- 5		154578-0-00	F-15	
144872-0-01	E-22		146086-0-01	H- 8		148849-0-01	E-20- 6		154579-0-01	F-16	

DIFFERENT PARTS LIST

Ref. No.	Name of Parts	Sub-class Specification	-403 			
			72	73	82	83
B-36	Pulley		148823-0-01	148822-0-01	148823-0-01	148822-0-01
Z-11	Bobbin Winder Assembly		117963-0-01	/	117963-0-01	/
Z-12	Screw 5.5 x 20		100666-0-02	/	100666-0-02	/
Z-23	Belt Cover Assembly		147899-0-11	/	147899-0-11	/
Z-30	Cotton Stand Assembly 2		150150-0-01		/	

INDEX

Parts No.	Ref. No.	Remark	Parts No.	Ref. No.	Remark	Parts No.	Ref. No.	Remark	Parts No.	Ref. No.	Remark	
001670-5-12	H-24		013710-5-12	D-11		100022-0-04	E-24- 8		102630-0-01	B-11		
001670-6-12	F- 8		013760-6-10	B-29		100032-0-04	B-65		102716-0-01	B-54		
	F-28			B-34		100080-0-03	C-32- 6		102716-0-04	H-13		
	K- 9			B-40		100090-0-04	A-25		103950-0-03	A-30		
001671-0-12	D- 2			D- 4- 2		100128-0-02	D-14		104449-0-01	A- 2		
007500-6-02	G-10		013761-4-10	B-37		100134-0-01	A-32- 7			A- 8		
007500-8-12	G-18			B-44		100136-0-01	A-32- 9		104450-0-01	A- 6		
007670-5-13	C-26		013781-0-12	B-15			K-14		104451-0-01	A-20		
009670-4-12	B-32		014680-6-22	F-40		100251-0-01	B-22		104464-0-01	B-23		
009670-5-12	E- 2		014771-0-22	F-21			B-31- 2		104520-0-00	B-47		
009670-5-13	E- 6		017502-8-03	Z-30- 2			B-38- 1		104547-0-01	E-13		
009670-6-12	A-29			Z-30-15			B-38- 4		104555-0-01	B-27		
	B-12		017762-0-13	D-29- 2			B-45- 2		104564-0-01	C-22		
	F- 4		021500-1-03	Z-30- 6- 3			B-45- 4		104567-0-01	C-42- 3		
	H- 5			Z-30-12			C-34		104619-0-02	D-29- 3		
	K- 1- 9		021660-1-02	A-34			C-39		104689-0-01	C- 6		
	K- 1-20		025030-1-35	J- 1- 7			C-41			C-18		
009670-8-12	A-16		025030-3-35	J- 1- 3			C-46		104821-0-01	A- 7		
	C-36		025040-1-35	J- 1-10			F-48		104829-1-01	A-40		
	C-44		025040-3-35	J- 1-12			100257-0-10	E-15		104830-1-01	A-39	
	E-20- 9			J- 1-20			100260-0-01	B- 6		104832-0-01	A-19	
	F-29		025050-2-33	Z-30- 3				C- 1- 1		104847-0-01	C-33	
009671-0-12	A- 1		025100-1-32	C-24			100265-0-31	B- 1			C-45	
	G- 3		025350-1-32	a- 2			100265-4-31	Z- 9		104848-0-01	C-38	
009671-0-13	H- 7		025350-3-32	K- 1- 8			100328-0-01	C- 8			C-40	
009671-8-12	A- 3			K-10		100334-0-01	C-32- 7		104885-0-01	E-24- 9		
009679-3-12	Z-11-20		025680-2-34	Z-18		100366-0-02	Z-11- 2		104908-0-01	C-32-11		
009680-5-12	K-17		025750-1-32	K-25		100367-0-01	B-57		105234-0-01	F-45		
009680-6-12	K- 4			Z-23-3		100398-0-01	A-32- 5		107149-0-01	B-18		
009680-6-13	Z-17		025770-2-32	K- 1- 2		100401-0-01	K-13		107155-0-01	B-46		
009680-7-12	A- 9		028050-2-43	Z-30-11			Z-11- 9		107407-0-03	B-56		
	F-13		028680-2-42	Z-23- 5		100402-0-04	A-32- 1		107428-0-01	C- 7- 2		
009680-7-13	E-23		031452-2-03	Z-30-16		100463-0-01	D-29- 4		108520-0-01	A-21		
009680-8-12	H-11		048025-3-42	H-10		100477-0-01	Z-27		108549-0-01	C-11		
	Z-23- 4		048030-3-42	D-18		100573-0-01	B- 4		108801-0-01	C-32-10		
009681-2-12	C-37			F- 3		100645-0-03	F-54		108802-0-01	C-42- 2		
	H-21			K- 1-14			F-62		108804-0-01	E- 3		
009681-4-12	G- 7		048040-3-42	C-32- 1		100657-0-01	Z-11- 6		108809-0-01	B- 9		
009681-6-12	C-42- 4- 4			D-21		100659-0-01	Z-11-14		108960-0-02	F-11		
009710-8-12	C-31			G-13		100661-0-01	Z-11-18		109147-0-01	C- 5		
009711-4-12	C-20- 2		048050-3-42	K- 1- 1		100662-0-01	Z-11-22		109151-1-01	C-10		
	F-17			K- 1-21		100666-0-02	K-26		109152-0-01	C-32-12		
	J- 2		048060-3-42	F-43			Z-12		109153-0-01	C-16		
009760-8-13	K- 3		048080-3-42	C-23			Z-23- 2		109173-0-01	B-60		
	K- 7			G- 4		100887-0-01	Z- 8		109405-0-01	E- 1- 2		
009781-4-12	J- 5		081001-6-70	D-12		101487-0-00	B-28			E- 4		
009781-8-12	G-16			D-15		101572-1-01	Z- 4		109714-0-00	Z-14		
	G-19		081002-6-70	B-26		101706-0-03	B-42- 2		109763-0-02	D-23		
013670-7-12	F-61		081007-0-70	E-24- 3			B-49- 2		110087-0-01	D-29- 6		
	K- 1-15		081014-6-70	E-12		102571-0-03	F-52		110161-0-03	F-35		

